



US00D862732S

(12) **United States Design Patent** (10) **Patent No.:** **US D862,732 S**
Menon et al. (45) **Date of Patent:** **** Oct. 8, 2019**

(54) **TOP FOR A DIALYSIS RECHARGER CABINET**

(56) **References Cited**

(71) Applicant: **Medtronic, Inc.**, Minneapolis, MN (US)
(72) Inventors: **Kanjimpuredathil Muralikrishna Menon**, Bangalore (IN); **Kaustubh R. Patil**, Bangalore (IN); **Mahesh Parameswaran**, Bangalore (IN); **Ramkumar Jeyachandran**, Bangalore (IN); **Rohit Kumar Narula**, Dehra Dun (IN)

U.S. PATENT DOCUMENTS

D714,456 S *	9/2014	Lura	D24/185
D721,815 S *	1/2015	Lura	D24/185
D777,932 S *	1/2017	Lura	D24/185
D778,073 S *	2/2017	Sandgrund	D6/327
D812,770 S *	3/2018	Menon	D24/232
D818,605 S *	5/2018	Menon	D24/232

* cited by examiner

Primary Examiner — Wan Laymon
Assistant Examiner — Mark Booker

(73) Assignee: **Medtronic, Inc.**, Minneapolis, MN (US)

(74) *Attorney, Agent, or Firm* — Kenneth Collier; Roger Hahn

(**) Term: **15 Years**

(57) **CLAIM**

(21) Appl. No.: **29/635,419**

The ornamental design for a top for a dialysis recharger cabinet, as shown and described.

(22) Filed: **Jan. 31, 2018**

DESCRIPTION

Related U.S. Application Data

(62) Division of application No. 29/564,748, filed on May 16, 2016, now Pat. No. Des. 812,770.

(51) **LOC (12) Cl.** **24-00**

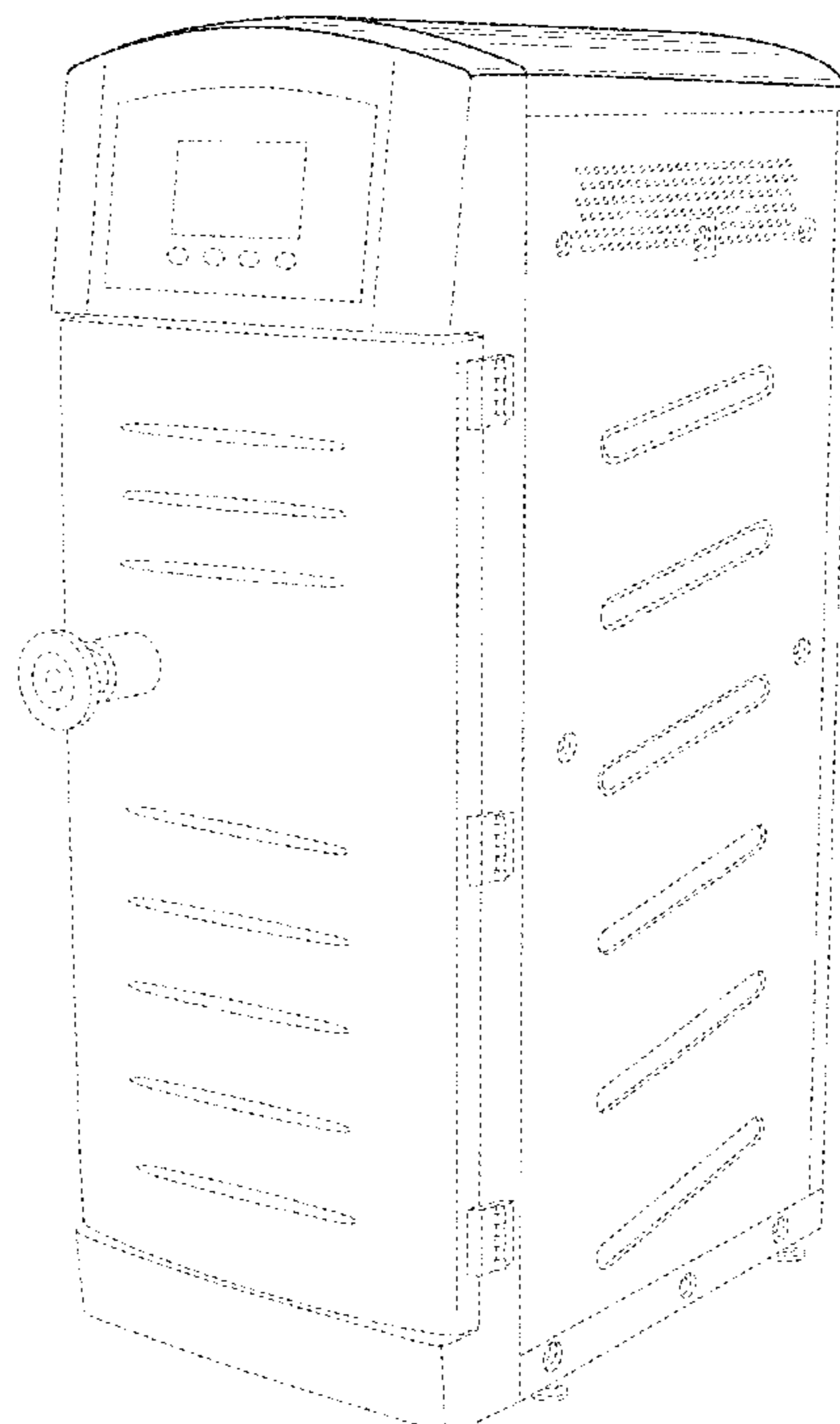
(52) **U.S. Cl.**
USPC **D24/232**

(58) **Field of Classification Search**
USPC D24/232, 170–171, 177, 185–186, 184, D24/231, 169; D6/663–664, 703, 703.1, D6/703.5, 705.1, 327
CPC A61L 2/04; B01D 15/08
See application file for complete search history.

FIG. 1 is a perspective view of the top for a dialysis recharger cabinet;
FIG. 2 is a front view thereof;
FIG. 3 is a rear view thereof;
FIG. 4 is a left side view thereof;
FIG. 5 is a right side view thereof;
FIG. 6 is a top view thereof; and,
FIG. 7 is a bottom view thereof.

The broken lines shown in the figures are included for the purpose of illustrating portions of the top for a dialysis recharger cabinet and form no part of the claimed design.

1 Claim, 7 Drawing Sheets



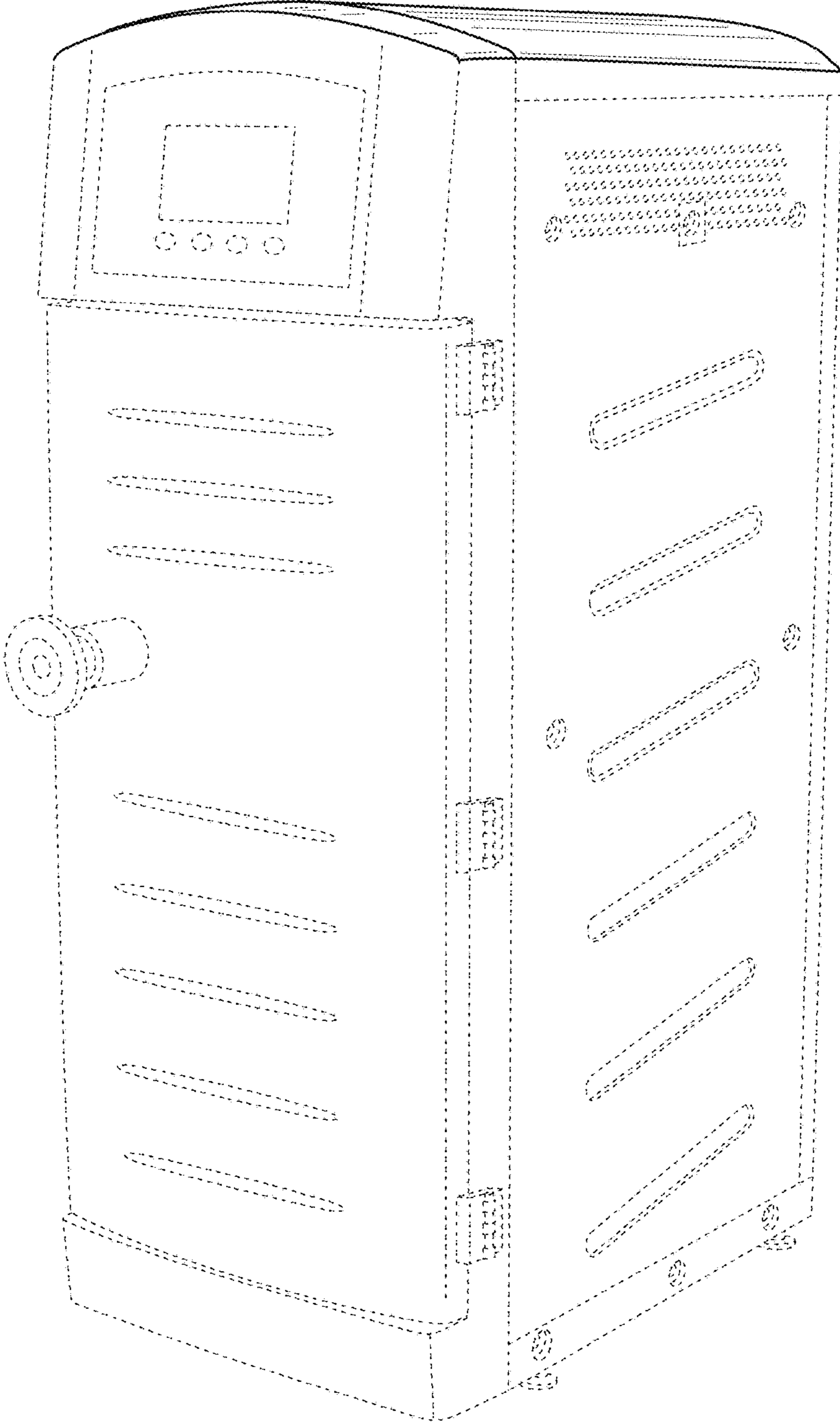


FIG. 1

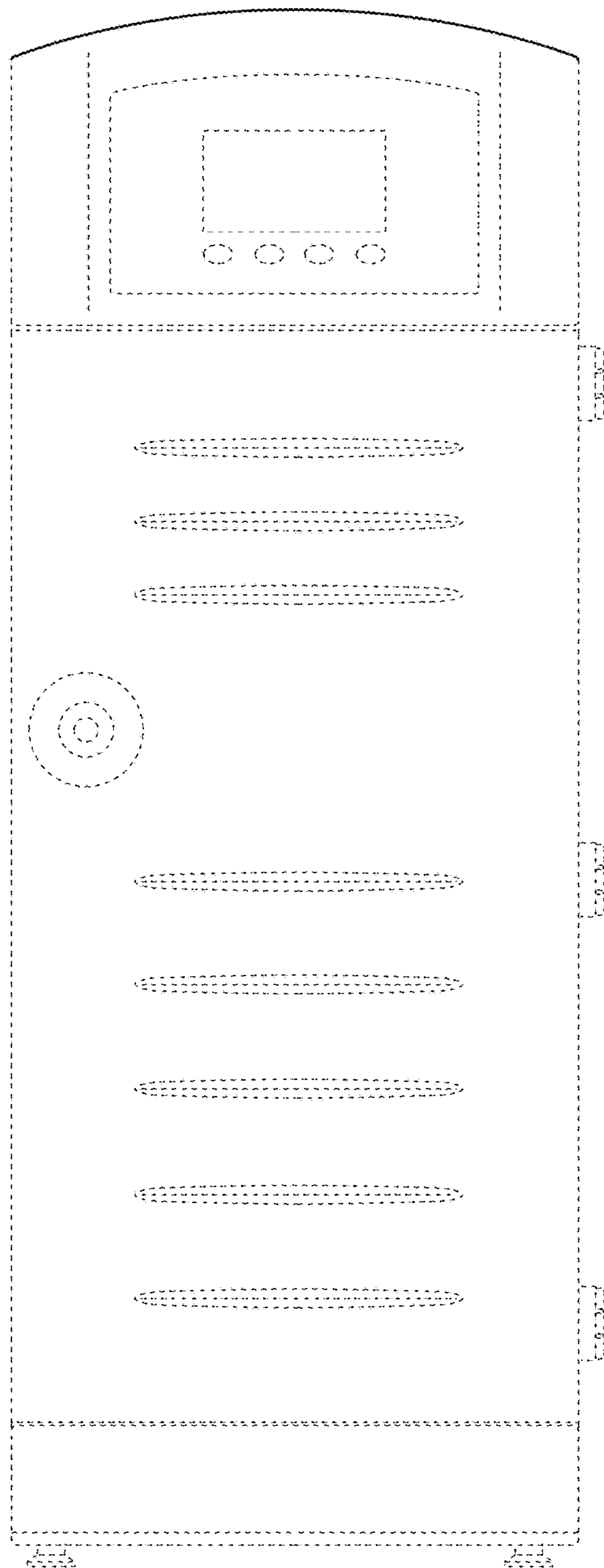


FIG. 2

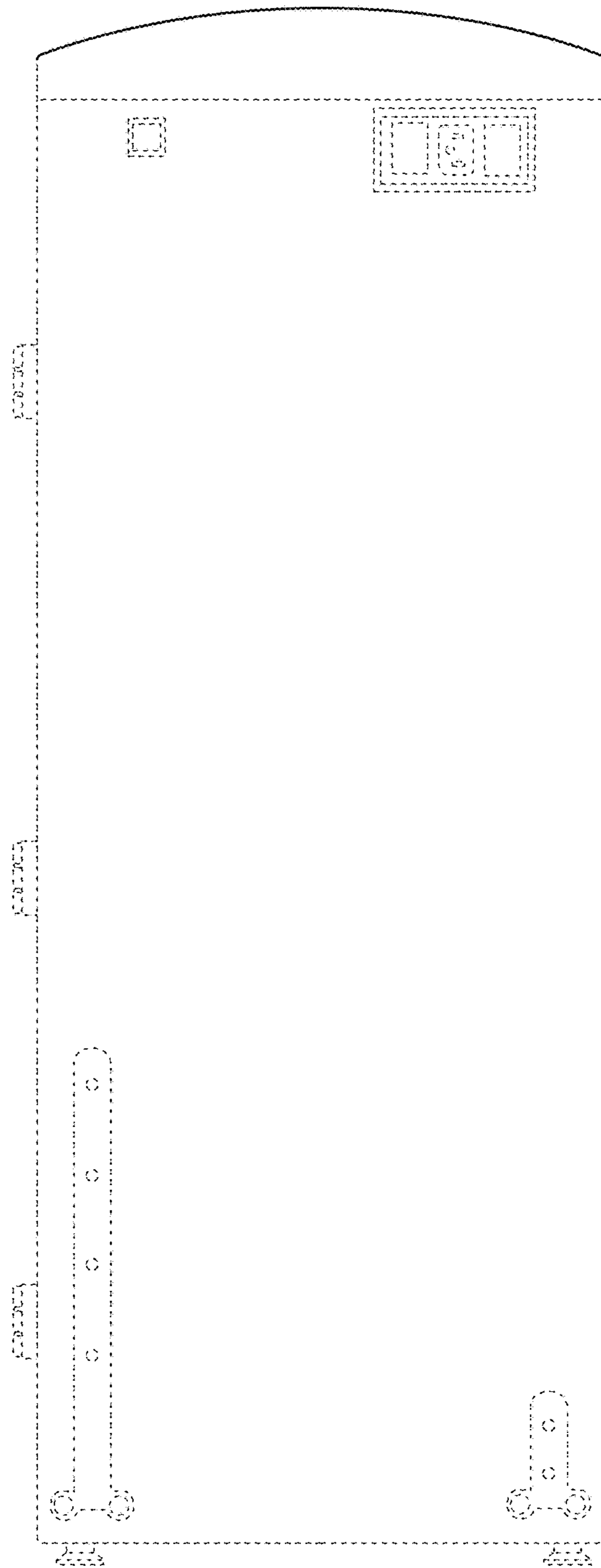


FIG. 3

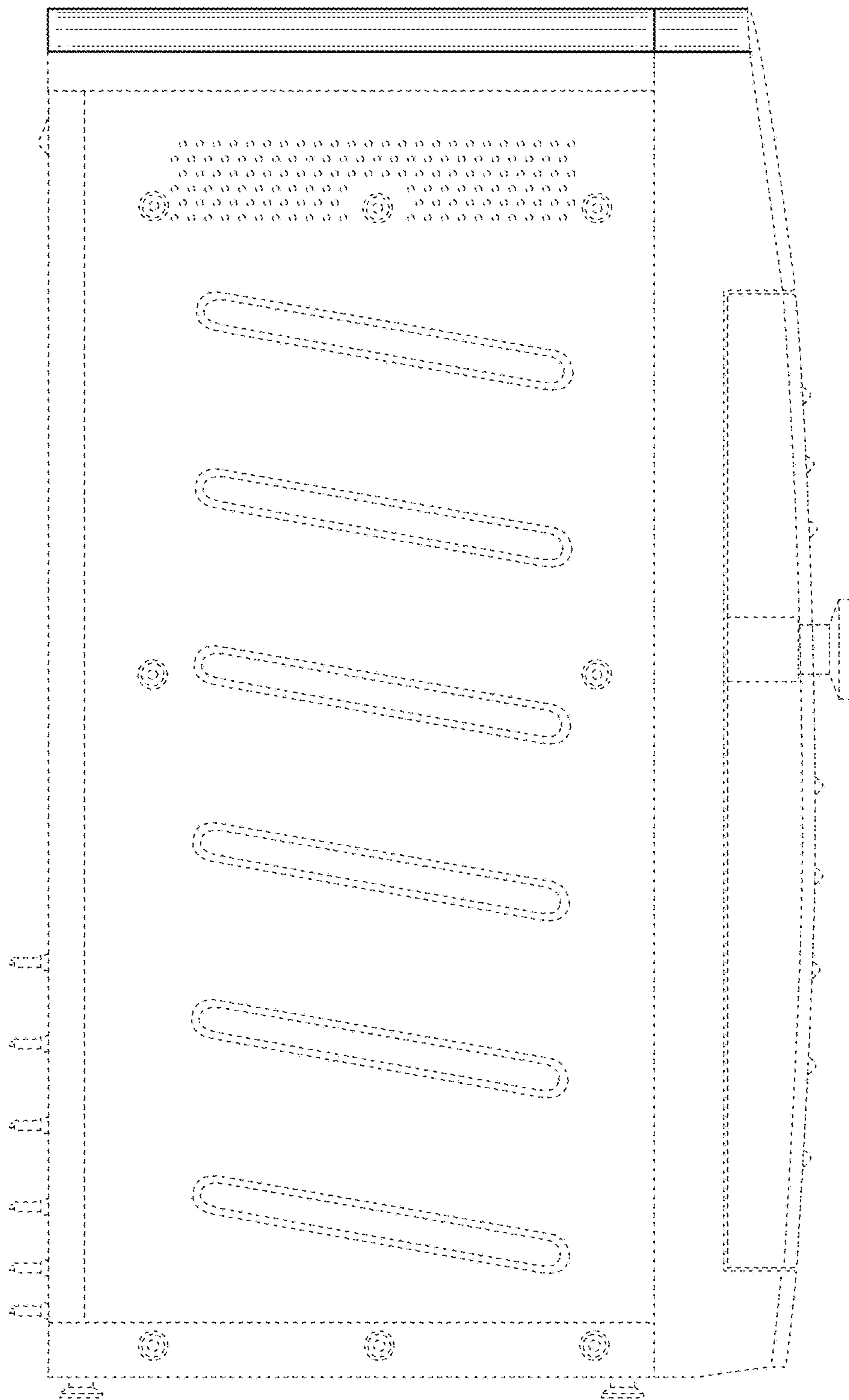


FIG. 4

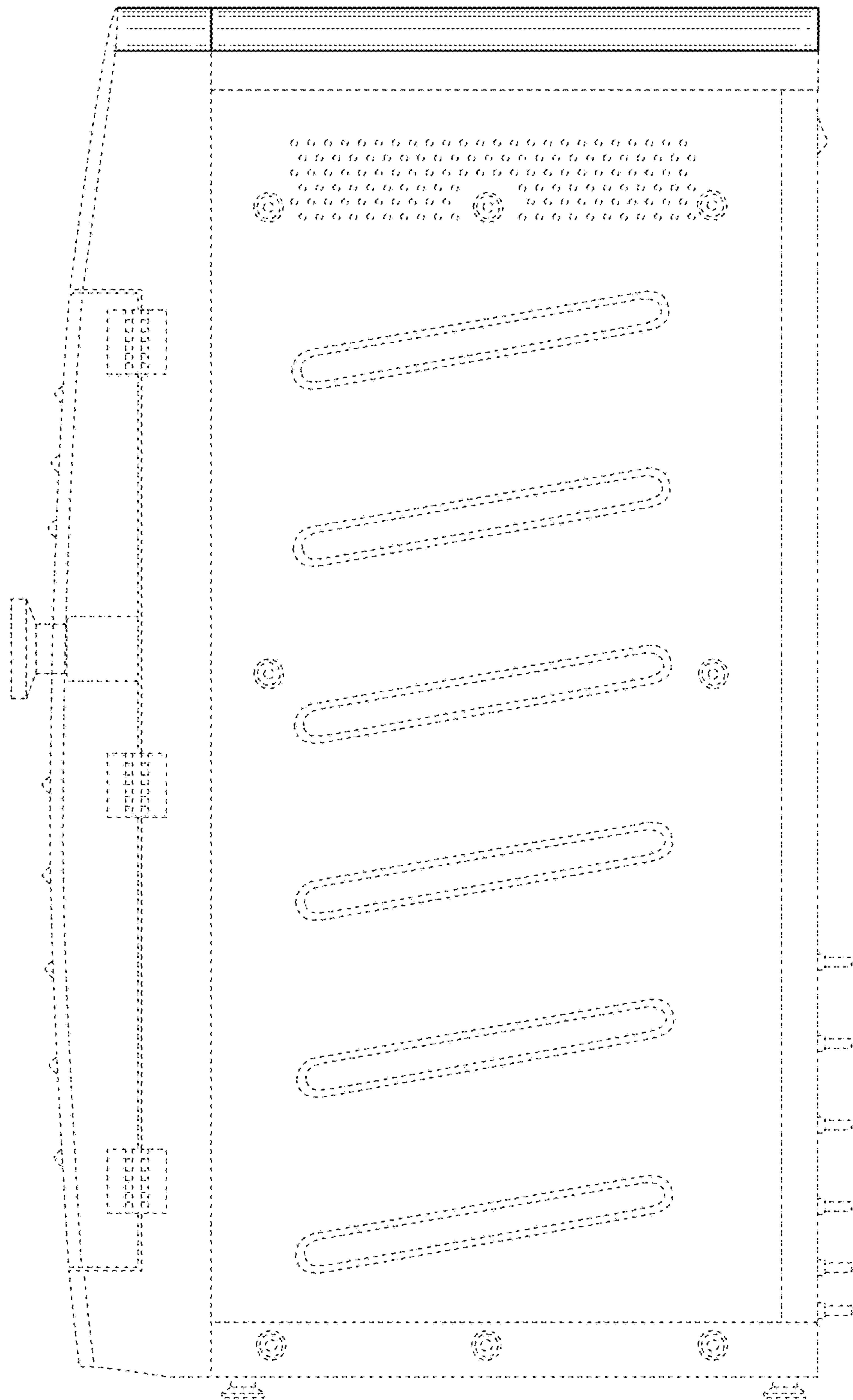


FIG. 5

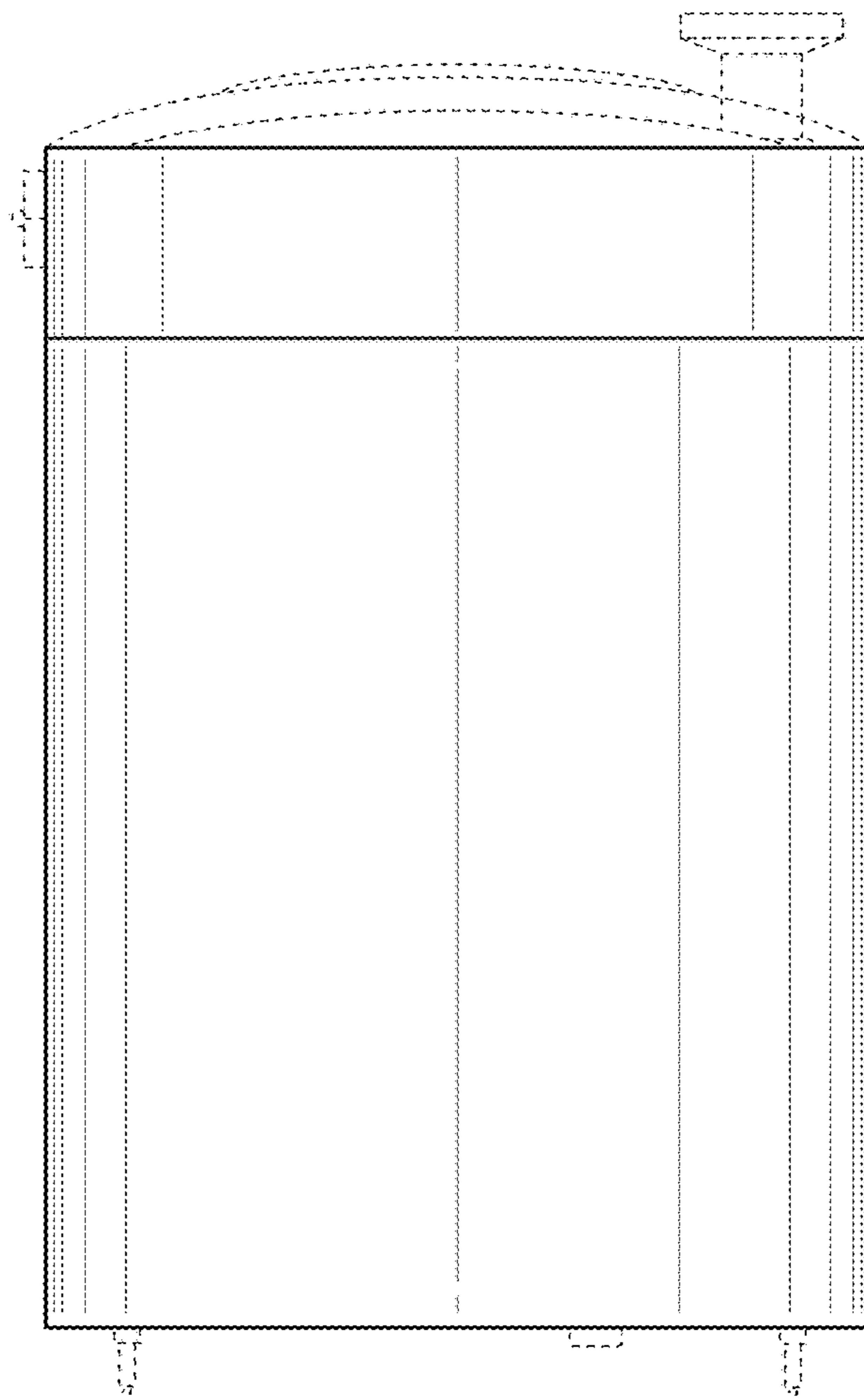


FIG. 6

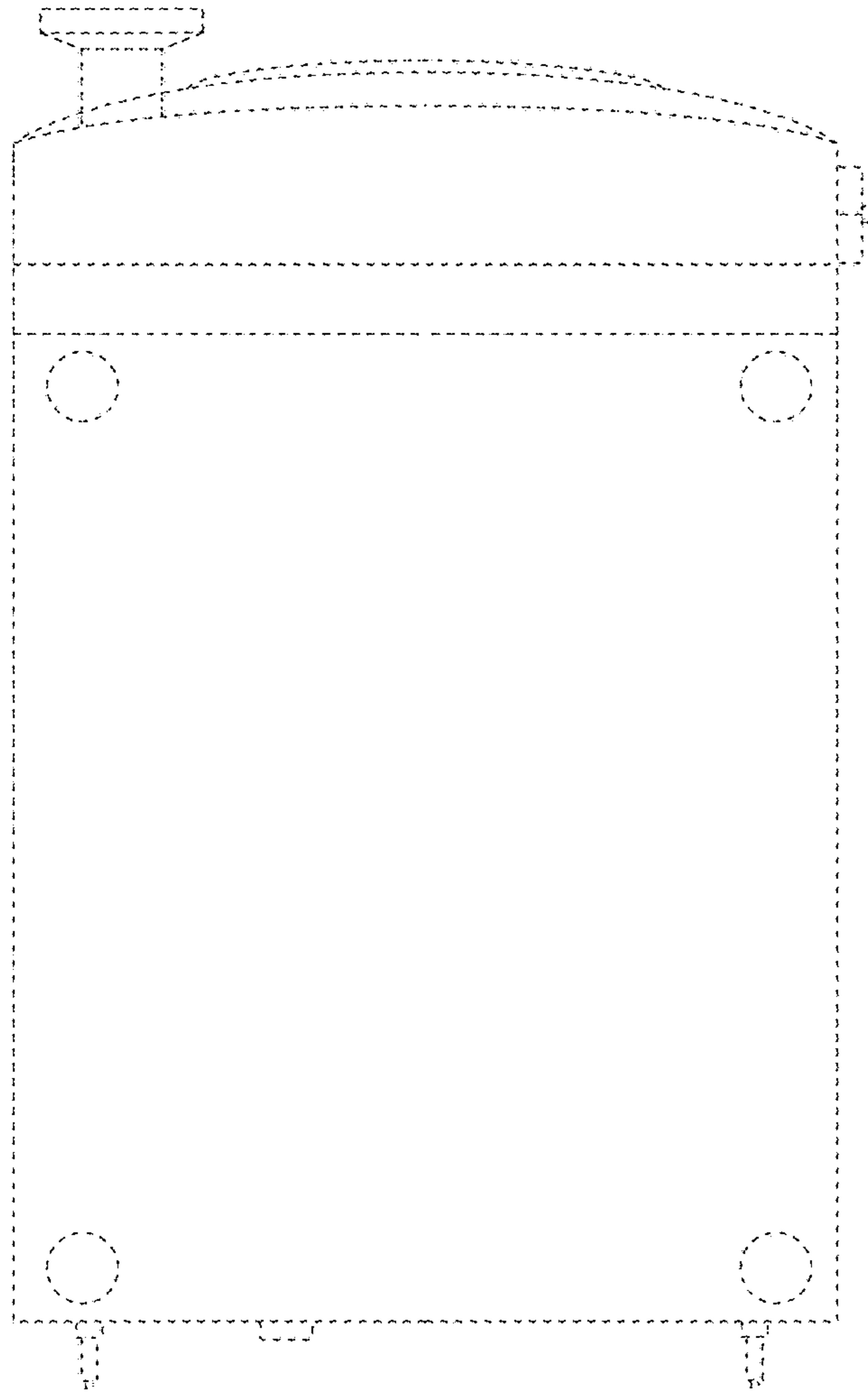


FIG. 7