

US00D862730S

(12) **United States Design Patent** (10) **Patent No.:** **US D862,730 S**
Hu (45) **Date of Patent:** **** Oct. 8, 2019**

(54) **WHITE NOISE MACHINE**
(71) Applicant: **SHENZHEN QIANHAI PATUOXUN NETWORK AND TECHNOLOGY CO., LTD**, Shenzhen (CN)

D611,926 S * 3/2010 Lev D14/168
D651,618 S * 1/2012 Barley D14/496
D731,465 S * 6/2015 Khubani D14/216
D751,531 S * 3/2016 Bearsch D14/207
D766,456 S * 9/2016 Luc D24/231
D815,150 S * 4/2018 Hu D14/496
D847,373 S * 4/2019 Hurwit D24/231

(72) Inventor: **Zaihui Hu**, Shenzhen (CN)
(73) Assignee: **SHENZHEN QIANHAI PATUOXUN NETWORK AND TECHNOLOGY CO., LTD**, Shenzhen (CN)

(**) Term: **15 Years**

(21) Appl. No.: **29/697,202**

(22) Filed: **Jul. 5, 2019**

(51) **LOC (12) Cl.** **24-99**

(52) **U.S. Cl.**
USPC **D24/231**

(58) **Field of Classification Search**
USPC D24/231, 188; D14/496, 215, 216, 168
CPC A61F 11/08; A61M 21/00
See application file for complete search history.

(56) **References Cited**

U.S. PATENT DOCUMENTS

2,644,153 A * 6/1953 Beazley A61M 21/00
340/384.72
3,121,220 A * 2/1964 Buckwalter A61M 21/00
340/404.2
D248,669 S * 7/1978 Ramsey D24/188
D310,372 S * 9/1990 Kimbrough D24/231
D311,065 S * 10/1990 Theisen D24/231
D381,019 S * 7/1997 Muller D24/231
D399,320 S * 10/1998 Barbeau D24/231
D440,557 S * 4/2001 Su D14/215
D567,224 S * 4/2008 Laituri D14/216
7,464,786 B2 * 12/2008 Falco A61F 11/08
181/135

OTHER PUBLICATIONS

White Noise Machine—Sound Machine for Relaxing & Sleeping, 36 High Fidelity Sounds—Nature/White Noise/Fan, Sleep Timer & Memory, Sound Therapy, Shush Sound for Baby Sleeping, Retrieved Jul. 5, 2019. Retrieved from Internet, <https://www.amazon.com/White-Noise-Machine-Relaxing-Sleeping/dp/B07R3KMN4J>.

(Continued)

Primary Examiner — Rhea Shields

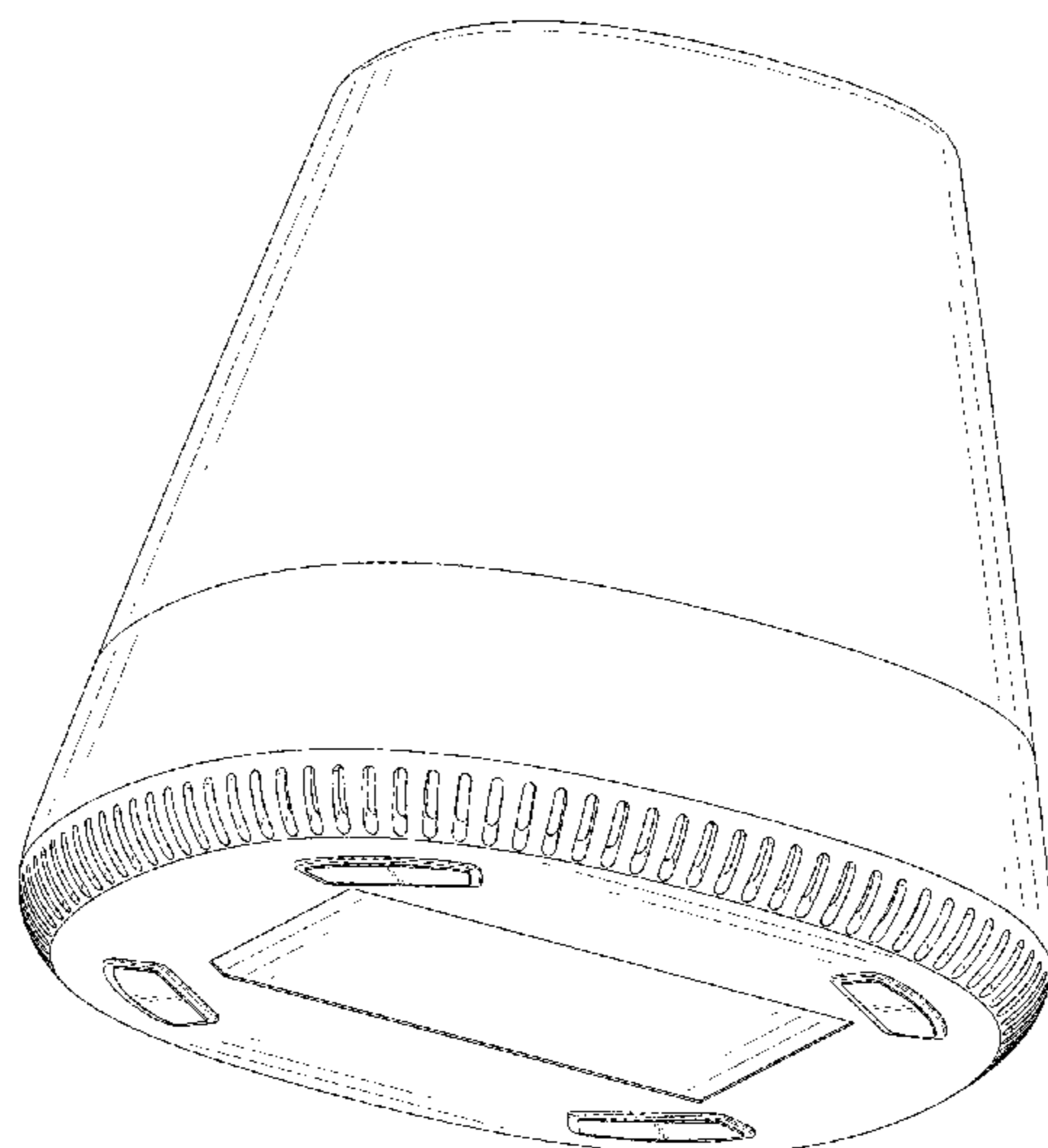
(57) **CLAIM**

The ornamental design for a white noise machine, as shown and described.

DESCRIPTION

FIG. 1 is a perspective view of a white noise machine showing my new design;
FIG. 2 is another perspective view thereof;
FIG. 3 is a front elevational view thereof;
FIG. 4 is a rear elevational view thereof;
FIG. 5 is a left side elevational view thereof;
FIG. 6 is a right side elevational view thereof;
FIG. 7 is a top plan view thereof;
FIG. 8 is a bottom plan view thereof; and,
FIG. 9 is an enlarge view of portion 9 shown in FIG. 2.
The broken lines in the drawings depict portions of the white noise machine that form no part of the claimed design.

1 Claim, 9 Drawing Sheets



(56)

References Cited

OTHER PUBLICATIONS

AIRSEE White Noise Machine—Portable Sound Machine for Sleeping with High Quality Speaker, 7 Natural and Soothing Sounds, Baby Sound Machine, Portable Sleep Sound Therapy for Home, Baby, Retrieved Jul. 5, 2019]. Retrieved from Internet, <https://www.amazon.com/AIRSEE-White-Noise-Machine-Portable/dp/B07NZM84SY>.

White Noise Machine—MOICO Portable Sound Machines for Sleeping for Baby/Kids/Adults with 30 Unique HiFi Sounds, Headphone Jack for Private Listening, Auto-Off Timer, Adjustable Volume, USB Powered, Retrieved Jul. 5, 2019. Retrieved from Internet, <https://www.amazon.com/White-Noise-Machine-Headphone-Adjustable/dp/B07S2CK21F>.

* cited by examiner

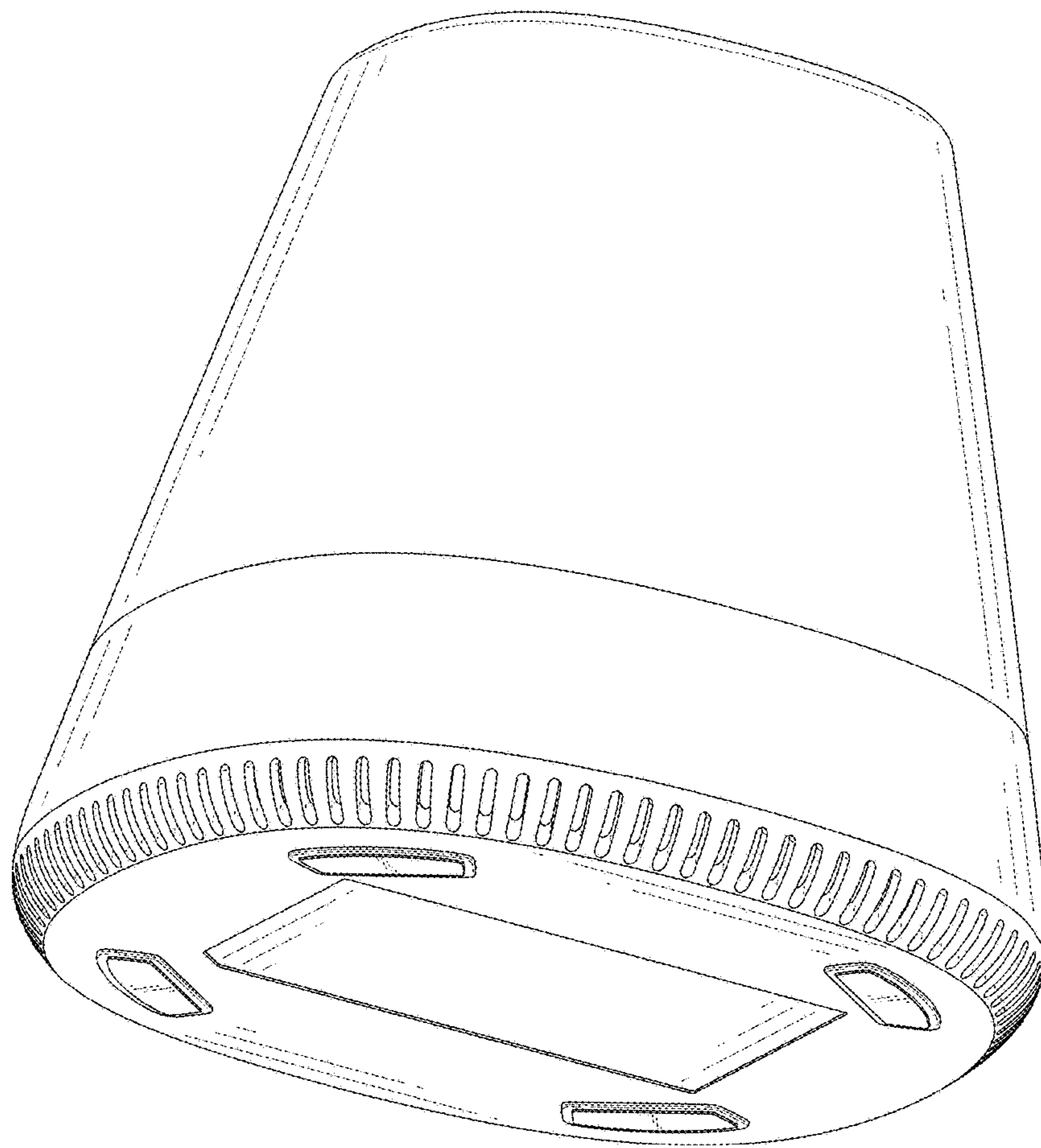


FIG. 1

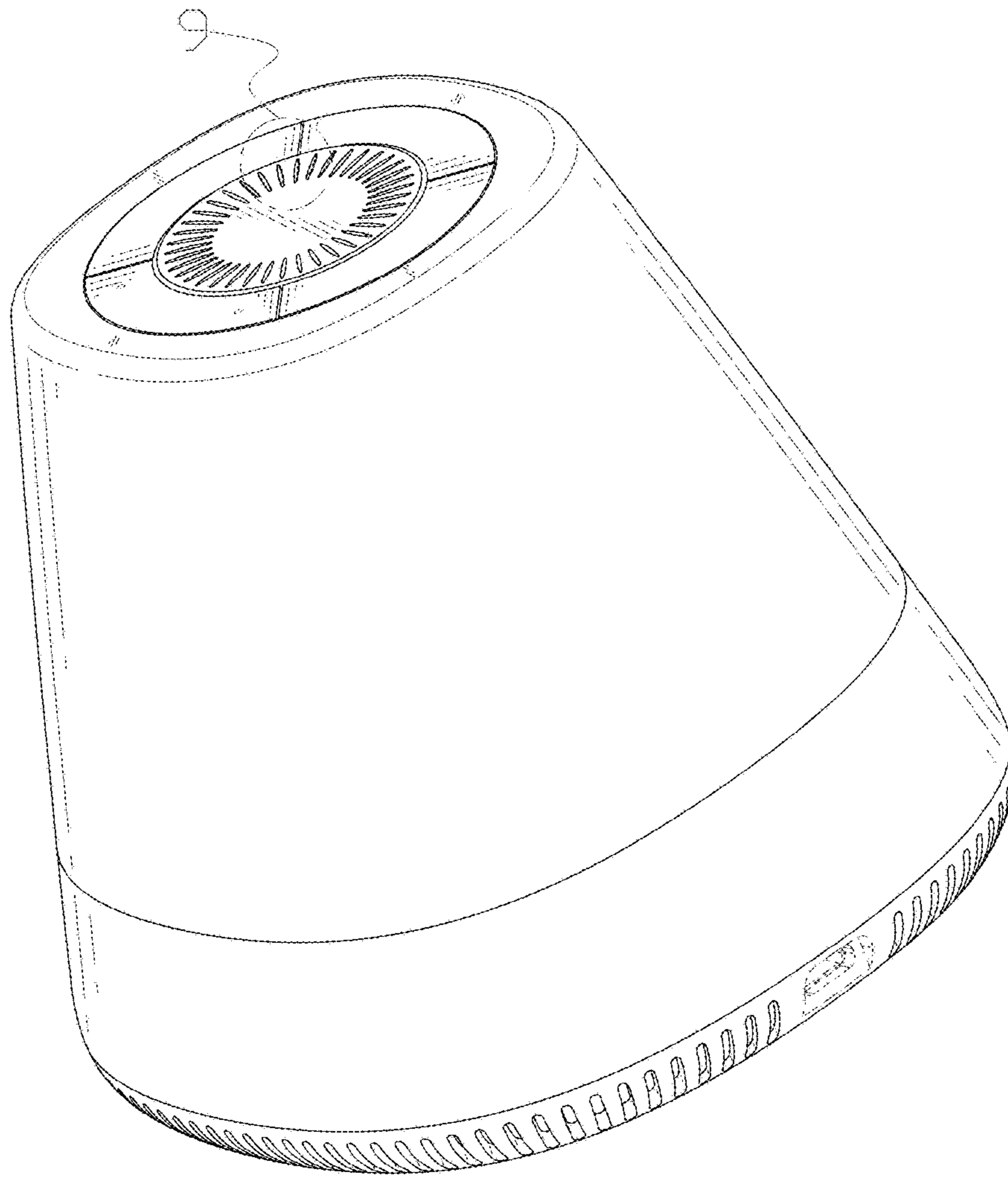


FIG. 2

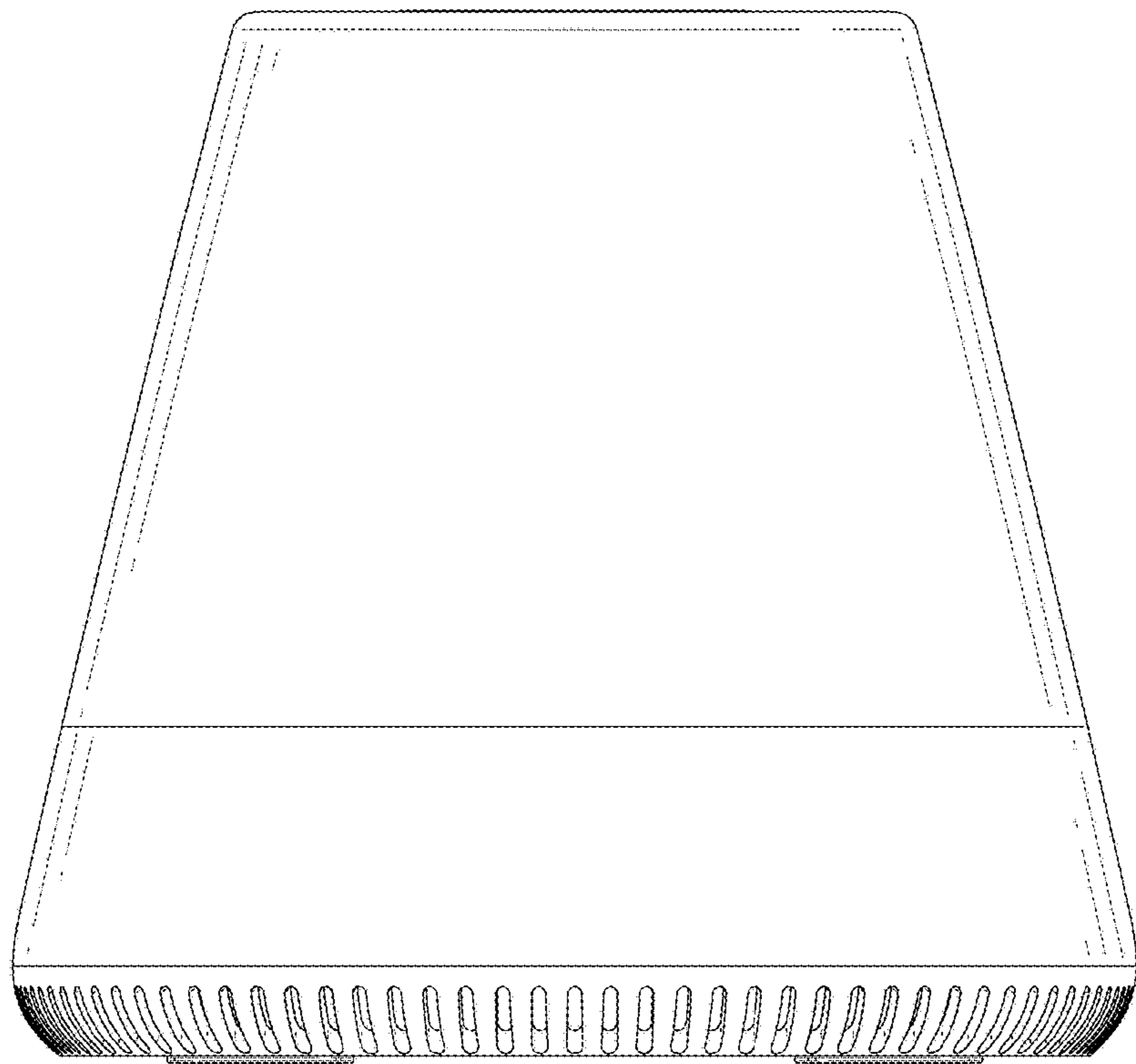


FIG. 3

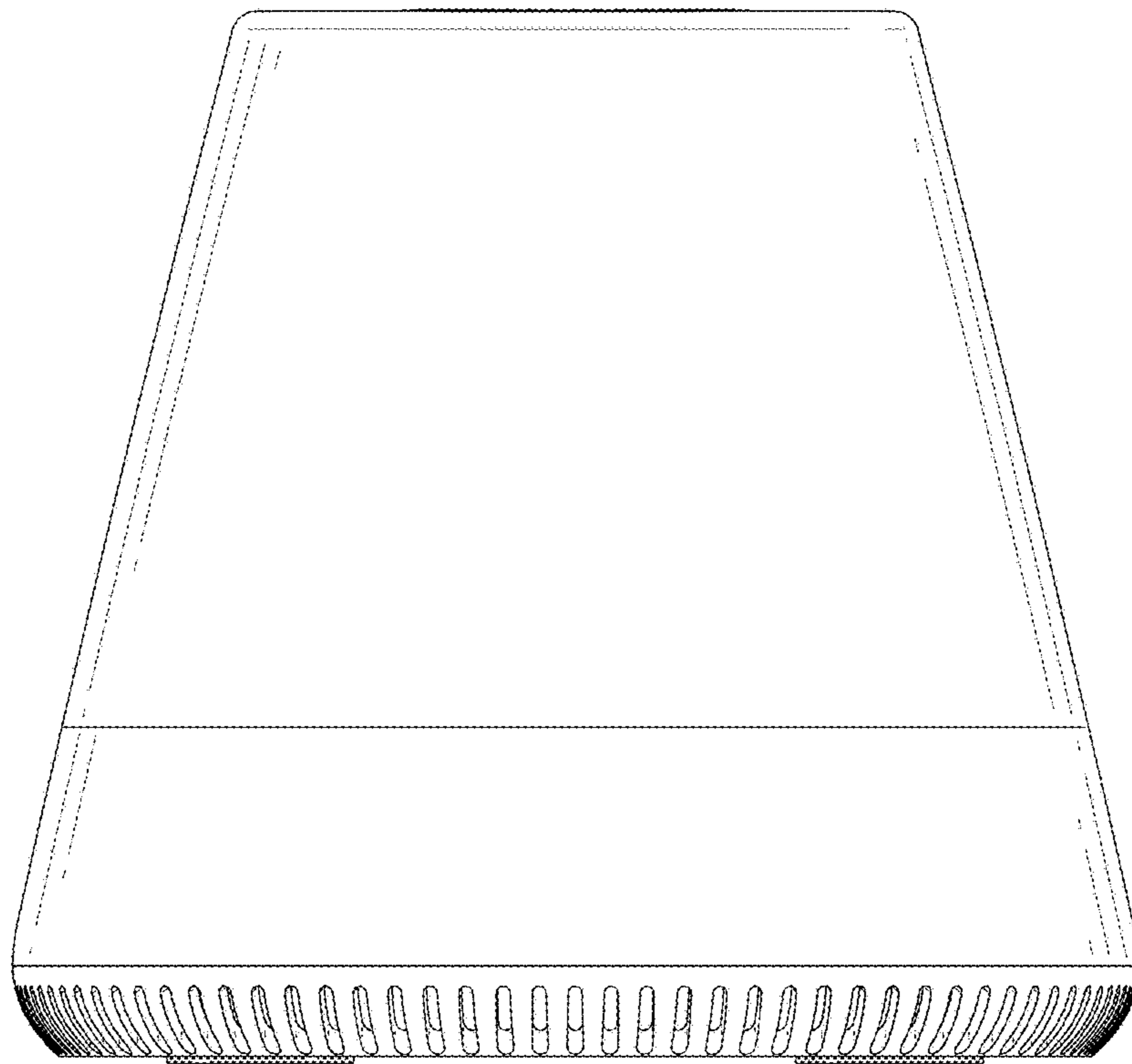


FIG. 4

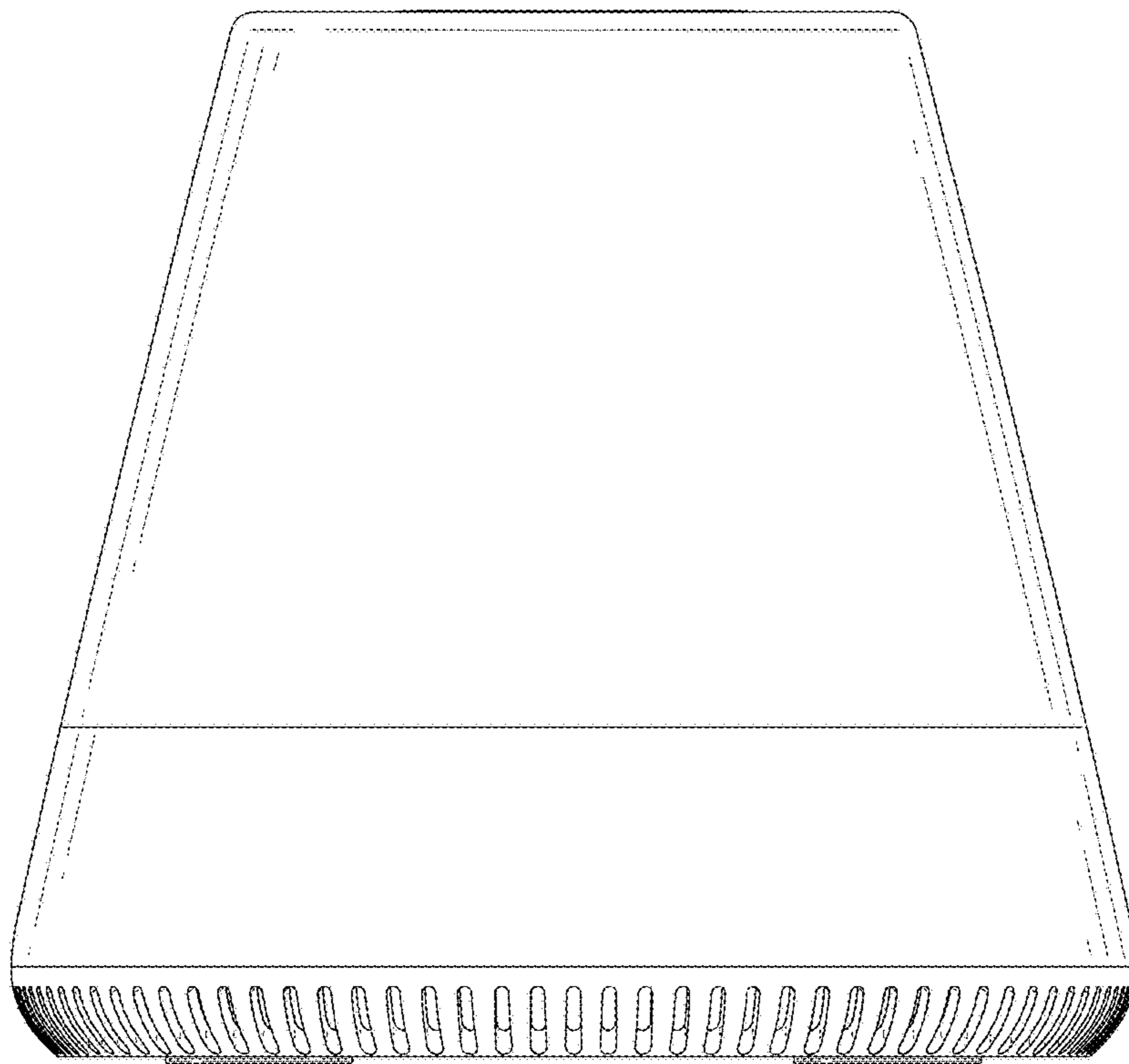


FIG. 5



FIG. 6

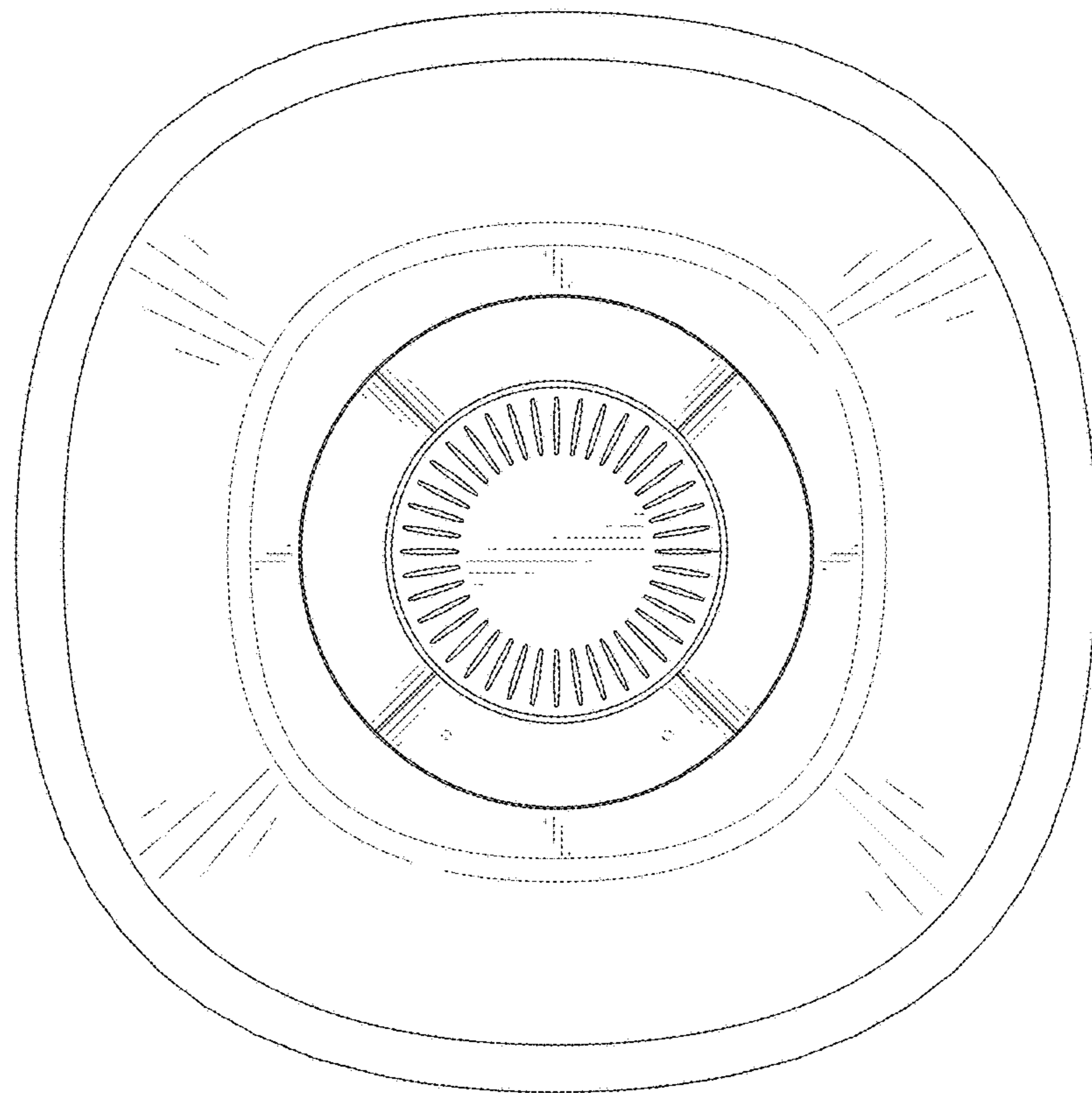


FIG. 7

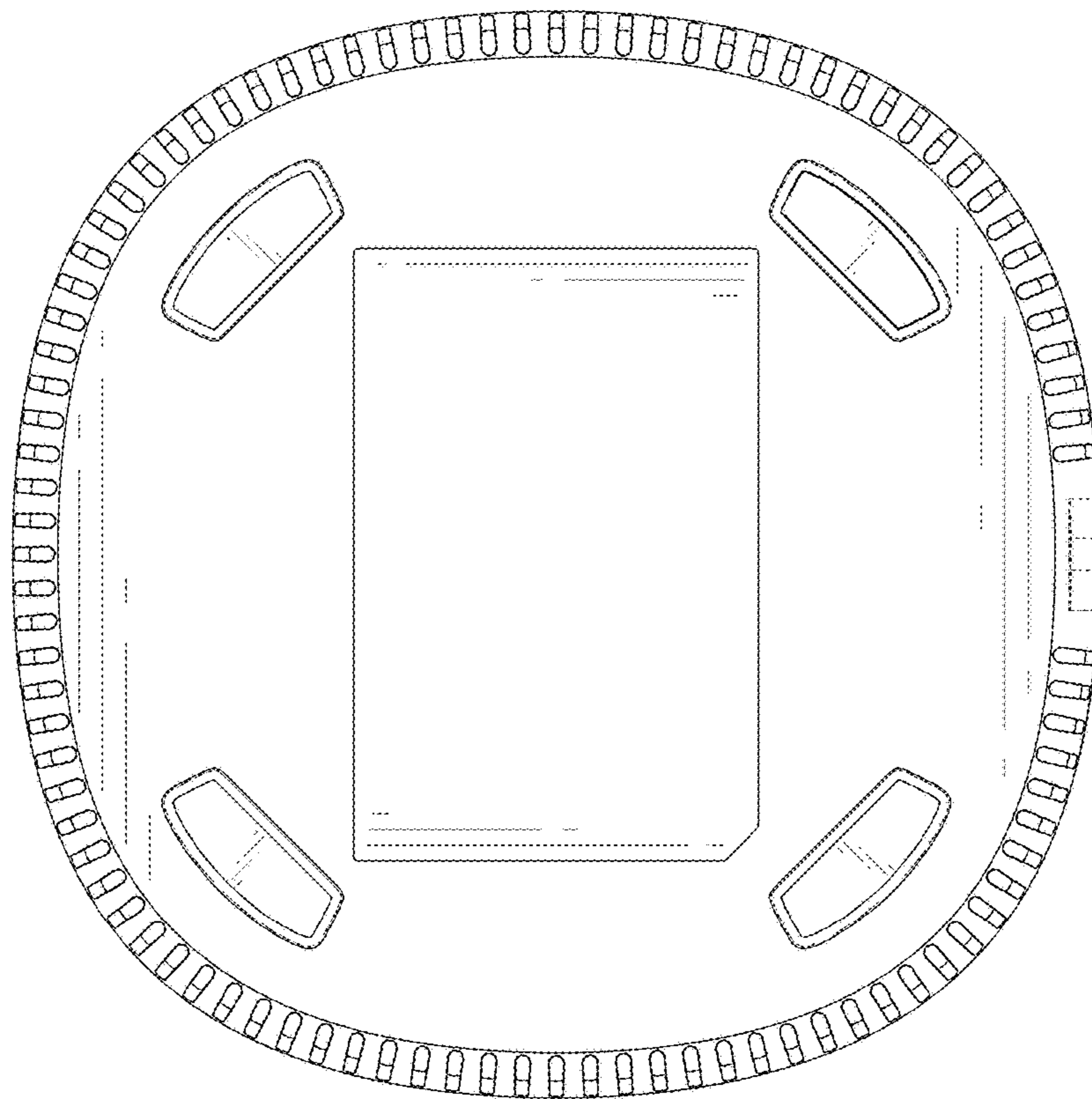


FIG. 8

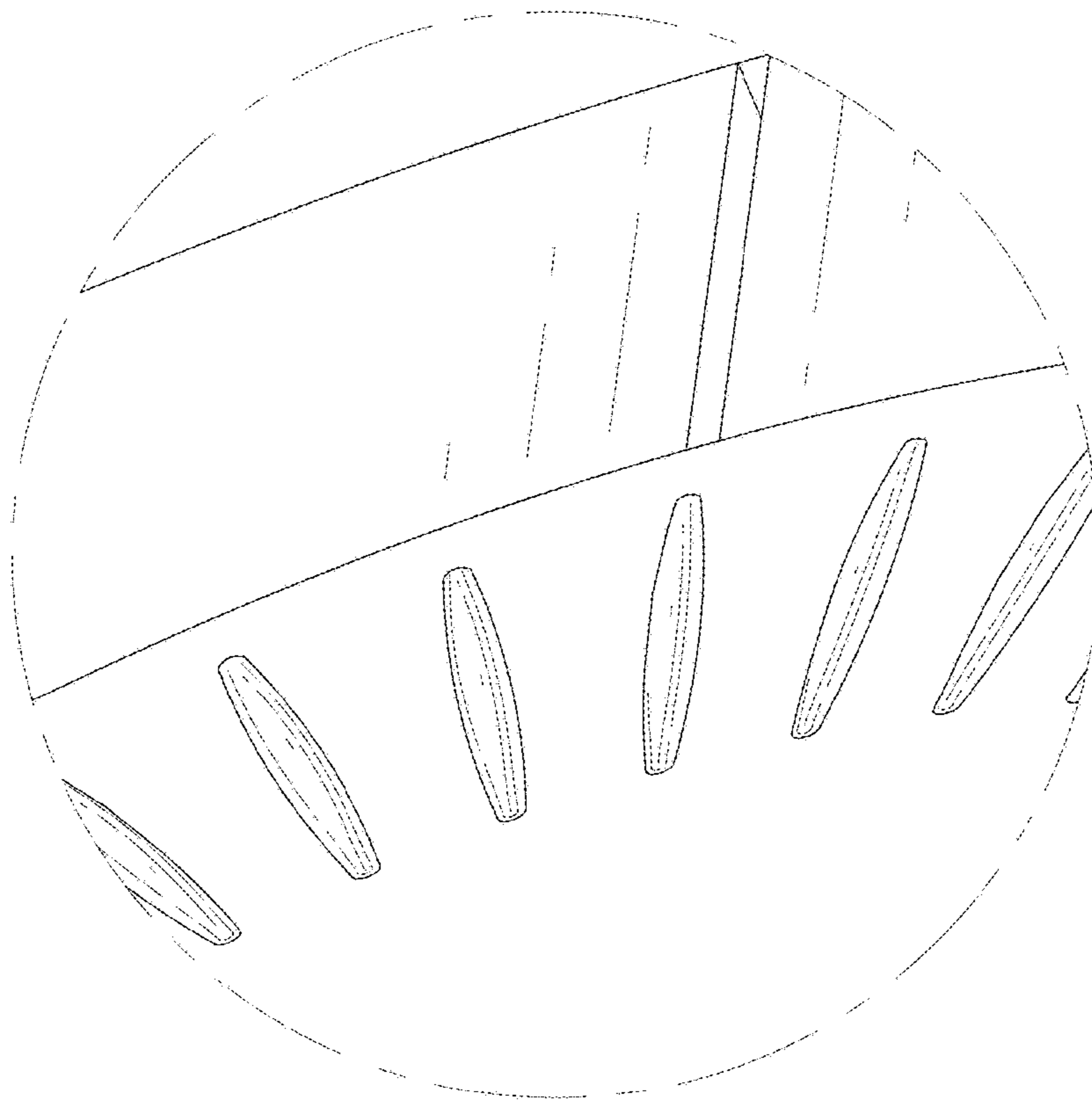


FIG. 9