

US00D862728S

(12) **United States Design Patent** (10) **Patent No.:** **US D862,728 S**
Livingston et al. (45) **Date of Patent:** **** Oct. 8, 2019**

- (54) **SAMPLE CONTAINER RACK**
- (71) Applicant: **Becton, Dickinson and Company**,
Franklin Lakes, NJ (US)
- (72) Inventors: **Dwight Livingston**, Fallston, MD (US);
Michael T. VanSickler, Columbia, MD (US)
- (73) Assignee: **Becton, Dickinson and Company**,
Franklin Lakes, NJ (US)
- (**) Term: **15 Years**
- (21) Appl. No.: **29/664,772**
- (22) Filed: **Sep. 27, 2018**

- D414,271 S * 9/1999 Mendoza D24/224
 - D448,854 S 10/2001 Kuiper et al.
 - D587,109 S * 2/2009 Lyon D9/737
- (Continued)

OTHER PUBLICATIONS

U.S. Appl. No. 29/554,962, filed Feb. 17, 2016, titled "Sample Container Rack".
(Continued)

Primary Examiner — Manpreet S Matharu
Assistant Examiner — Rebecca Tsehaye
(74) *Attorney, Agent, or Firm* — Lerner, David,
Littenberg, Krumholz & Mentlik, LLP

(57) **CLAIM**

The ornamental design for a sample container rack, as shown and described.

Related U.S. Application Data

- (62) Division of application No. 29/554,968, filed on Feb. 17, 2016, now Pat. No. Des. 836,795.
- (51) **LOC (12) Cl.** **24-02**
- (52) **U.S. Cl.**
USPC **D24/227**
- (58) **Field of Classification Search**
USPC D24/224, 216, 217, 219, 225–232;
D9/755–758; 211/126.1; 422/549–553,
422/558, 916; 435/288.1, 288.4, 304.1
CPC B01L 9/06; B01L 9/065; B01L 3/00; B01L
3/14; B01L 3/50
See application file for complete search history.

DESCRIPTION

The present application is also related to U.S. Design patent application Ser. No. 29/554,962, also entitled Sample Container Rack and filed on Feb. 17, 2016, as well as U.S. Design patent application Ser. No. 29/554,966, also entitled Sample Container Rack and filed on Feb. 17, 2016, the disclosures all of which are incorporated herein by reference.

FIG. 1 is a front perspective view of a sample container rack according to our design;
FIG. 2 is a front elevation view thereof;
FIG. 3 is a rear elevation view thereof;
FIG. 4 is a left side elevation view thereof;
FIG. 5 is a right side elevation view thereof;
FIG. 6 is a top plan view thereof; and,
FIG. 7 is a bottom plan view thereof.

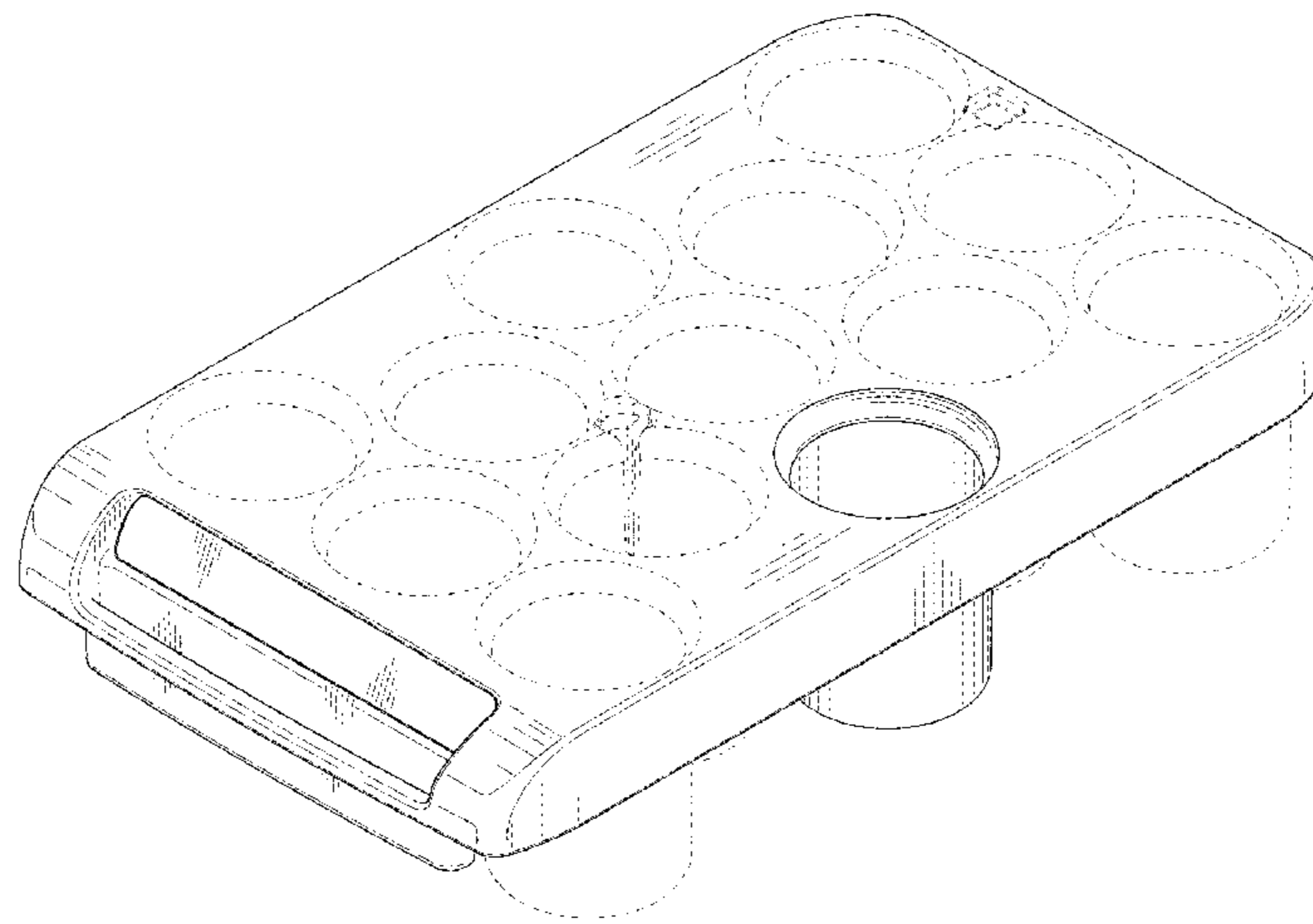
The broken lines illustrate unclaimed environmental structure and form no part of the claimed design. The dash-dot-lines are boundary lines that form no part of the claimed design.

(56) **References Cited**

U.S. PATENT DOCUMENTS

- D245,118 S 7/1977 Heaton
- 4,389,374 A 6/1983 Sutton et al.
- 4,963,493 A 10/1990 Daftsios
- D339,869 S * 9/1993 Schea, III D24/224
- 5,508,005 A 4/1996 Mathus
- D402,411 S * 12/1998 Radler D28/61
- D411,308 S 6/1999 Pandey et al.

1 Claim, 5 Drawing Sheets



(56)

References Cited

U.S. PATENT DOCUMENTS

D629,122	S	12/2010	Karpiloff	
D639,447	S	6/2011	Karpiloff	
8,142,740	B2	3/2012	Self et al.	
D699,371	S	2/2014	Williams et al.	
D709,323	S	7/2014	Brown	
D710,024	S	7/2014	Guo	
8,808,650	B1	8/2014	Iqbal et al.	
D734,867	S	7/2015	Smeja	
D739,680	S	9/2015	Smeja	
D767,164	S	9/2016	Schimmel et al.	
D792,735	S *	7/2017	Henry	D7/357
D812,243	S *	3/2018	Johns	D24/227
D832,454	S *	10/2018	Livingston	D24/224
D836,794	S *	12/2018	Livingston	D24/224
D836,795	S *	12/2018	Livingston	D24/224
2014/0140804	A1 *	5/2014	Focke	B01L 9/06 414/801

OTHER PUBLICATIONS

U.S. Appl. No. 29/664,950, filed Sep. 28, 2018, titled "Sample Container Rack".

U.S. Appl. No. 29/664,939, filed Sep. 28, 2018, titled "Sample Container Rack".

U.S. Appl. No. 29/664,770, filed Sep. 27, 2018, titled "Sample Container Rack".

U.S. Appl. No. 29/554,966, filed Feb. 17, 2016, titled "Sample Container Rack".

* cited by examiner

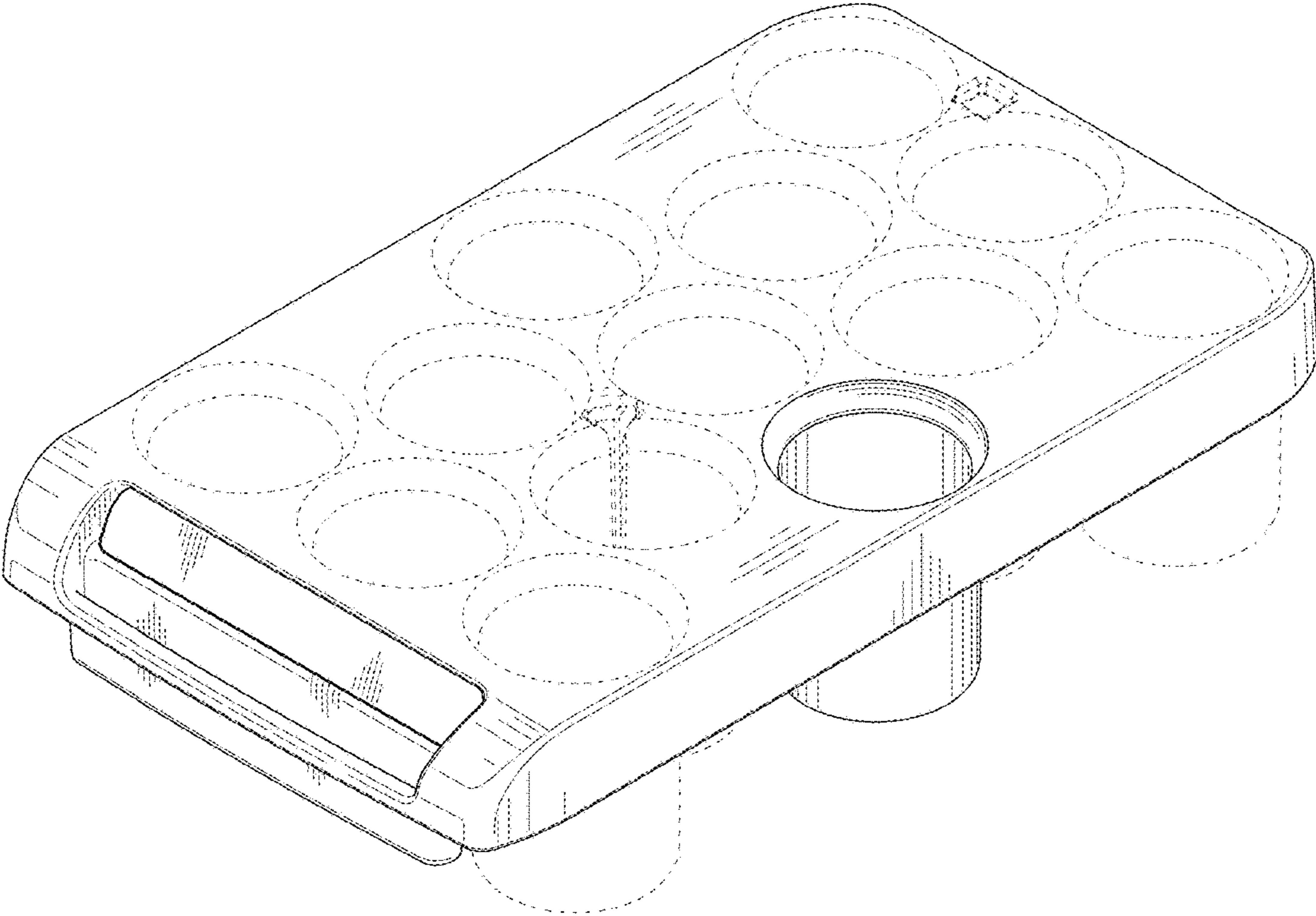


FIG. 1

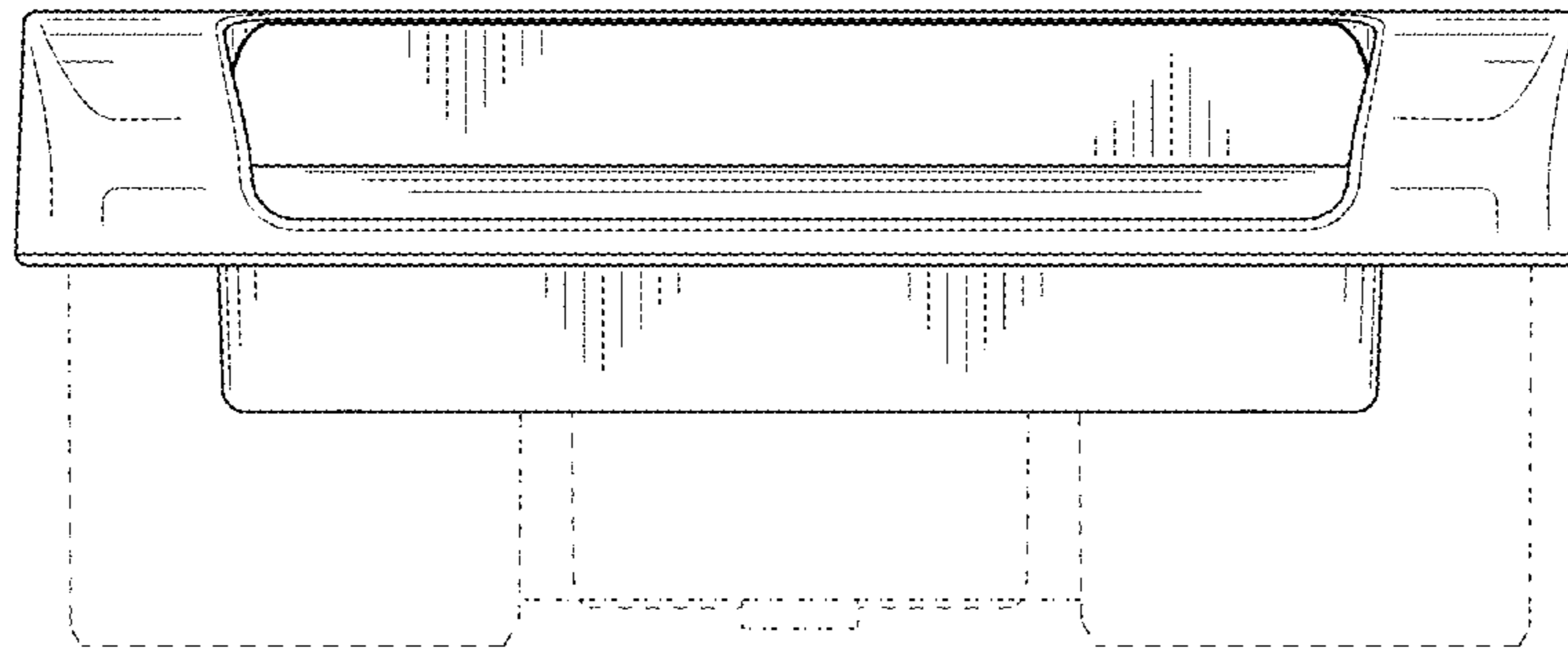


FIG. 2

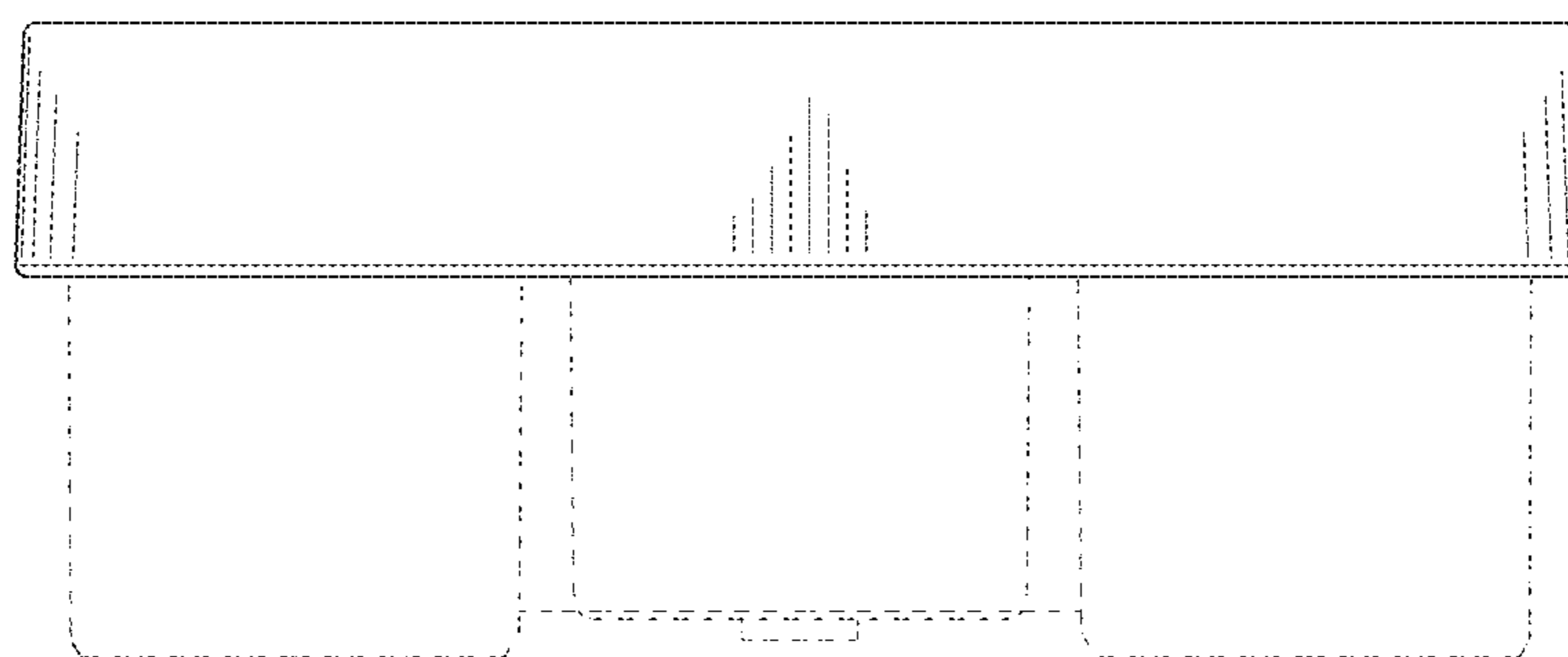


FIG. 3

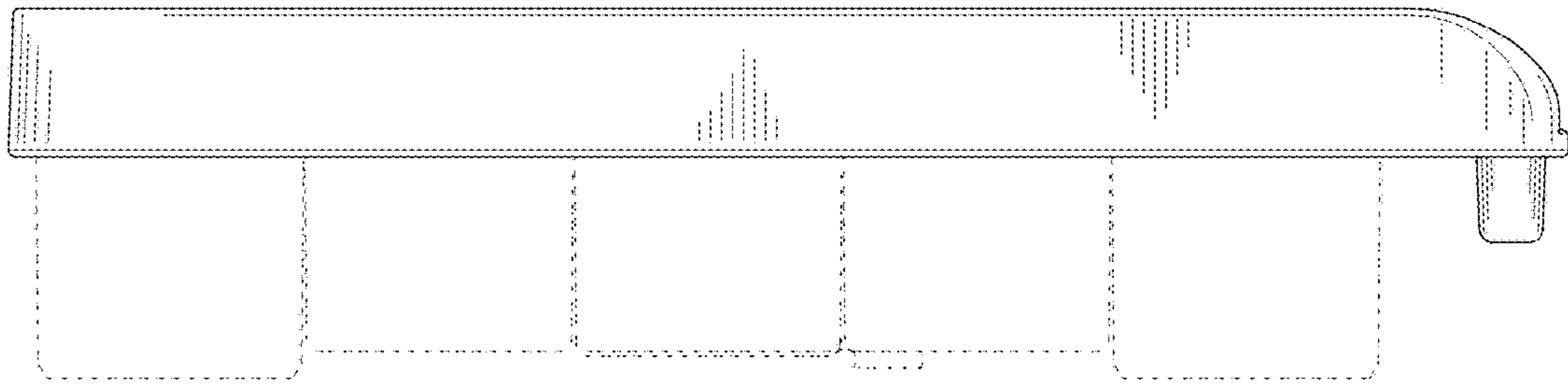


FIG. 4

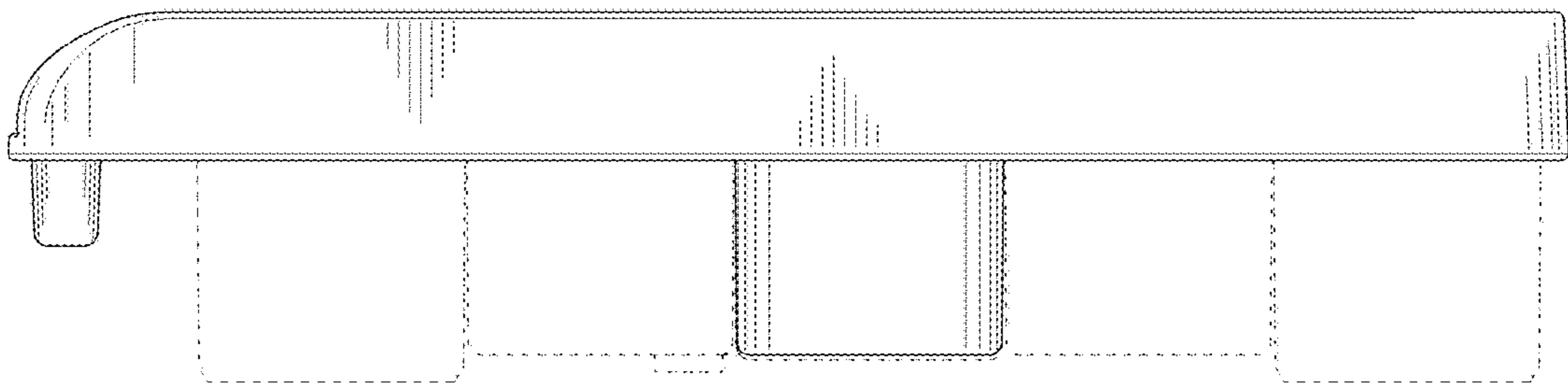


FIG. 5

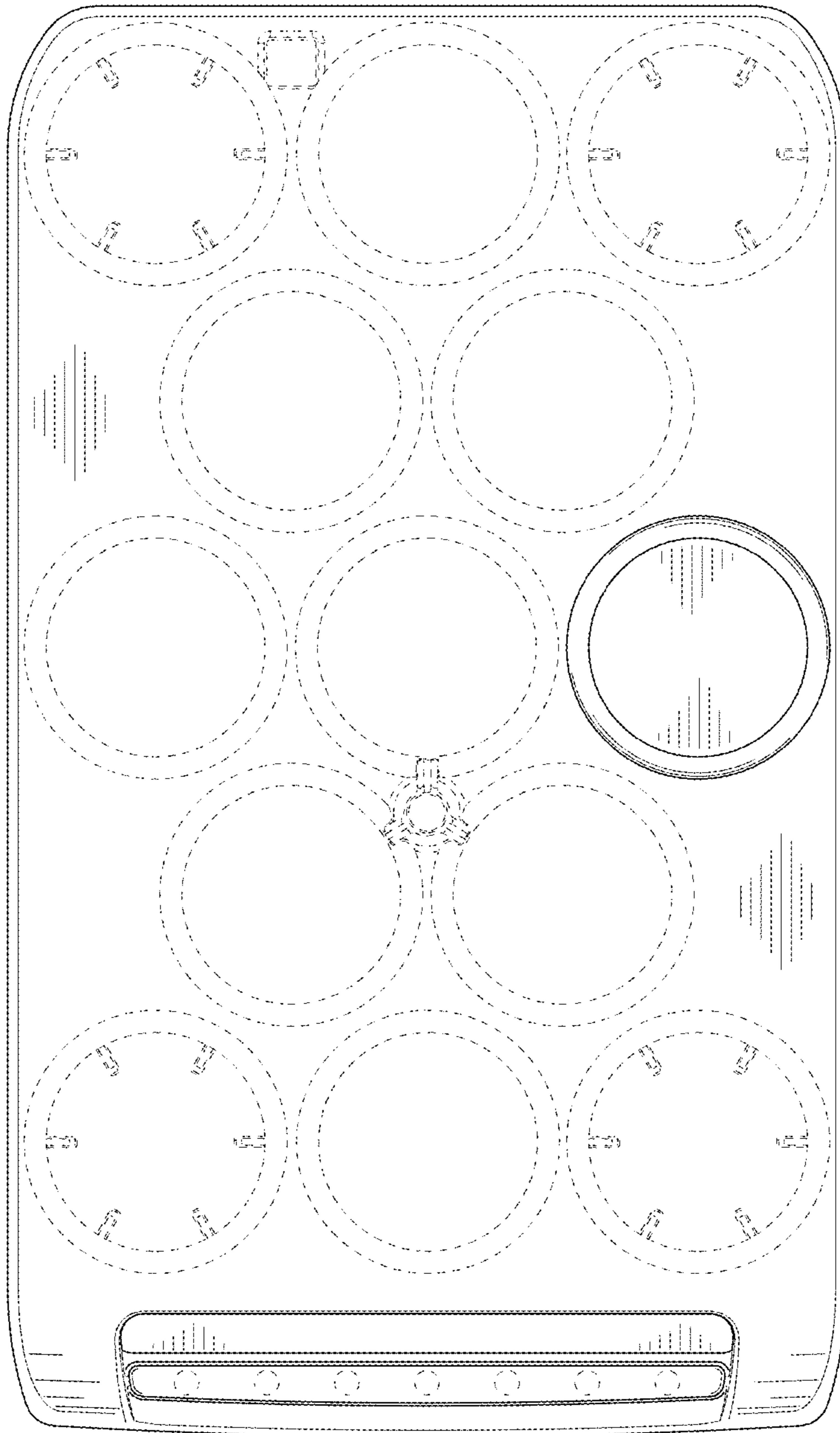


FIG. 6

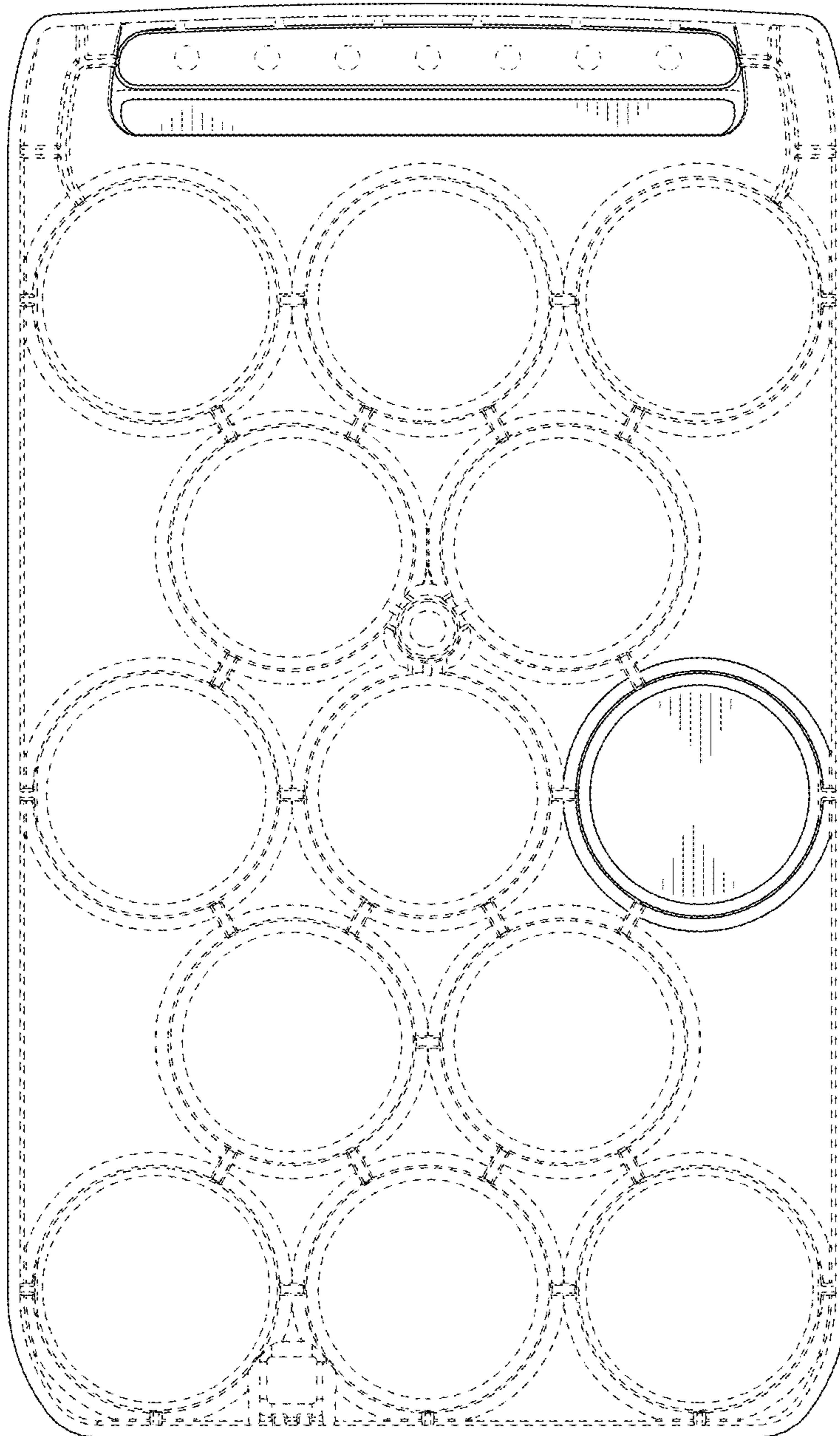


FIG. 7