



US00D862726S

(12) **United States Design Patent** (10) **Patent No.:** **US D862,726 S**
Mehregany et al. (45) **Date of Patent:** **** *Oct. 8, 2019**

(54) **STYLUS FOR A PILL DISPENSER**
(71) Applicant: **QuantaEd, LLC**, San Diego, CA (US)
(72) Inventors: **Mehran Mehregany**, San Diego, CA (US); **Donald Murray Learmonth**, San Diego, CA (US); **Oliver Ian Yates**, Kent (GB)

(73) Assignee: **QuantaEd, LLC**, San Diego, CA (US)
(*) Notice: This patent is subject to a terminal disclaimer.

(**) Term: **15 Years**

(21) Appl. No.: **29/614,055**

(22) Filed: **Aug. 15, 2017**

(51) **LOC (12) Cl.** **24-02**

(52) **U.S. Cl.**
USPC **D24/224**; D14/411

(58) **Field of Classification Search**
USPC D24/224, 231, 234, 133, 141, 147, 137, D24/138; D14/411; D3/203.2
CPC A61J 7/003; A61J 7/0076; A61J 7/0092; A61J 7/02; B65D 83/04; B65D 83/0409
See application file for complete search history.

(56) **References Cited**

U.S. PATENT DOCUMENTS

D139,383 S *	11/1944	Lapl	D24/224
2,885,110 A *	5/1959	Tregilgas	B65D 83/0409
				221/185
3,243,081 A *	3/1966	Schmank	B65D 83/0409
				221/186
3,854,625 A *	12/1974	Kuebler	B65D 83/0409
				221/198
D253,722 S *	12/1979	Allen	D24/224
D307,421 S *	4/1990	Tedham	D14/411
D311,774 S *	10/1990	Lax	D24/224
D453,354 S *	2/2002	Ikenaga	D14/411

D518,178 S *	3/2006	Christiansen	D24/133
D553,738 S *	10/2007	Simonson	D24/133
D660,428 S *	5/2012	Hohl	D24/133

(Continued)

FOREIGN PATENT DOCUMENTS

EP 2067718 A1 * 6/2009 B65D 83/0005

OTHER PUBLICATIONS

Cielo Pill Holders. Link: <https://www.cielopillholders.com/products/slim-single-chamber-pill-holder>. Visited Dec. 4, 2018. Slim Single Chamber Pill Holder. (Year: 2018).*

Primary Examiner — Susan Bennett Hattan

Assistant Examiner — Lauren D McVey

(74) *Attorney, Agent, or Firm* — Kaplan Breyer Schwarz, LLP

(57) **CLAIM**

The ornamental design for a stylus for a pill dispenser, as shown and described.

DESCRIPTION

FIG. 1 is a front, top, and side perspective view of a stylus for a pill dispenser showing our new design in an environment;

FIG. 2 is a front, top, and side perspective view of the stylus of FIG. 1;

FIG. 3 is a front elevation view thereof;

FIG. 4 is a rear elevation view thereof;

FIG. 5 is a left side elevation view thereof;

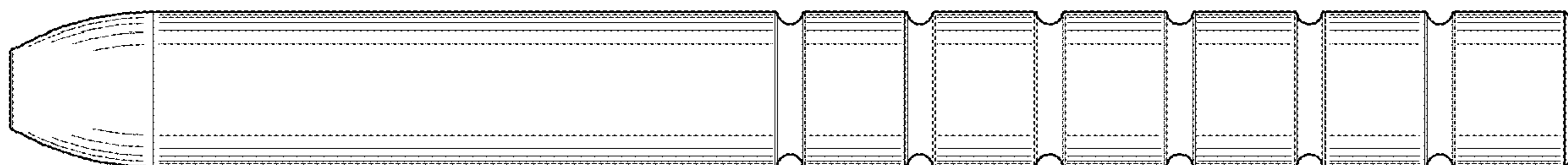
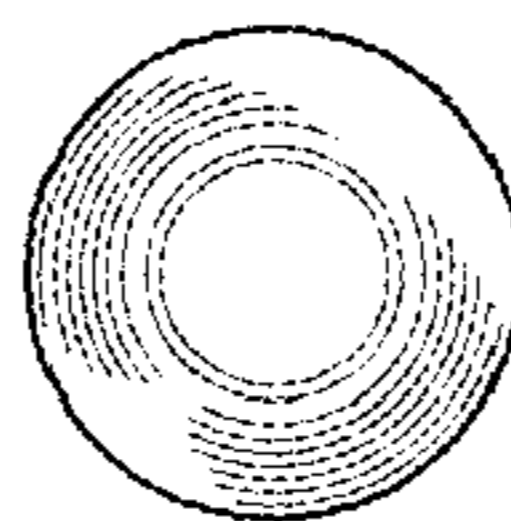
FIG. 6 is a right side elevation view thereof;

FIG. 7 is a top side elevation view thereof; and,

FIG. 8 is a bottom side elevation view thereof.

The broken lines immediately adjacent to the claimed design represent the bounds of the claimed, while all other broken lines are directed to environment and form no part of the claimed design. In addition, the unshaded surface that directly adjoins the claimed solid line edge forms no part of the claimed design.

1 Claim, 4 Drawing Sheets



(56)

References Cited

U.S. PATENT DOCUMENTS

D711,882 S * 8/2014 Yeo D14/411
D727,903 S * 4/2015 Madsen G06F 3/03545
D14/411

* cited by examiner

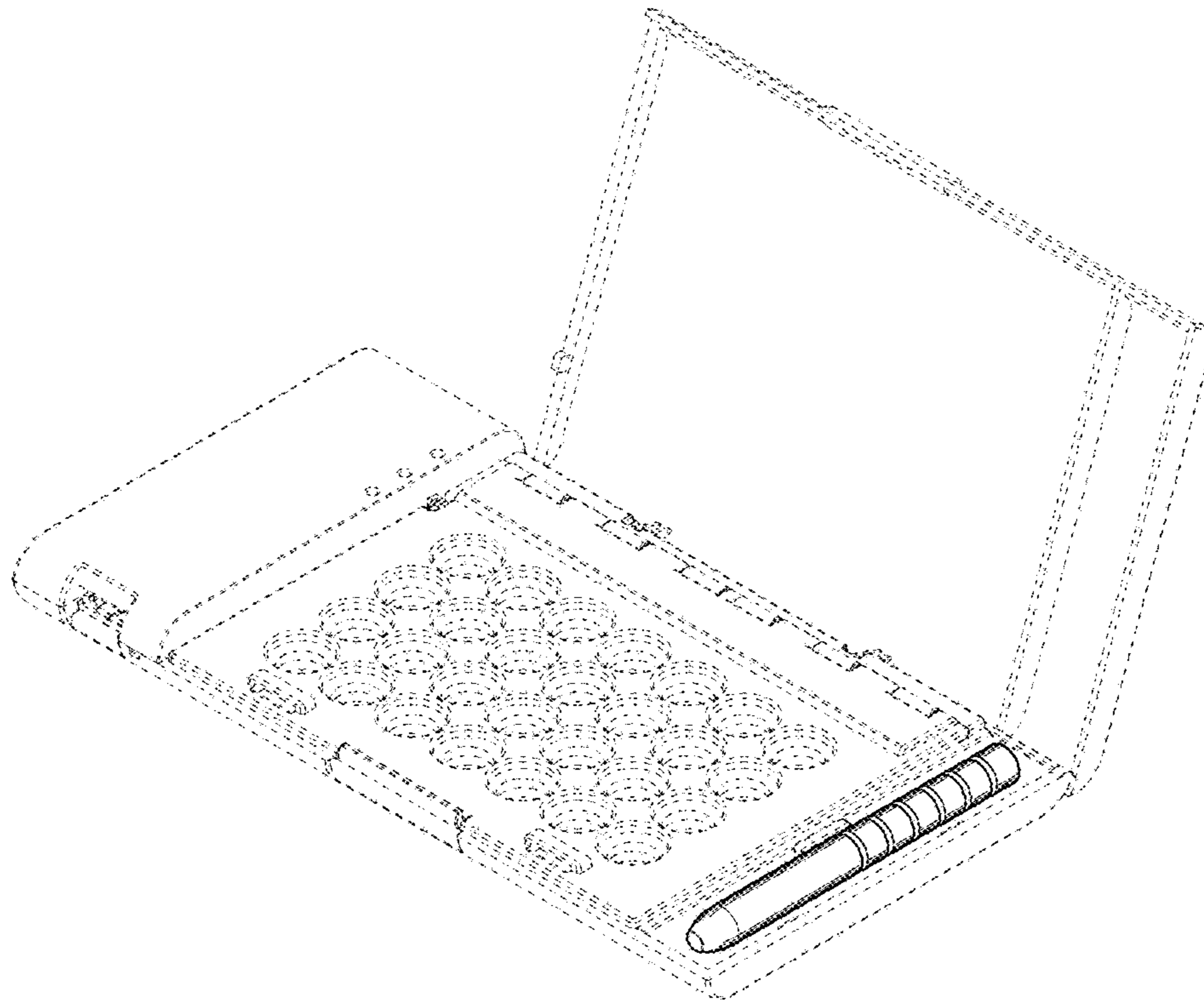


FIG. 1

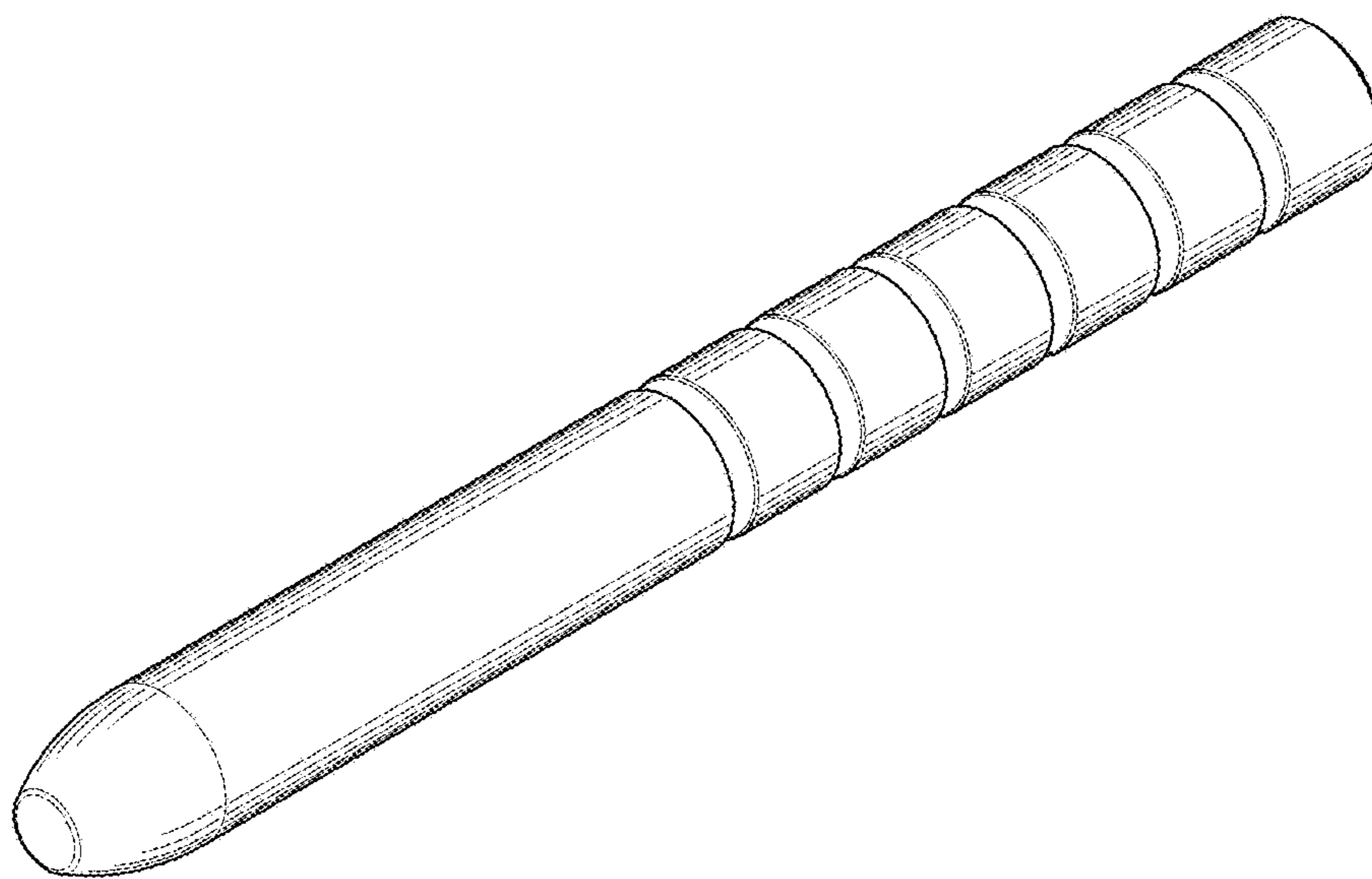


FIG. 2

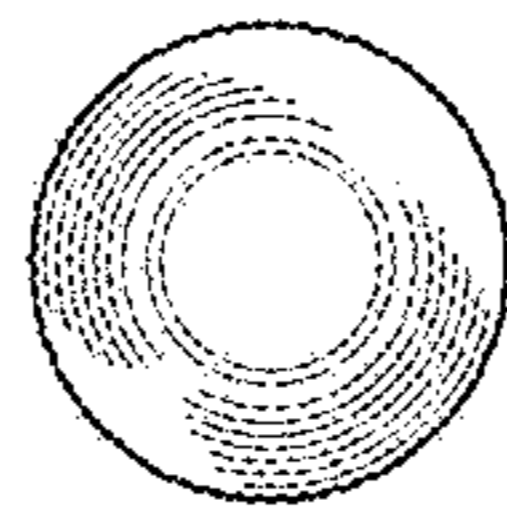


FIG. 3

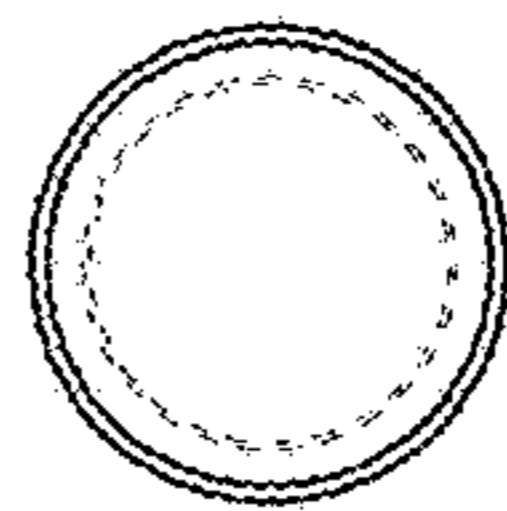


FIG. 4

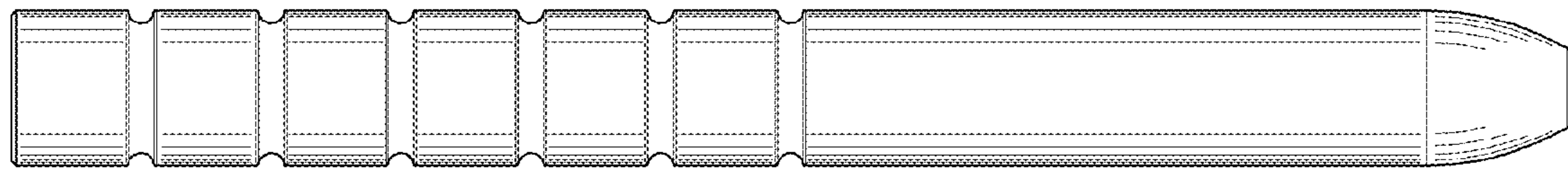


FIG. 5

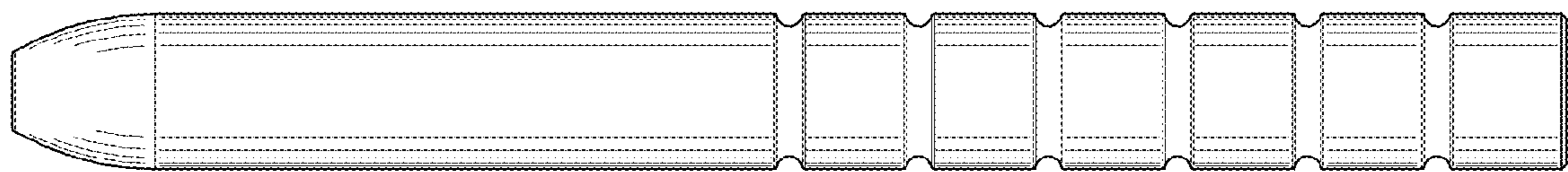


FIG. 6

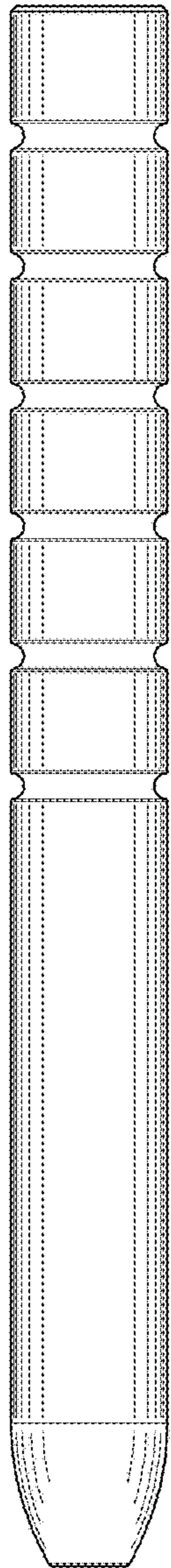


FIG. 7

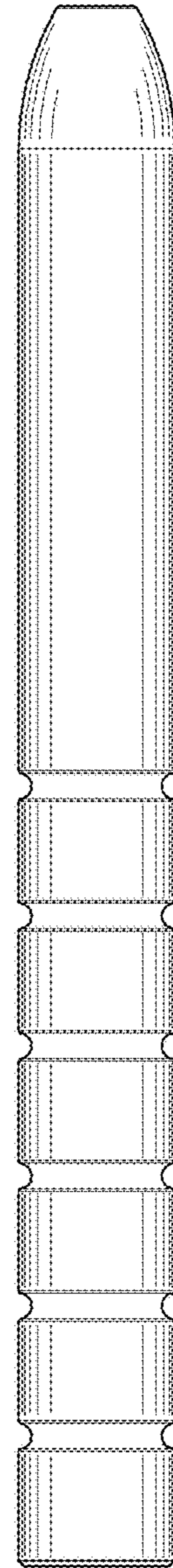


FIG. 8