



US00D862724S

(12) **United States Design Patent**
Sims et al.

(10) **Patent No.:** **US D862,724 S**

(45) **Date of Patent:** **** Oct. 8, 2019**

- (54) **TUBE STRIP WITH CAPS**
- (71) Applicant: **ABGENE UK LTD.**, Carlsbad, CA (US)
- (72) Inventors: **Daniel Sims**, Ashford (GB); **Clive Harrison**, Ashford (GB); **Nicola Burbidge**, Carlsbad, CA (US)
- (73) Assignee: **Abgene UK Ltd.** (GB)
- (**) Term: **15 Years**
- (21) Appl. No.: **29/565,448**
- (22) Filed: **May 20, 2016**
- (51) **LOC (12) Cl.** **24-02**
- (52) **U.S. Cl.**
USPC **D24/224**
- (58) **Field of Classification Search**
USPC D24/224–230, 216; 422/562, 561, 560, 422/568, 500
CPC B01L 3/00; B01L 3/02; B01L 3/14; B01L 3/50; B01L 3/50825; B01L 3/5085; B01L 3/50853
See application file for complete search history.

- D717,468 S * 11/2014 Tsai B01L 3/50855 D24/224
- D718,465 S * 11/2014 Tajima D24/224
- D742,027 S * 10/2015 Lentz D24/224
- D759,835 S * 6/2016 Baum D24/224
- D778,459 S * 2/2017 Tajima D24/224
- D792,981 S * 7/2017 Tajima D24/224
- 9,802,196 B2 * 10/2017 Taunk B01L 3/50825

* cited by examiner

Primary Examiner — Susan Bennett Hattan

Assistant Examiner — Rebecca Tsehaye

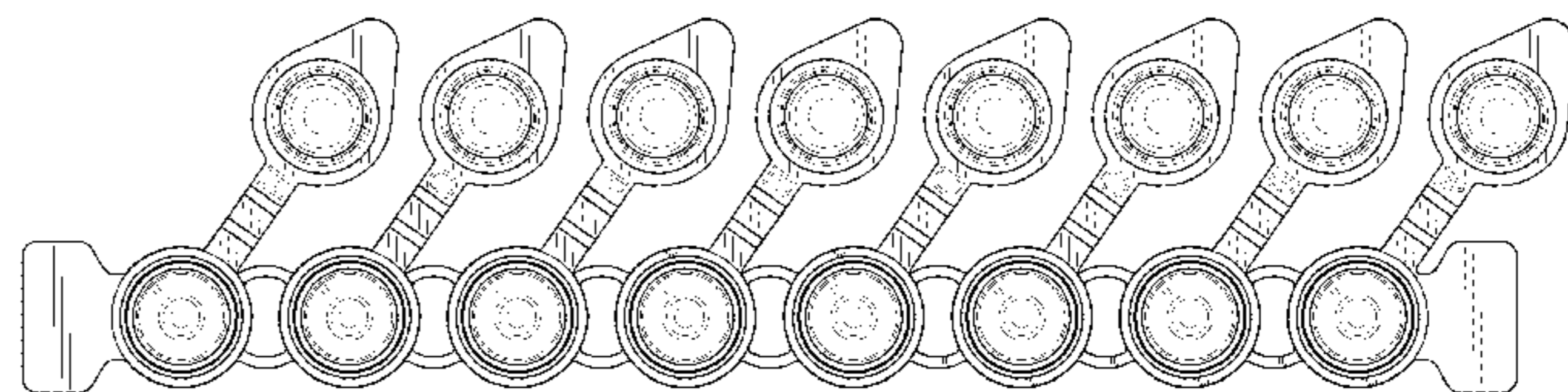
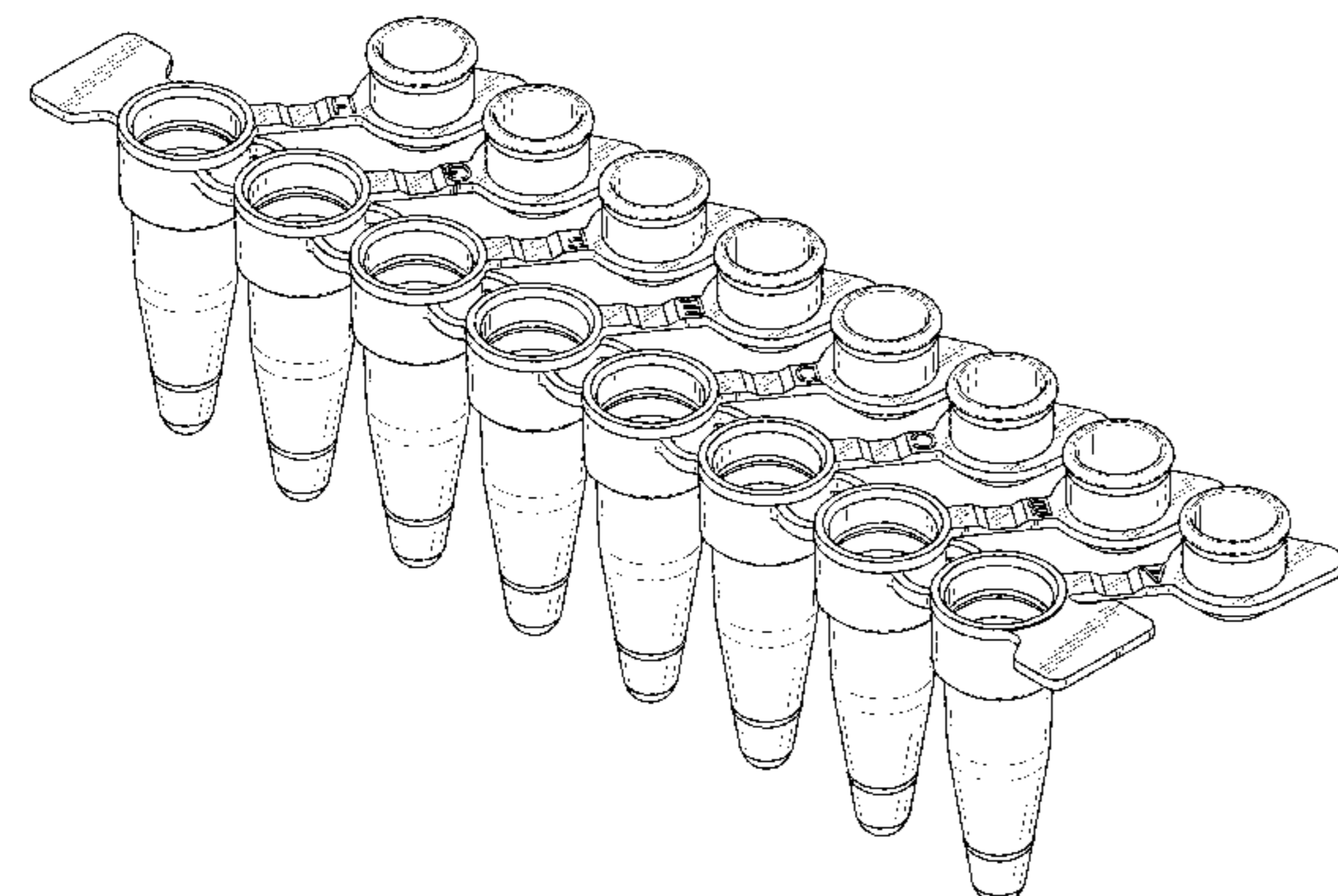
(57) **CLAIM**

The ornamental design for a tube strip with caps, as shown and described.

DESCRIPTION

- FIG. 1 is a perspective view of a tube strip with caps of our new design.
- FIG. 2 is a front side view of a tube strip with caps of our new design.
- FIG. 3 is a back side view of a tube strip with caps of our new design.
- FIG. 4 is a right side view of a tube strip with caps of our new design.
- FIG. 5 is a left side view of a tube strip with caps of our new design.
- FIG. 6 is a top view of a tube strip with caps of our new design.
- FIG. 7 is a bottom view of a tube strip with caps of our new design.
- FIG. 8 is a top view of a tube strip with caps of our new design.
- FIG. 9 is a bottom view of a tube strip with caps of our new design; and,
- FIG. 10 is a top view of a tube strip with caps of our new design.

1 Claim, 9 Drawing Sheets



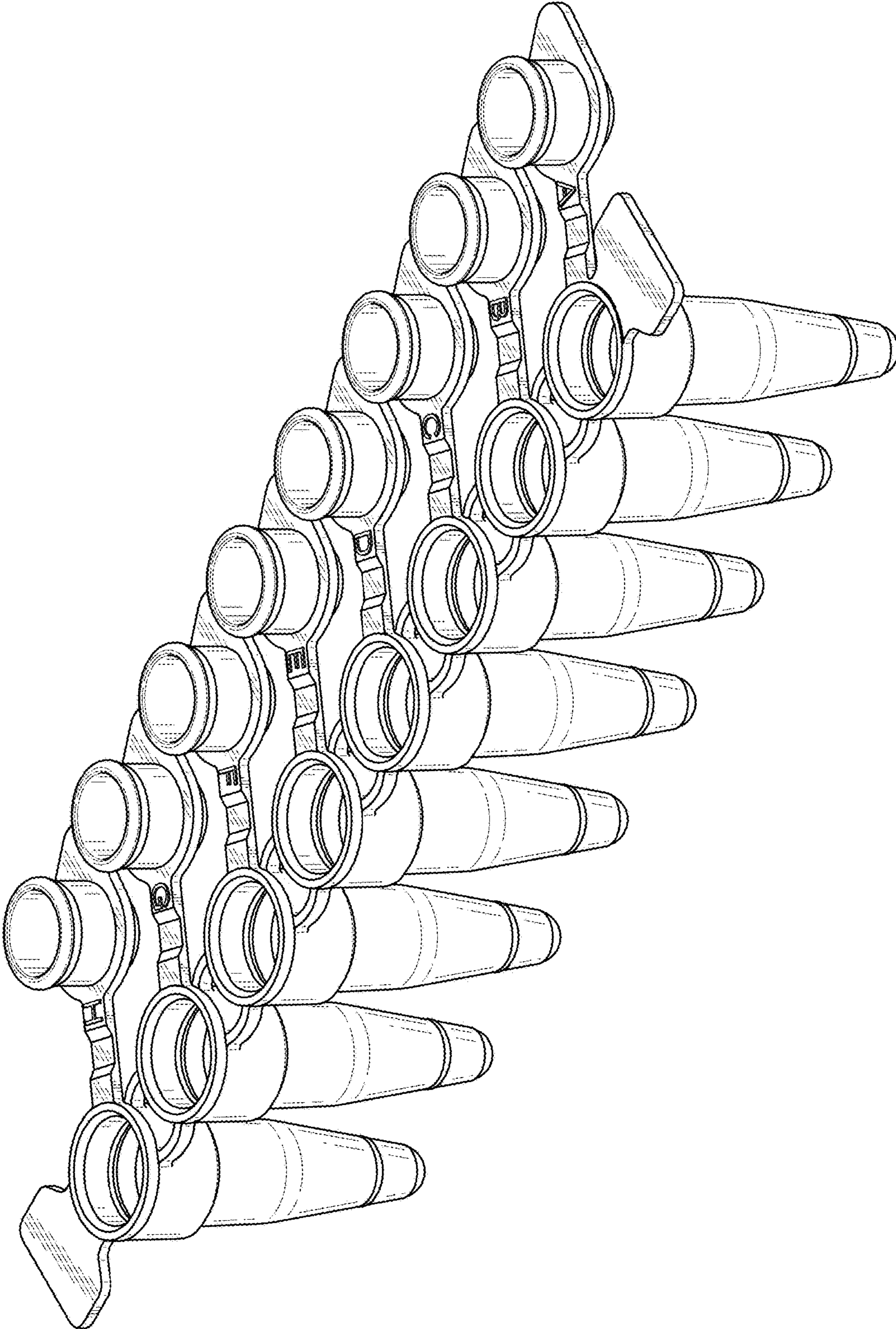


FIG. 1

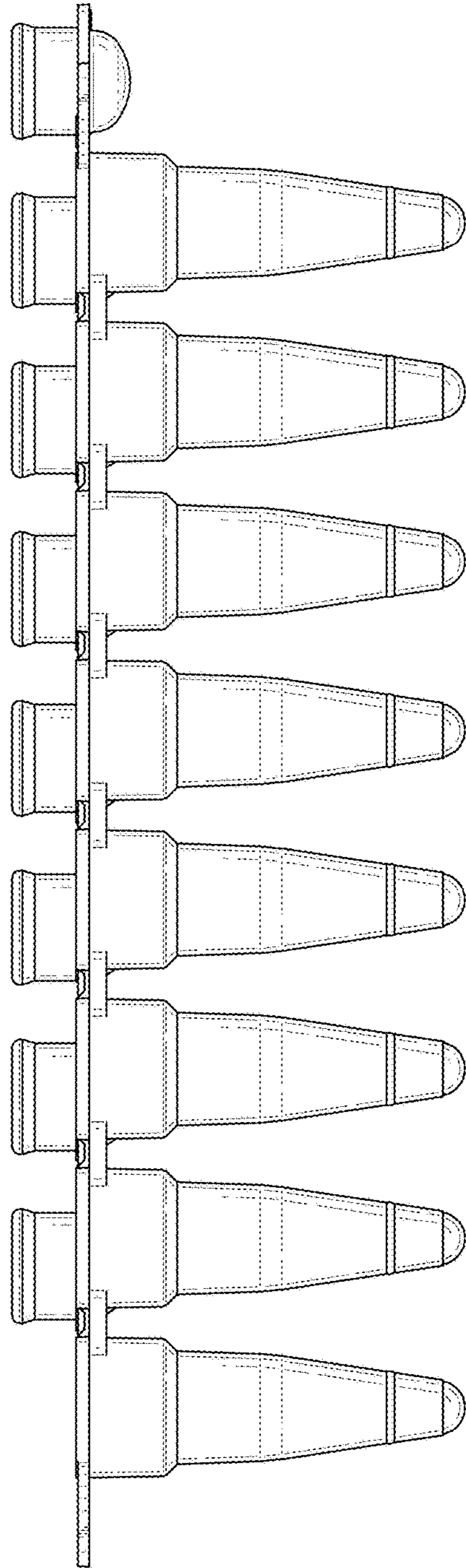


FIG. 2

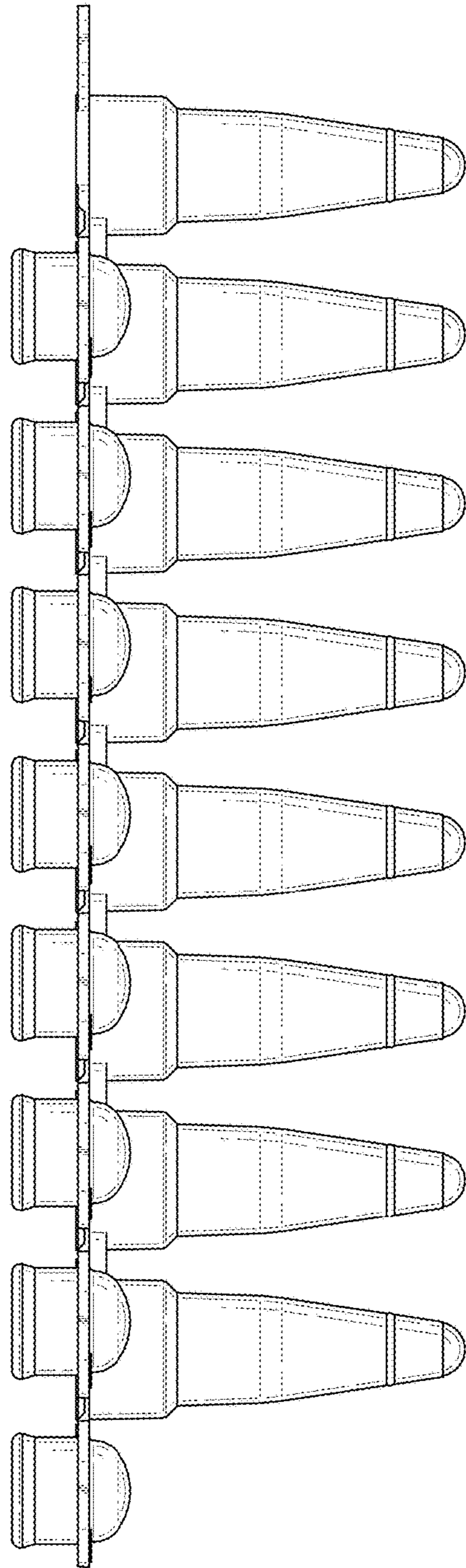


FIG. 3

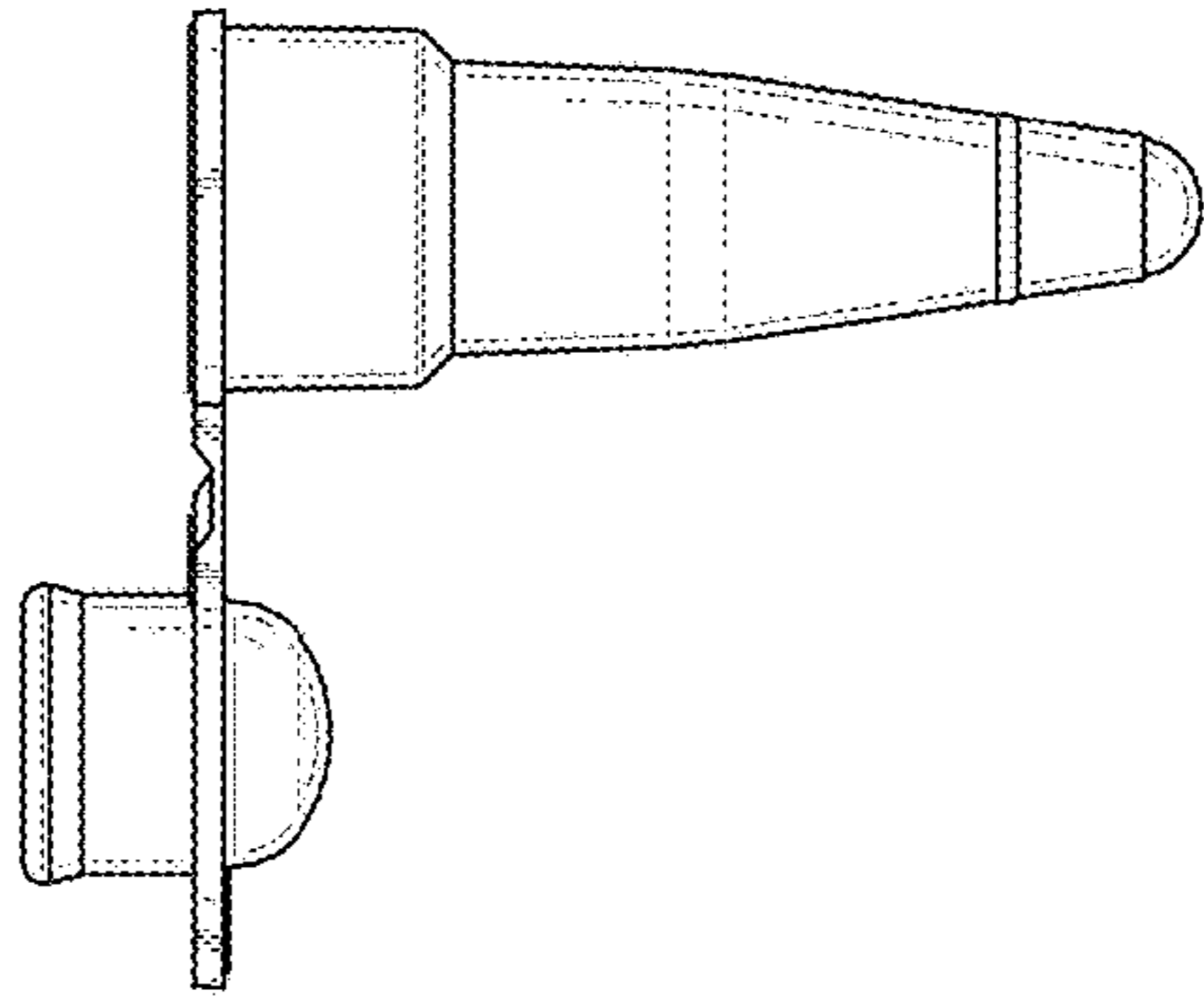


FIG. 5

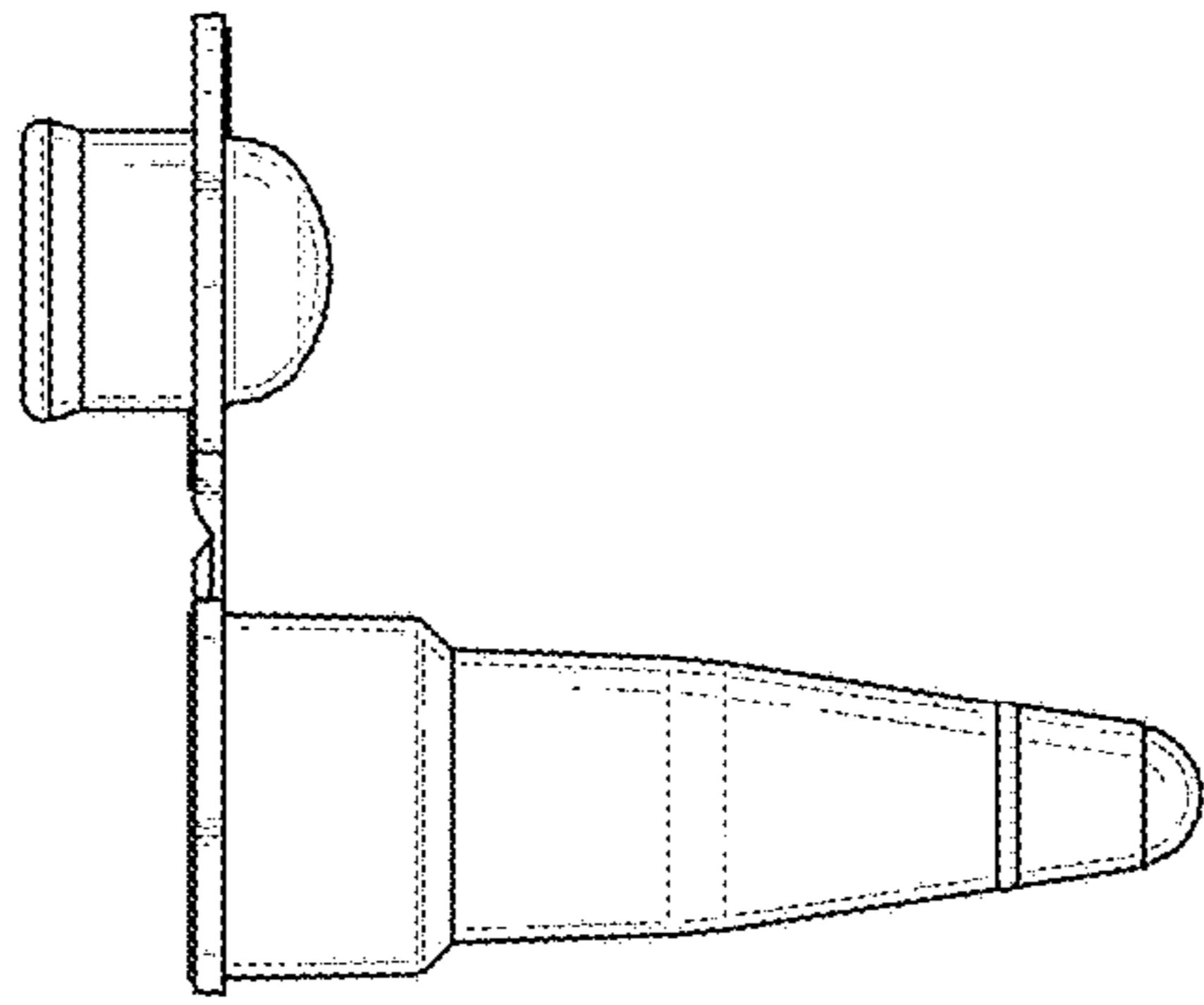


FIG. 4

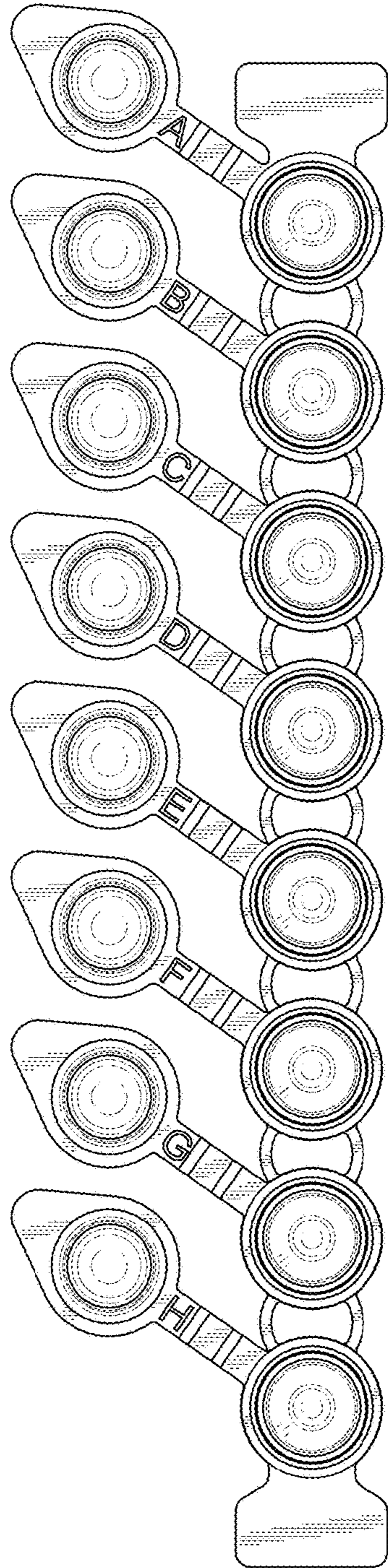


FIG. 6

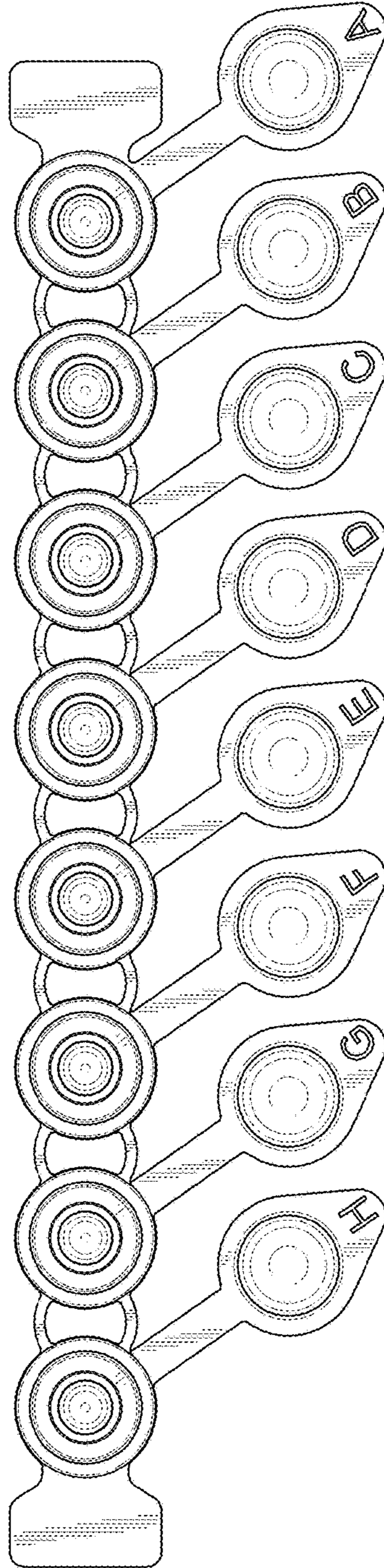


FIG. 7

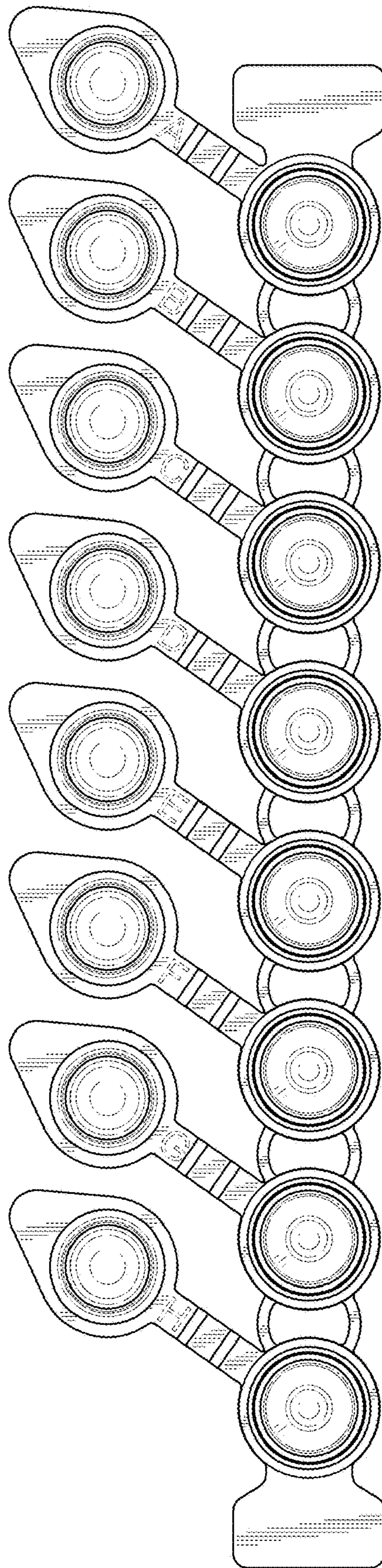


FIG. 8

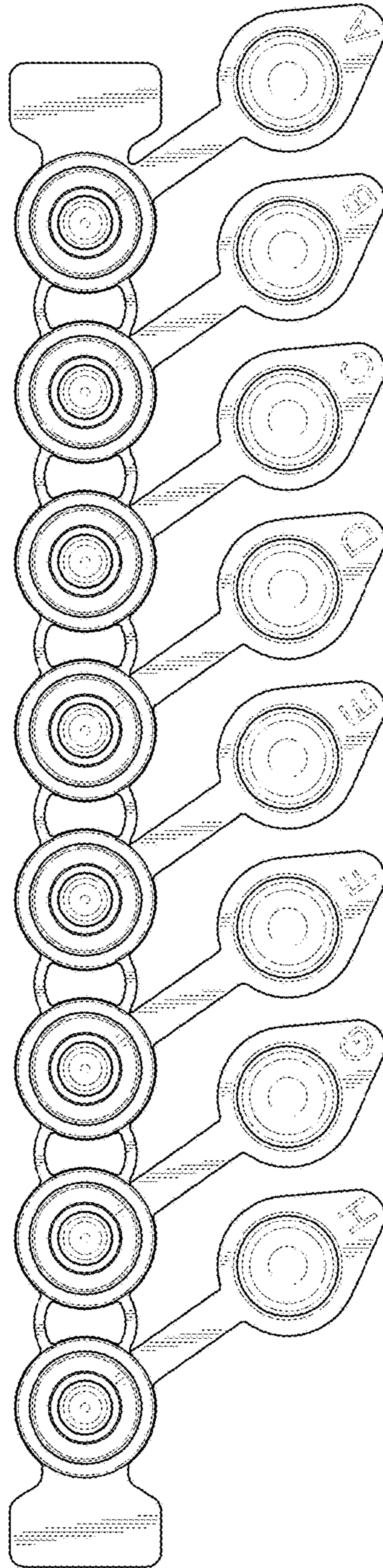


FIG. 9

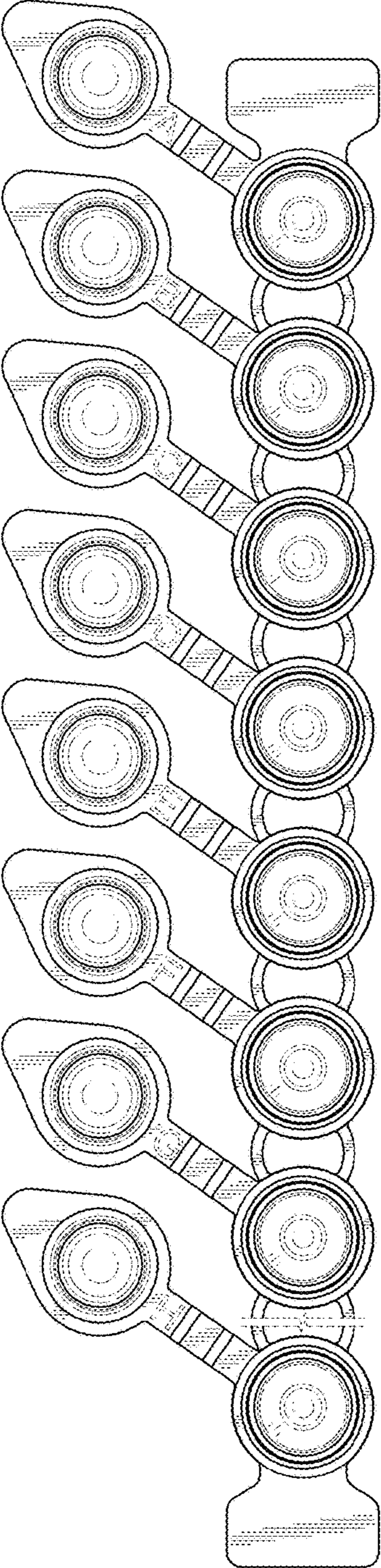


FIG. 10