



US00D862723S

(12) **United States Design Patent**  
**Ouyang**

(10) **Patent No.:** **US D862,723 S**

(45) **Date of Patent:** **\*\* Oct. 8, 2019**

(54) **SMART UV STERILIZER**

(71) Applicant: **SHENZHEN UVLED OPTICAL TECHNOLOGY CO., LTD,**  
ShenZhen, Guangdong (CN)

(72) Inventor: **Chen Yi Ouyang,** NingYuan County,  
Hunan Province (CN)

(73) Assignee: **SHENZHEN UVLED OPTICAL TECHNOLOGY CO., LTD,** ShenZhen  
(CN)

(\*\*) Term: **15 Years**

(21) Appl. No.: **29/645,989**

(22) Filed: **Apr. 30, 2018**

(30) **Foreign Application Priority Data**

Oct. 31, 2017 (CN) ..... 2017 3 0526428

(51) **LOC (12) Cl.** ..... **24-01**

(52) **U.S. Cl.**  
USPC ..... **D24/217**

(58) **Field of Classification Search**  
USPC ..... D24/216, 217, 218, 219, 227-232;  
D32/1, 25; D3/201, 203.1, 203.2, 203.3,  
D3/203.4, 203.6, 294; D7/629; D9/414,  
D9/418, 419, 420, 423, 430, 428, 432;  
422/24, 26, 27, 307; 206/207, 209, 5.1;  
250/455.11; D6/528, 534  
CPC ..... A61L 2/26; A61L 2/24; A61L 2/17; A61L  
2/18; A61L 2/025; A61L 2202/122; A61L  
2202/10; A61L 2202/11; A61L 2202/14;  
A61L 2202/23; A61L 2202/24; A61L  
2202/182

See application file for complete search history.

(56) **References Cited**

U.S. PATENT DOCUMENTS

D404,560	S	*	1/1999	Ullmann	.....	D3/201
D476,423	S	*	6/2003	Picot	.....	D24/217
D483,559	S	*	12/2003	Eldon, III	.....	D3/203.1
D576,790	S	*	9/2008	Swan	.....	D3/201
D629,529	S	*	12/2010	Russell, II	.....	D24/217
D680,225	S	*	4/2013	Boonprasop	.....	D24/217
D689,135	S	*	9/2013	Clover	.....	D19/86
D733,979	S	*	7/2015	Marks	.....	D32/1
D752,827	S	*	3/2016	Colayco	.....	D32/1
D805,294	S	*	12/2017	Edwards	.....	D3/203.2
2016/0250364	A1	*	9/2016	Levy	.....	A61L 2/10 606/186
2017/0100496	A1	*	4/2017	Shur	.....	A23L 3/003

\* cited by examiner

*Primary Examiner* — Barbara Fox

*Assistant Examiner* — Mary Shannon Malley

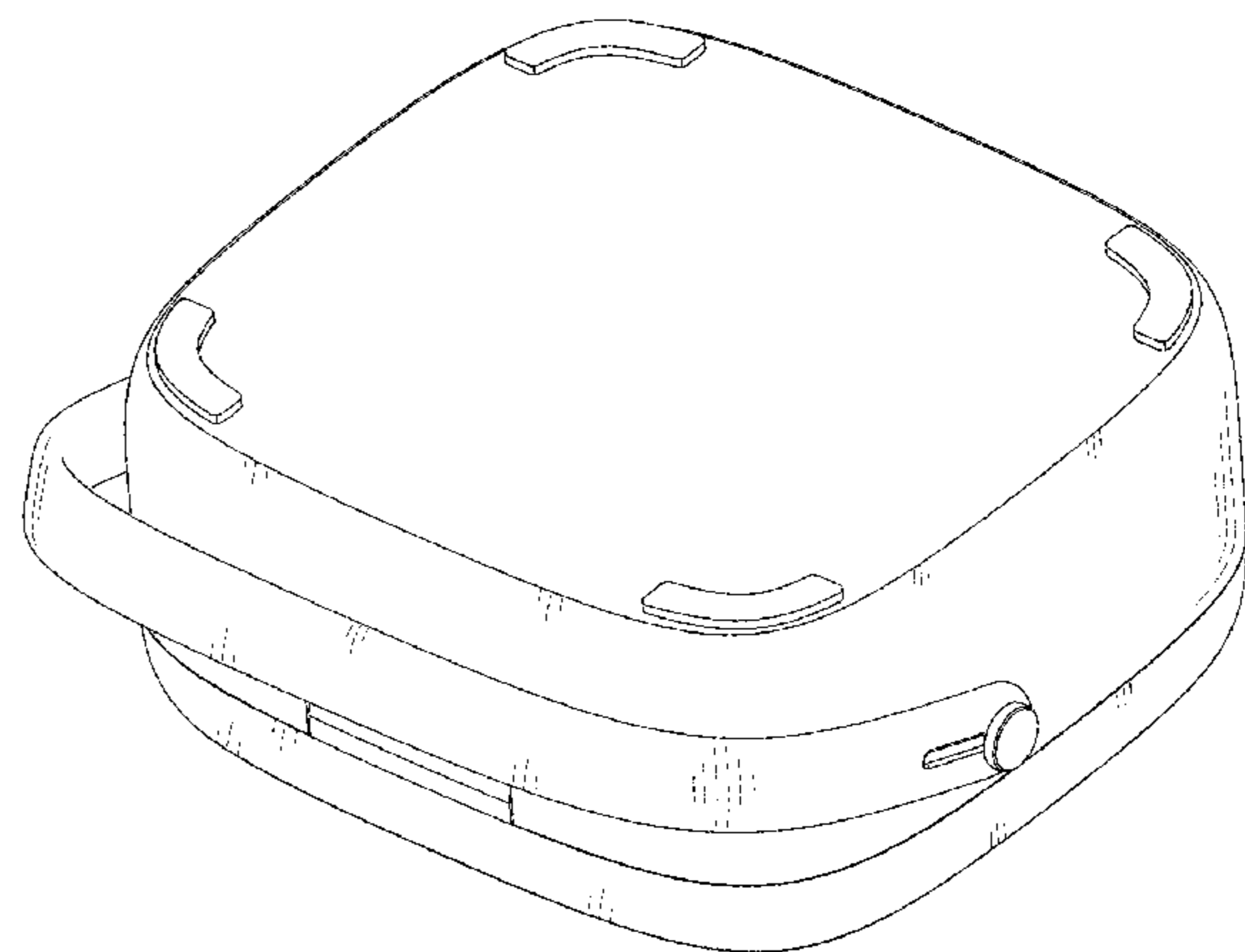
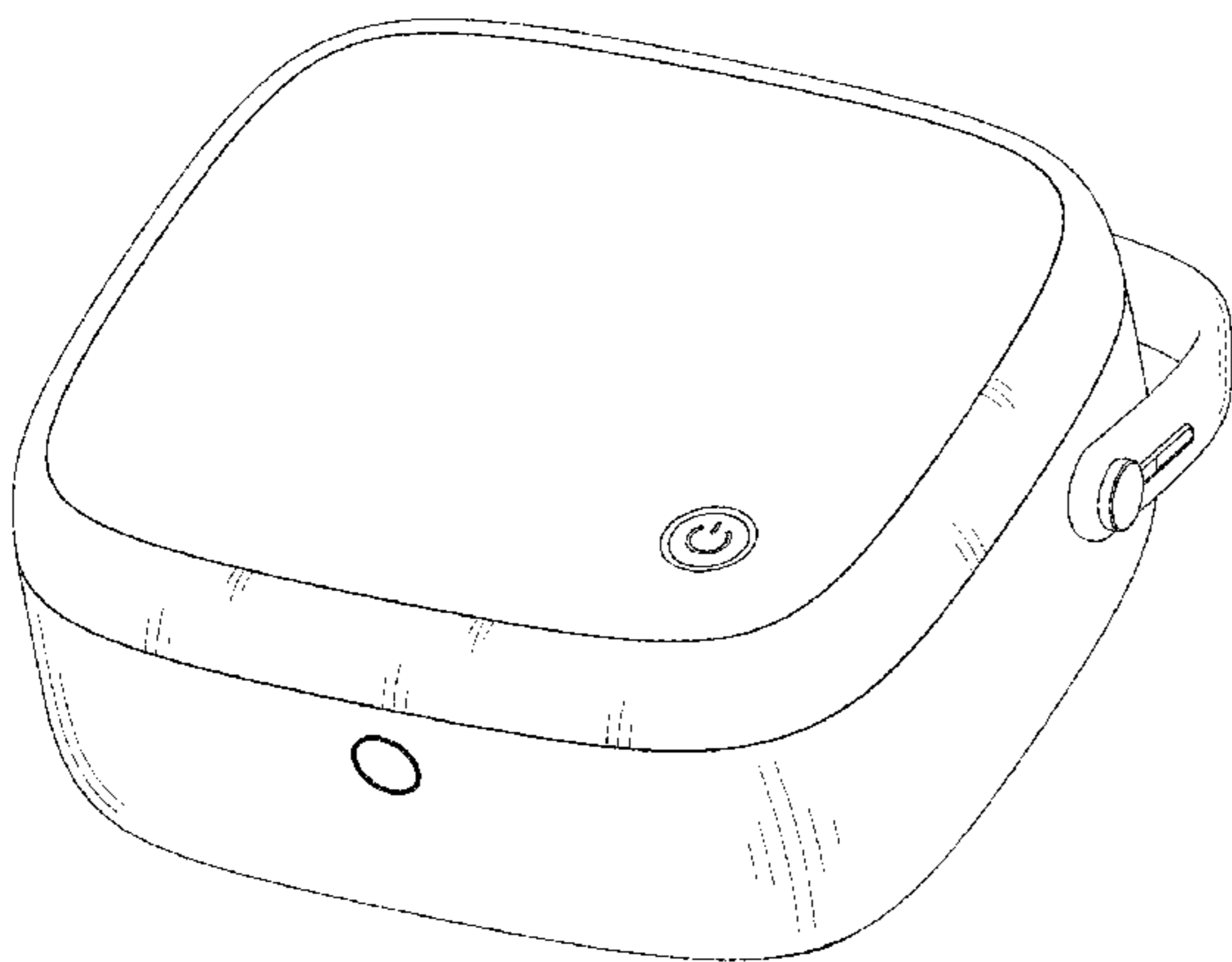
(57) **CLAIM**

I claim the ornamental design for a smart UV sterilizer, as shown and described.

**DESCRIPTION**

FIG. 1 is a perspective view of a smart UV sterilizer, showing my new design;  
FIG. 2 is another perspective view thereof;  
FIG. 3 is a front view thereof;  
FIG. 4 is a rear view thereof;  
FIG. 5 is a left side view thereof;  
FIG. 6 is a right side view thereof;  
FIG. 7 is a top plan view thereof; and,  
FIG. 8 is a bottom plan view thereof.

**1 Claim, 8 Drawing Sheets**



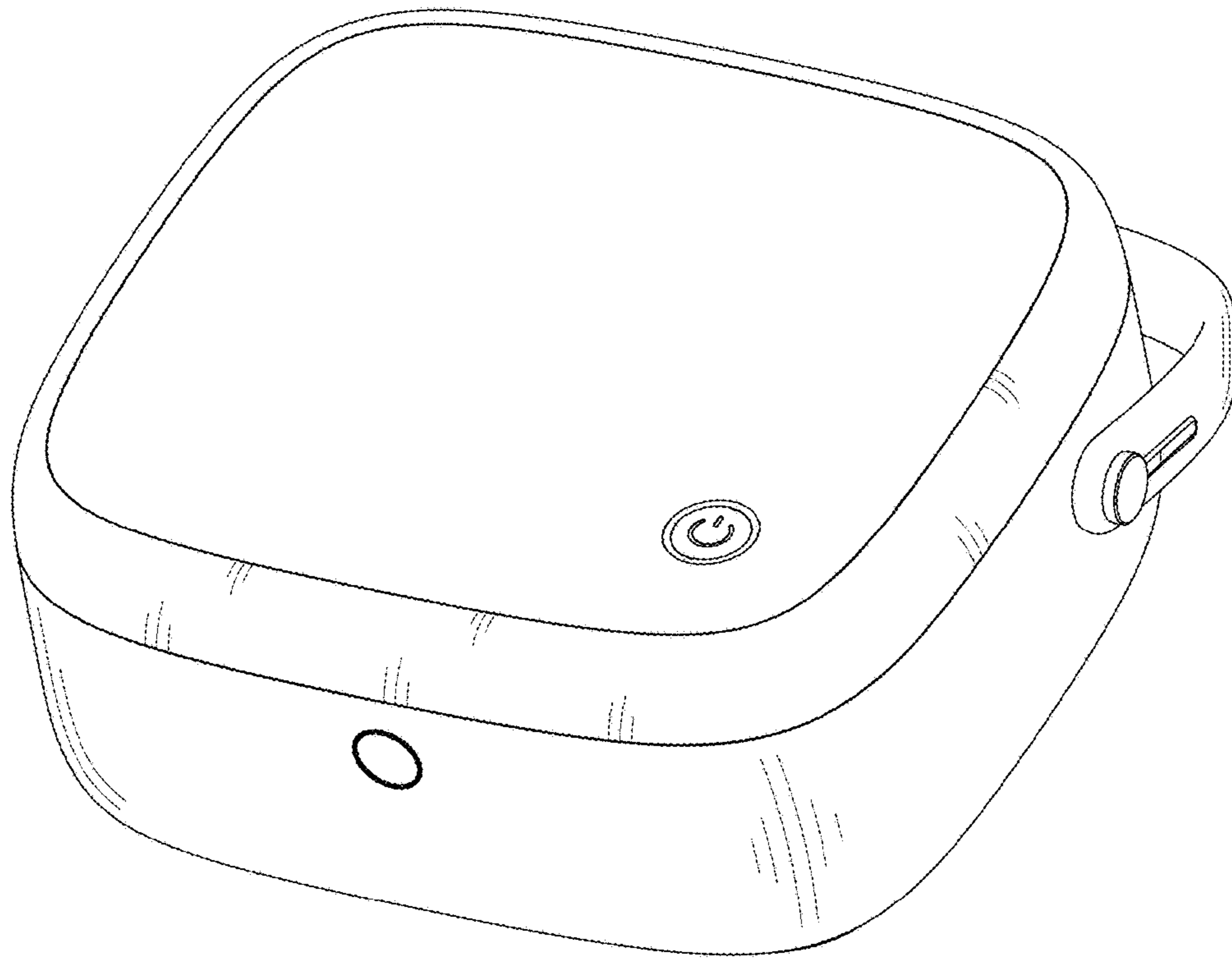


FIG. 1

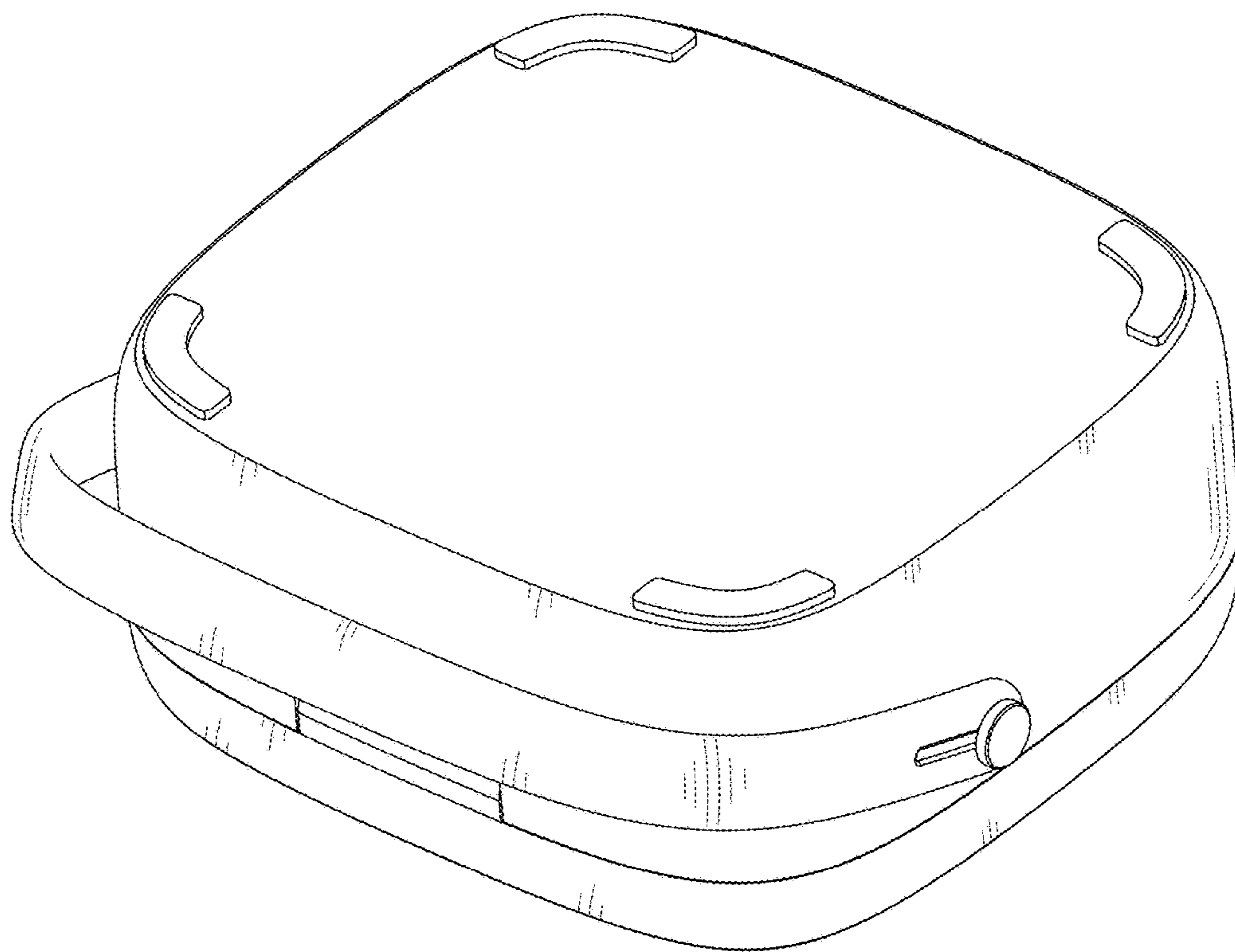


FIG. 2

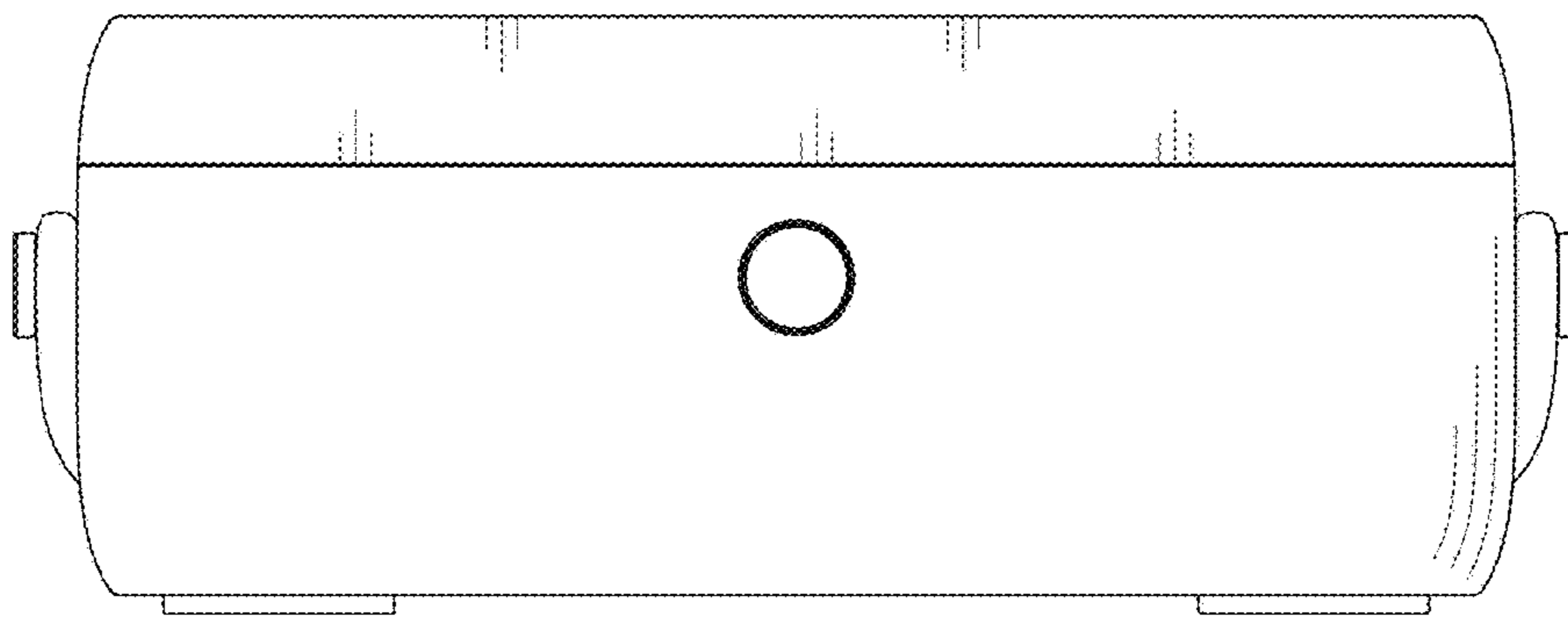


FIG. 3

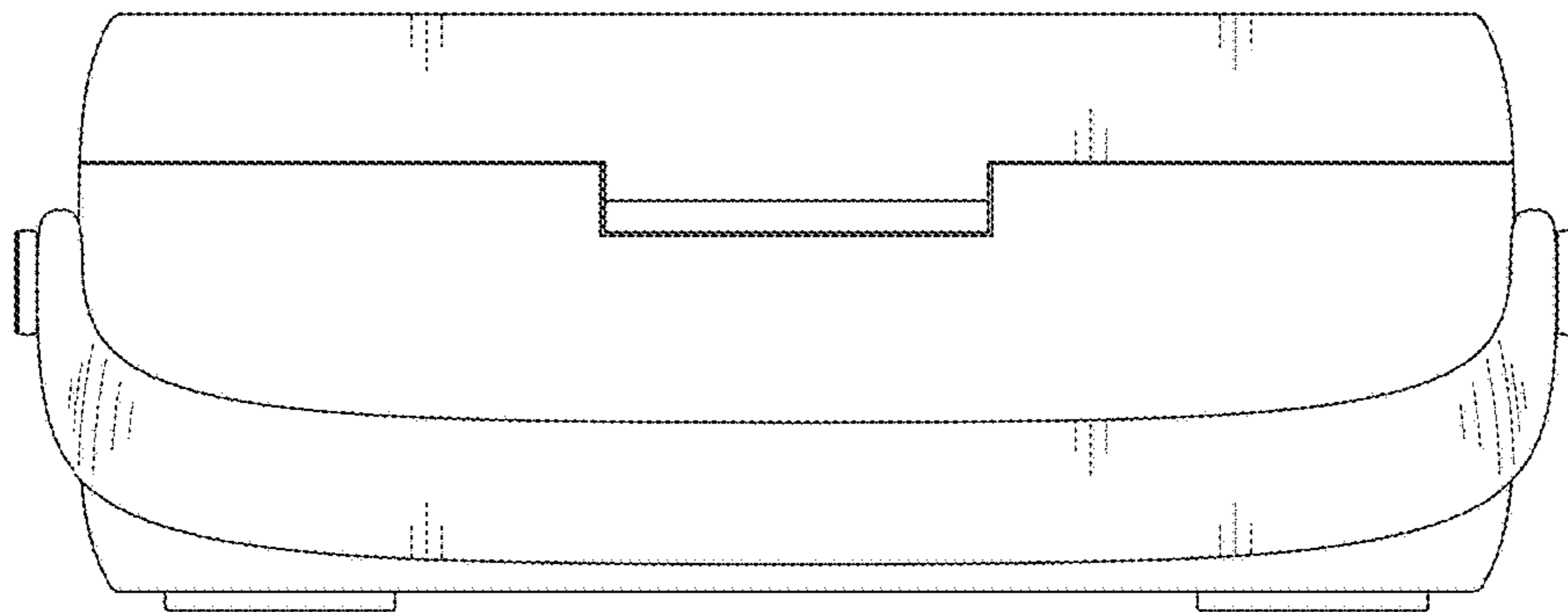


FIG. 4

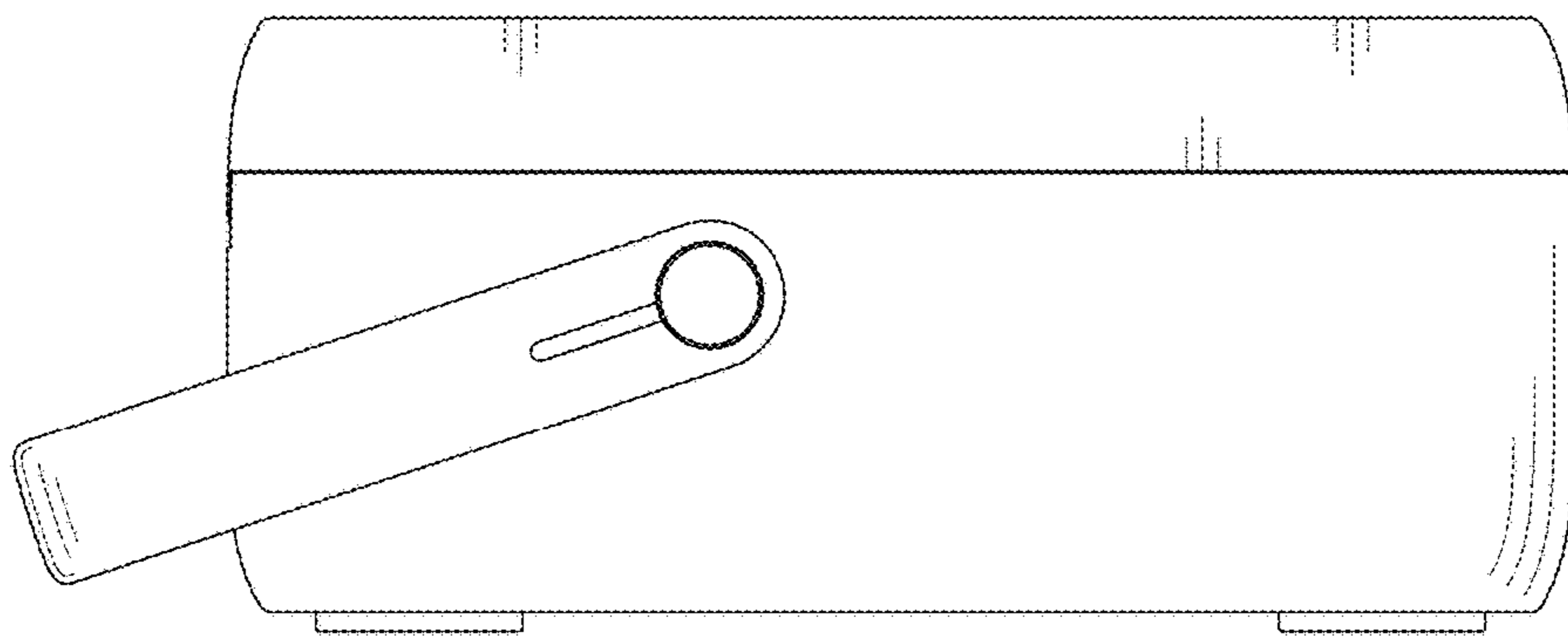


FIG. 5

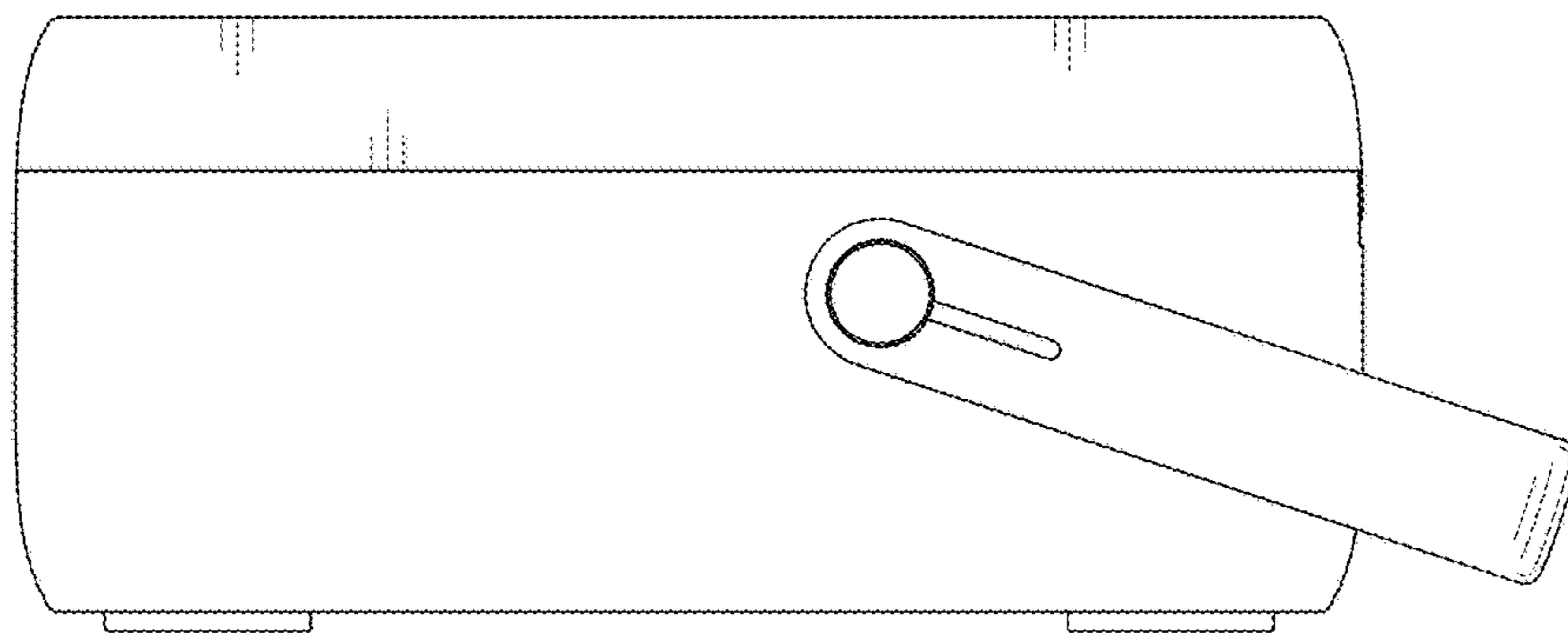


FIG. 6

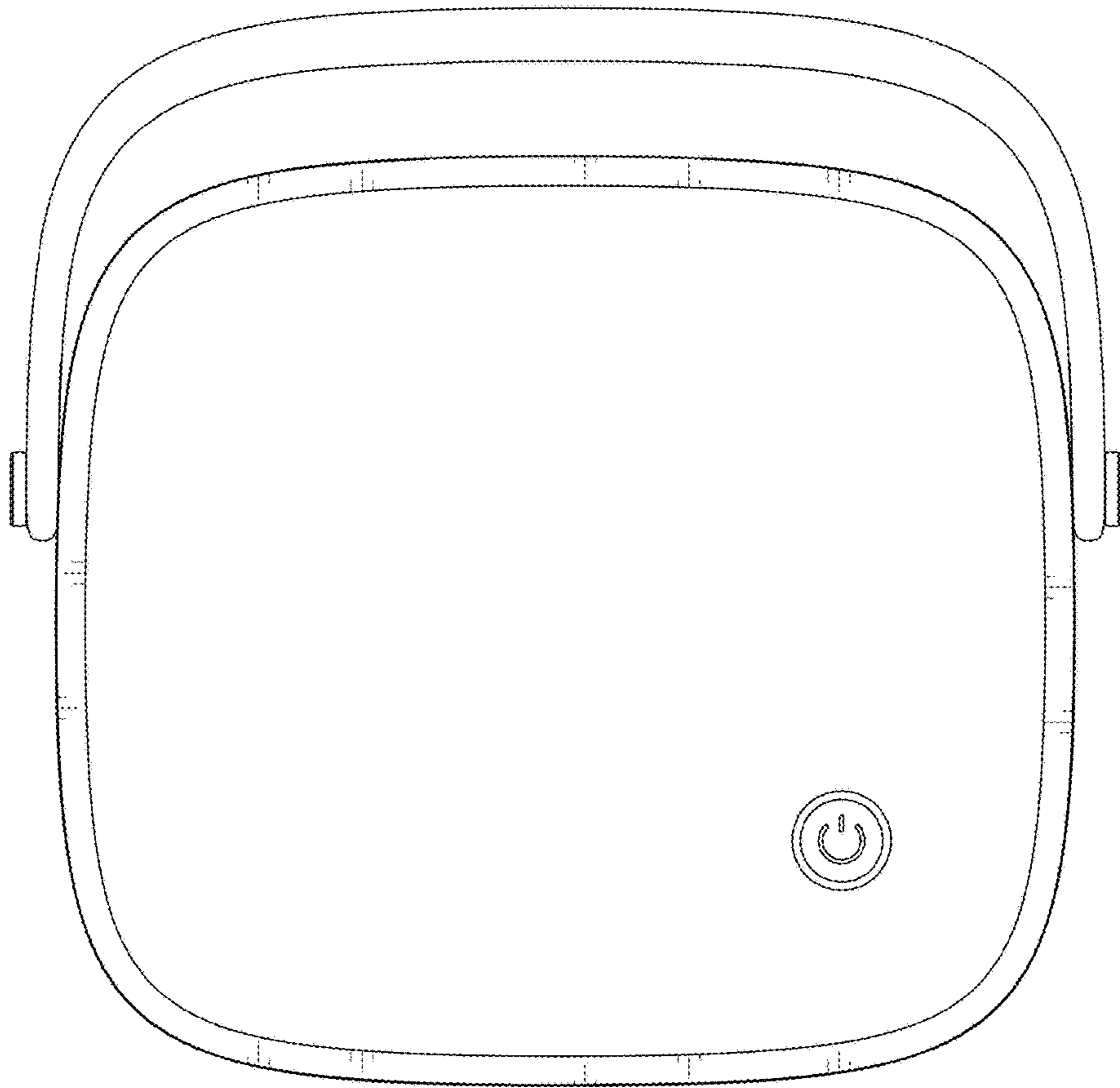


FIG. 7



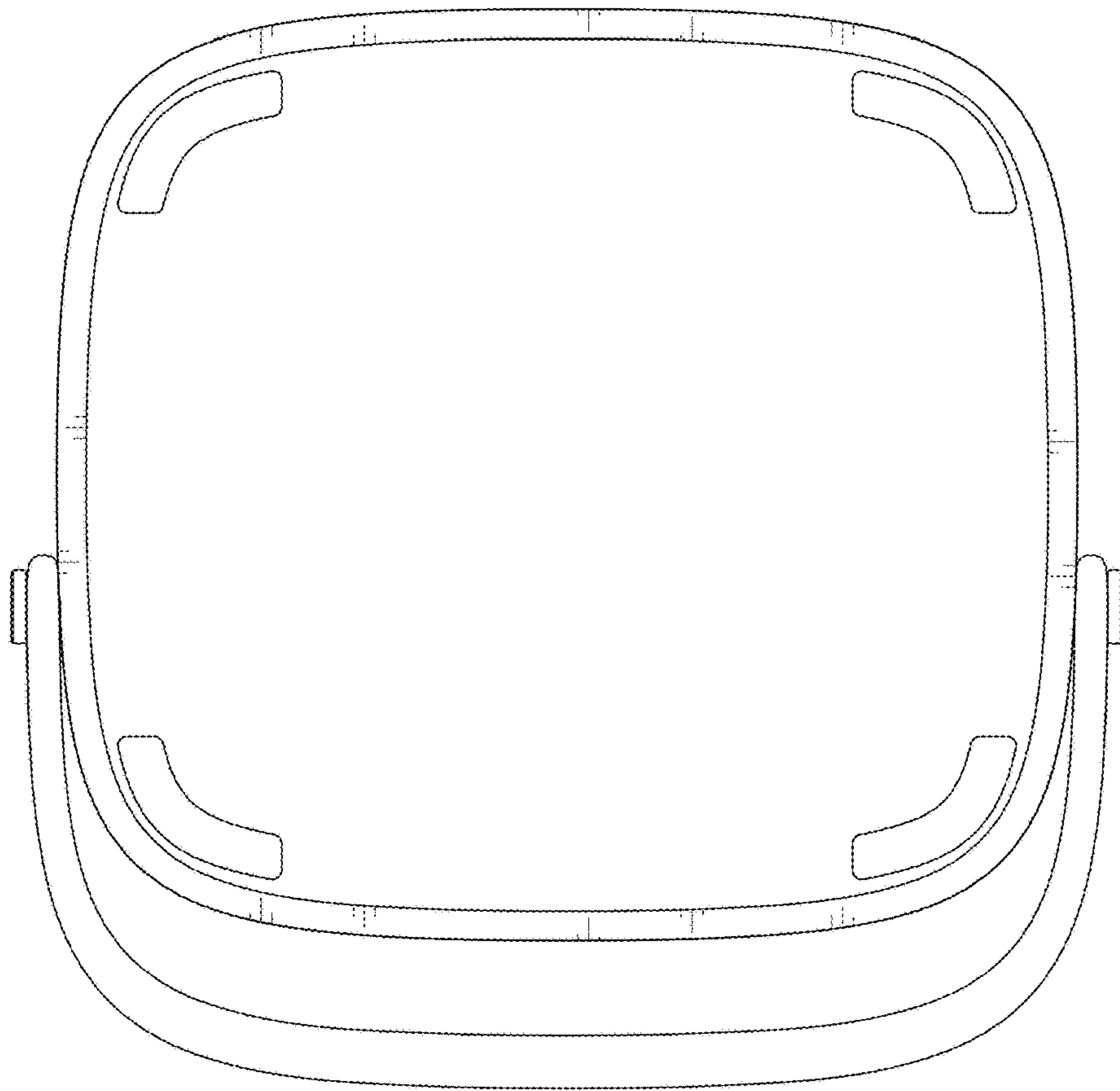


FIG. 8