

US00D862721S

(12) **United States Design Patent** (10) **Patent No.:** **US D862,721 S**
Friend (45) **Date of Patent:** **** Oct. 8, 2019**

(54) **PERSONAL CARE APPLIANCE**
(71) Applicant: **MICHAEL TODD BEAUTY LP**, Port St. Lucie, FL (US)
(72) Inventor: **Michael Friend**, Port St. Lucie, FL (US)
(73) Assignee: **MICHAEL TODD BEAUTY LP**, Port St. Lucie, FL (US)

D531,733 S * 11/2006 Burout, III D24/215
7,318,828 B1 1/2008 Revivo
7,384,405 B2 6/2008 Rhoades
(Continued)

FOREIGN PATENT DOCUMENTS

FR 2845586 A1 4/2004
WO 2005070313 A1 8/2005
(Continued)

(**) Term: **15 Years**

OTHER PUBLICATIONS

(21) Appl. No.: **29/656,403**
(22) Filed: **Jul. 12, 2018**
(51) **LOC (12) Cl.** **28-03**
(52) **U.S. Cl.**
USPC **D24/214**
(58) **Field of Classification Search**
USPC 601/15, 18, 19, 46, 47, 48, 52, 99, 112, 601/113, 118, 125, 129, 134, 135, 137, 601/DIG. 12, DIG. 14, DIG. 15, DIG. 16, 601/DIG. 17; D24/133, 200, 211, 212, D24/213, 214, 215; 600/38, 39, 40, 41; D30/160; D26/45; D28/56, 58
CPC A61H 19/30; A61H 2201/0153; A61H 23/02; A61H 2015/0014; A61H 23/00; A61B 17/1325

Amazon, "Michael Todd Sonic Refresher Wet/Dry Sonic . . .", Nov. 8, 2018. https://www.amazon.com/Michael-Todd-Refresher-Microdermabrasion-Technology/dp/B07GBBWTLH/ref=pd_ybh_a_1?encoding=UTF8&refRID=35JPGZDCWEAN1EXHDGEJ&th=1. Shown on p. 1. (Year: 2018).*

Primary Examiner — Cynthia Ramirez
Assistant Examiner — Michael A Maharajh
(74) *Attorney, Agent, or Firm* — Eckert Seamans Cherin & Mellott, LLC; Philip E. Levy

See application file for complete search history.

(57) **CLAIM**

The ornamental design for a personal care appliance, as shown and described.

DESCRIPTION

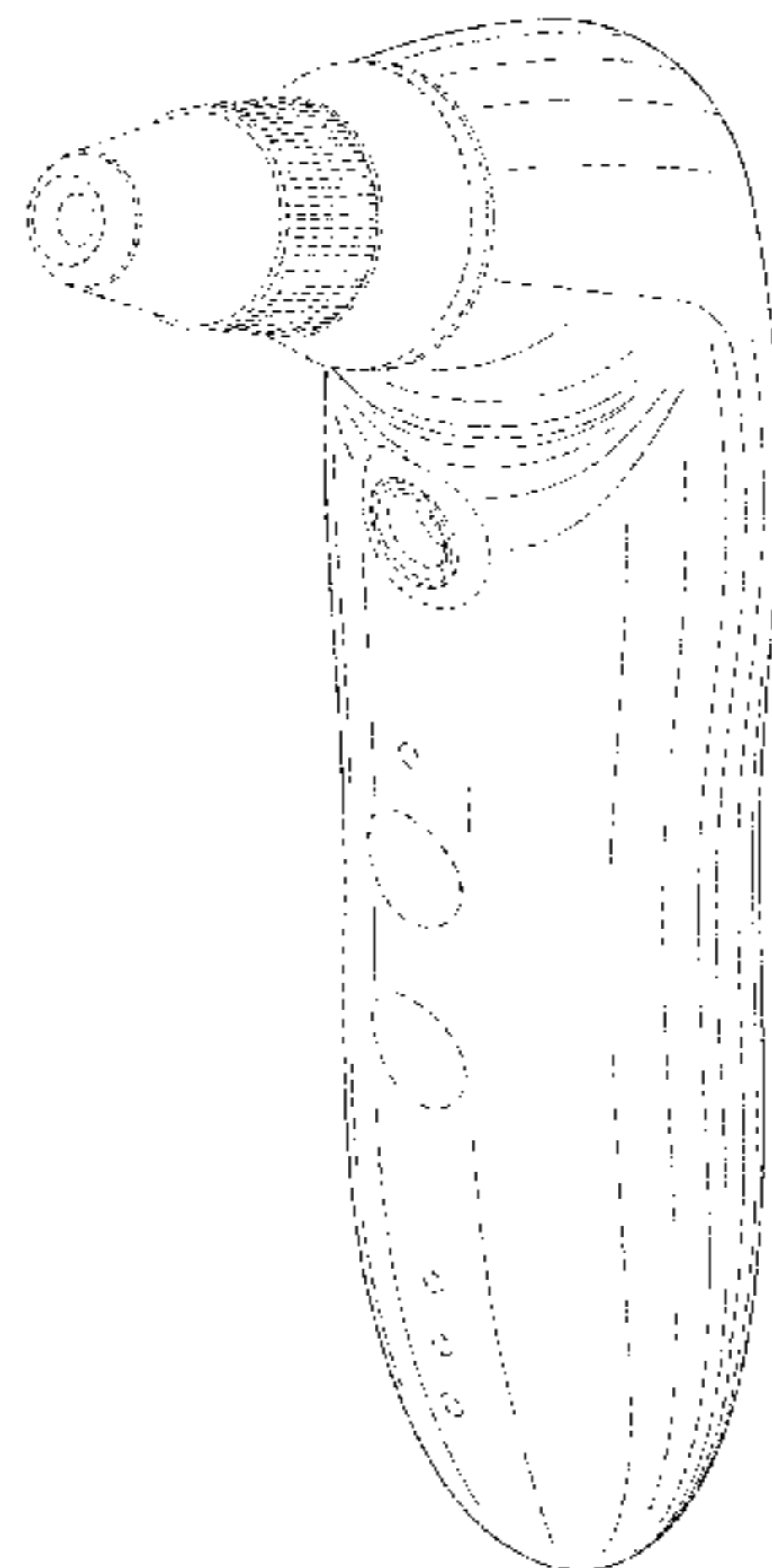
FIG. 1 is a front isometric view of a personal care appliance showing my new design;
FIG. 2 is a rear isometric view thereof;
FIG. 3 is a front elevation view thereof;
FIG. 4 is rear elevation view thereof;
FIG. 5 is a right side elevation view thereof;
FIG. 6 is a left side elevation view thereof;
FIG. 7 is a top plan view thereof; and,
FIG. 8 is a bottom plan view thereof.
The broken lines shown in the figures are for the purpose of illustrating portions of the personal care appliance, which form no part of the claimed design.

(56) **References Cited**

U.S. PATENT DOCUMENTS

D263,872 S * 4/1982 Rakocy D24/214
D281,625 S * 12/1985 Yuen D24/211
D321,056 S * 10/1991 Chambers D24/211
D323,034 S * 1/1992 Reinstein D24/200
D329,291 S * 9/1992 Wollman D24/200
D331,288 S * 11/1992 Yuen D24/200
D415,283 S * 10/1999 Moon D24/214
D425,241 S * 5/2000 Nishizawa D28/9
D447,811 S * 9/2001 Yiu D24/214
6,673,082 B2 1/2004 Mallett et al.

1 Claim, 8 Drawing Sheets



(56)

References Cited

U.S. PATENT DOCUMENTS

D589,650 S * 3/2009 Adriaenssen D24/133
 7,572,238 B2 8/2009 Rhoades
 D609,817 S * 2/2010 Piller D24/215
 D649,636 S * 11/2011 Bean D24/133
 8,128,638 B2 3/2012 Karasiuk et al.
 8,343,116 B2 1/2013 Ignon et al.
 D684,723 S * 6/2013 Tsai D24/133
 8,518,001 B2 8/2013 Hasenoehrl et al.
 D695,903 S * 12/2013 Tamsiran D24/209
 D703,337 S * 4/2014 Fuhr D24/200
 D706,980 S * 6/2014 Tasar D24/133
 9,107,486 B2 * 8/2015 Brewer A45D 34/042
 D747,800 S * 1/2016 Dunleavy D24/133
 D759,831 S * 6/2016 Levi D24/200
 9,462,873 B2 * 10/2016 Casasanta, III A45D 40/262
 9,486,615 B2 11/2016 Ignon et al.
 D787,083 S * 5/2017 Ely D24/209
 D794,854 S * 8/2017 Zepter D24/200
 D795,423 S * 8/2017 Chen D24/133
 9,730,758 B2 * 8/2017 Carlucci A46B 13/008
 9,750,533 B2 9/2017 Brewer et al.
 9,775,646 B2 10/2017 Shaddock

9,925,111 B2 * 3/2018 Caberlotto A61H 15/0085
 9,925,112 B2 * 3/2018 Caberlotto A61H 15/0085
 9,925,113 B2 * 3/2018 Caberlotto A61H 15/0085
 9,950,147 B2 * 4/2018 Mehta A61M 35/003
 D819,221 S * 5/2018 Lei D24/200
 10,058,351 B2 * 8/2018 Hendler A61B 17/54
 D836,792 S * 12/2018 Fuhner D24/215
 10,182,642 B2 * 1/2019 Khormaei A46B 7/08
 D843,656 S * 3/2019 Zhang D24/133
 D847,363 S * 4/2019 Aulwes D24/215
 D848,013 S * 5/2019 Fuhner D24/215
 2004/0254588 A1 12/2004 Kim
 2012/0209294 A1 8/2012 Bitaraf et al.
 2013/0158547 A1 6/2013 David
 2016/0038183 A1 2/2016 Ignon et al.
 2016/0106468 A1 4/2016 Jansen et al.
 2016/0324373 A1 11/2016 Planard-Luong
 2017/0036002 A1 2/2017 Ignon et al.
 2017/0266424 A1 9/2017 Ignon et al.

FOREIGN PATENT DOCUMENTS

WO 2007147731 A2 12/2007
 WO 2014118596 A1 8/2014

* cited by examiner

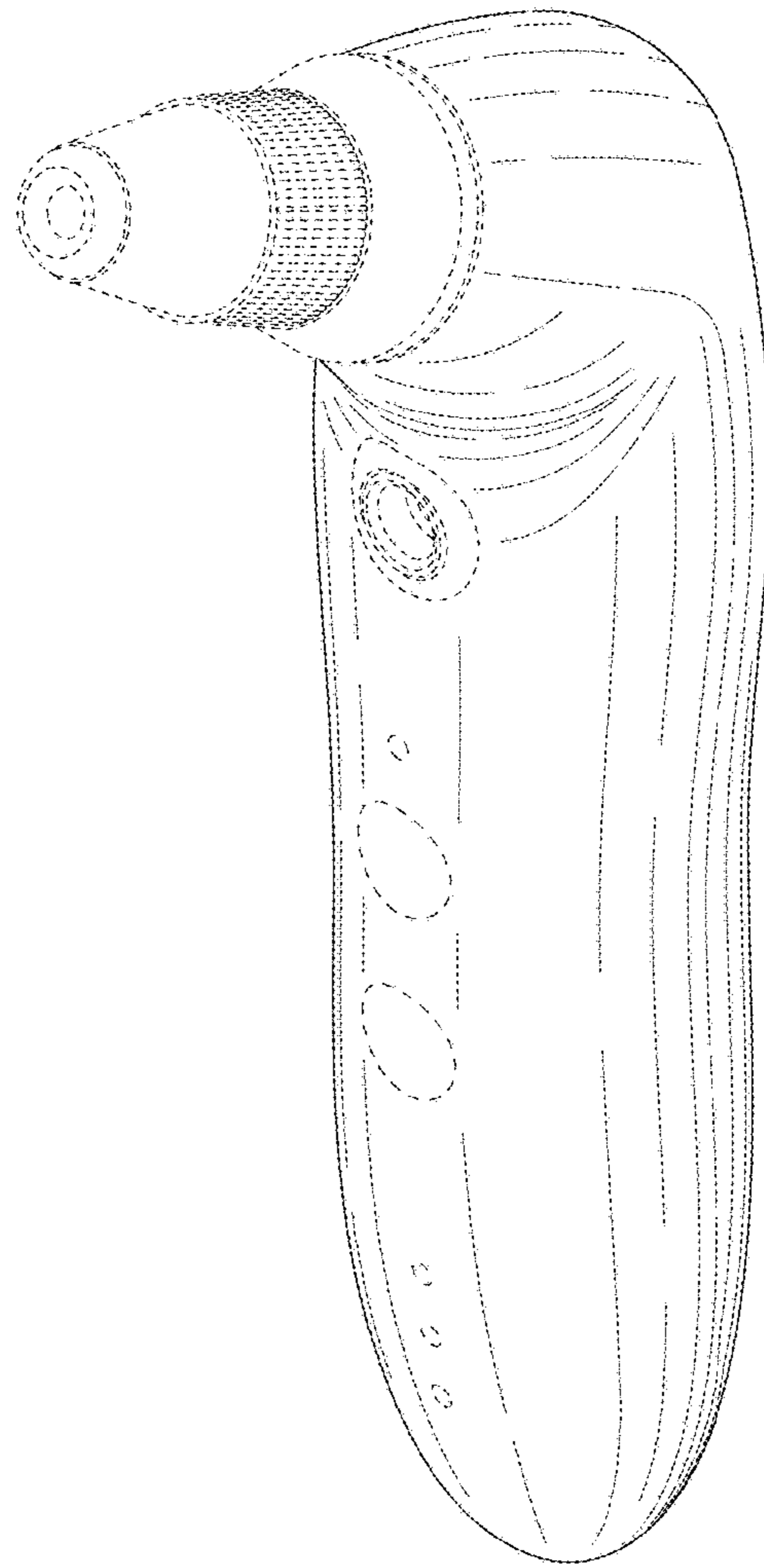


FIG. 1

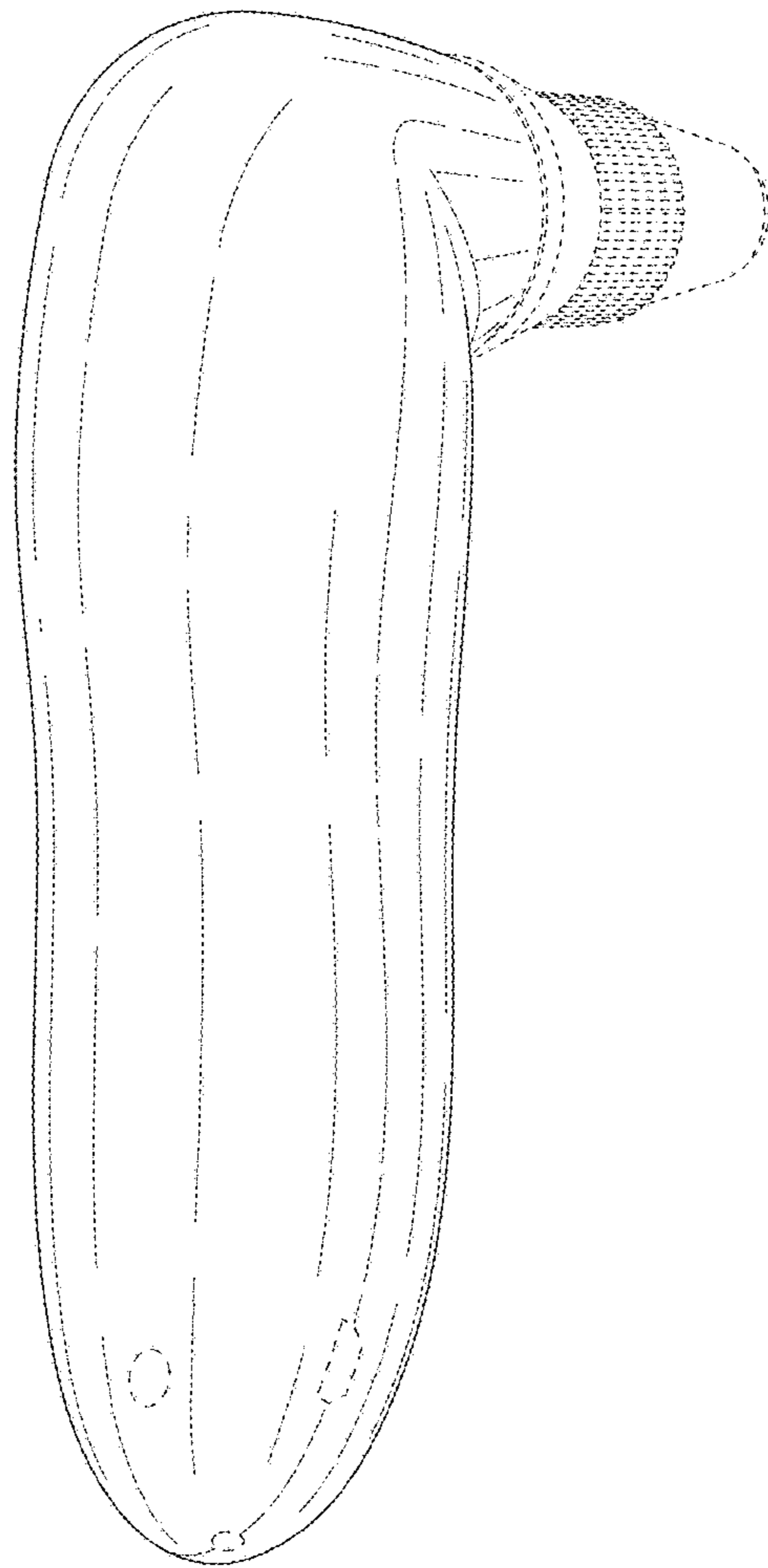


FIG. 2

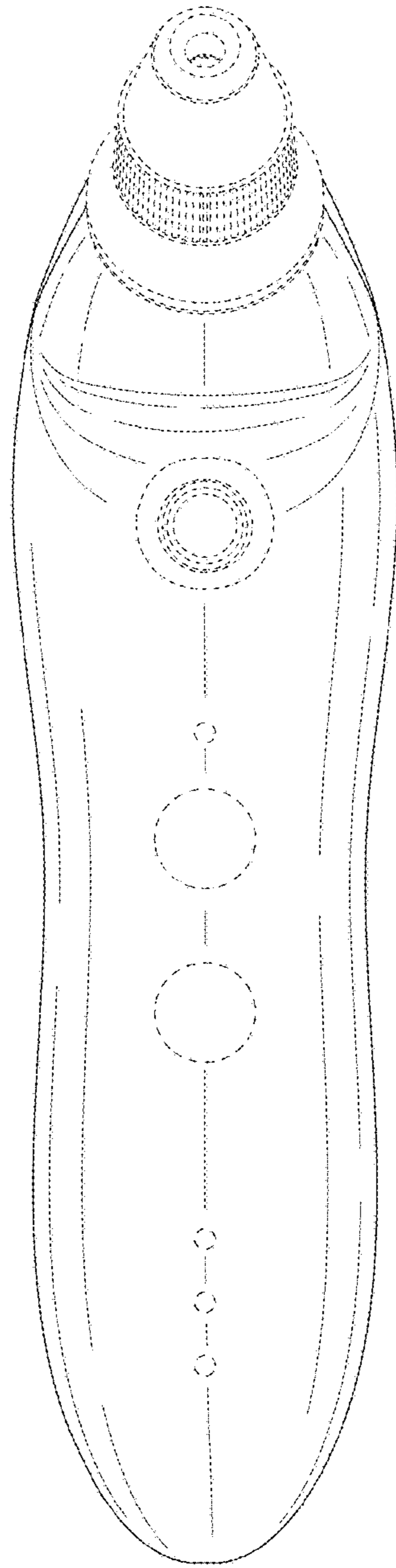


FIG. 3

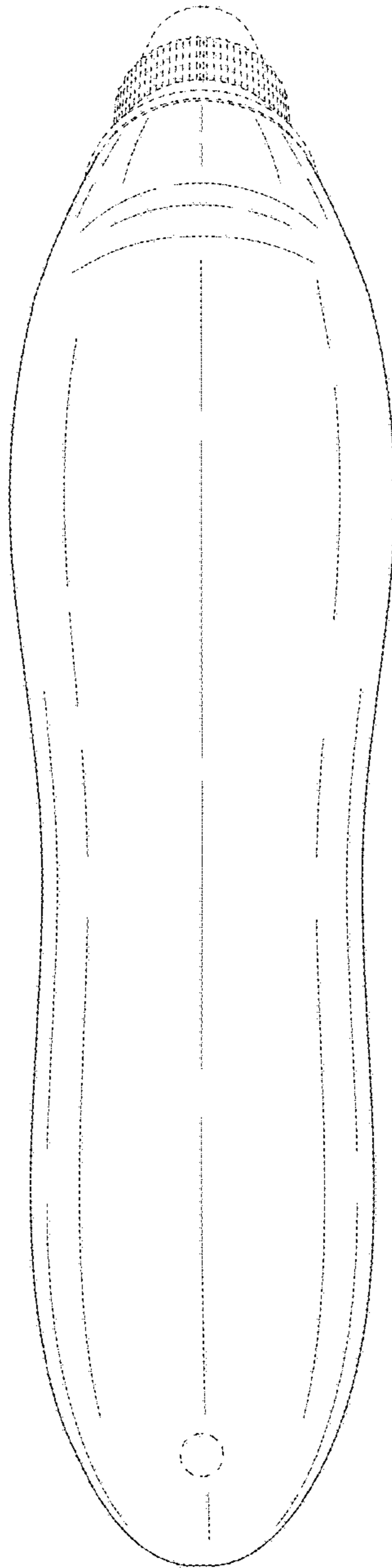


FIG. 4

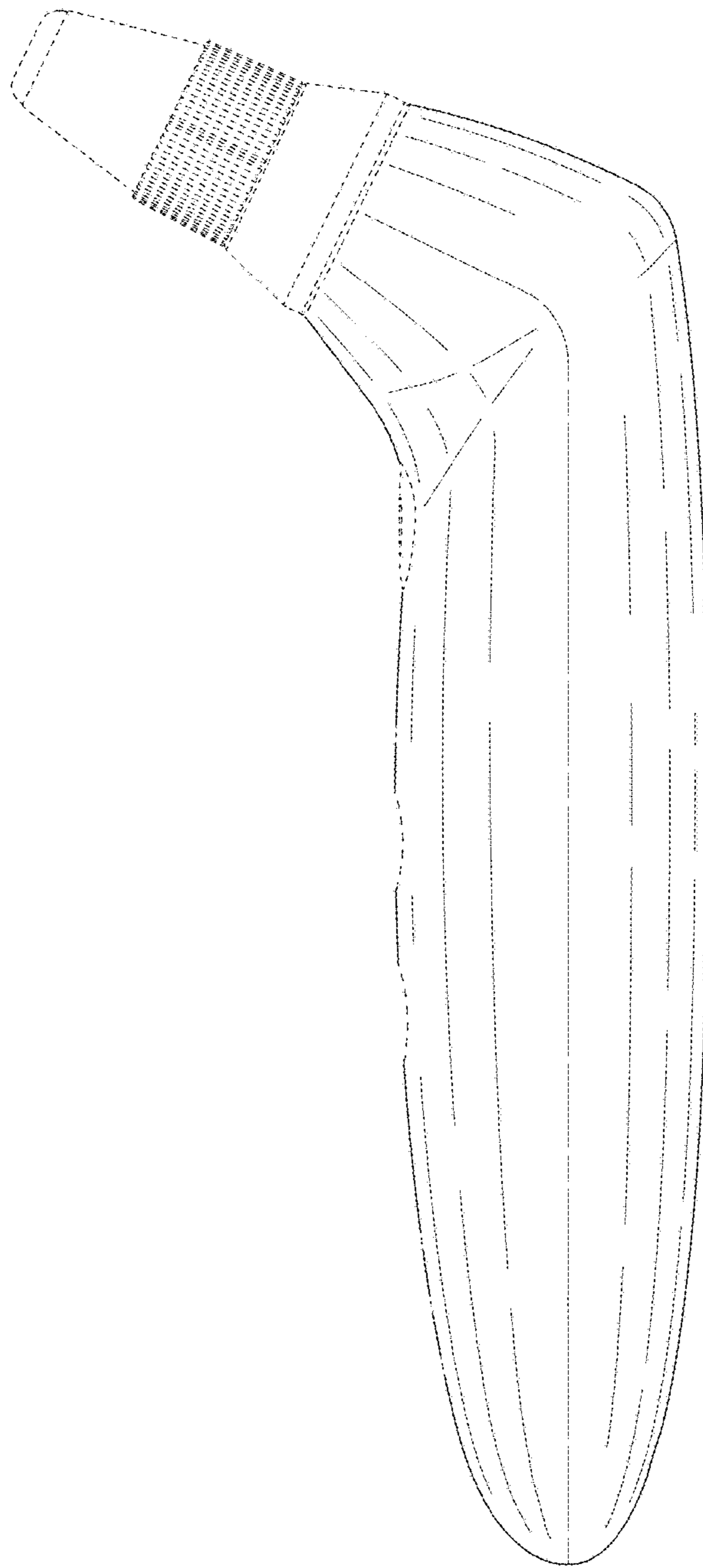


FIG. 5

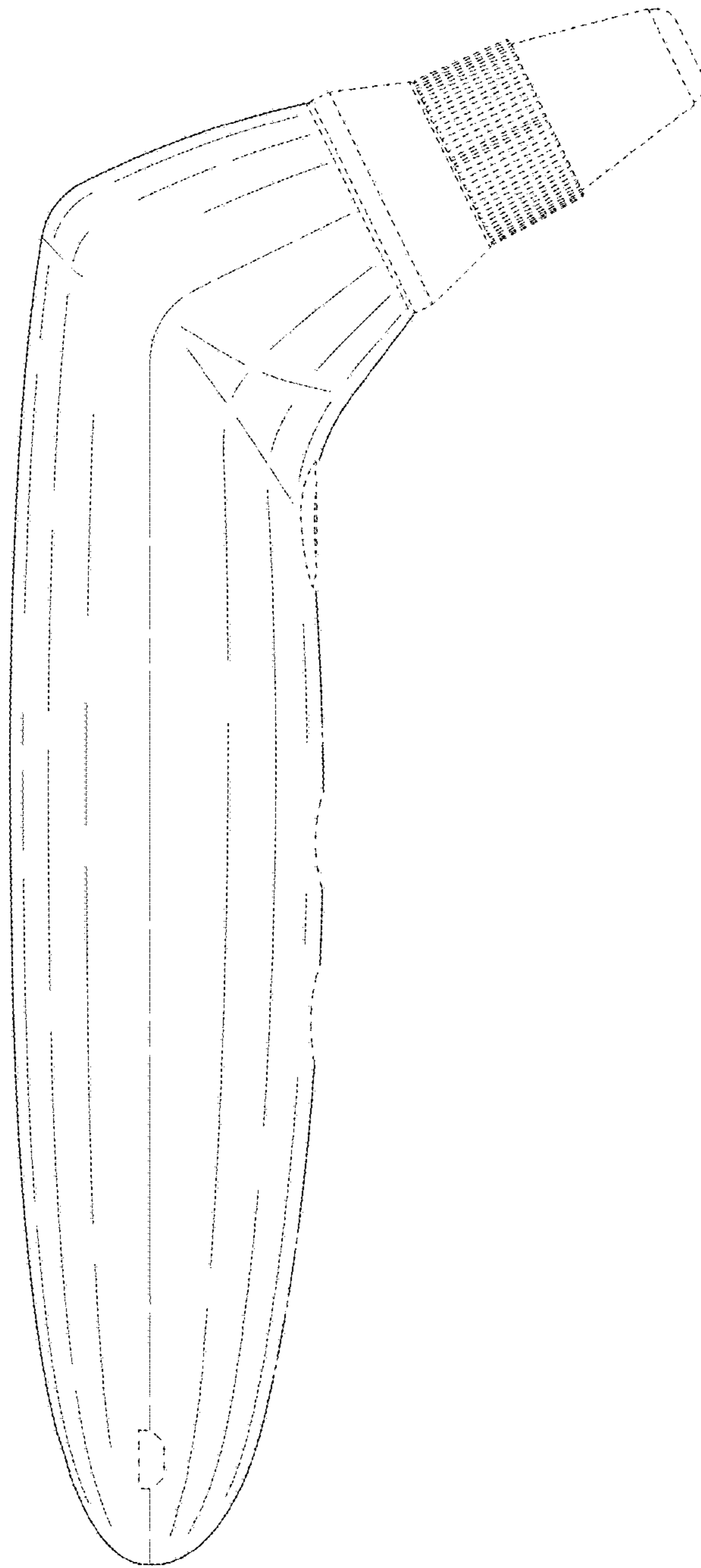


FIG. 6

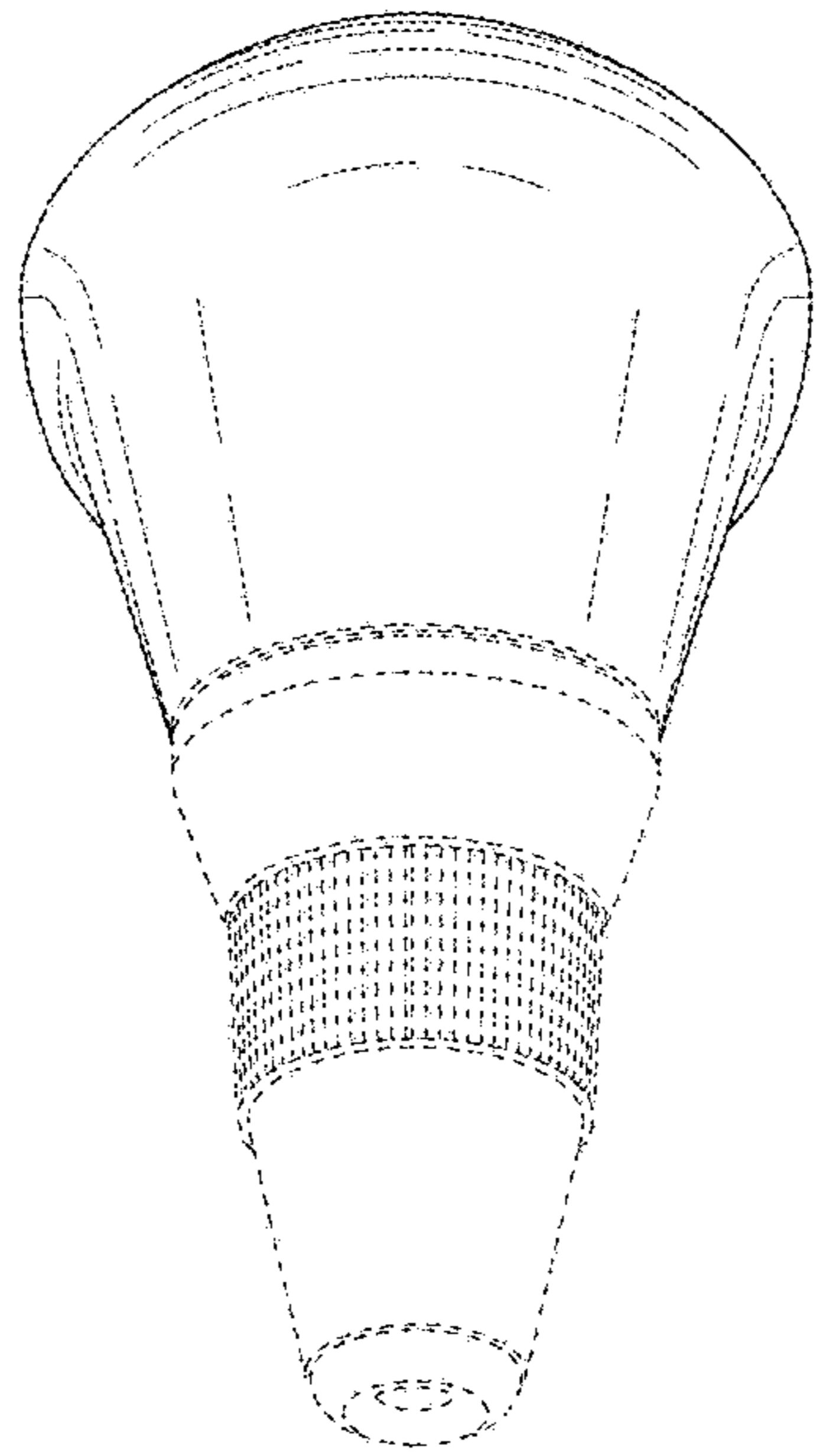


FIG. 7

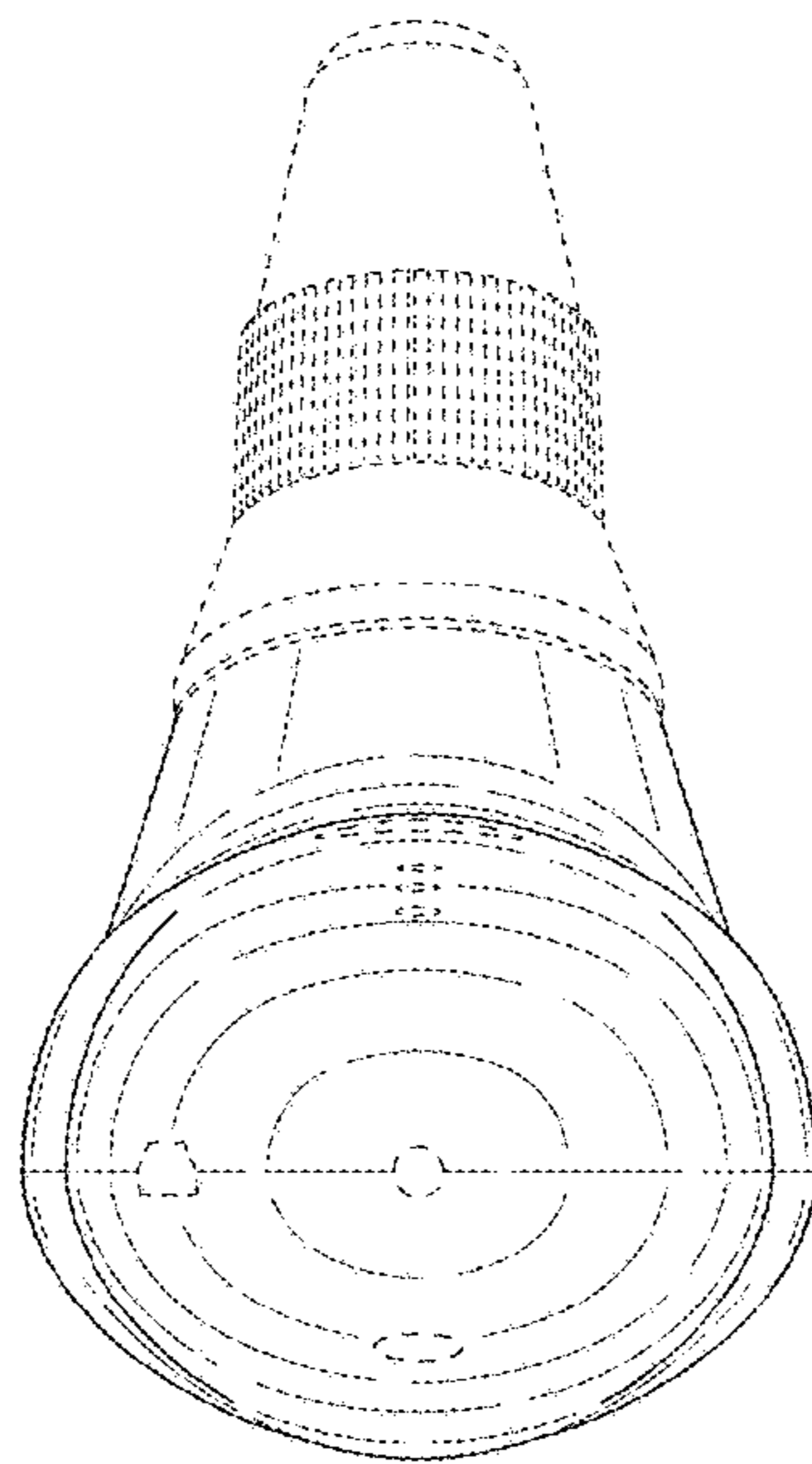


FIG. 8