

US00D862720S

(12) **United States Design Patent**
Cutone

(10) **Patent No.:** **US D862,720 S**

(45) **Date of Patent:** **** Oct. 8, 2019**

(54) **HEATABLE INSERT**

(71) Applicant: **Siobhan Cutone**, Redmond, WA (US)

(72) Inventor: **Siobhan Cutone**, Redmond, WA (US)

(**) Term: **15 Years**

(21) Appl. No.: **29/622,824**

(22) Filed: **Oct. 19, 2017**

(51) **LOC (12) Cl.** **24-04**

(52) **U.S. Cl.**
USPC **D24/206**

(58) **Field of Classification Search**
USPC D24/206–208, 183, 200; D2/602, 604,
D2/609, 860

CPC A61F 7/00; A61F 7/007; A61F 7/08; A61F
7/03; A61F 2007/0001; A61F 13/00;
A61F 13/15; A61F 7/02

See application file for complete search history.

(56) **References Cited**

U.S. PATENT DOCUMENTS

- 4,586,506 A * 5/1986 Nangle A61F 7/02
128/DIG. 15
- D369,218 S * 4/1996 Vandebelt D24/206
- 5,716,388 A * 2/1998 Petelle A61F 7/02
126/204
- D809,666 S * 2/2018 Sewell D24/206

- D836,790 S * 12/2018 Jackson D24/206
- 10,172,738 B2 * 1/2019 Whitely A61F 7/02
- 2002/0193857 A1 * 12/2002 Lavine A61F 7/02
607/114
- 2004/0210287 A1 * 10/2004 Greene A61F 7/02
607/112
- 2018/0049913 A1 * 2/2018 Spears A61F 7/02

* cited by examiner

Primary Examiner — Wan Laymon

(74) *Attorney, Agent, or Firm* — Lee & Hayes, P.C.

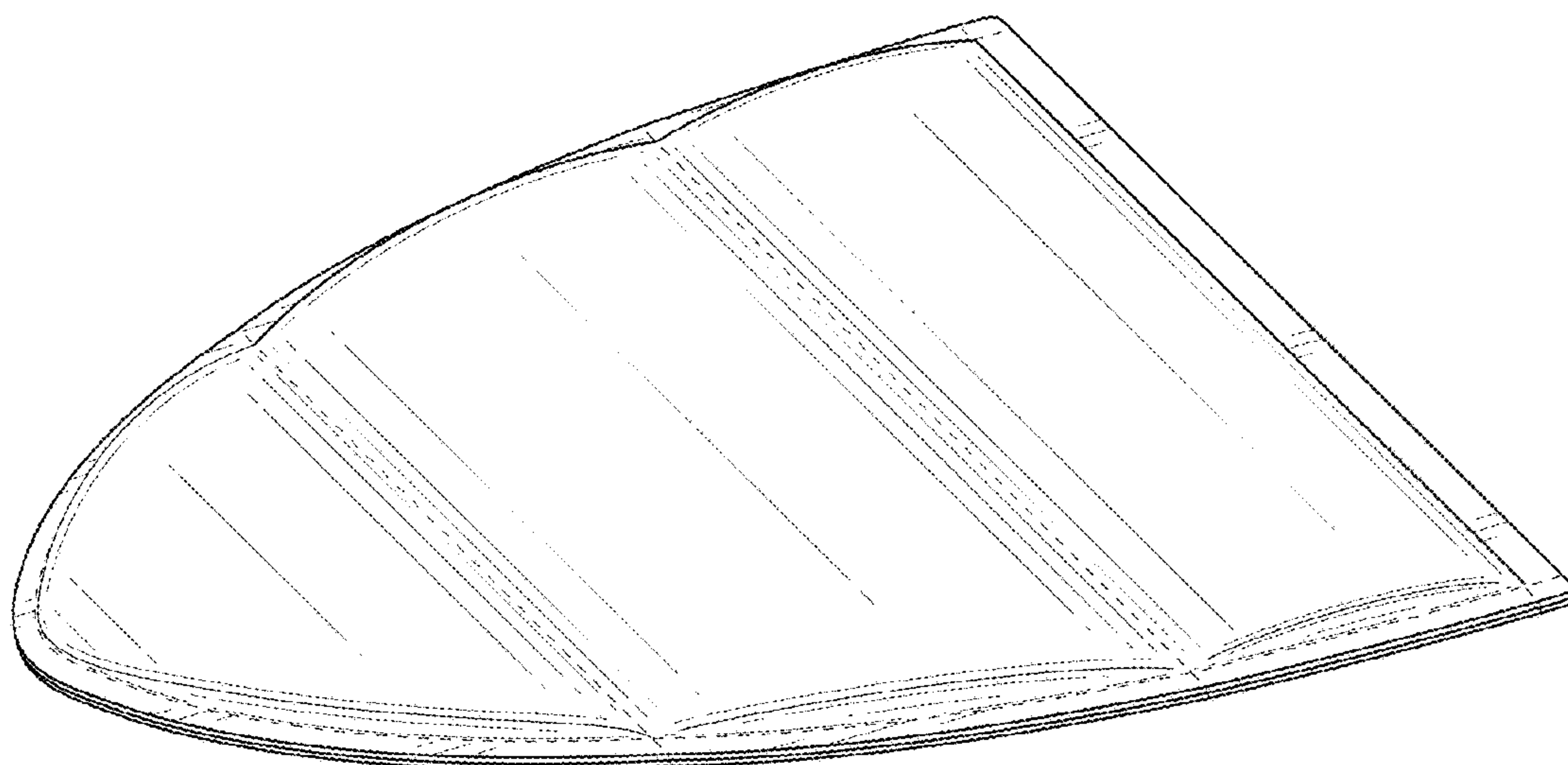
(57) **CLAIM**

The ornamental design for a heatable insert, as shown and described.

DESCRIPTION

FIG. 1 is a top perspective view of a heatable insert.
 FIG. 2 is front elevation view of the heatable insert.
 FIG. 3 is a back elevation view of the heatable insert.
 FIG. 4 is a left side elevation view of the heatable insert.
 FIG. 5 is a right side elevation view of the heatable insert.
 FIG. 6 is a top plan view of the heatable insert; and,
 FIG. 7 is a bottom plan view of the heatable insert.
 The dashed lines are representative of stitching and are not included in the claimed design.

1 Claim, 7 Drawing Sheets



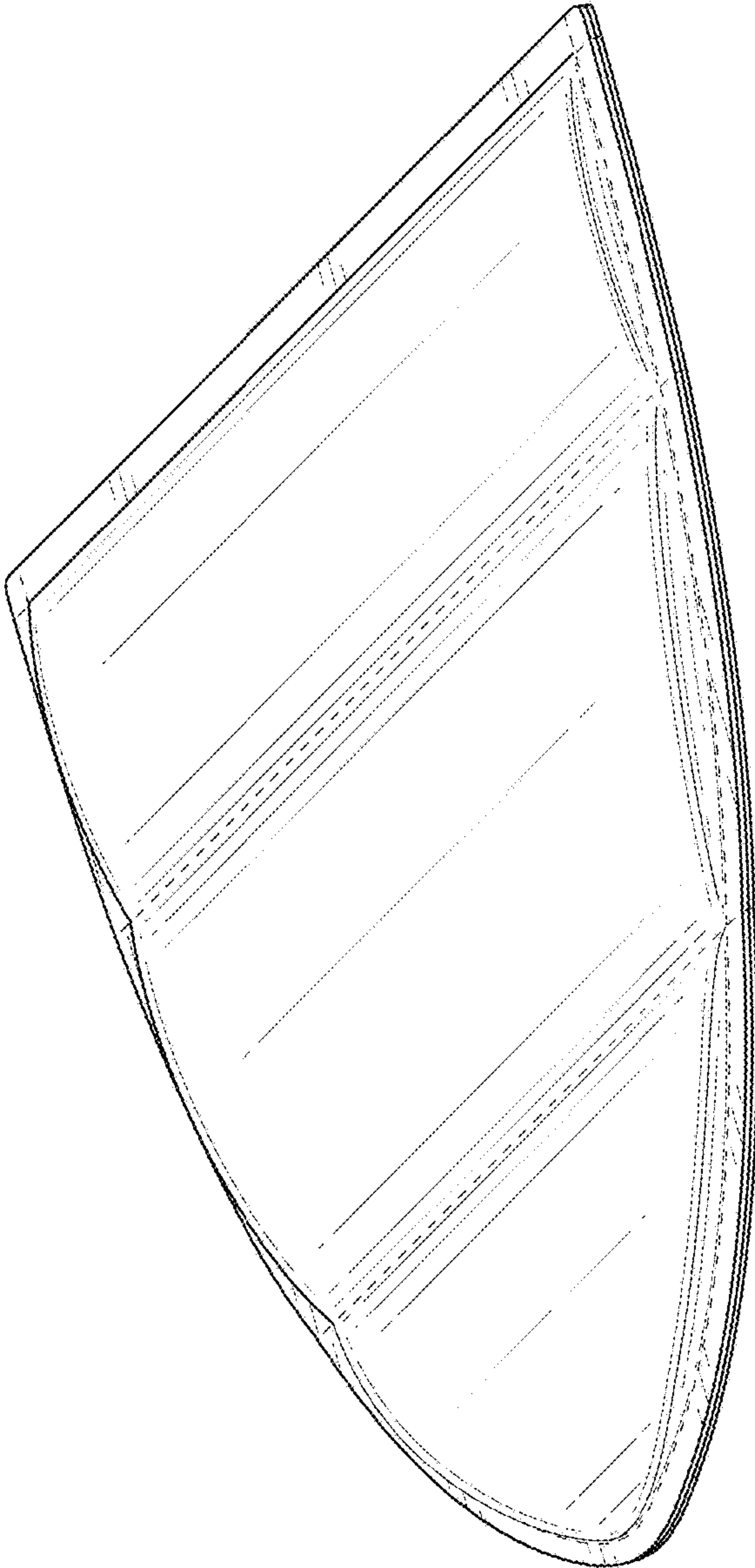


FIG. 1

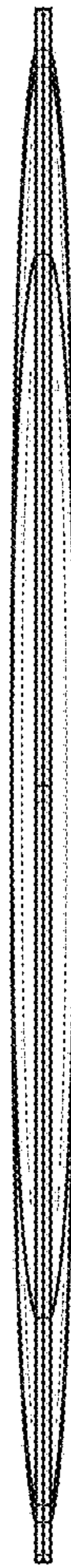


FIG. 2



FIG. 3

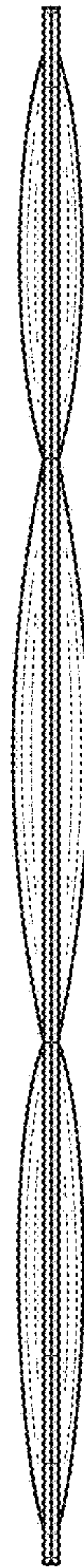


FIG. 4

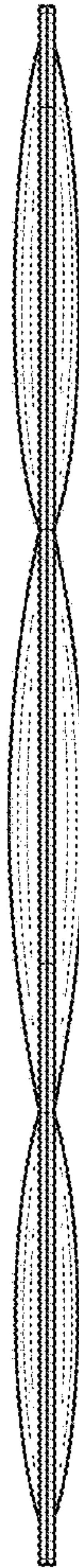


FIG. 5

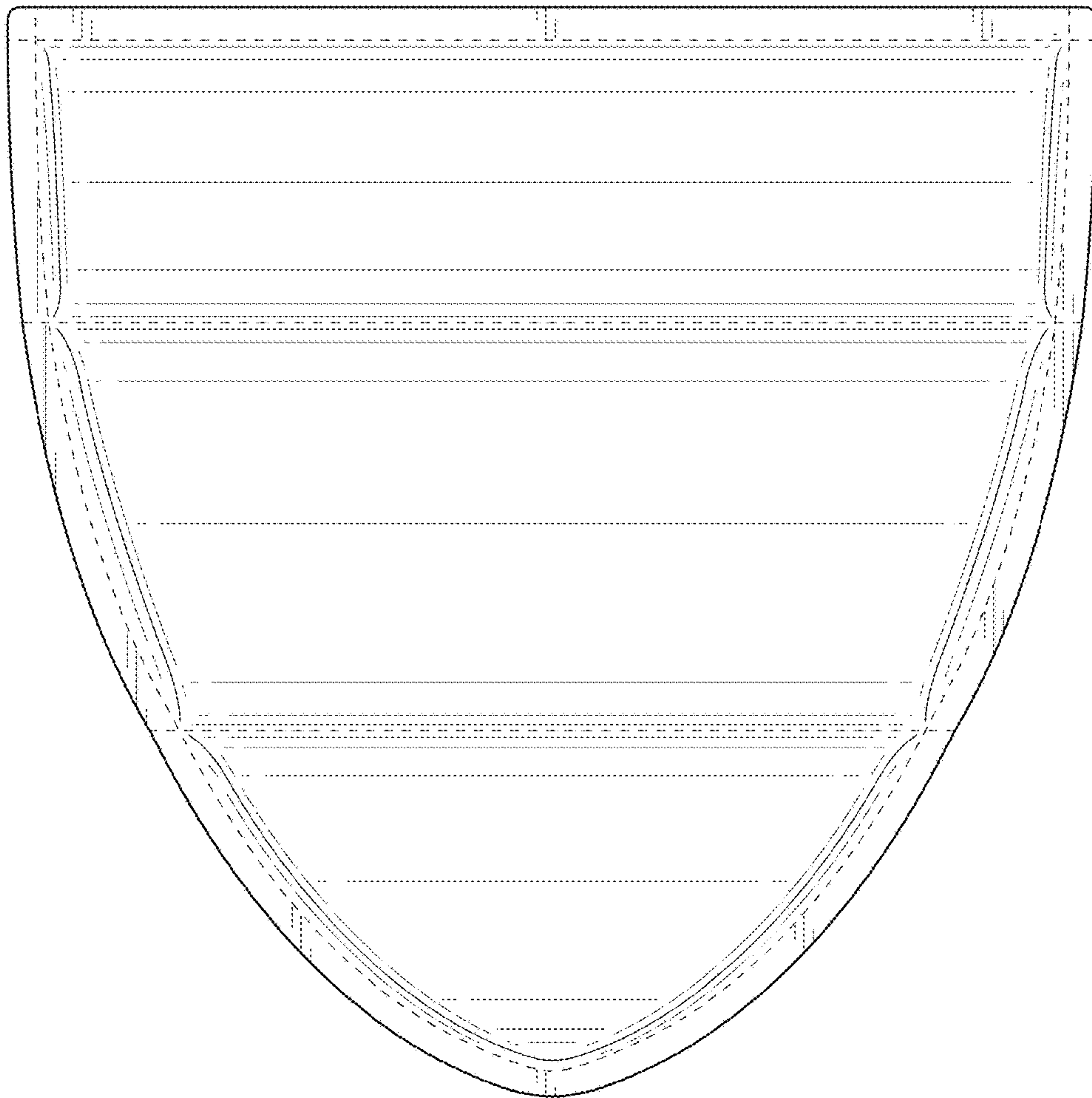


FIG. 6

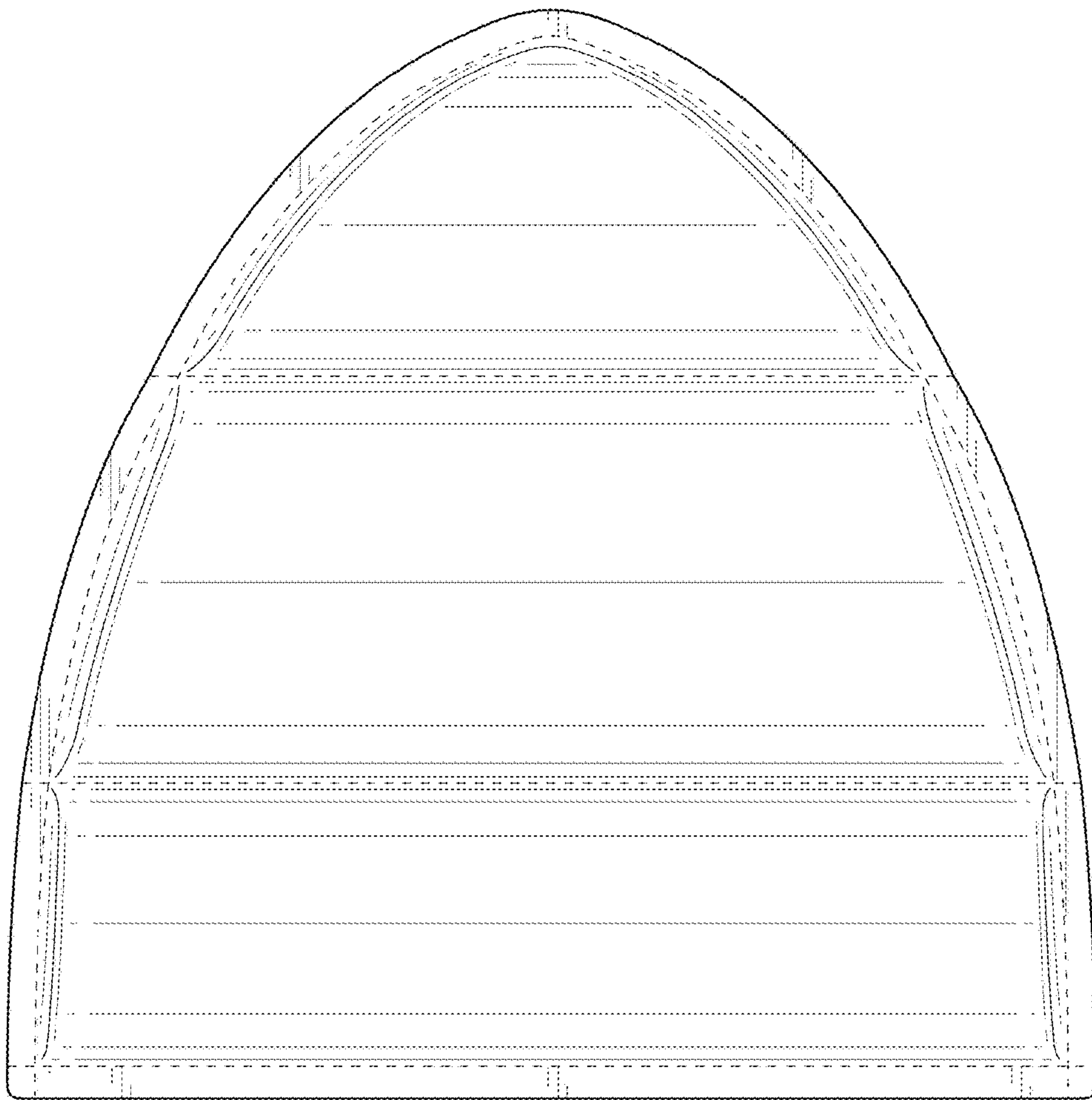


FIG. 7