



US00D862719S

(12) **United States Design Patent** (10) **Patent No.:** **US D862,719 S**
Tran (45) **Date of Patent:** **** Oct. 8, 2019**

- (54) **SPA BASE**
- (71) Applicant: **GULFSTREAM INC.**, Cambridge (CA)
- (72) Inventor: **Minh Sang Tran**, Cambridge (CA)
- (73) Assignee: **Gulfstream Inc.**, Cambridge, ON (CA)
- (**) Term: **15 Years**
- (21) Appl. No.: **29/649,052**
- (22) Filed: **May 25, 2018**
- (51) **LOC (12) Cl.** **23-02**
- (52) **U.S. Cl.**
USPC **D24/204**
- (58) **Field of Classification Search**
USPC D24/201-205, 213, 206, 200;
D23/276-278, 280.1-280.3; D6/360,
D6/336, 338, 364, 365, 708, 708.17,
D6/708.18, 716, 716.1; D28/56, 61;
4/557, 558
CPC A61H 33/6005; A61H 33/6021; A61H
33/6089; A61H 33/6094; A61H 2035/004;
A61H 35/006; A47K 3/022; A47K 3/062
See application file for complete search history.

- D782,688 S * 3/2017 Tran D24/204
- D785,808 S * 5/2017 Tran D24/204
- D803,412 S * 11/2017 Ton D24/204

OTHER PUBLICATIONS

Chi Spa 2, posted at youtube.com, posted May 28, 2018, online, URL: <https://www.youtube.com/watch?v=FEGmQz3AkTY> (Year: 2018).*

The Chi Spa With Shiatsu Massage by Gulfstream, posted at purespadirect.com, no posting date available, online, URL: <https://www.purespadirect.com/The-Chi-Spa-with-Shiatsu-Massage-by-Gulfstream-p/nd-412124.htm> (Year: 2019).*

* cited by examiner

Primary Examiner — Anhdao Doan
Assistant Examiner — Mary Shannon Malley
 (74) *Attorney, Agent, or Firm* — Avery N. Goldstein;
 Blue Filament Law PLLC

(57) **CLAIM**

The ornamental design for a spa base, as shown and described.

DESCRIPTION

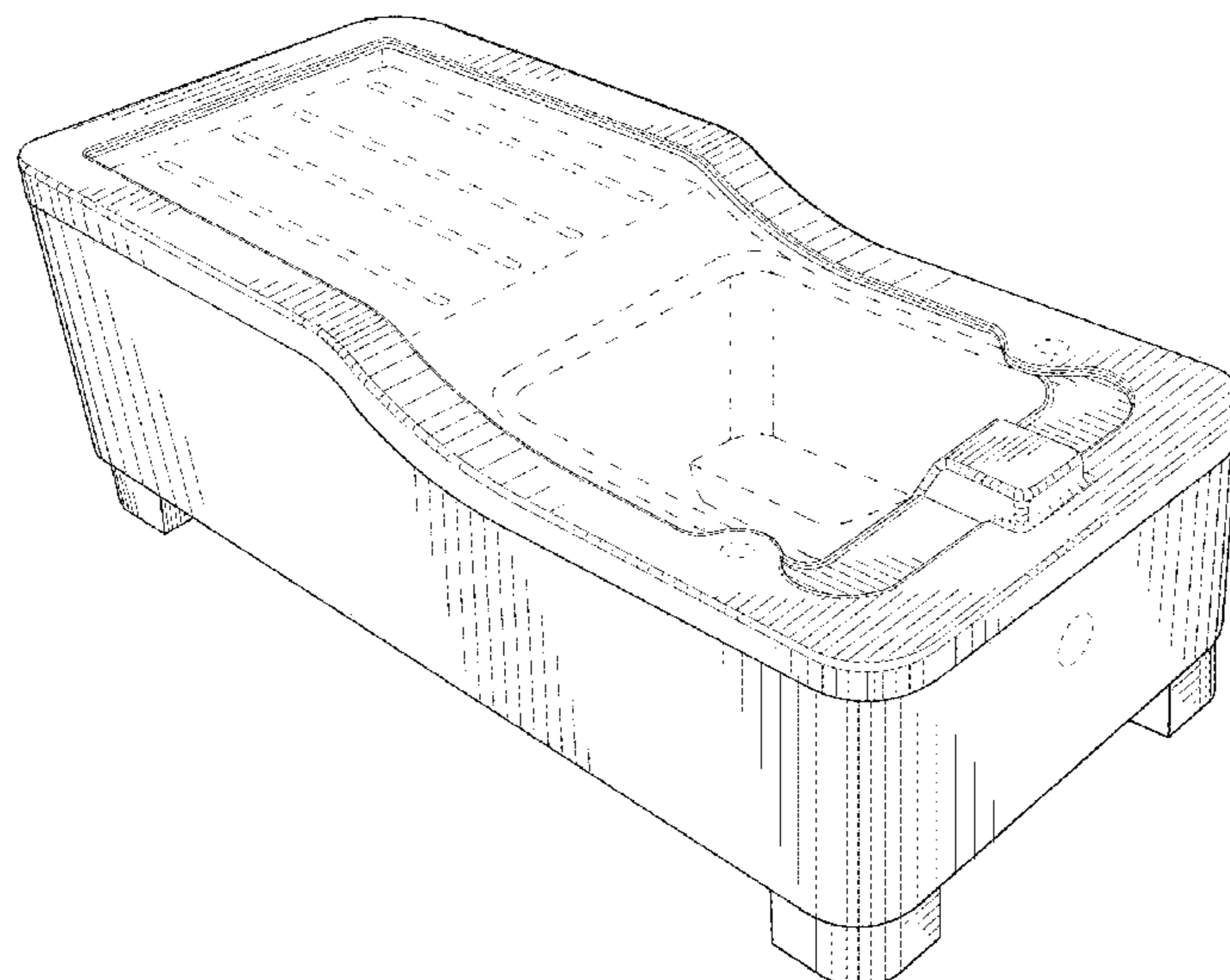
FIG. 1 is a top, right, front perspective view of the spa base; FIG. 2 is a top view of the spa base; FIG. 3 is a bottom view of the spa base; FIG. 4 is a right side view of the spa base; FIG. 5 is a left side view of the spa base; FIG. 6 is a rear view of the spa base; FIG. 7 is a front view of the spa base; and, FIG. 8 is a top, right, front perspective view of the spa base in its environment. The broken lines showing a spa chair and foot rest are directed towards environmental subject matter, all other broken lines show portions of the spa base than form no part of the claimed design.

1 Claim, 5 Drawing Sheets

(56) **References Cited**

U.S. PATENT DOCUMENTS

- D304,235 S * 10/1989 Chambers D24/204
- D546,957 S * 7/2007 Ton D24/201
- D563,558 S * 3/2008 Ton D24/201
- D600,356 S * 9/2009 Ton D24/204
- D602,163 S * 10/2009 Ton D24/204
- D603,522 S * 11/2009 Elliott D24/204
- D608,898 S * 1/2010 Ton D24/204
- D700,708 S * 3/2014 Ho D24/204
- D702,844 S * 4/2014 Mai D24/204
- D763,456 S * 8/2016 Tran D24/204



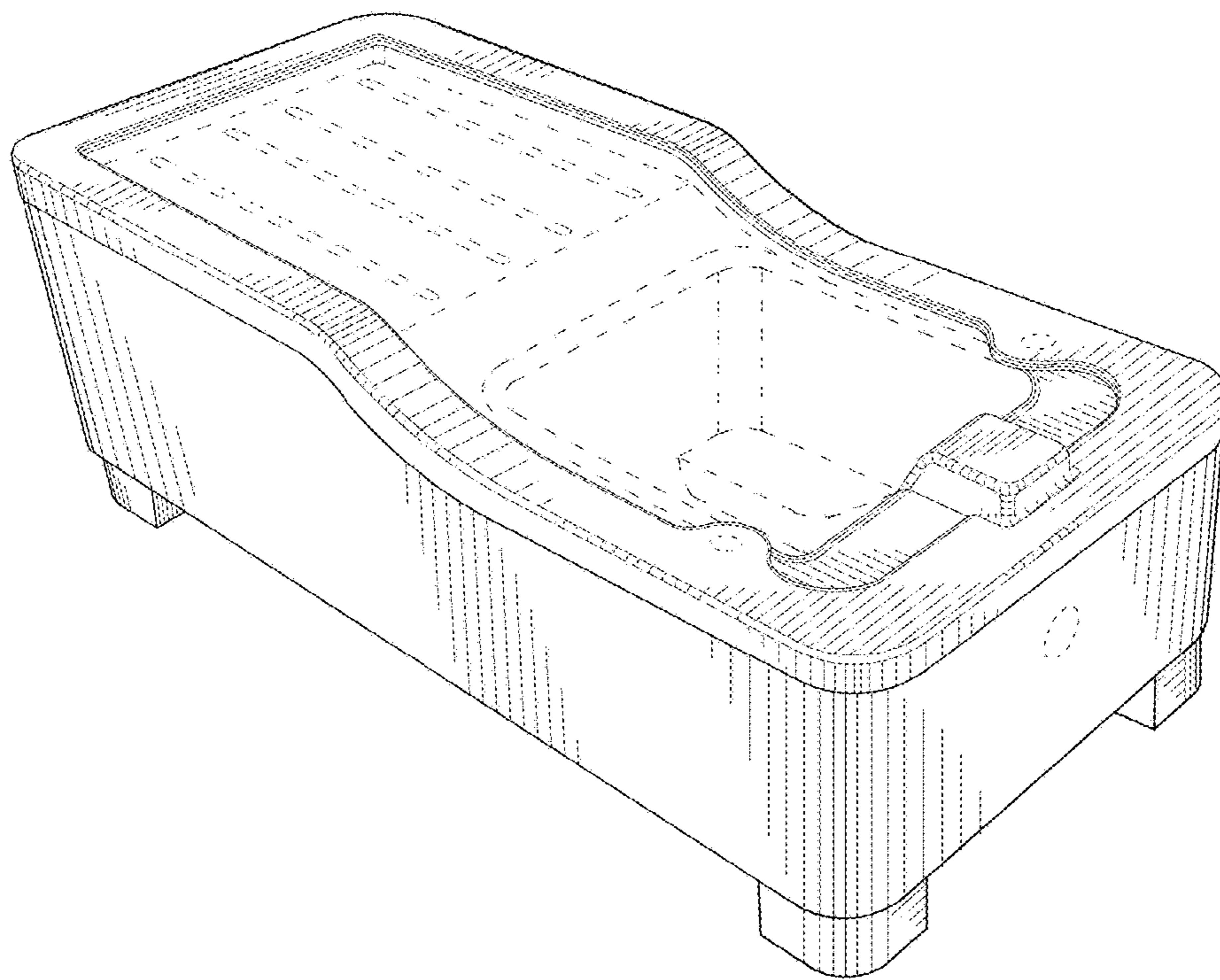


FIG.1

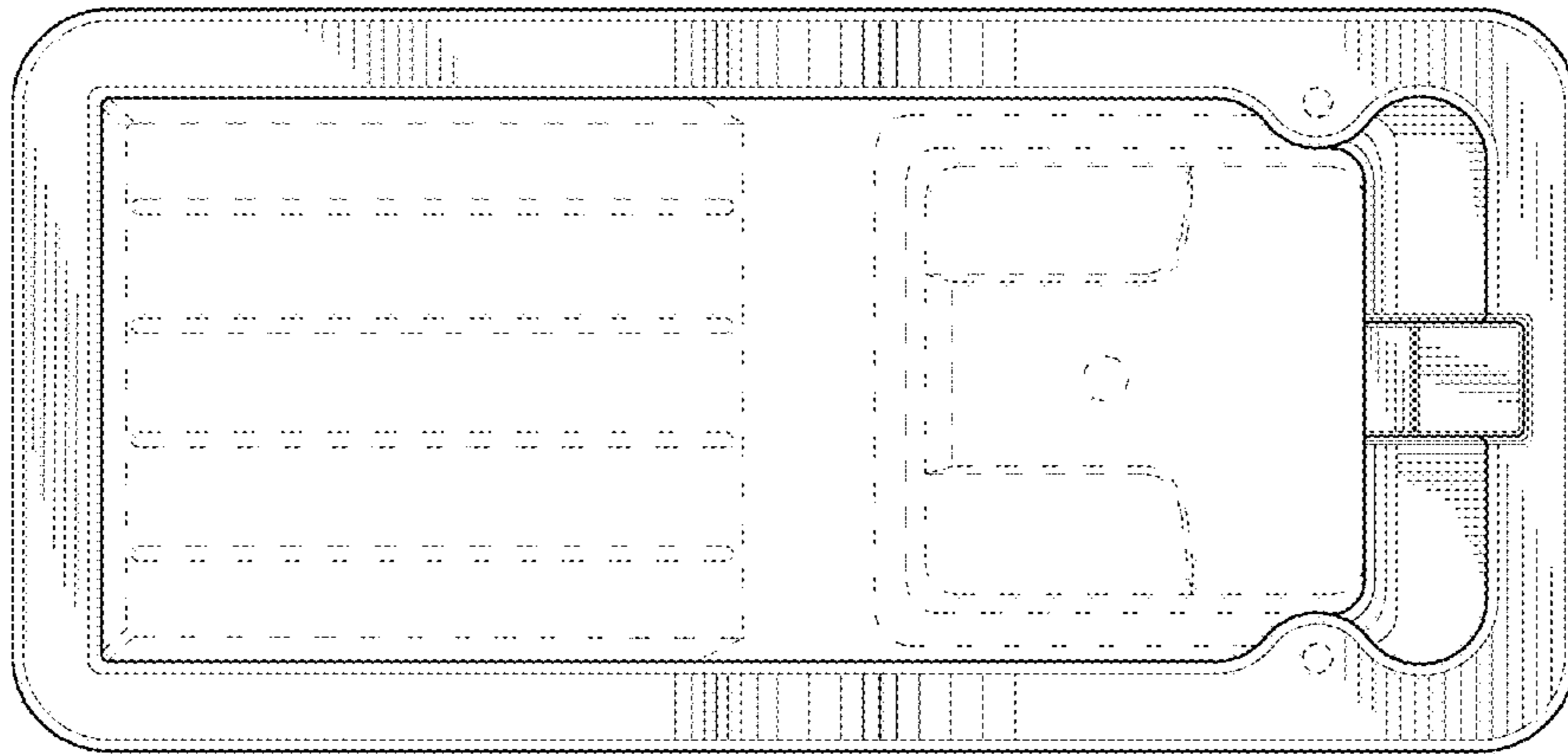


FIG. 2

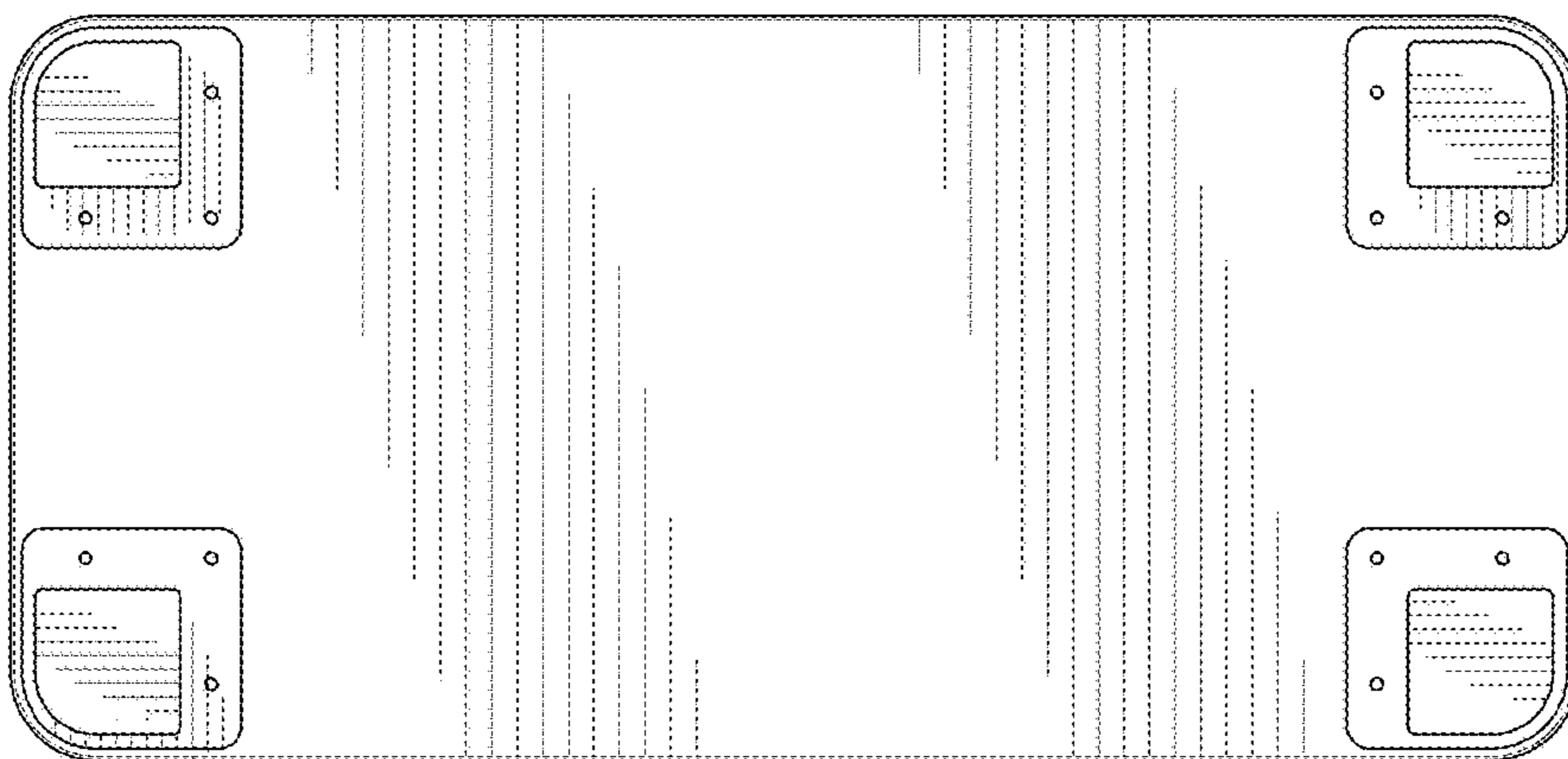


FIG. 3

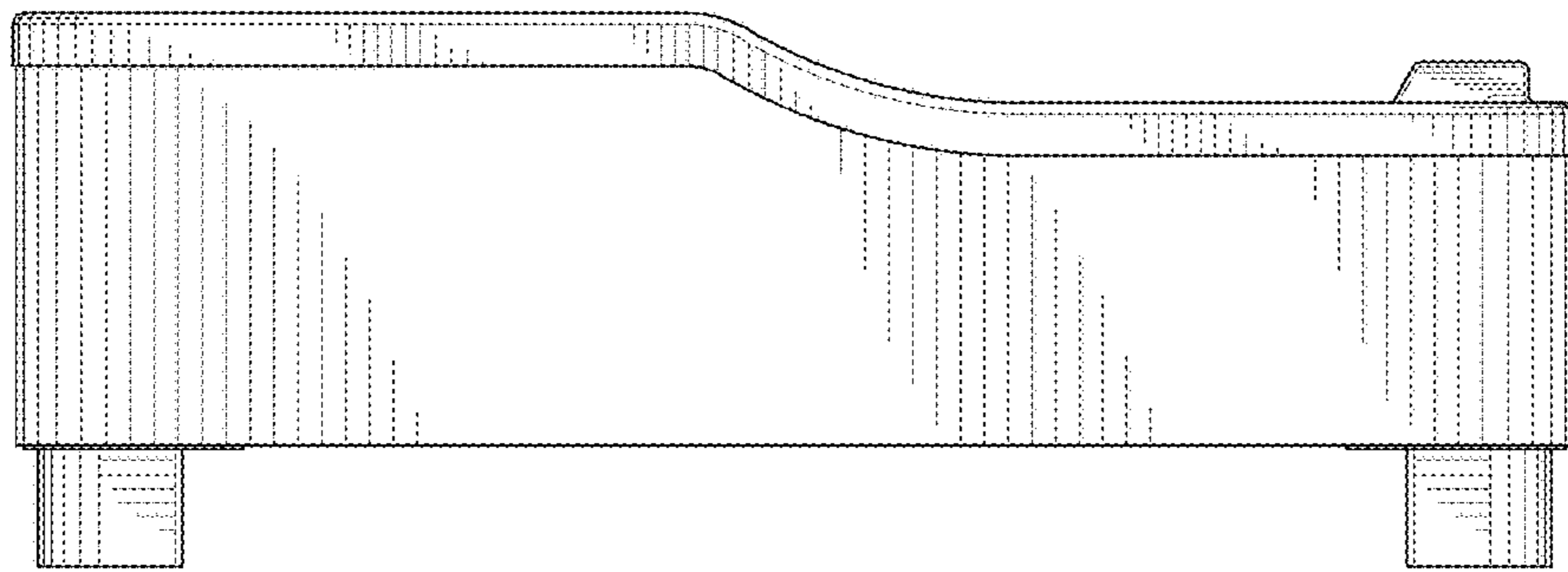


FIG. 4

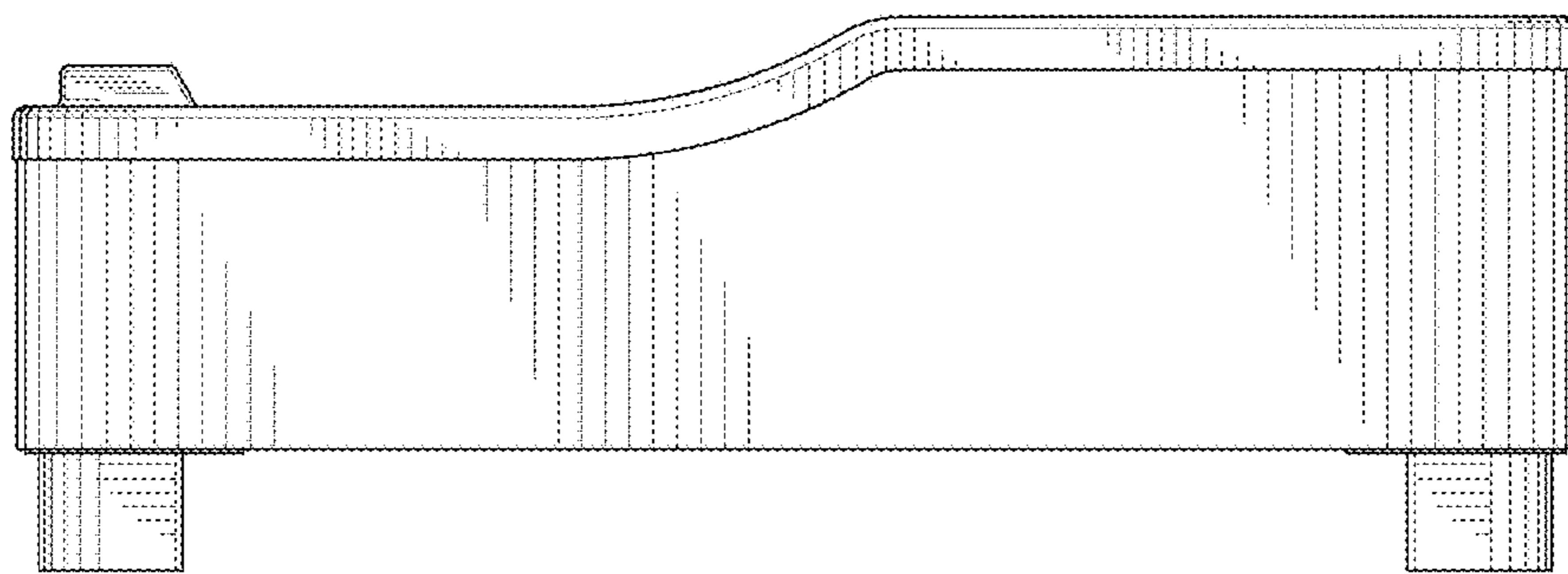


FIG. 5

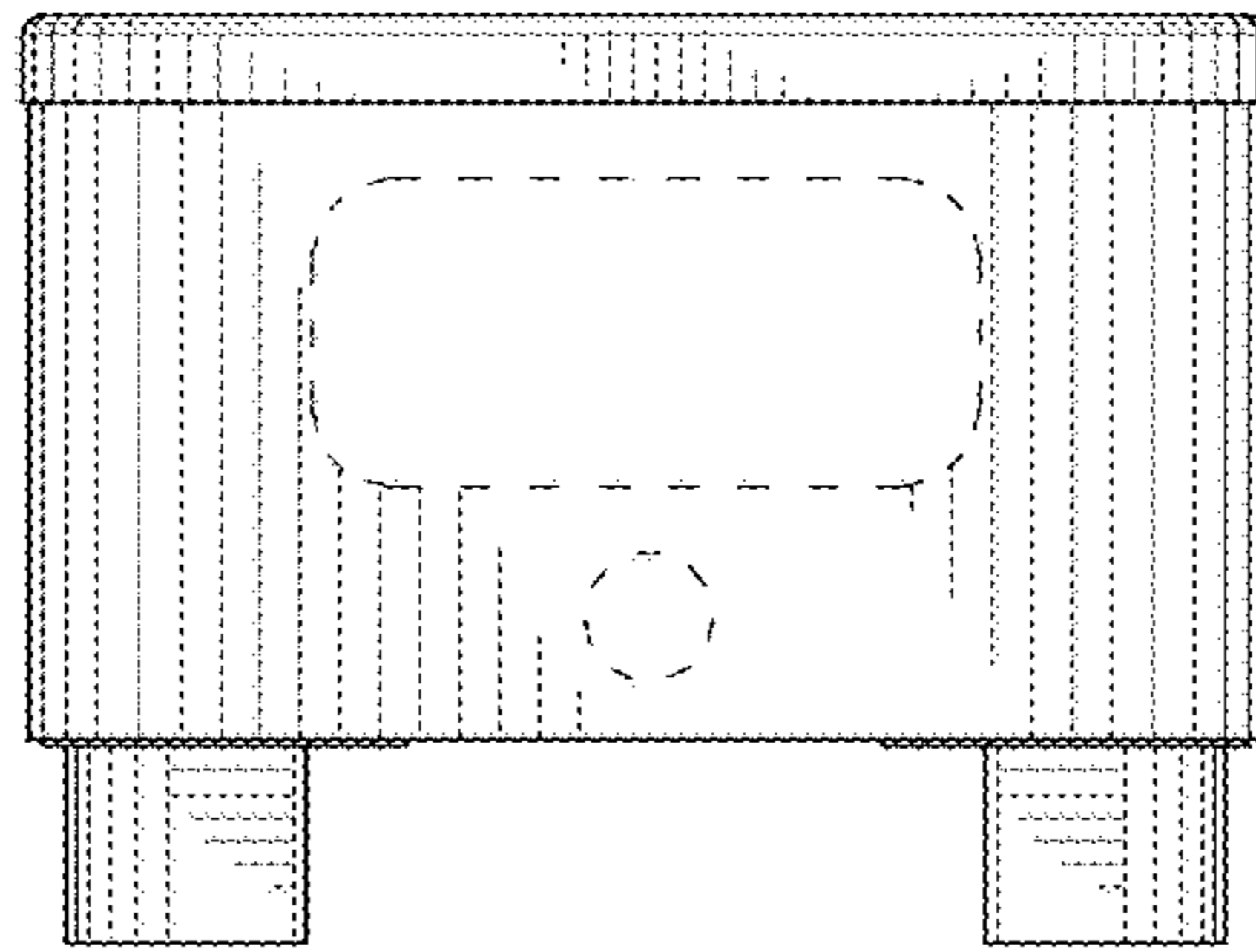


FIG. 6

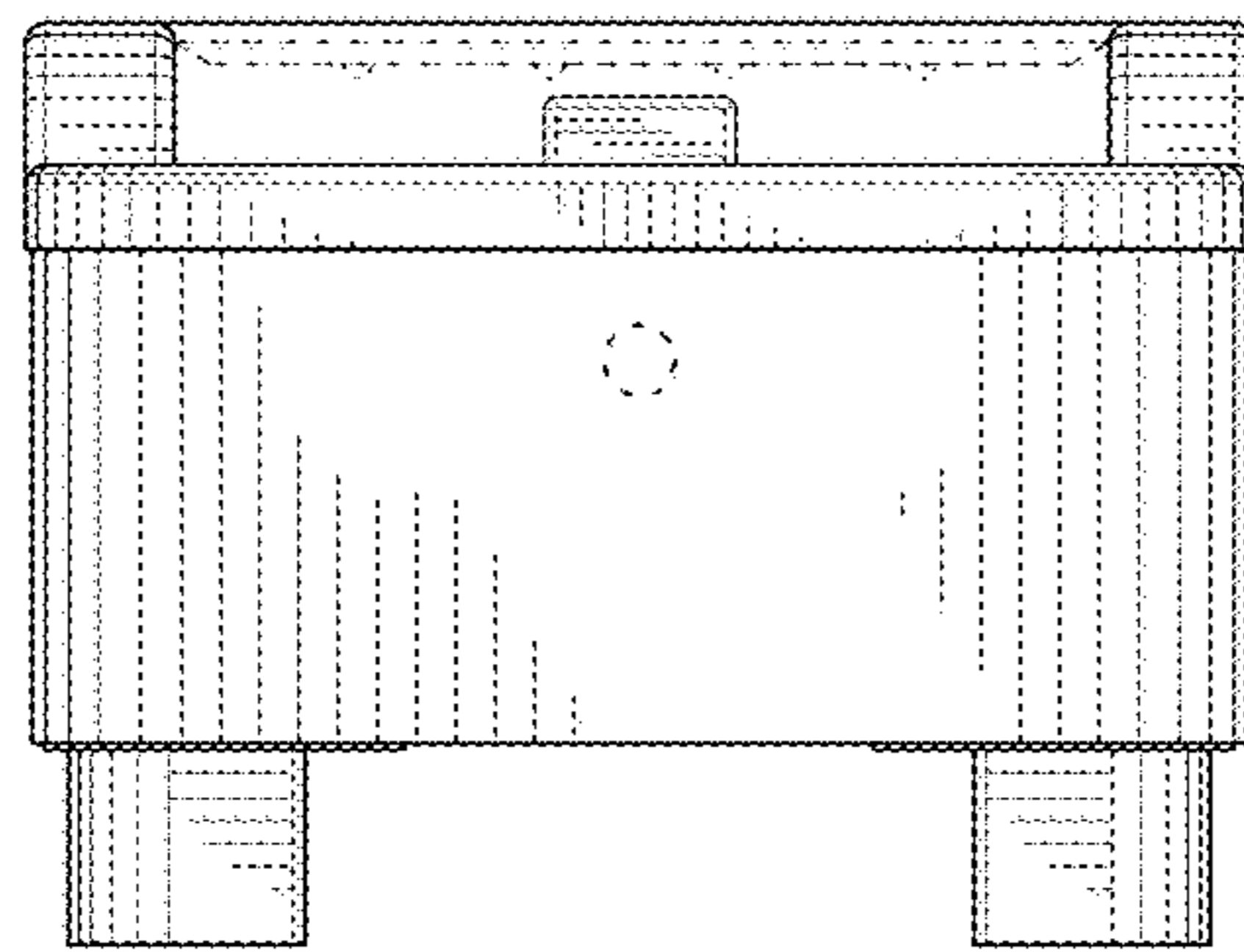


FIG. 7

