



US00D862714S

(12) **United States Design Patent** (10) **Patent No.:** **US D862,714 S**
Eaton et al. (45) **Date of Patent:** **** Oct. 8, 2019**

(54) **PACIFIER**
(71) Applicant: **KONINKLIJKE PHILIPS N.V.**,
Eindhoven (NL)
(72) Inventors: **Jason Eaton**, Eindhoven (NL); **Ron Roth**, Eindhoven (NL)
(73) Assignee: **KONINKLIJKE PHILIPS N.V.**,
Eindhoven (NL)
(**) Term: **15 Years**
(21) Appl. No.: **29/660,377**
(22) Filed: **Aug. 21, 2018**

D380,836 S * 7/1997 Fitzpatrick D24/194
D419,240 S * 1/2000 Leick D24/194
D443,065 S * 5/2001 Byes D21/604
D448,486 S * 9/2001 Horntrich D24/194
D462,124 S * 8/2002 Freeman D24/195
D477,411 S * 7/2003 Kroepel D24/194
7,311,721 B2 * 12/2007 Rosuck A61J 17/008
215/11.1
D575,405 S * 8/2008 Spalding D24/194
D594,559 S * 6/2009 Kliegman D24/194
D599,026 S * 8/2009 Cudworth D24/194
D616,557 S * 5/2010 Roehrig D24/194
D646,791 S * 10/2011 Pope D24/194
D655,015 S * 2/2012 Castro Barreras D24/194
D662,600 S * 6/2012 Rhodes, II D24/194
D674,496 S * 1/2013 Roehrig D24/194
D679,022 S * 3/2013 Feinberg D24/194
D691,277 S * 10/2013 McCarty D24/194
D700,344 S * 2/2014 Jackson-Berry D24/194
8,827,093 B1 * 9/2014 Mendez A61J 11/0035
215/11.1

Related U.S. Application Data

(62) Division of application No. 35/500,576, filed on Aug. 11, 2015 (U.S. filing date under 35 U.S.C. 384), and having an international filing date of Aug. 21, 2018, now Pat. No. Des. 826,413.

(Continued)

Primary Examiner — Rhea Shields

(30) **Foreign Application Priority Data**

Feb. 11, 2015 (EM) 002630772-0001

(51) **LOC (12) Cl.** **24-04**

(52) **U.S. Cl.**
USPC **D24/194**

(58) **Field of Classification Search**
USPC D24/194, 155, 190, 192, 195; D21/468,
D21/604; 606/234; 604/79; 215/11.1
CPC A61L 2/07; A61J 17/00; A61J 11/0035;
A61J 7/008
See application file for complete search history.

(56) **References Cited**

U.S. PATENT DOCUMENTS

D306,073 S * 2/1990 Klitsner D21/468
D359,123 S * 6/1995 Perrine D24/194

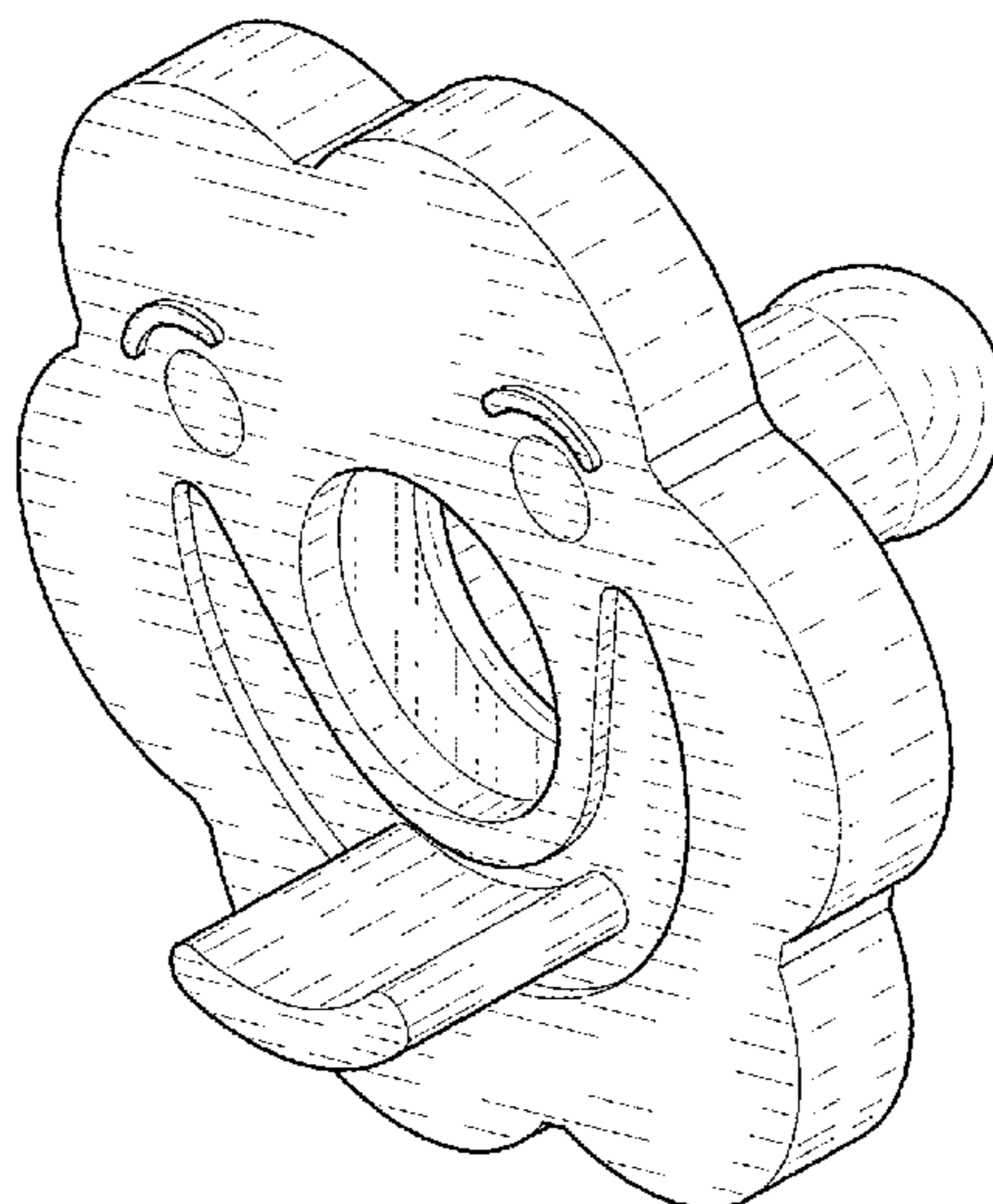
(57) **CLAIM**

The ornamental design for a pacifier, as shown and described.

DESCRIPTION

FIG. 1 is a perspective view showing the pacifier of my design;
FIG. 2 is a front elevational view thereof;
FIG. 3 is a rear elevational view thereof;
FIG. 4 is a right side elevational view thereof;
FIG. 5 is a left side elevational view thereof;
FIG. 6 is a top plan view thereof; and,
FIG. 7 is a bottom plan view thereof.
The portions of the pacifier shown in broken lines are included for the purpose of illustrating unclaimed portions of the pacifier and form no part of the claimed design.

1 Claim, 4 Drawing Sheets



(56)

References Cited

U.S. PATENT DOCUMENTS

D719,268 S	*	12/2014	Recht	D24/194
D737,455 S	*	8/2015	D'Alesio	D24/194
D739,032 S	*	9/2015	Recht	D24/194
D740,430 S	*	10/2015	Oates, II	D24/194
D748,811 S	*	2/2016	Lee	D24/194
D755,400 S	*	5/2016	Melvin	D24/194
D767,152 S	*	9/2016	Hakim	D24/194
D794,811 S	*	8/2017	Thomas	D24/194
D826,413 S	*	8/2018	Eaton	D24/194
D826,414 S	*	8/2018	Greenwald	D24/195

* cited by examiner

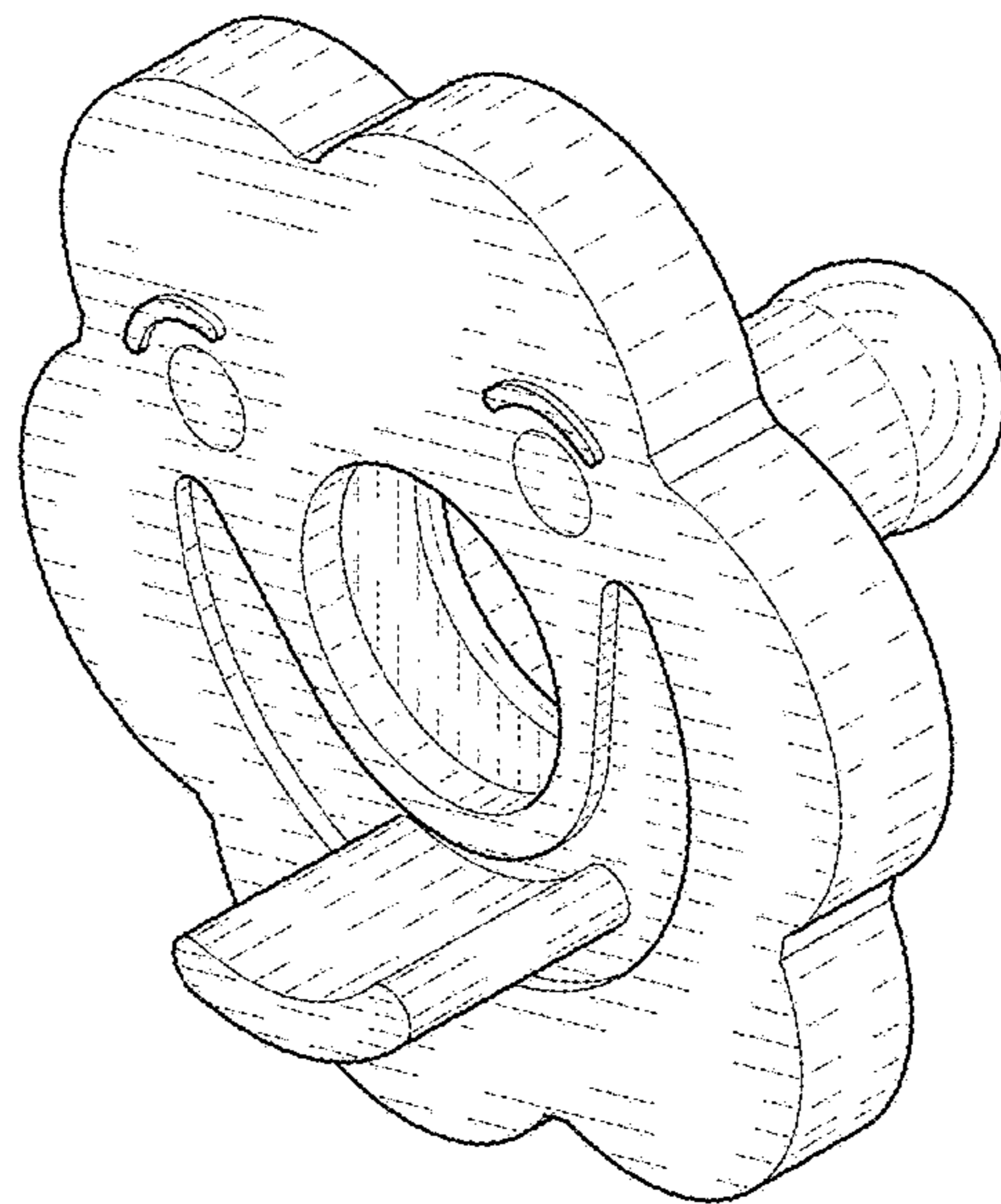


FIG. 1

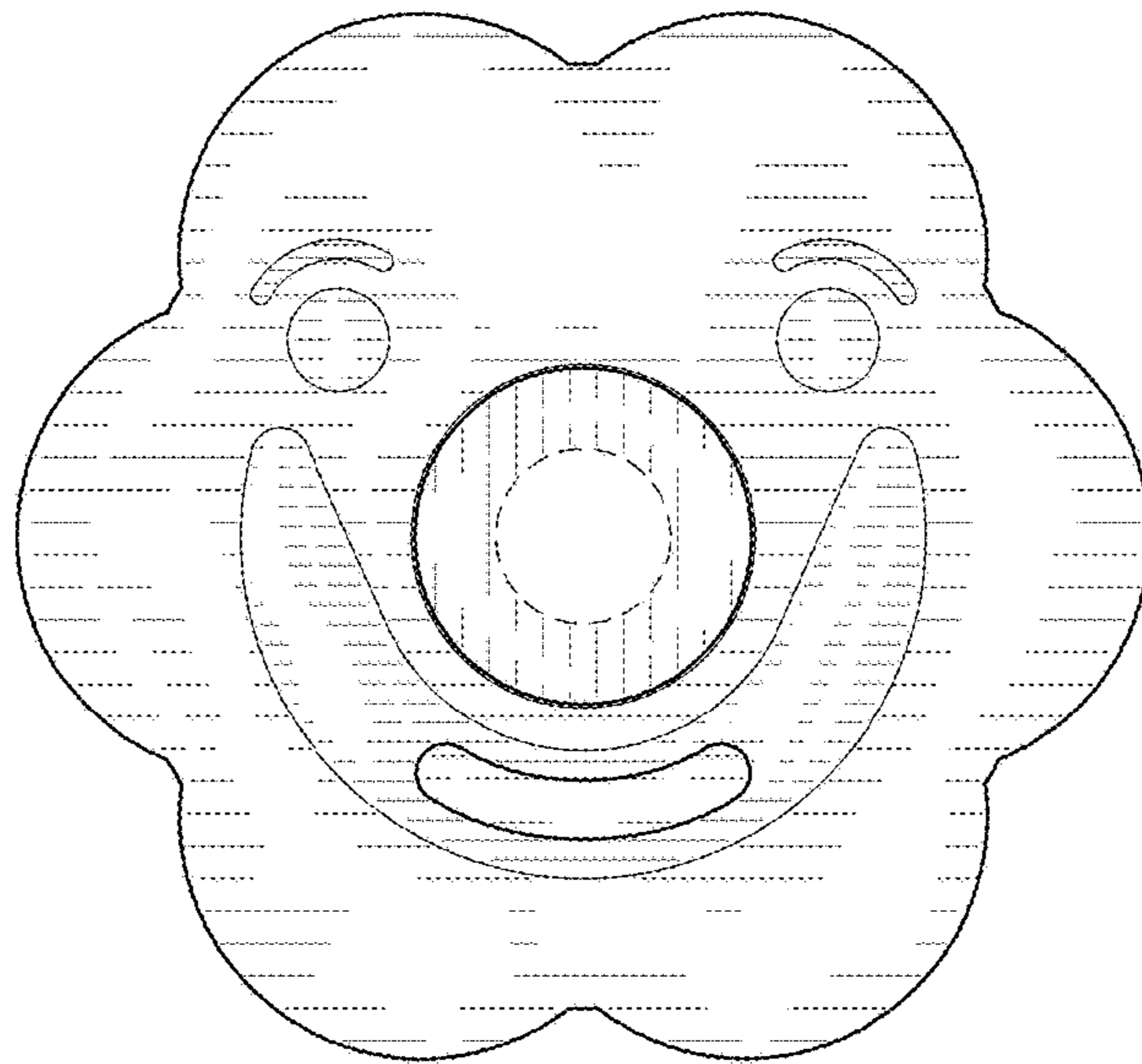


FIG. 2

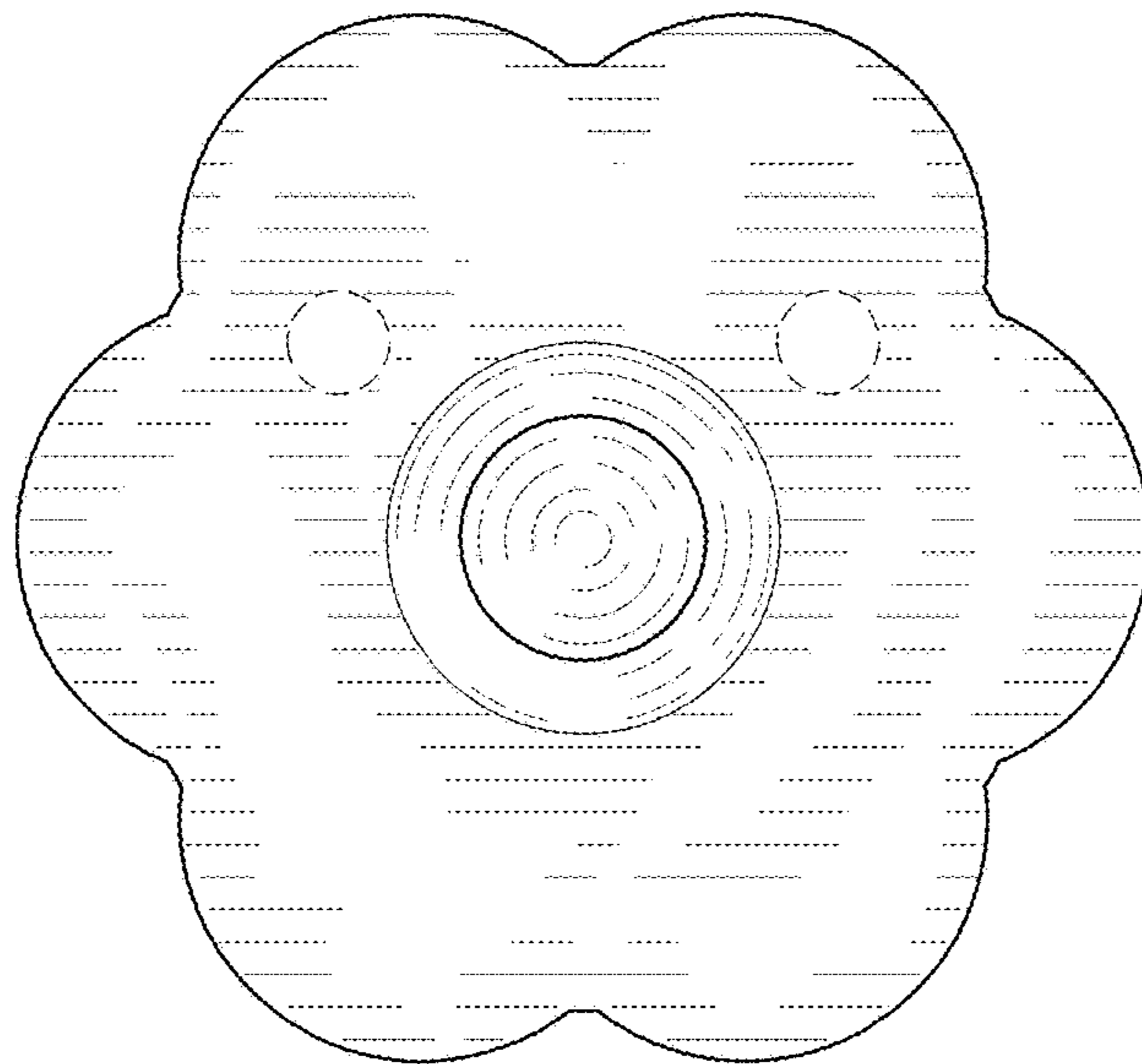


FIG. 3

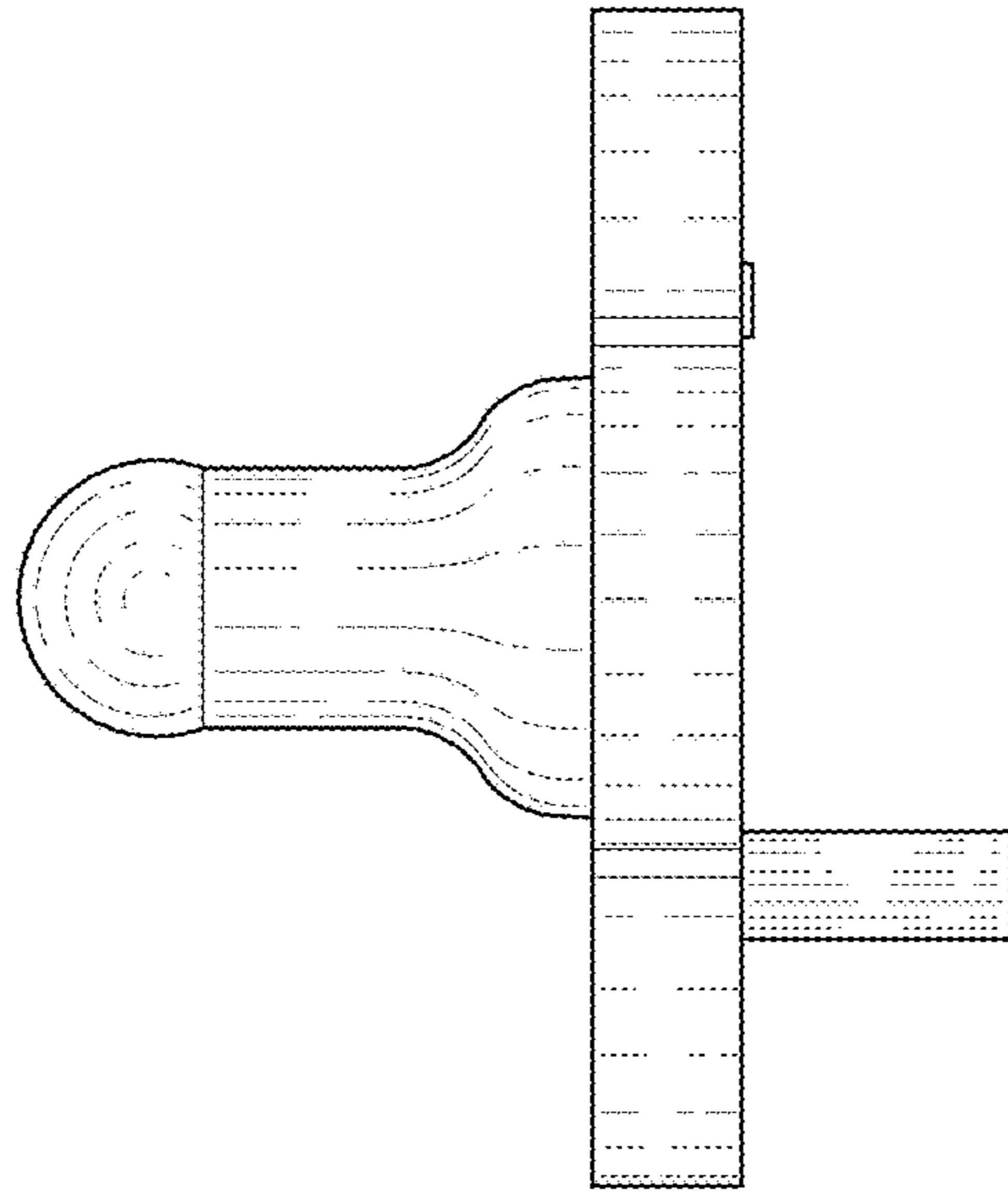


FIG. 4

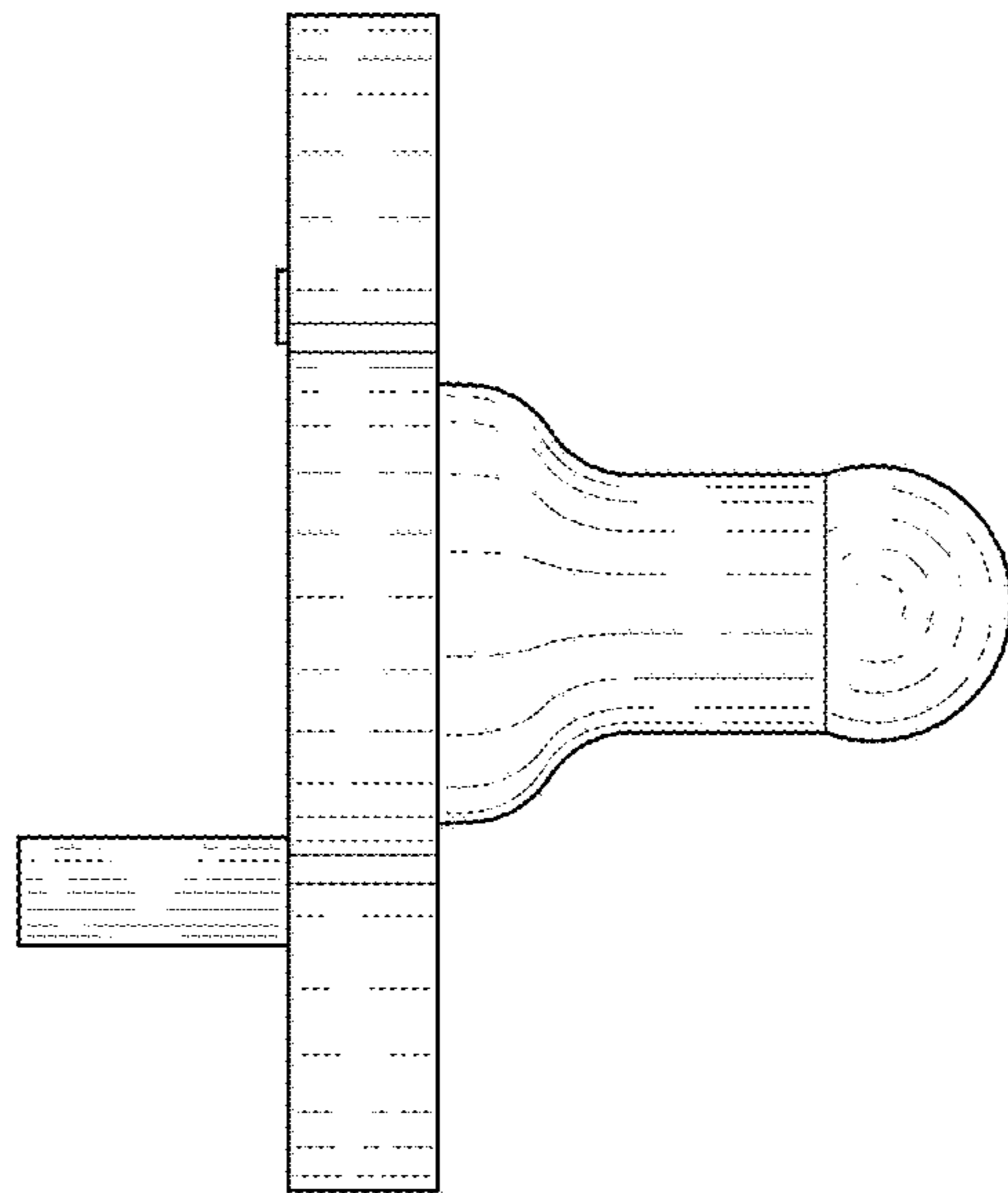


FIG. 5

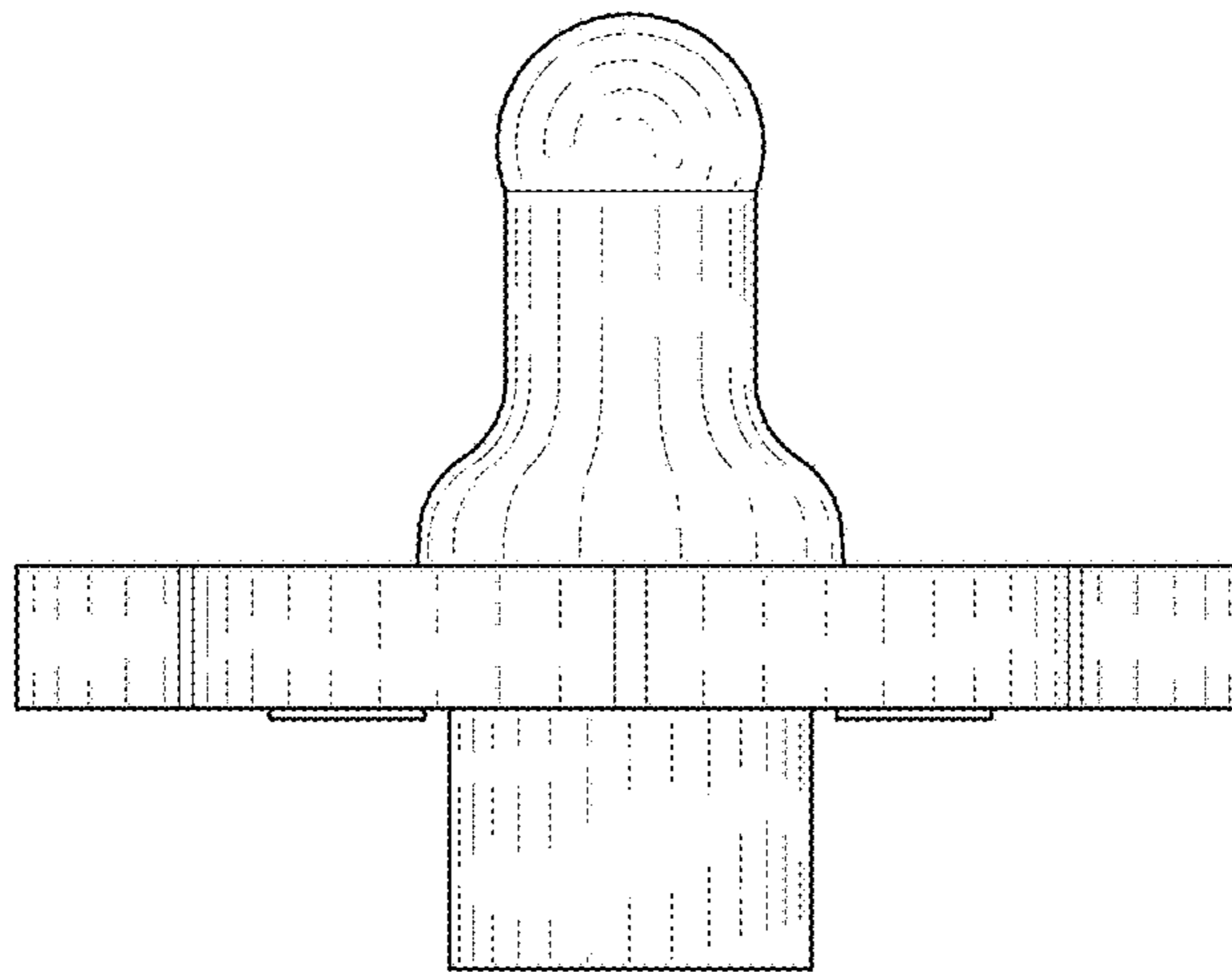


FIG. 6

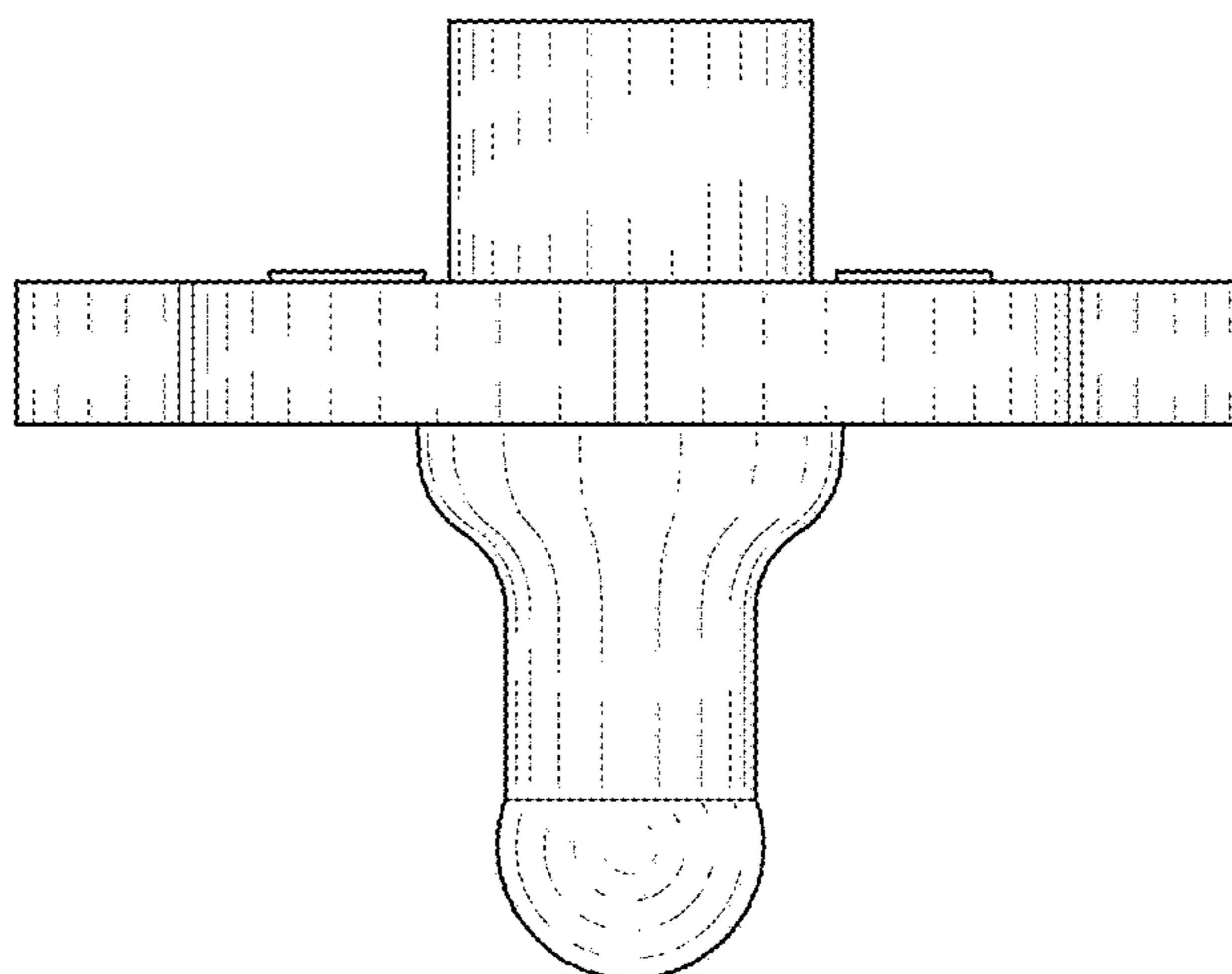


FIG. 7