



US00D862701S

(12) **United States Design Patent**
Sinha et al.

(10) **Patent No.:** **US D862,701 S**
(45) **Date of Patent:** **** *Oct. 8, 2019**

(54) **COMBINED CONTAINER AND SLEEVE FOR A FORCED AIR WARMING MACHINE**

(71) Applicant: **Care Essentials Pty Ltd**, Victoria (AU)

(72) Inventors: **Abhay Sinha**, Victoria (AU); **Ishan Sinha**, Victoria (AU)

(73) Assignee: **Care Essentials Pty Ltd**, North Geelong (AU)

(*) Notice: This patent is subject to a terminal disclaimer.

(**) Term: **15 Years**

(21) Appl. No.: **29/622,465**

(22) Filed: **Oct. 17, 2017**

(30) **Foreign Application Priority Data**

May 2, 2017 (AU) 201712594

(51) **LOC (12) Cl.** **24-02**

(52) **U.S. Cl.**
USPC **D24/164; D9/432; D9/418**

(58) **Field of Classification Search**
USPC ... D24/164, 165, 186, 185, 231, 234, 110.5,
D24/110.6; D9/432, 433, 423, 430, 439,
D9/418, 428
CPC A61F 7/007; A61F 2007/0088; A61F
2007/0089
See application file for complete search history.

(56) **References Cited**

U.S. PATENT DOCUMENTS

- 2,926,781 A * 3/1960 Dickens B65D 71/16
206/526
- D227,229 S * 6/1973 Funahashi D9/415
- D346,863 S * 5/1994 Choate D24/164
- D349,458 S * 8/1994 Verdaguer D9/415
- D543,451 S * 5/2007 Timmermans D9/418
- D567,646 S * 4/2008 Ballard D9/415

(Continued)

FOREIGN PATENT DOCUMENTS

WO WO-2010102086 A2 * 9/2010

OTHER PUBLICATIONS

Made in China. Link: <https://www.made-in-china.com/showroom/dachengmedical-2017/product-detailpqQndYtJuFfL/China-Patient-Warming-System-Forced-Air-Warming-System.html>. Visited Feb. 1, 2019. Patient Warming System Forced Air Warming System. (Year: 2019).*

Primary Examiner — Susan Bennett Hattan

Assistant Examiner — Lauren D McVey

(74) *Attorney, Agent, or Firm* — Rahman LLC

(57) **CLAIM**

The ornamental design for a combined container and sleeve for a forced air warming machine, as shown and described.

DESCRIPTION

FIG. 1 is a front perspective view of a combined container and sleeve for a forced air warming machine, showing the claimed design;

FIG. 2 is a rear perspective view thereof;

FIG. 3 is a front view thereof;

FIG. 4 is a rear view thereof;

FIG. 5 is a left-side view thereof;

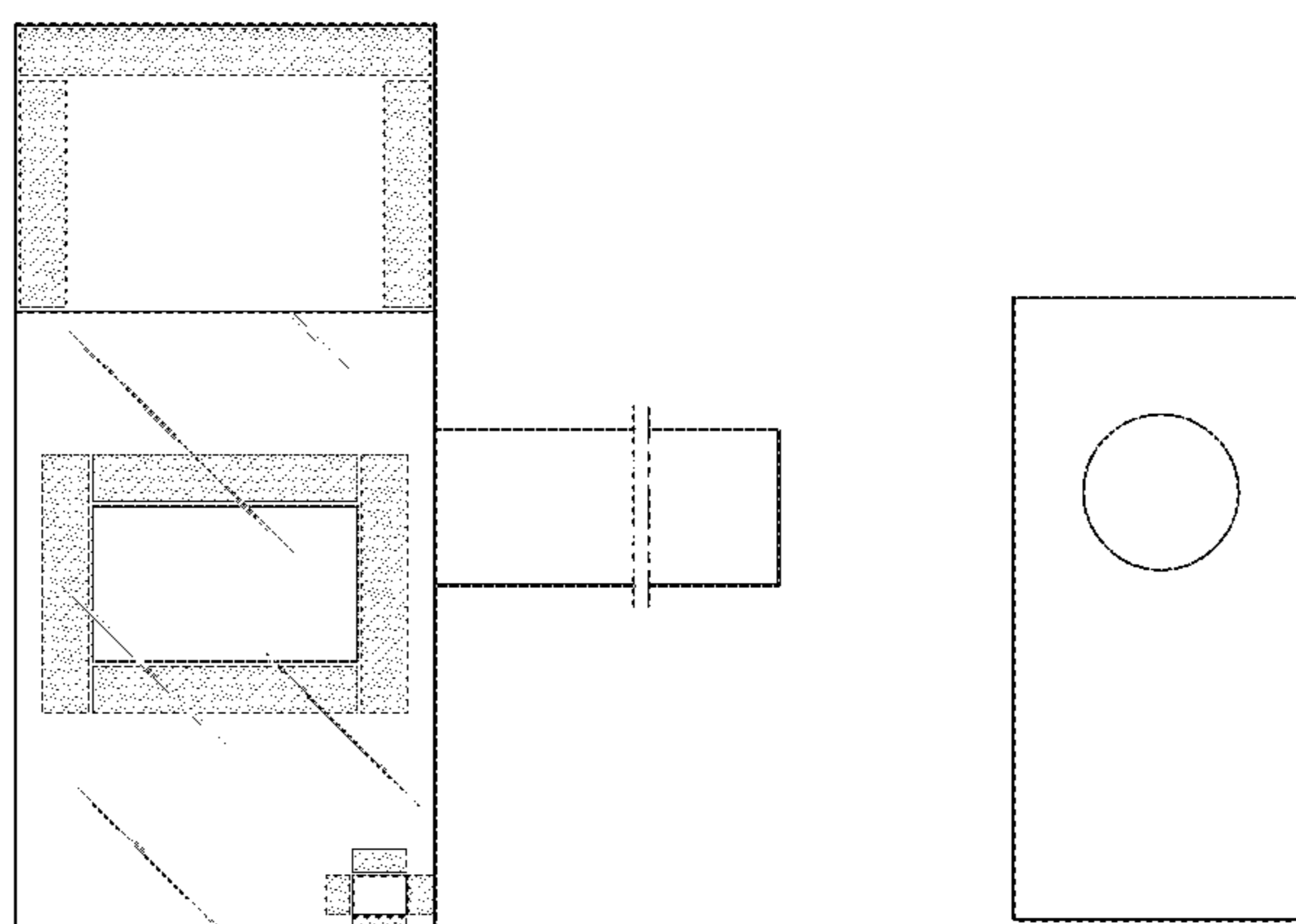
FIG. 6 is a right-side view thereof;

FIG. 7 is a top view thereof; and,

FIG. 8 is a bottom view thereof.

The difference in stippled shading is meant to indicate a contrast in appearance. The sleeve portion of the combined container and sleeve for a forced air warming machine is shown with a symbolic break in its length. The appearance of any portion of the article between the dot-dot-dash break lines forms no part of the claimed design. The broken lines shown in the views are included for the purpose of illustrating portions of the article that form no part of the claimed design.

1 Claim, 8 Drawing Sheets



(56)

References Cited

U.S. PATENT DOCUMENTS

D635,052 S *	3/2011	Rooney	D11/146
D710,687 S *	8/2014	Katopo	D9/432
D738,717 S *	9/2015	Lujardo	D9/418
D746,677 S *	1/2016	Candelaria	D9/430
D764,272 S *	8/2016	Hoglund	D9/420
D795,687 S *	8/2017	Pollock	D9/418
RE47,139 E *	11/2018	Katopo	D9/432

* cited by examiner

FIG. 1

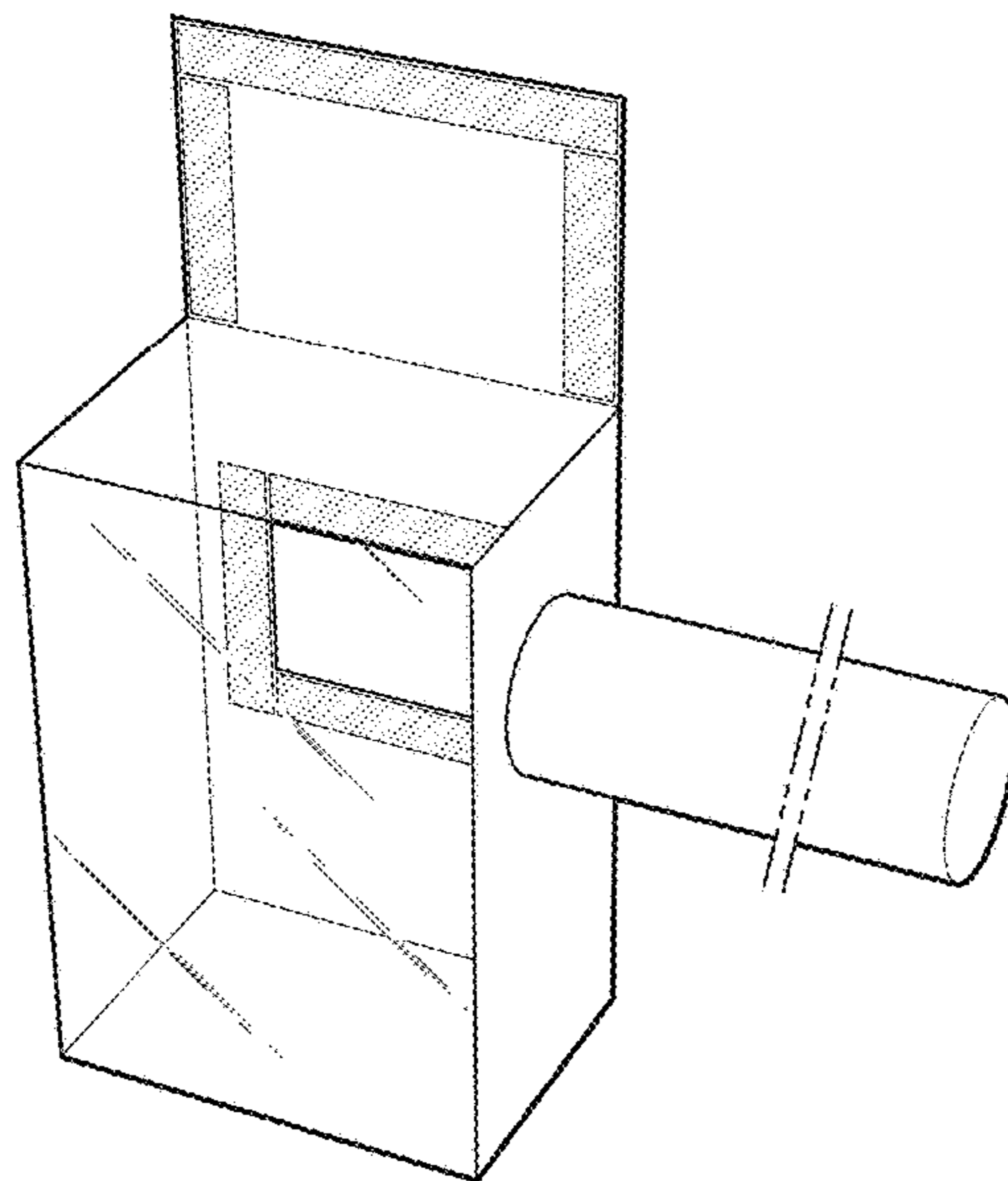


FIG. 2

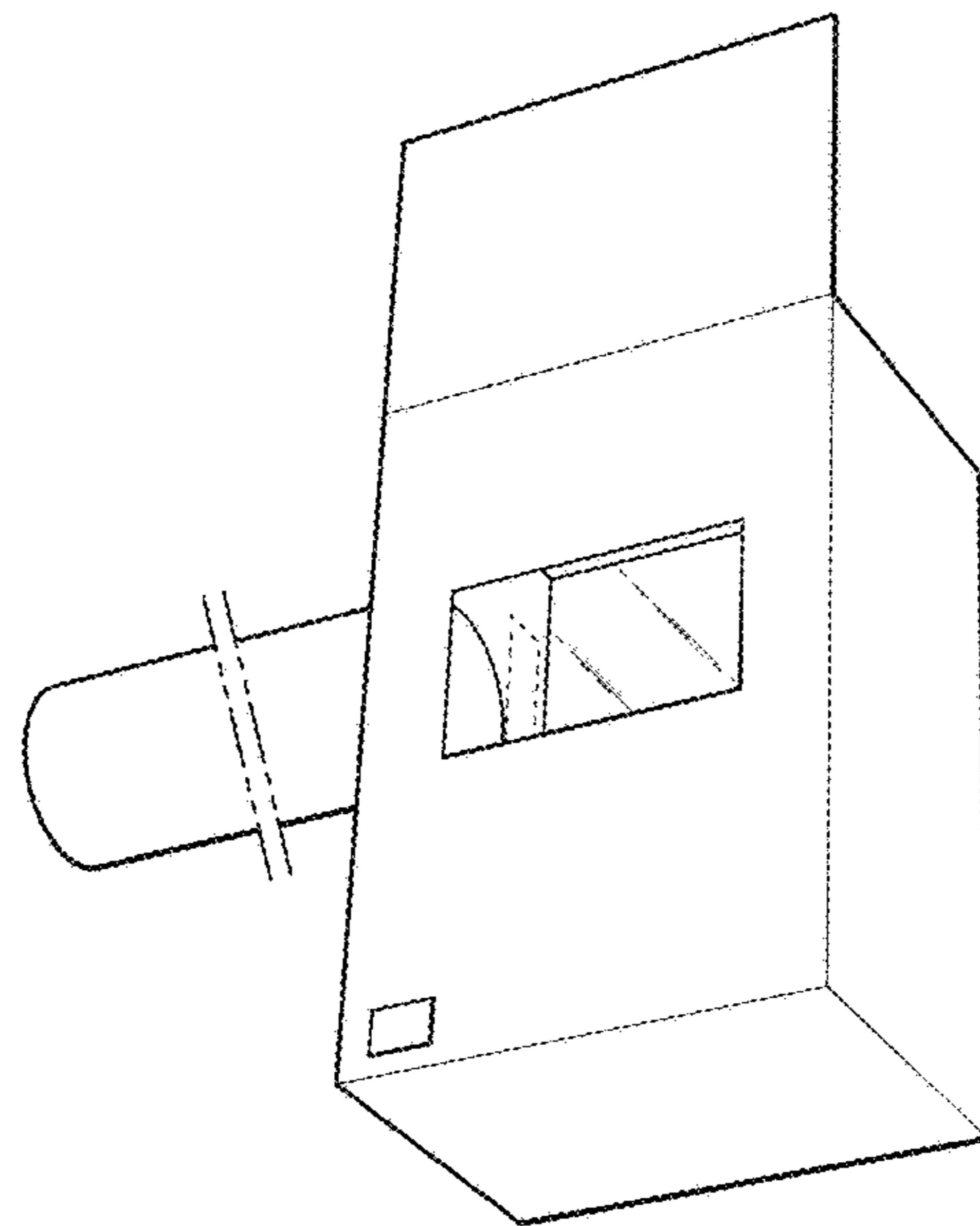


FIG. 3

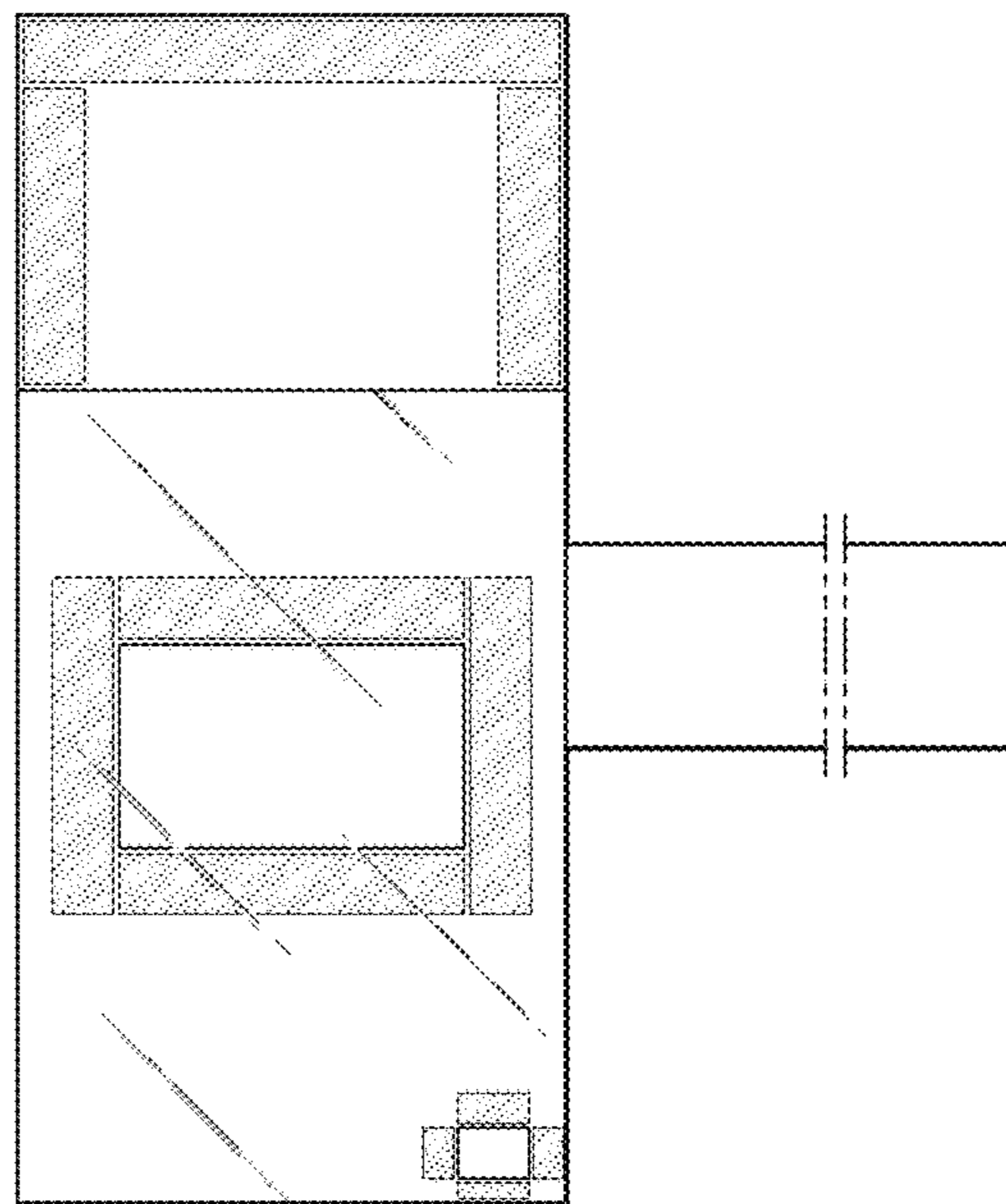


FIG. 4

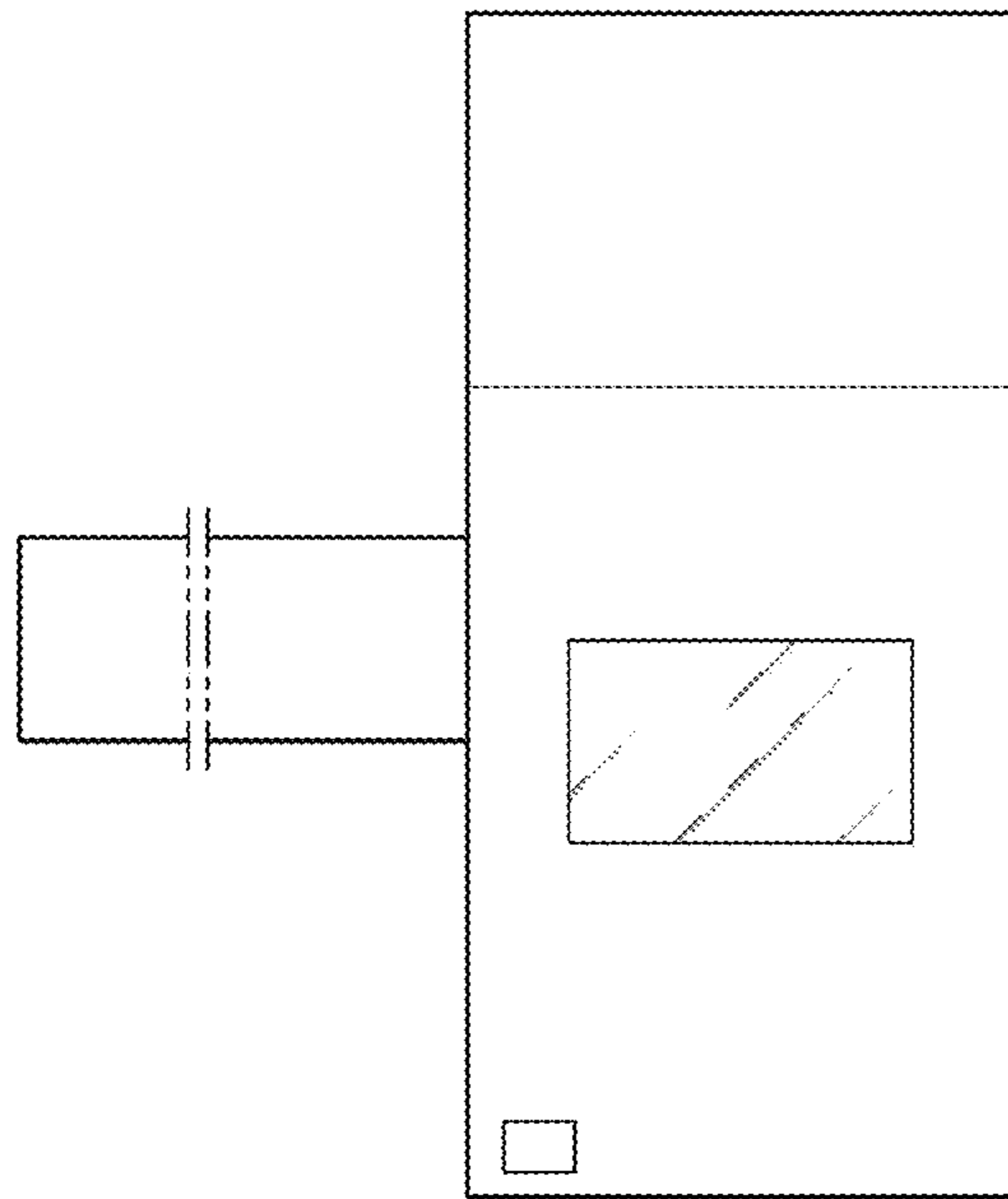


FIG. 5

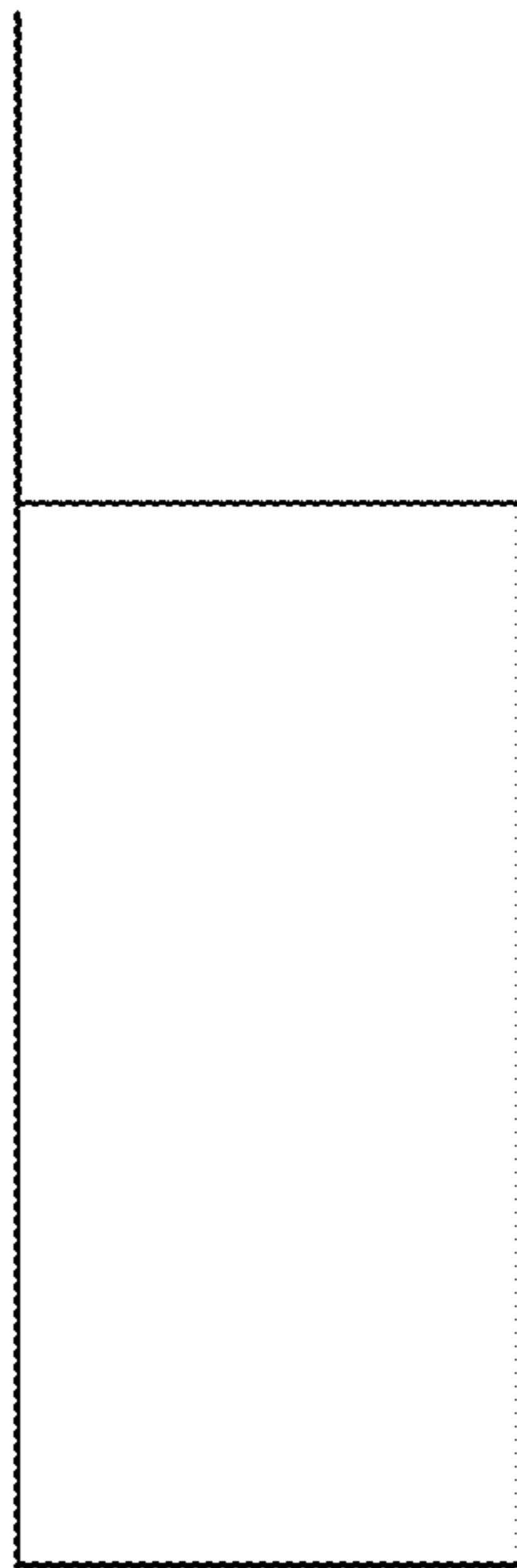


FIG. 6

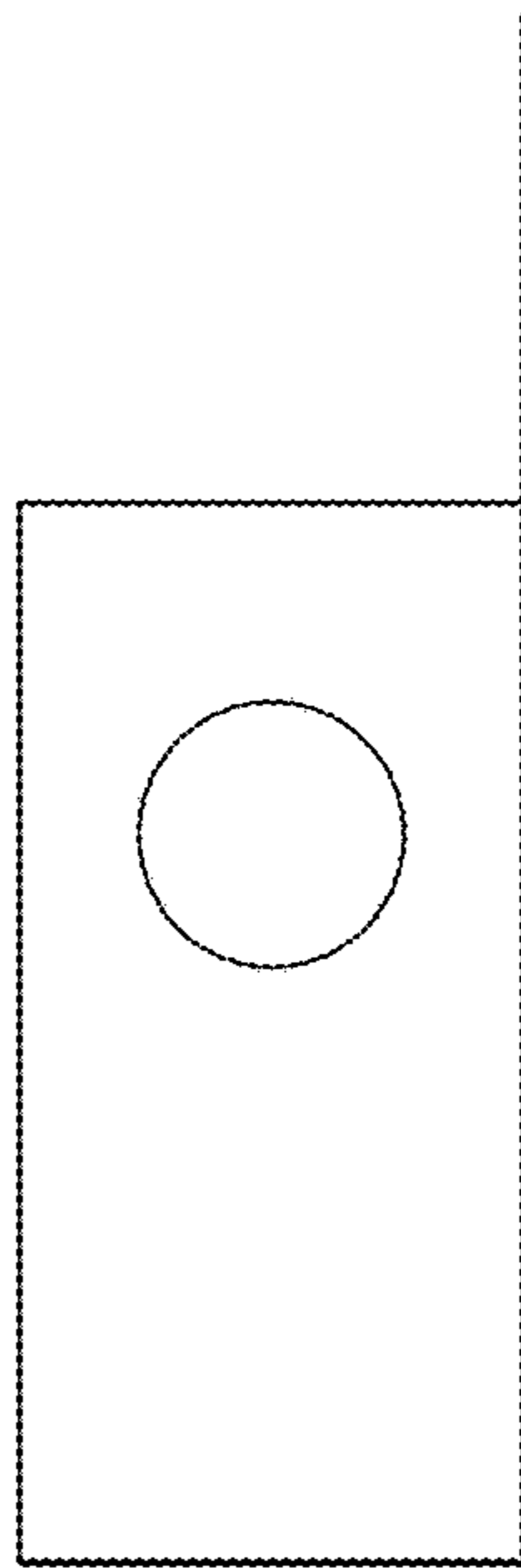


FIG. 7

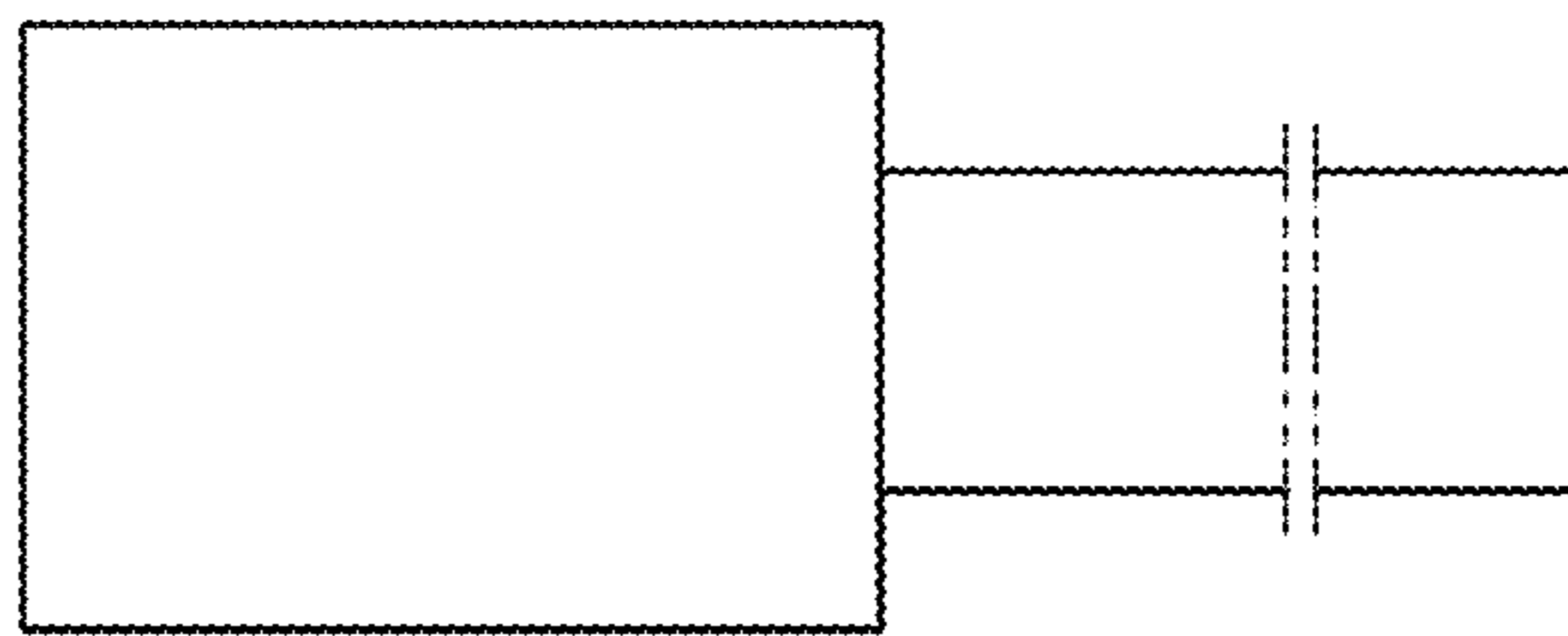


FIG. 8

