

US00D862700S

(12) **United States Design Patent** (10) **Patent No.:** **US D862,700 S**
Brogan et al. (45) **Date of Patent:** **** Oct. 8, 2019**

(54) **CONNECTOR FOR A MEDICAL IMAGING DEVICE**

D583,394 S * 12/2008 Ota D15/138
D840,540 S * 2/2019 Brogan D24/158
2012/0178297 A1* 7/2012 Schaefer H01J 35/165
439/625

(71) Applicant: **General Electric Company**,
Schenectady, NY (US)

(Continued)

(72) Inventors: **Richard Brogan**, Waukesha, WI (US);
Kalyan Koppisetty, Waukesha, WI
(US)

Primary Examiner — Anhdao Doan

(73) Assignee: **General Electric Company**,
Schenectady, NY (US)

(57) **CLAIM**

The ornamental design for a connector for a medical imaging device, as shown and described.

(**) Term: **15 Years**

DESCRIPTION

(21) Appl. No.: **29/663,430**

FIG. 1 is a front view of a design for a connector for a medical imaging device.

(22) Filed: **Sep. 14, 2018**

FIG. 2 is a rear view of the connector for a medical imaging device.

Related U.S. Application Data

(62) Division of application No. 29/585,485, filed on Nov. 23, 2016, now Pat. No. Des. 840,540.

FIG. 3 is a top view of the connector for a medical imaging device.

(51) **LOC (12) Cl.** **24-01**

FIG. 4 is a bottom view of the connector for a medical imaging device.

(52) **U.S. Cl.**
USPC **D24/158**

FIG. 5 is a left side view of the connector for a medical imaging device.

(58) **Field of Classification Search**
USPC D24/158-161, 185, 186, 107; D13/147,
D13/154, 184

FIG. 6 is a right side view of the connector for a medical imaging device.

CPC A61N 2005/1061; A61N 5/10; A61N
5/1081; A61N 5/1048; A61N 5/1049
See application file for complete search history.

FIG. 7 is a front perspective view of the connector for a medical imaging device.

FIG. 8 is a rear perspective view of the connector for a medical imaging device.

(56) **References Cited**

U.S. PATENT DOCUMENTS

5,154,638 A * 10/1992 Sireul H01R 13/53
439/611
D434,006 S * 11/2000 Lesesky D13/147
D452,961 S * 1/2002 Zheng D13/147
6,364,529 B1 * 4/2002 Dawson A61B 6/583
378/18
D582,949 S * 12/2008 Yamashita D15/138

FIG. 9 is another left side view of the connector for a medical imaging device.

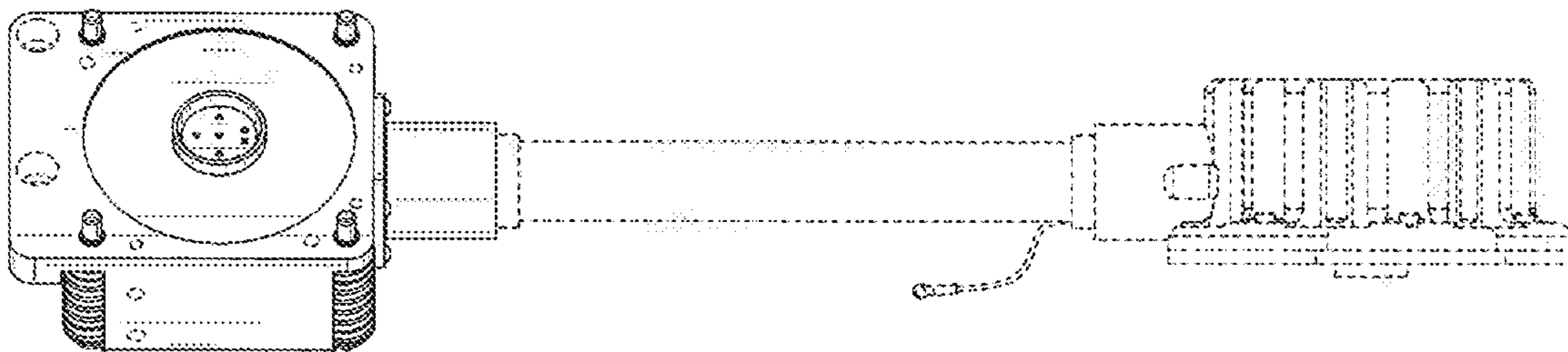
FIG. 10 is a rear bottom perspective view of the connector for a medical imaging device.

FIG. 11 is a front top perspective view of the connector for a medical imaging device; and,

FIG. 12 is front top right perspective view of the connector for a medical imaging device.

The broken lines in FIGS. 1-12 are included for the purpose of illustrating environmental structure and form no part of the claimed design.

1 Claim, 9 Drawing Sheets



(56)

References Cited

U.S. PATENT DOCUMENTS

2016/0287904 A1* 10/2016 Liu A61B 6/035
2017/0038445 A1* 2/2017 Seeber G01R 33/3858

* cited by examiner

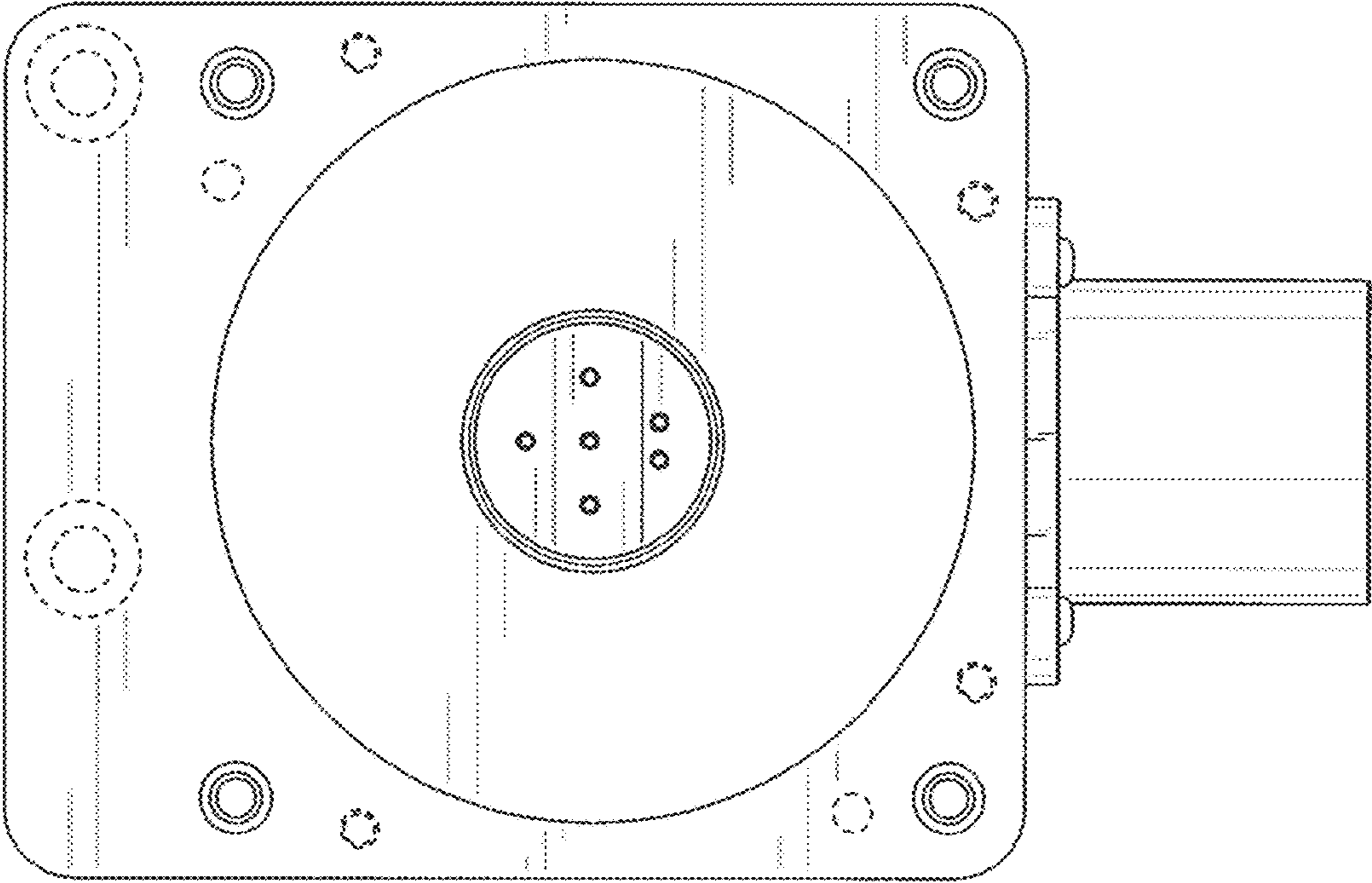


Fig. 1

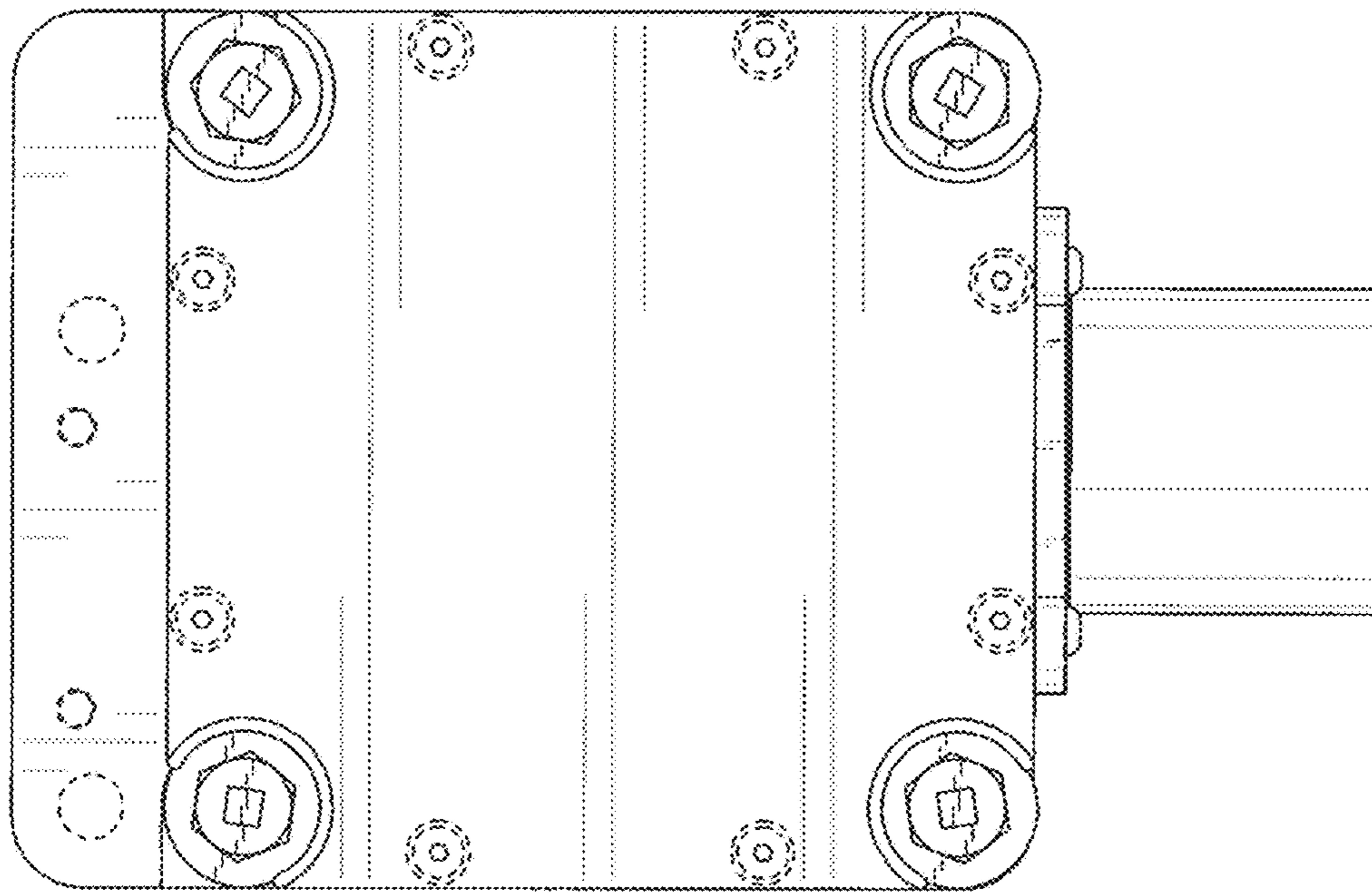


Fig. 2

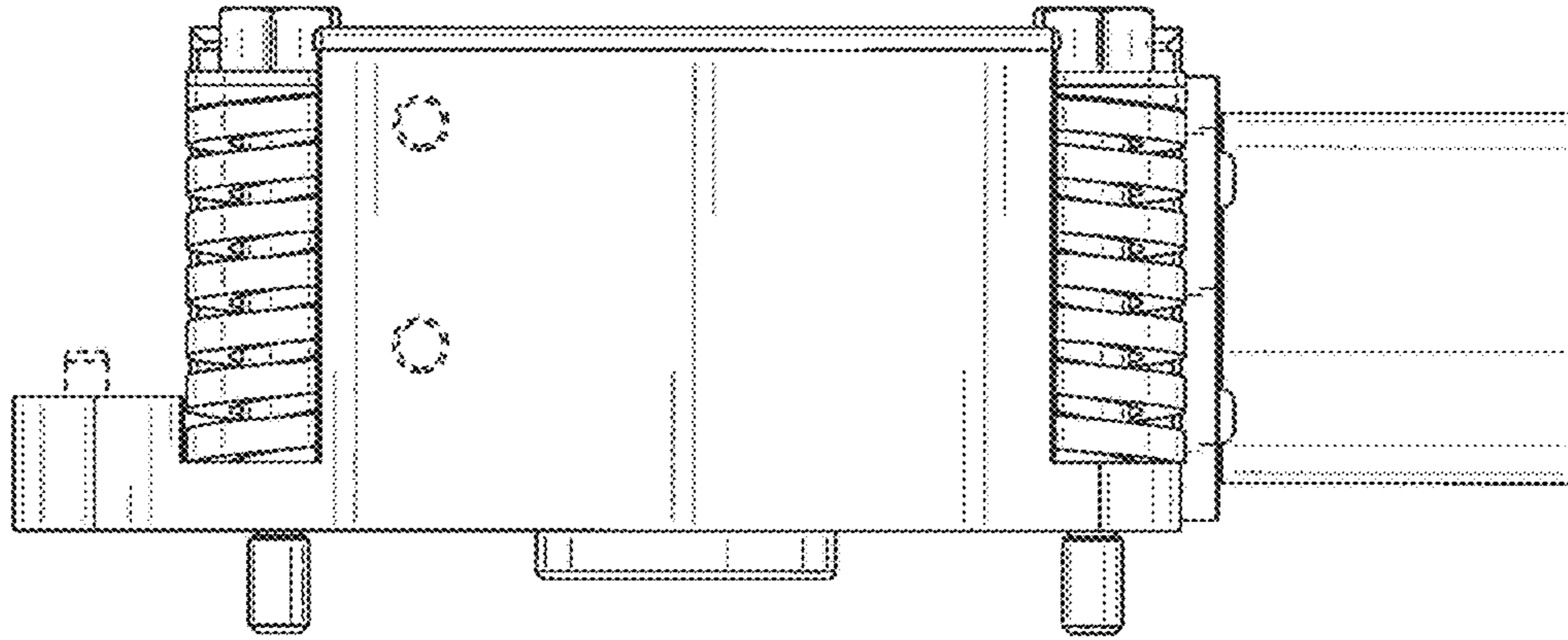


Fig. 3

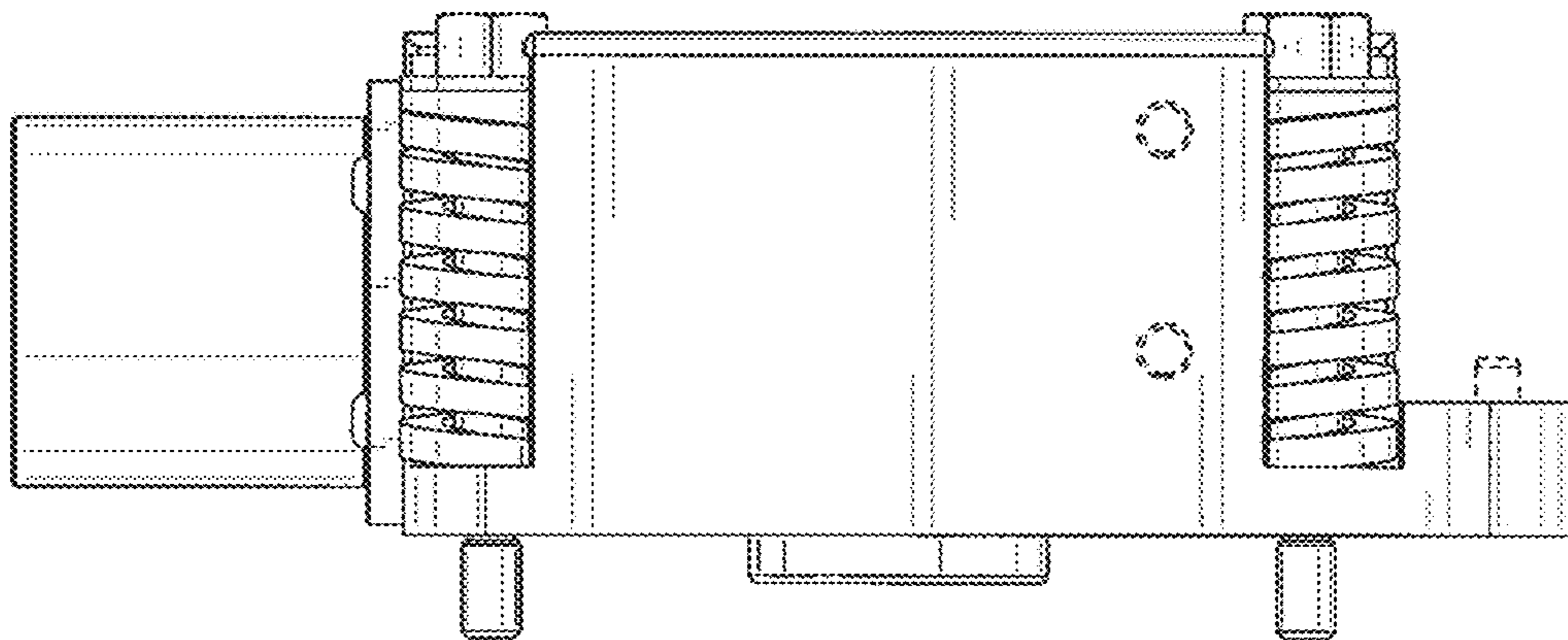


Fig. 4

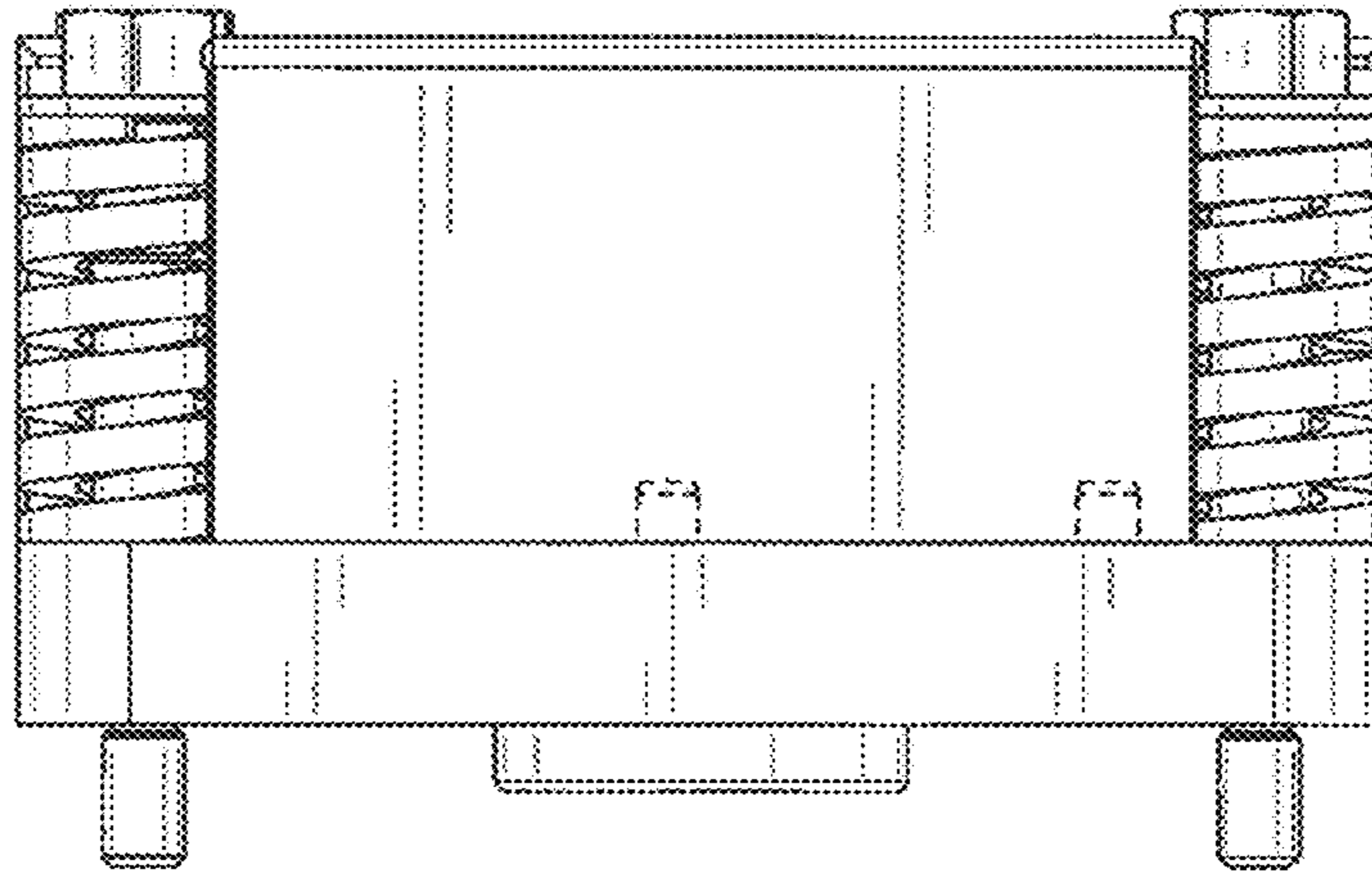


Fig. 5

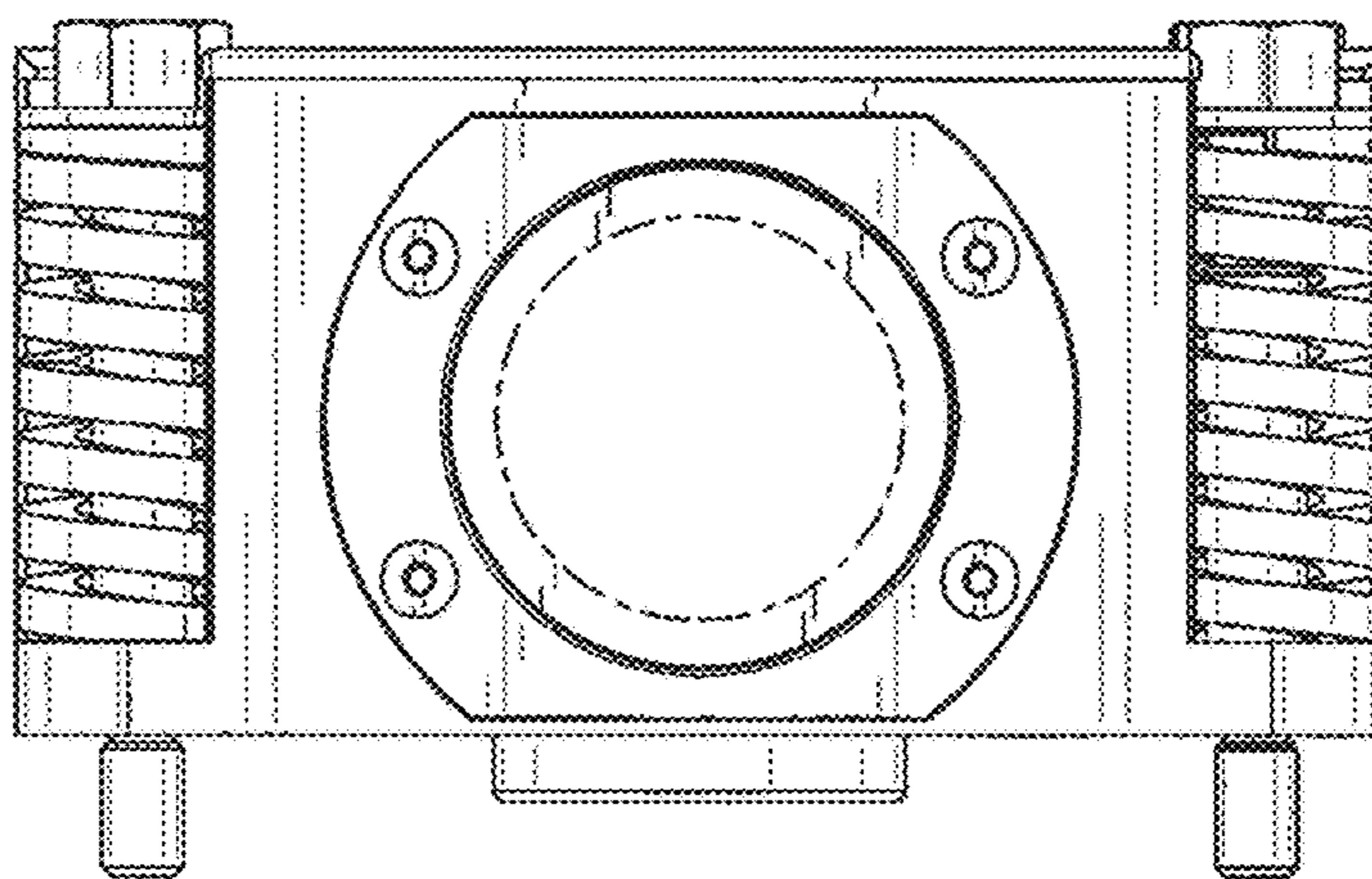


Fig. 6

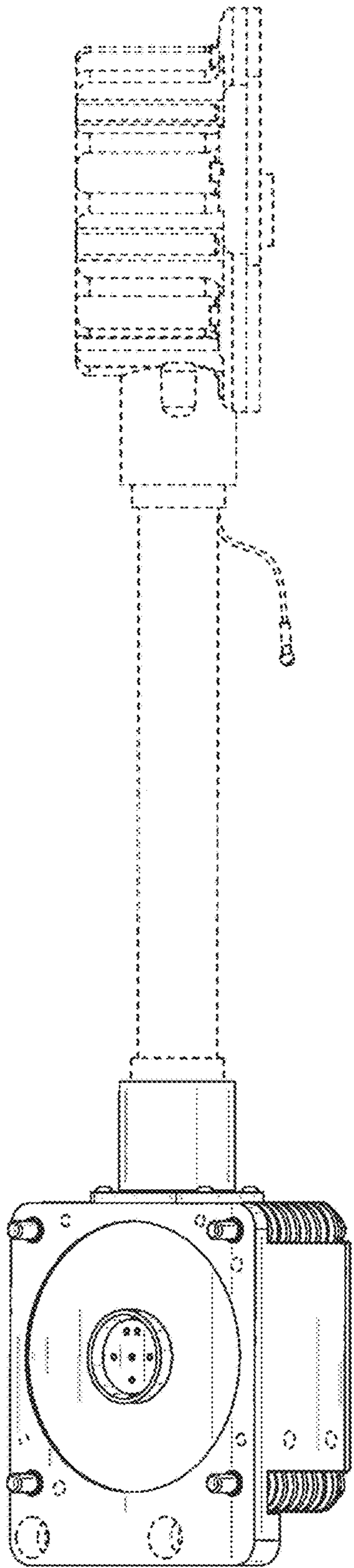


Fig. 7

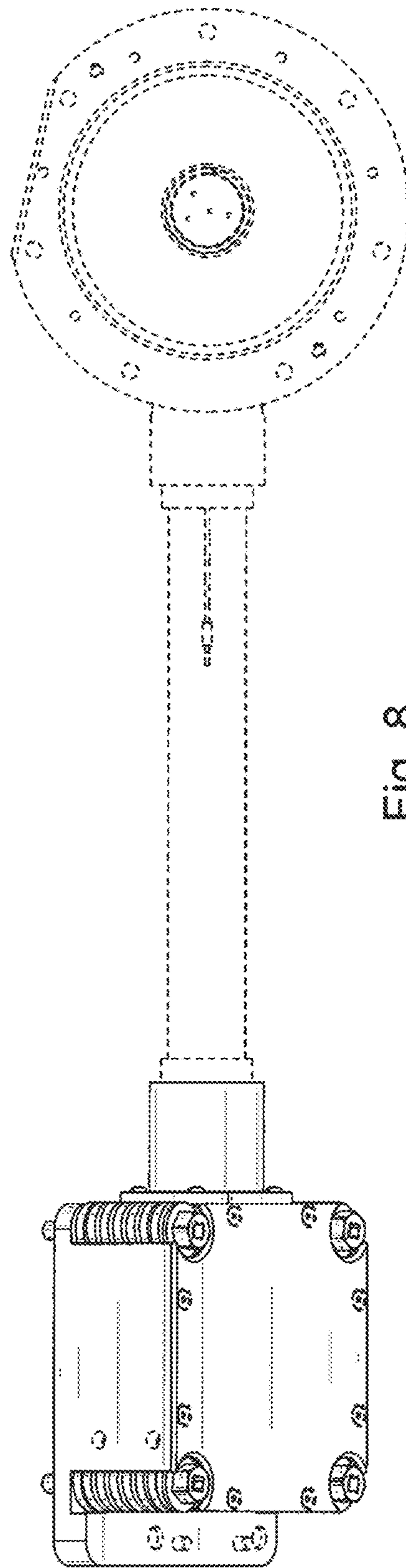


Fig. 8

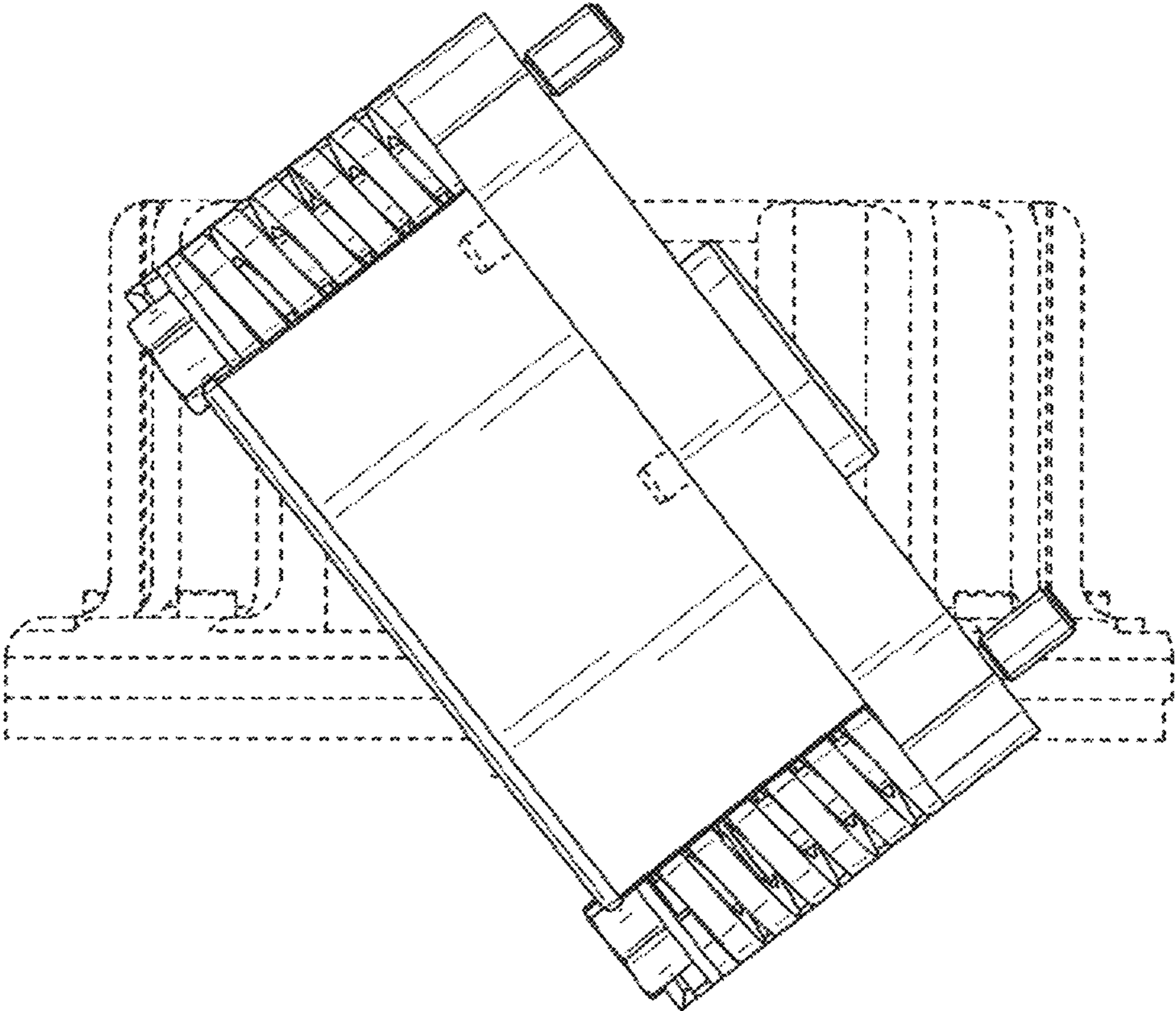


Fig. 9

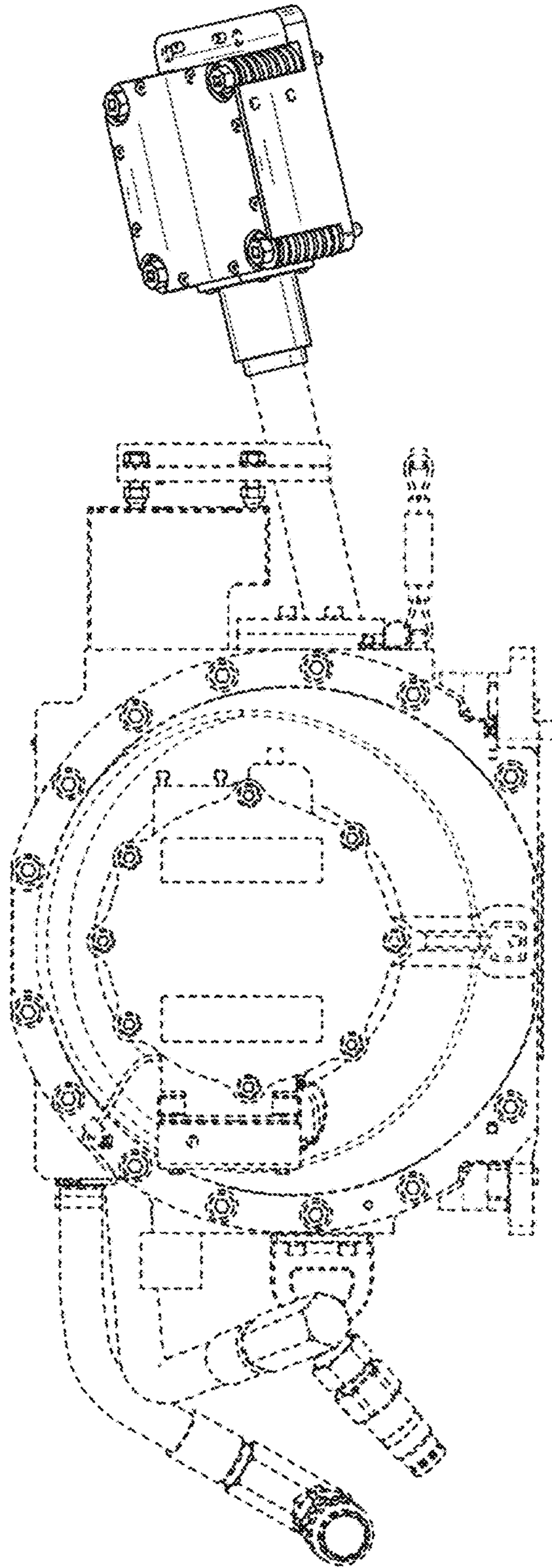


Fig. 10

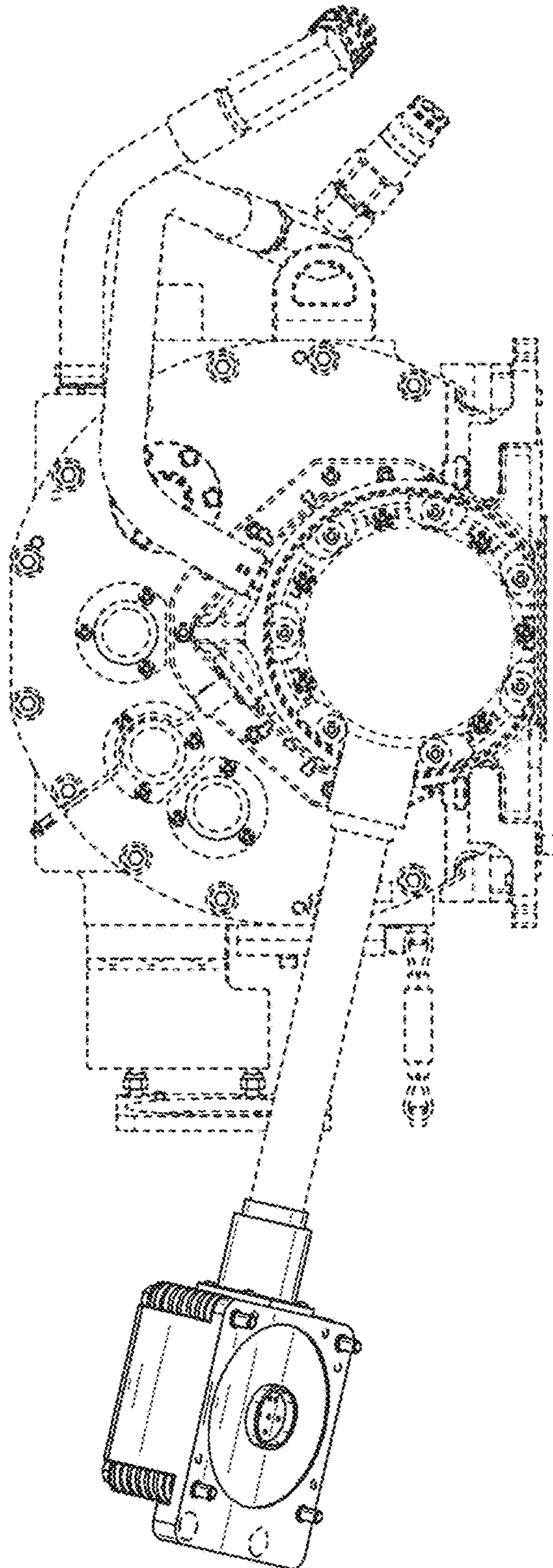


Fig. 11

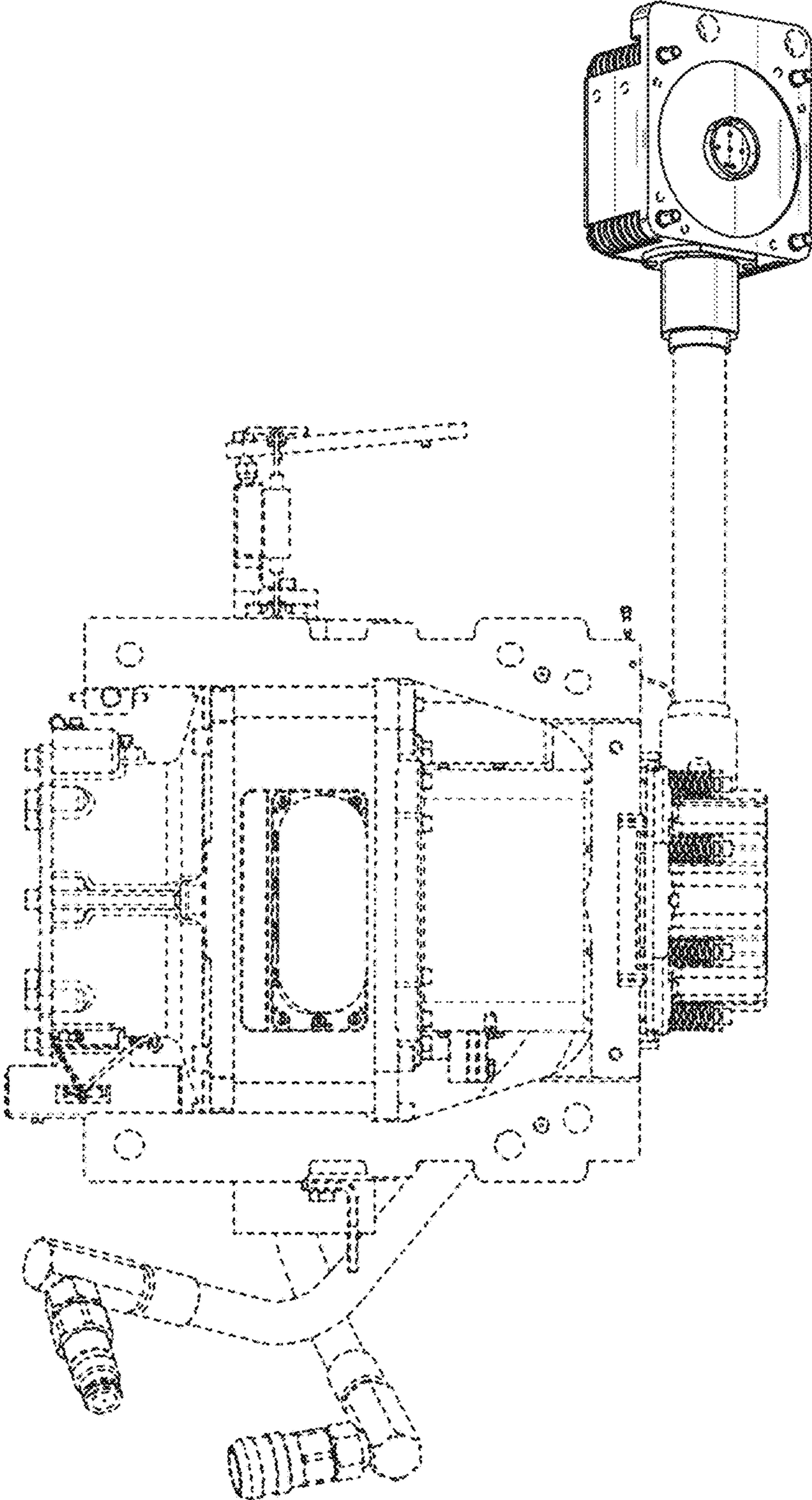


Fig. 12