

US00D862699S

(12) **United States Design Patent**
Kim

(10) **Patent No.:** **US D862,699 S**

(45) **Date of Patent:** **** Oct. 8, 2019**

(54) **MAGNETIC RESONANCE IMAGING
DEVICE**

(71) Applicant: **SAMSUNG ELECTRONICS CO.,
LTD.**, Suwon-si, Gyeonggi-do (KR)

(72) Inventor: **Yunsu Kim**, Seongnam-si (KR)

(73) Assignee: **SAMSUNG ELECTRONICS CO.,
LTD.**, Gyeonggi-Do (KR)

(**) Term: **15 Years**

(21) Appl. No.: **29/644,616**

(22) Filed: **Apr. 19, 2018**

(30) **Foreign Application Priority Data**

Nov. 15, 2017 (KR) 30-2017-0053324

(51) **LOC (12) Cl.** **24-01**

(52) **U.S. Cl.**
USPC **D24/158**

(58) **Field of Classification Search**
USPC D24/107, 158-161, 185, 186, 187, 231;
D14/334, 336, 371, 374, 382, 388, 443,
D14/448

CPC .. A61B 6/03; A61B 6/035; A61B 5/05; A61B
5/055; G01N 2223/1013; G01N
2223/1016; A61N 2005/1054; A61N
2005/1055; A61N 2005/1074

See application file for complete search history.

(56) **References Cited**

U.S. PATENT DOCUMENTS

D503,402 S * 3/2005 Su D14/388
D559,389 S * 1/2008 Takahashi D24/158

D723,700 S * 3/2015 Landis D14/336
D751,205 S * 3/2016 Tan D24/158
D770,051 S * 10/2016 Eggli D24/186
D784,541 S * 4/2017 Hilbig D24/186
D788,047 S * 5/2017 Fremuth D13/162
D796,678 S * 9/2017 Dekock D24/158
D804,013 S * 11/2017 Carreon D24/107
D820,257 S * 6/2018 Meurer D14/371

* cited by examiner

Primary Examiner — Anhdao Doan

(74) *Attorney, Agent, or Firm* — Cantor Colburn LLP

(57) **CLAIM**

The ornamental design for a magnetic resonance imaging device, as shown and described.

DESCRIPTION

FIG. 1 is a front perspective view of a magnetic resonance imaging (“MRI”) device, showing my new design; FIG. 2 is a front view thereof; FIG. 3 is a rear view thereof; FIG. 4 is a left side view thereof; FIG. 5 is a right side view thereof; FIG. 6 is a top view thereof; FIG. 7 is a bottom view thereof; FIG. 8 is a rear perspective view thereof; and, FIG. 9 is a cross-sectional view thereof, taken along line 9-9 in FIG. 2.

The broken lines illustrating portions of the MRI device are for environmental purposes only and form no part of the claimed design.

1 Claim, 9 Drawing Sheets

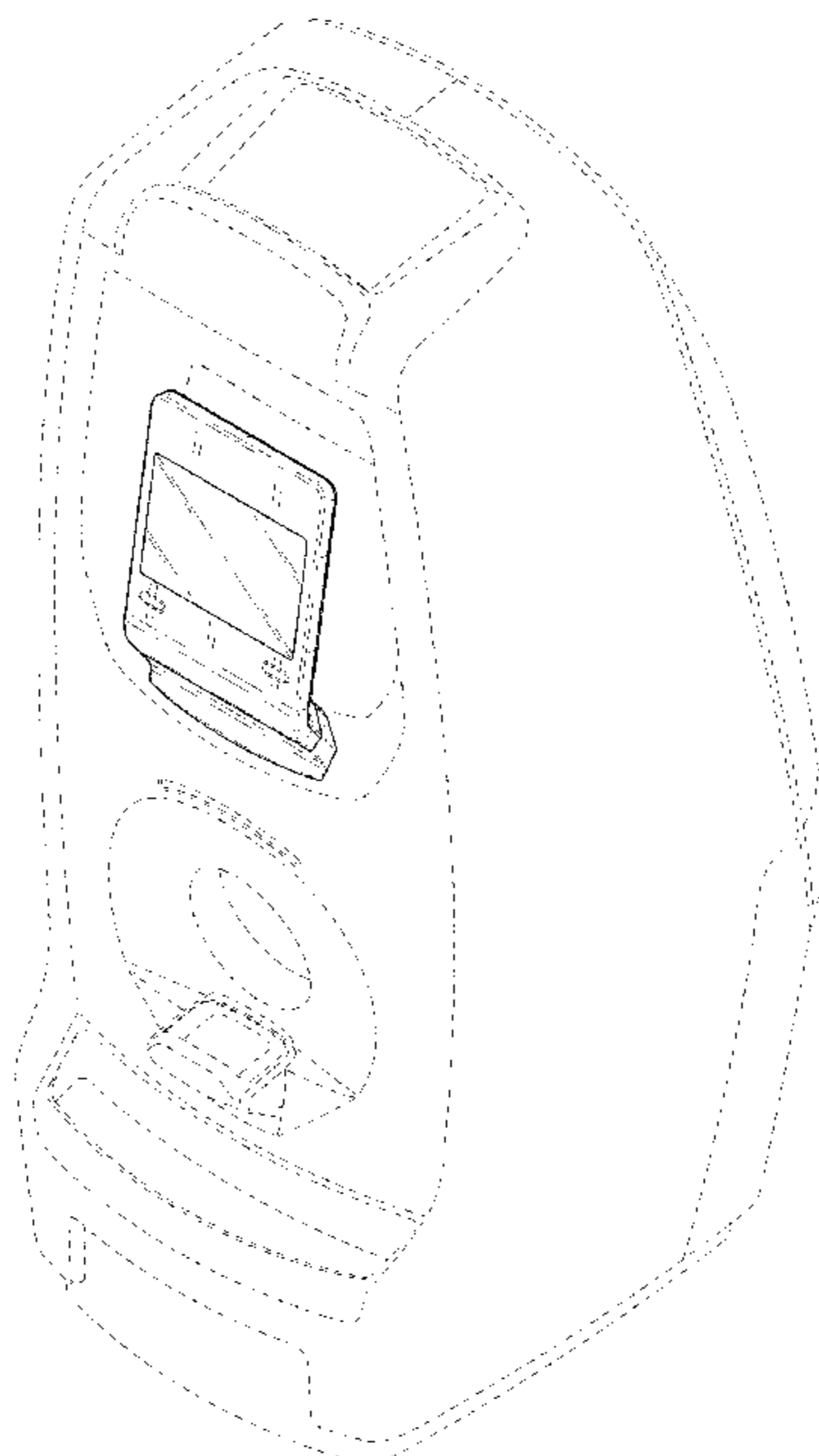


FIG. 1

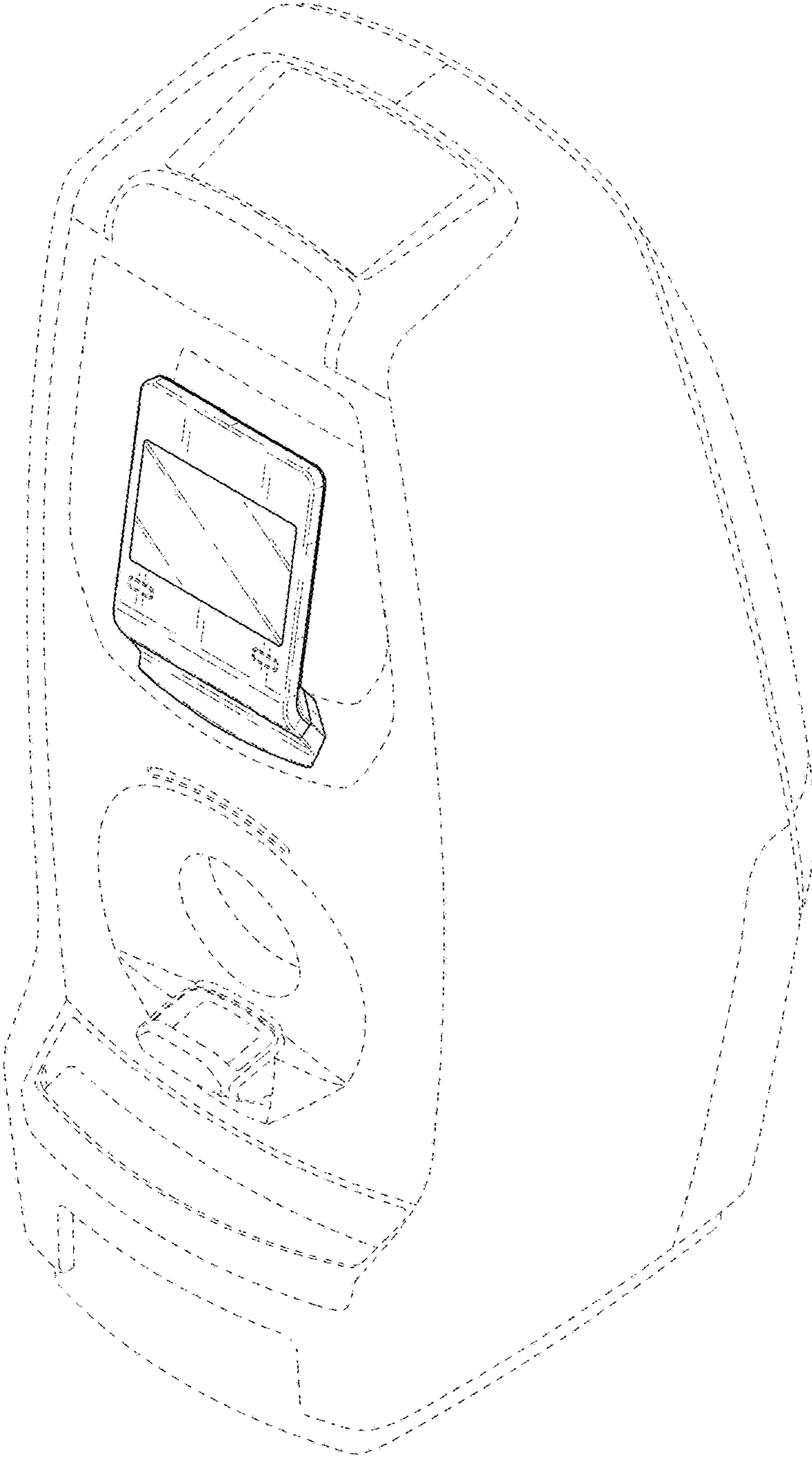


FIG. 2

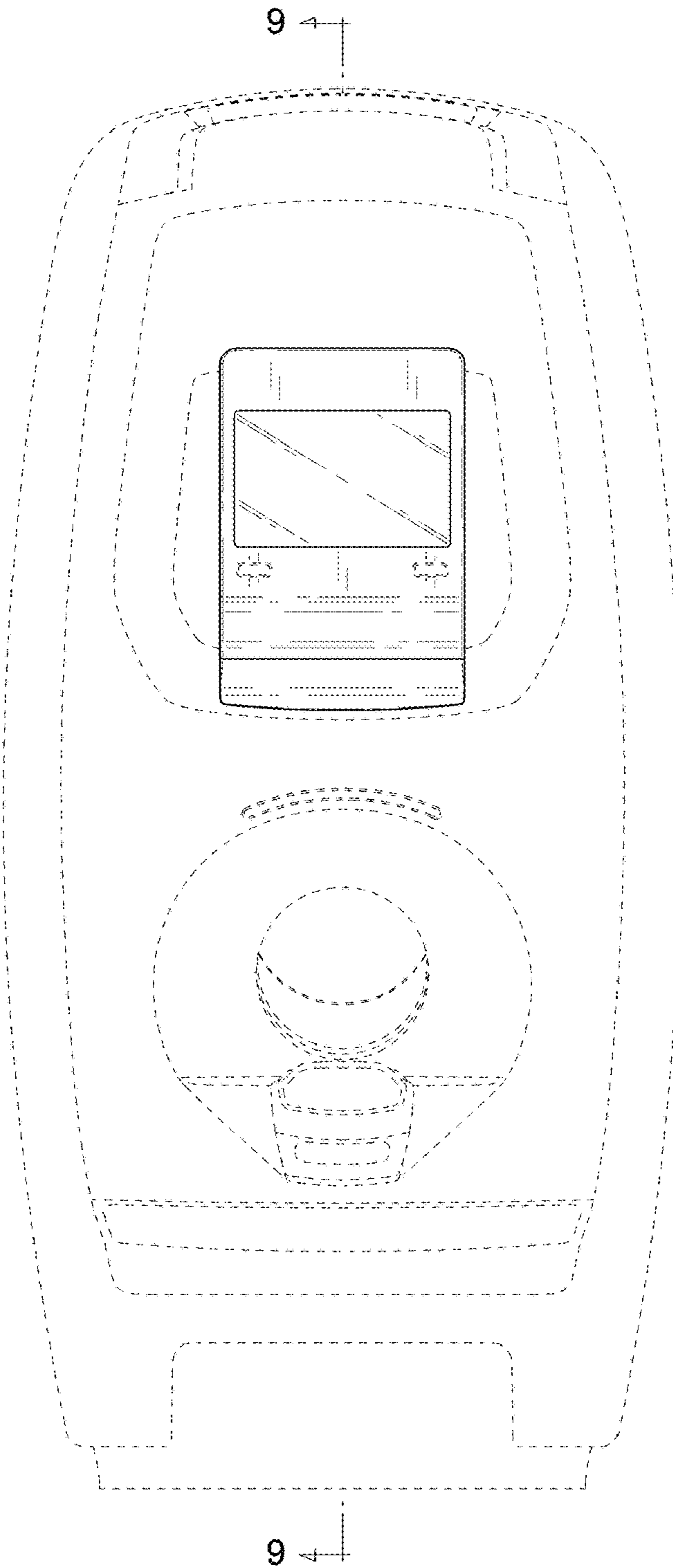


FIG. 3

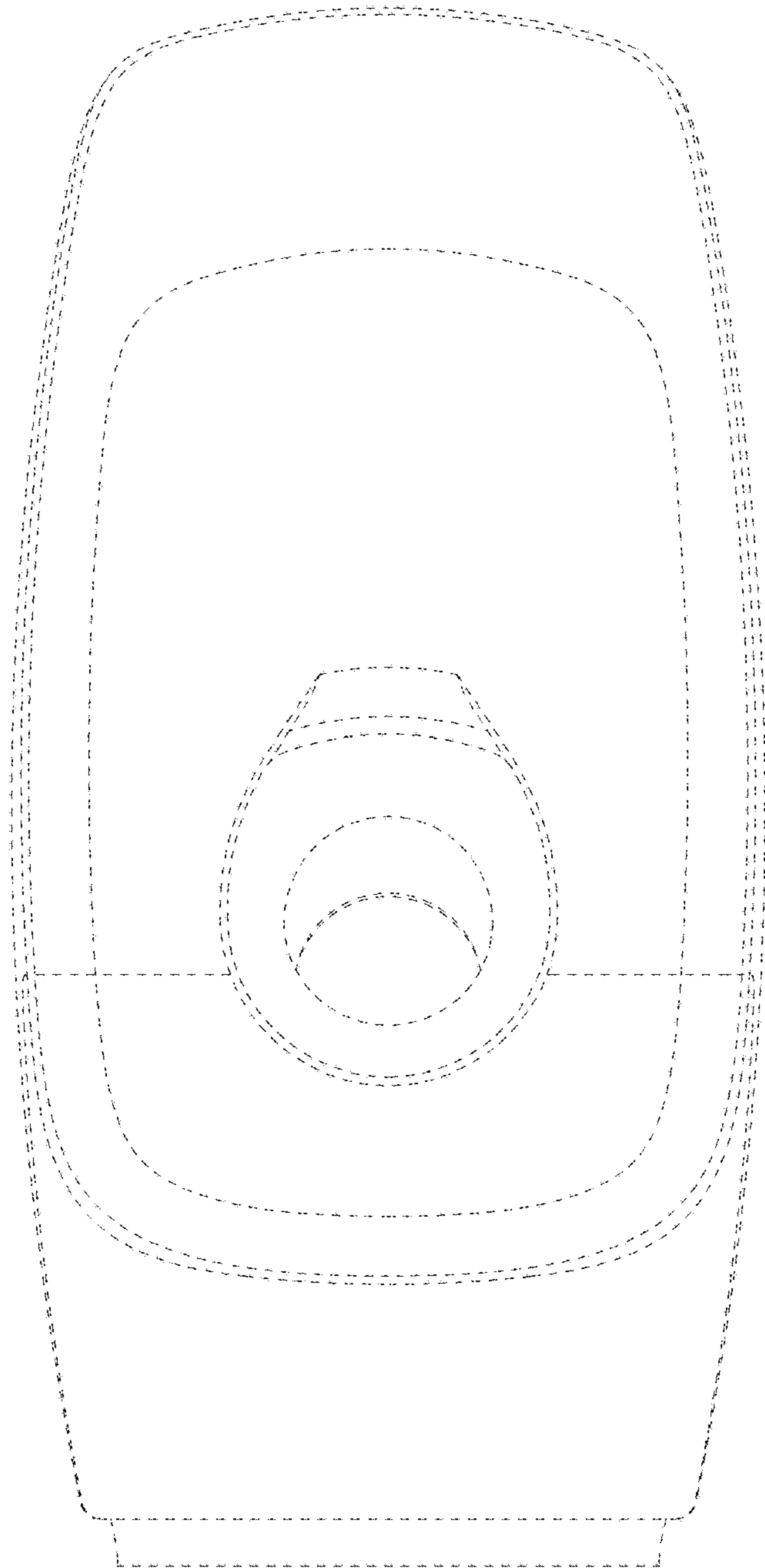


FIG. 4

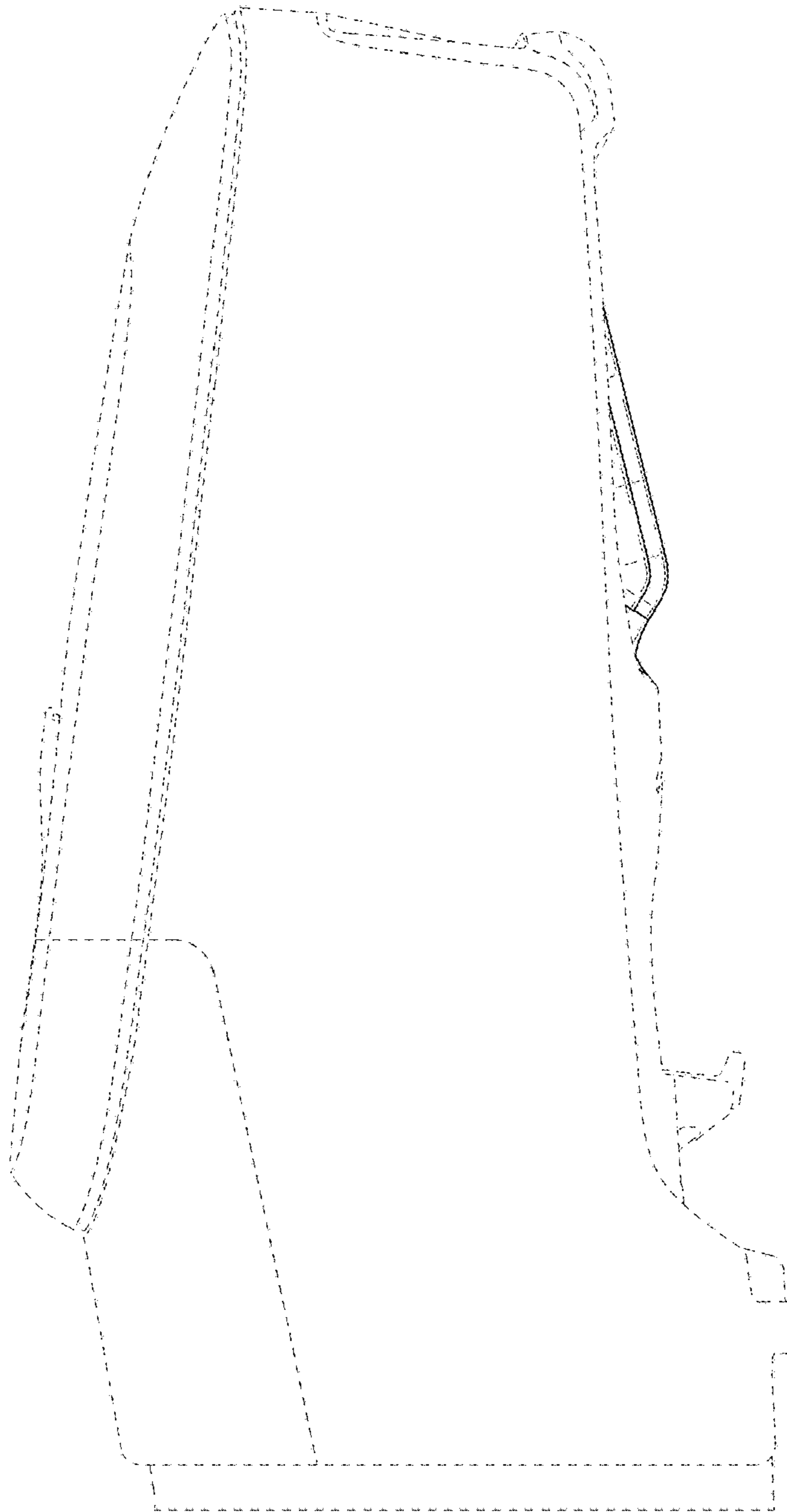


FIG. 5

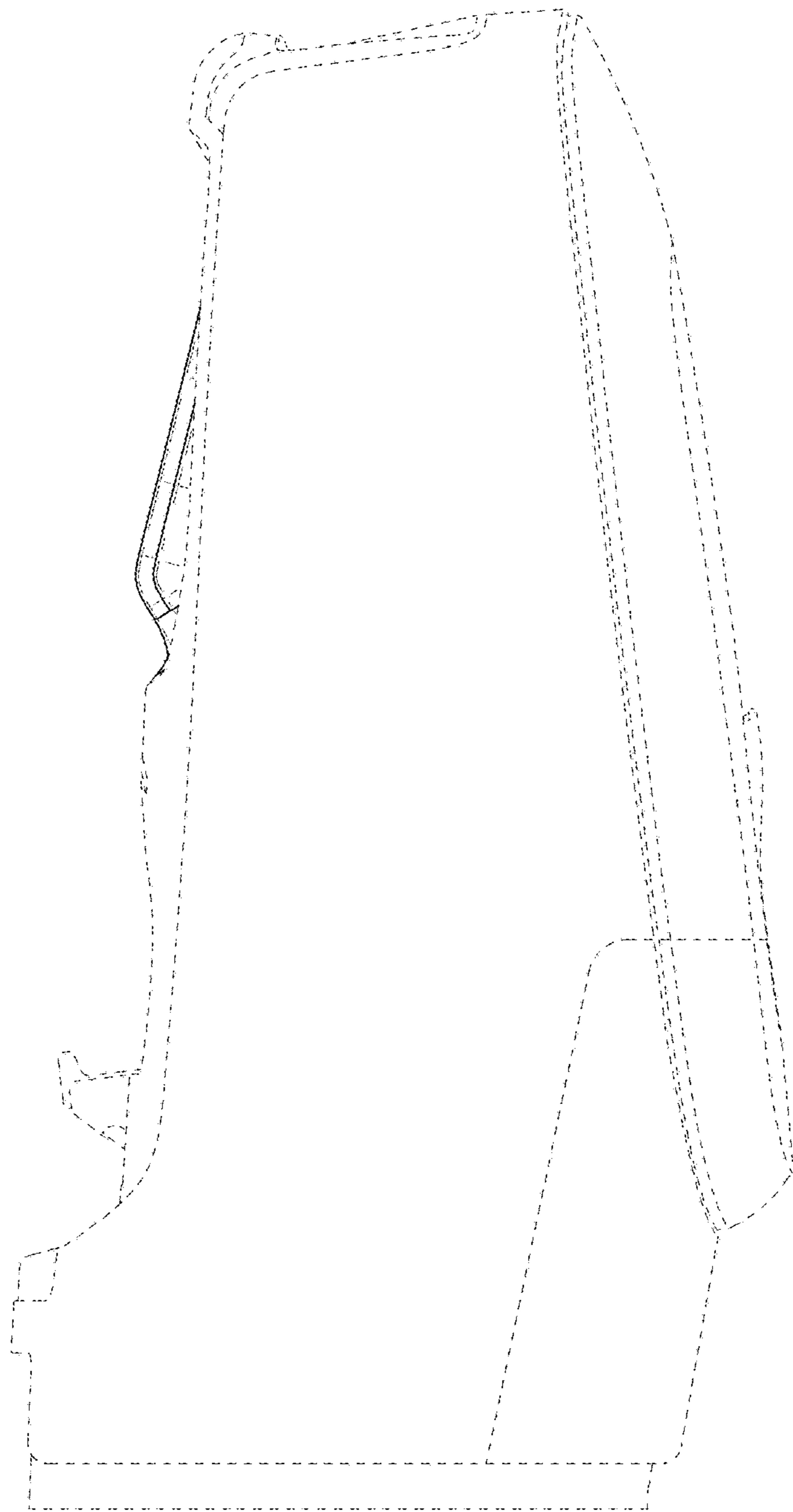


FIG. 6

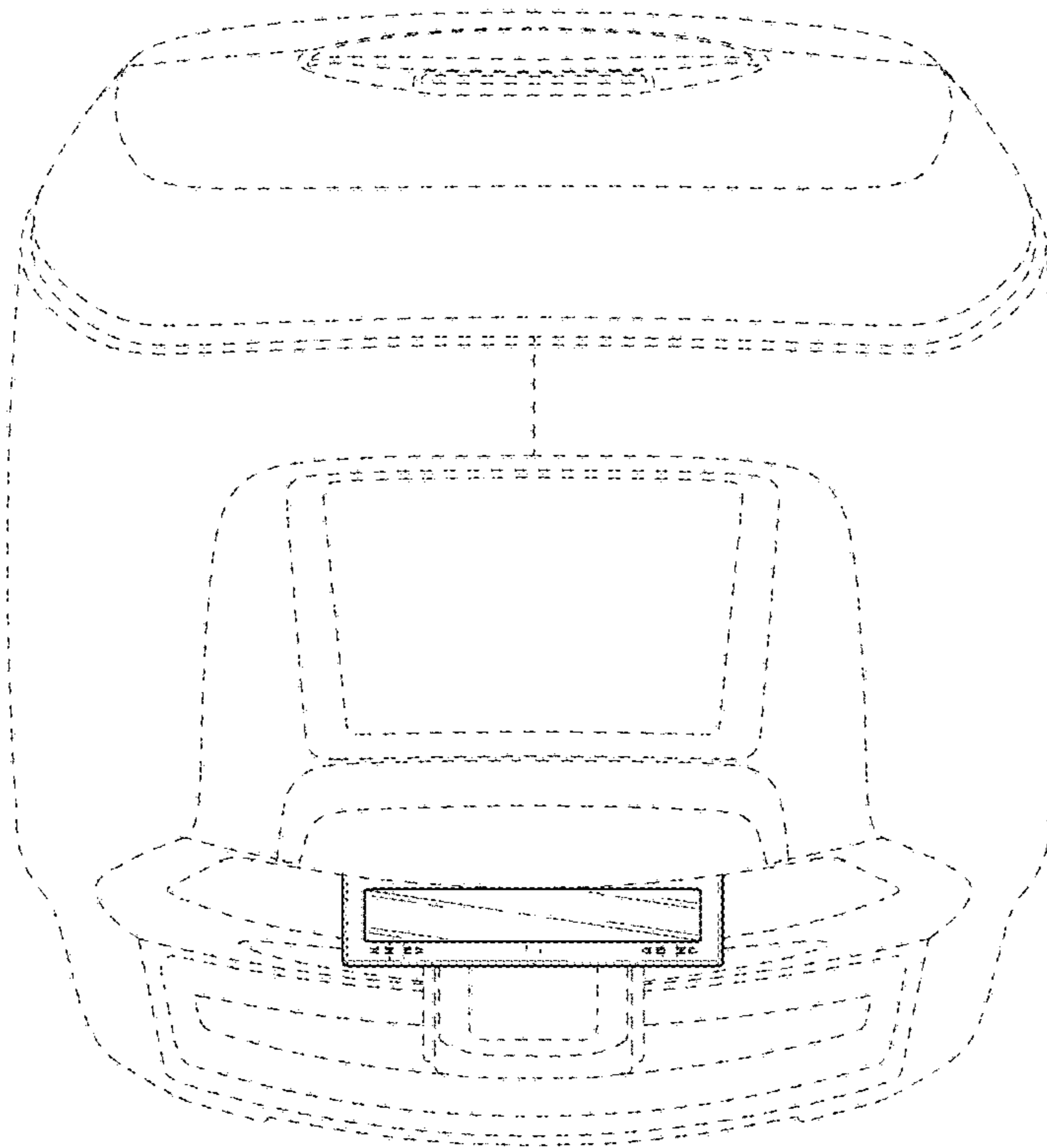


FIG. 7

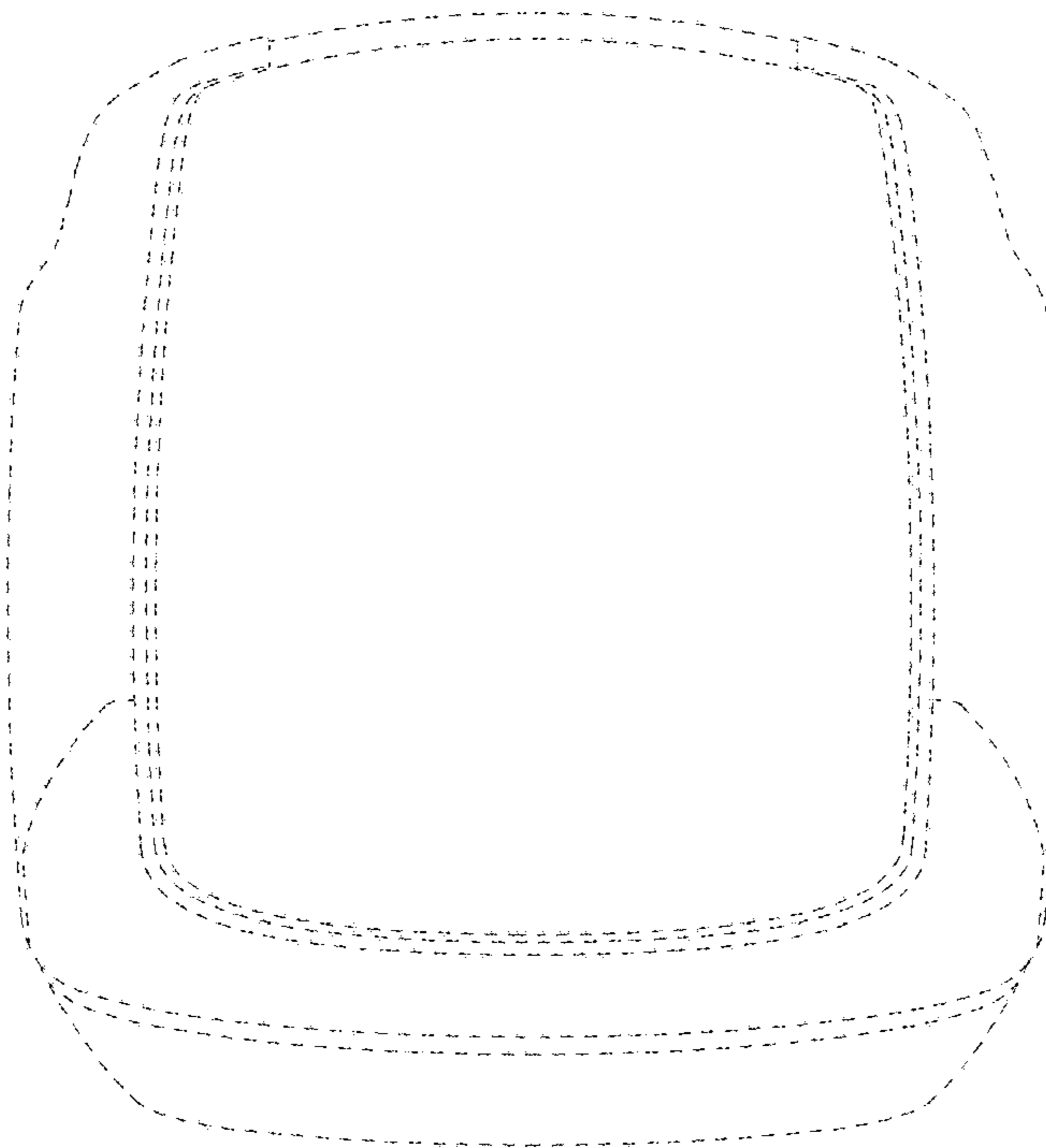


FIG. 8

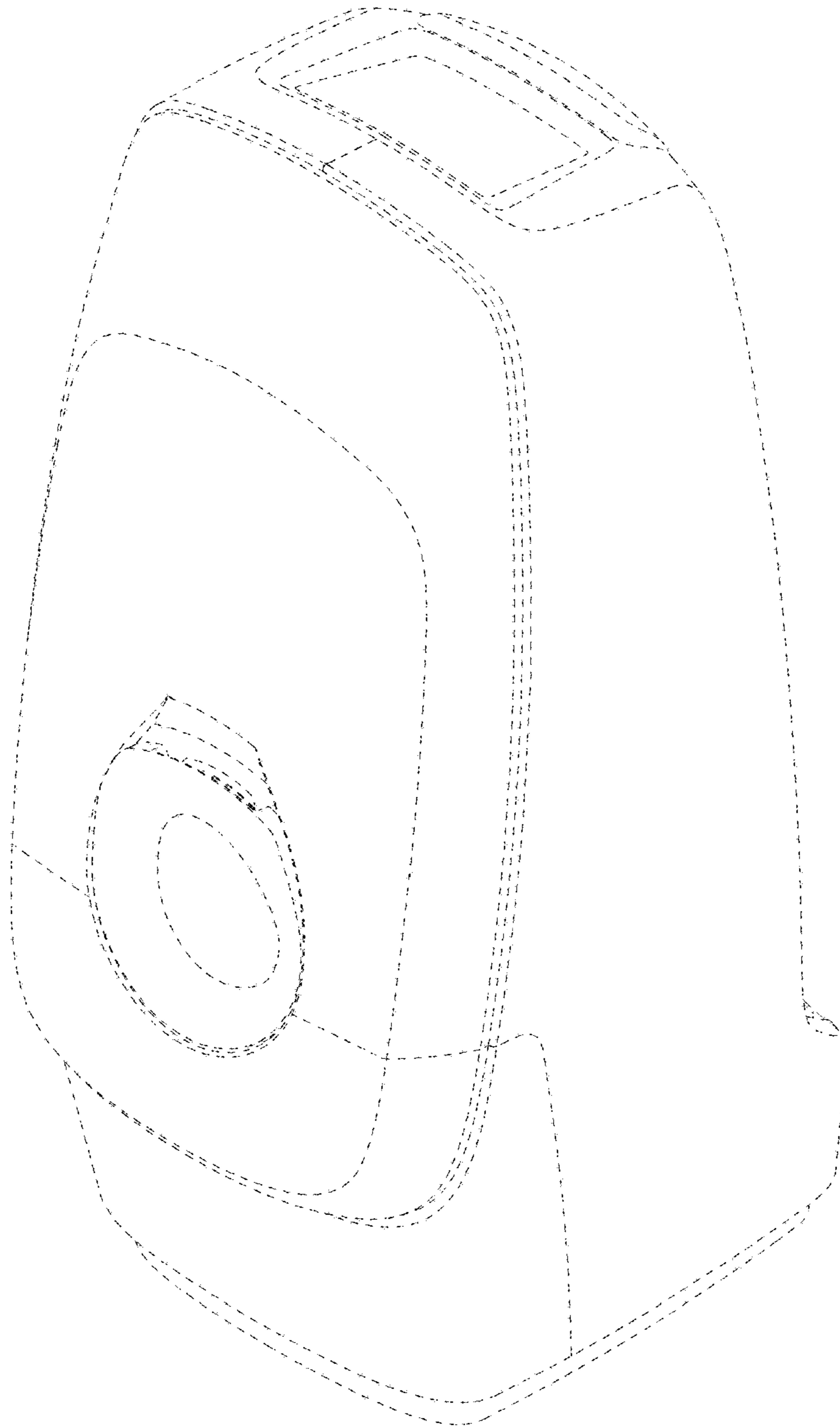


FIG. 9

