

US00D862698S

(12) **United States Design Patent**
Chen et al.

(10) **Patent No.:** **US D862,698 S**
(45) **Date of Patent:** **** Oct. 8, 2019**

(54) **COIL FOR A MEDICAL IMAGING SYSTEM**

(71) Applicant: **Siemens Healthcare GmbH**, Erlangen (DE)

(72) Inventors: **Yan Hong Chen**, Shenzhen (CN); **Zeng He He**, Shenzhen (CN); **Wen Ming Li**, Shenzhen (CN)

(73) Assignee: **Siemens Healthcare GmbH**, Erlangen (DE)

(**) Term: **15 Years**

(21) Appl. No.: **29/635,047**

(22) Filed: **Jan. 26, 2018**

(30) **Foreign Application Priority Data**

Jul. 26, 2017 (CN) 2017 30 333504

(51) **LOC (12) Cl.** **24-01**

(52) **U.S. Cl.**
USPC **D24/158**

(58) **Field of Classification Search**
USPC D24/107, 158-161, 185, 186, 187, 231
CPC A61B 5/0042; A61B 5/055; A61B 6/03;
A61B 6/035; G01R 33/283; G01R 33/34084; G01R 33/34069; G01R 33/4806; G01R 33/4812

See application file for complete search history.

(56) **References Cited**

U.S. PATENT DOCUMENTS

D350,825 S * 9/1994 Lee D24/158
6,498,489 B1 * 12/2002 Vij G01R 33/341
324/318
D591,862 S * 5/2009 Taniguchi D24/158
D686,324 S * 7/2013 Davis D24/158

D692,139 S * 10/2013 Charles D24/158
D701,961 S * 4/2014 Charles D24/158
2012/0153954 A1 * 6/2012 Ota A61B 5/0555
324/318
2014/0005525 A1 * 1/2014 Chen G01R 33/34084
600/422
2018/0097274 A1 * 4/2018 Chen G01R 33/34084

* cited by examiner

Primary Examiner — Anhdao Doan

(74) *Attorney, Agent, or Firm* — Schiff Hardin LLP

(57) **CLAIM**

The ornamental design for a coil for a medical imaging system, as shown and described.

DESCRIPTION

FIG. 1 is a front elevational view of a first embodiment of a coil for a medical imaging system showing our new design;

FIG. 2 is a back elevational view thereof;

FIG. 3 is a top plan view thereof;

FIG. 4 is a bottom plan view thereof;

FIG. 5 is a right side elevational view thereof;

FIG. 6 is a left side elevational view thereof; and

FIG. 7 is a perspective view taken generally from the front, top, and left-hand side thereof.

FIG. 8 is a front elevational view of a second embodiment of a coil for a medical imaging system showing our new design;

FIG. 9 is a back elevational view thereof;

FIG. 10 is a top plan view thereof;

FIG. 11 is a bottom plan view thereof;

FIG. 12 is a right side elevational view thereof;

FIG. 13 is a left side elevational view thereof; and,

FIG. 14 is a perspective view taken generally from the front, top, and left-hand side thereof.

1 Claim, 14 Drawing Sheets

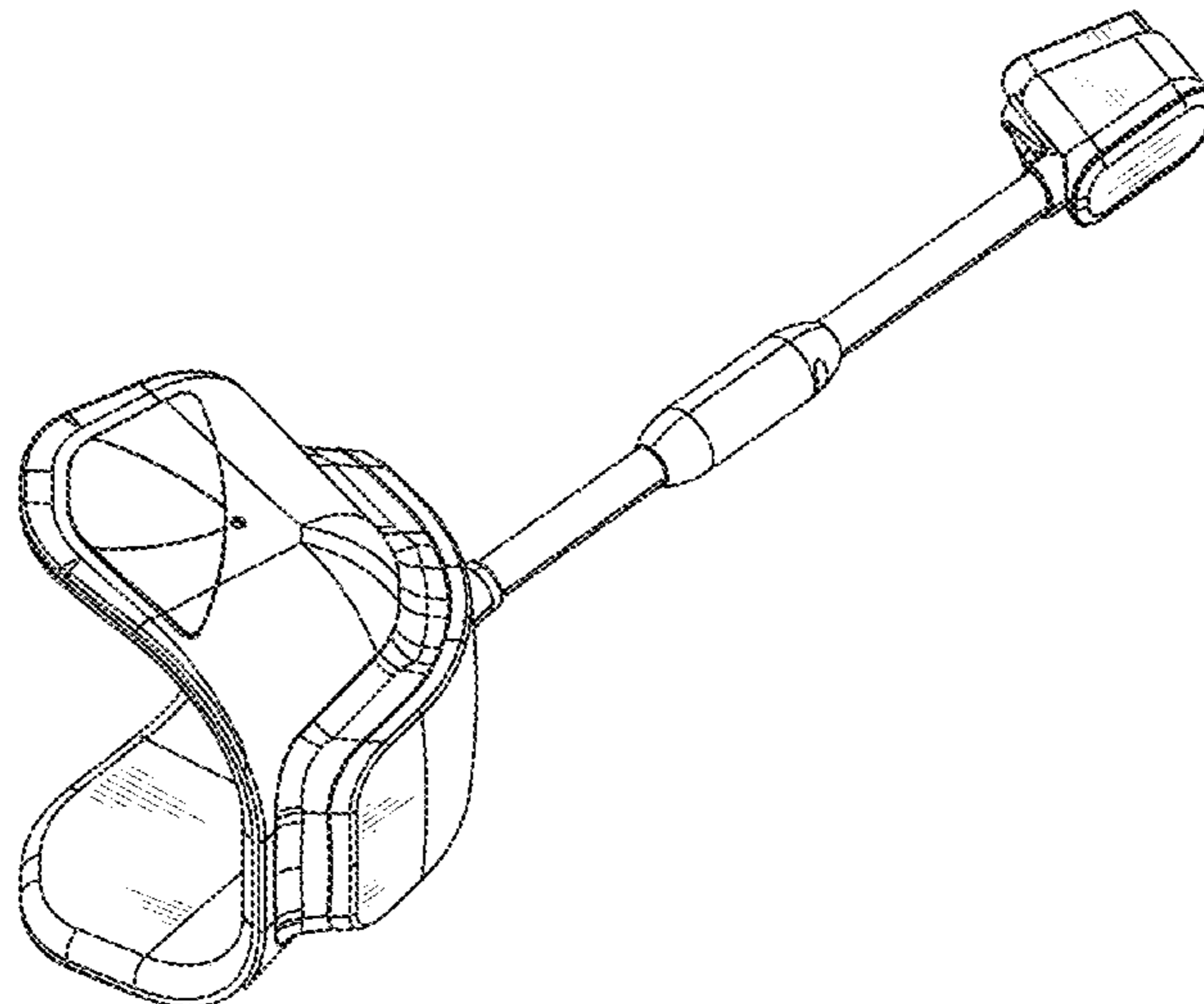


FIG. 1

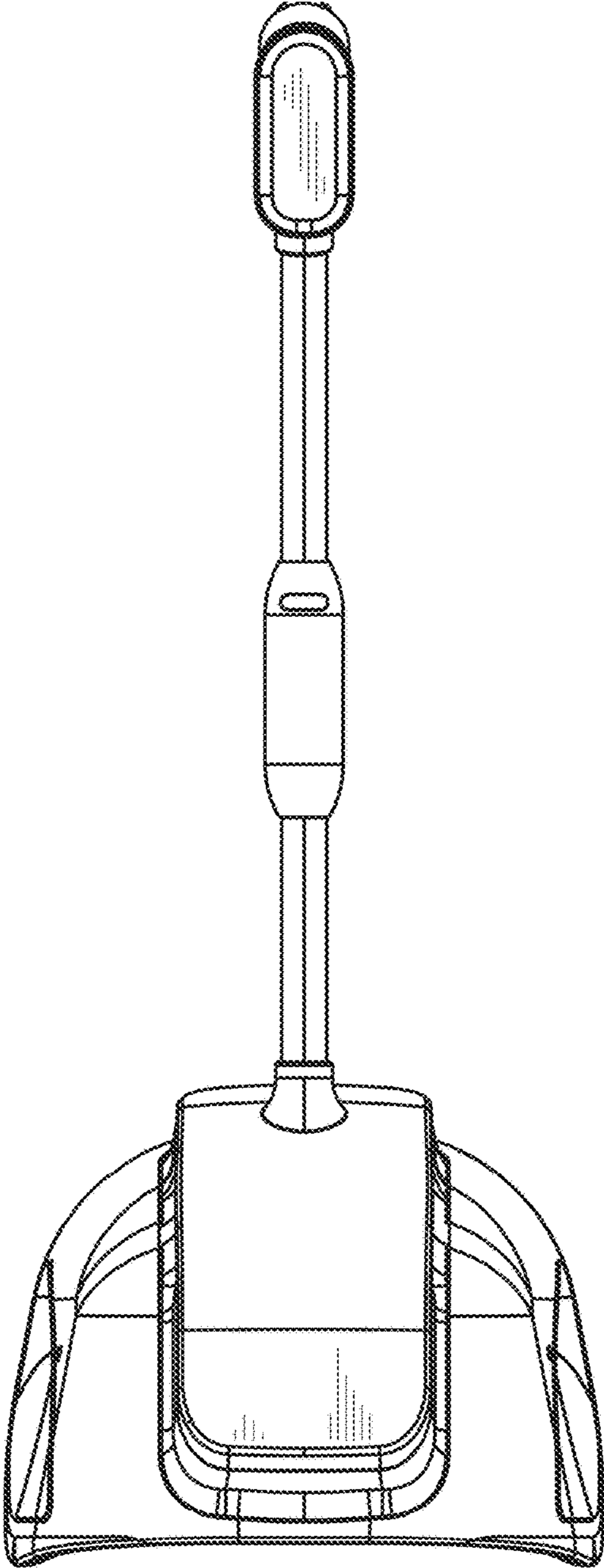


FIG. 2

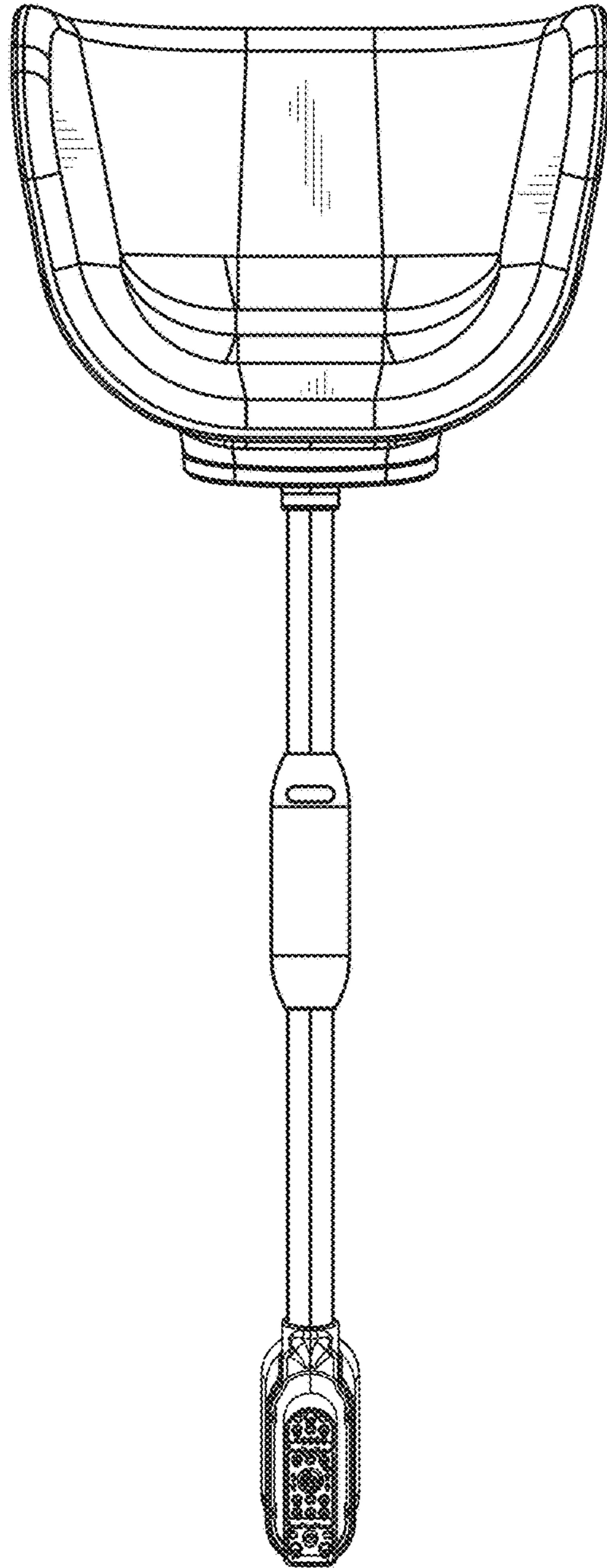


FIG. 3

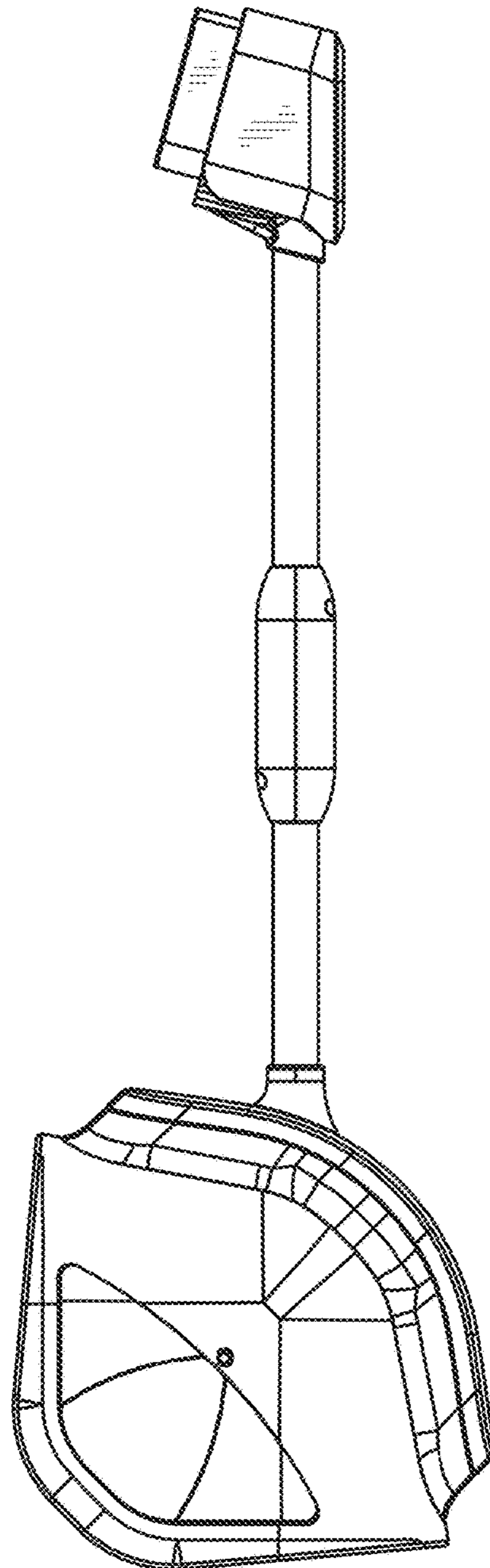


FIG. 4

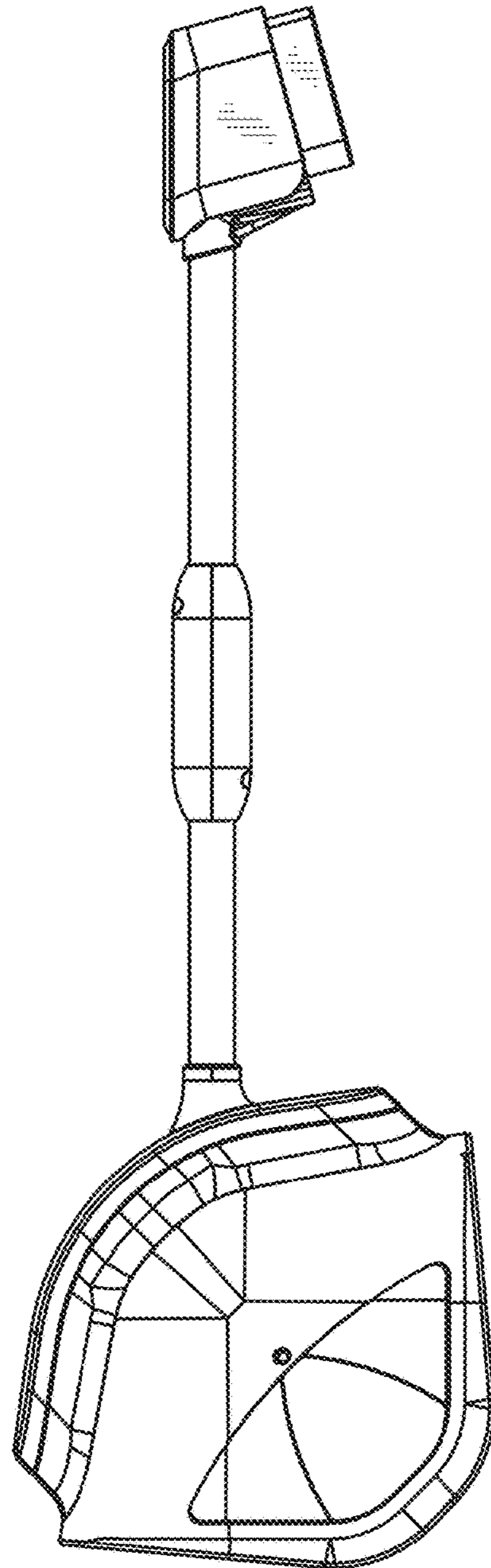


FIG. 5

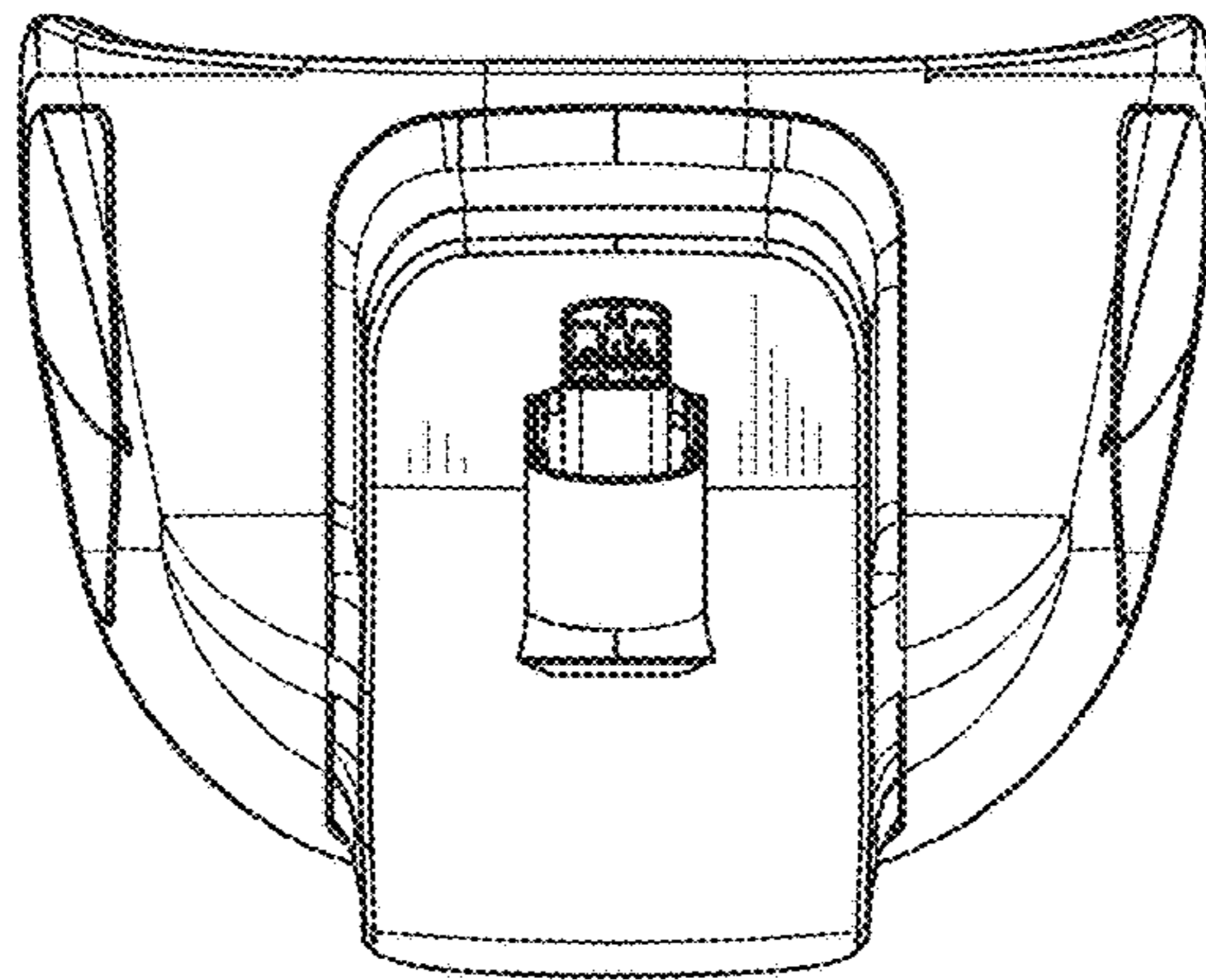
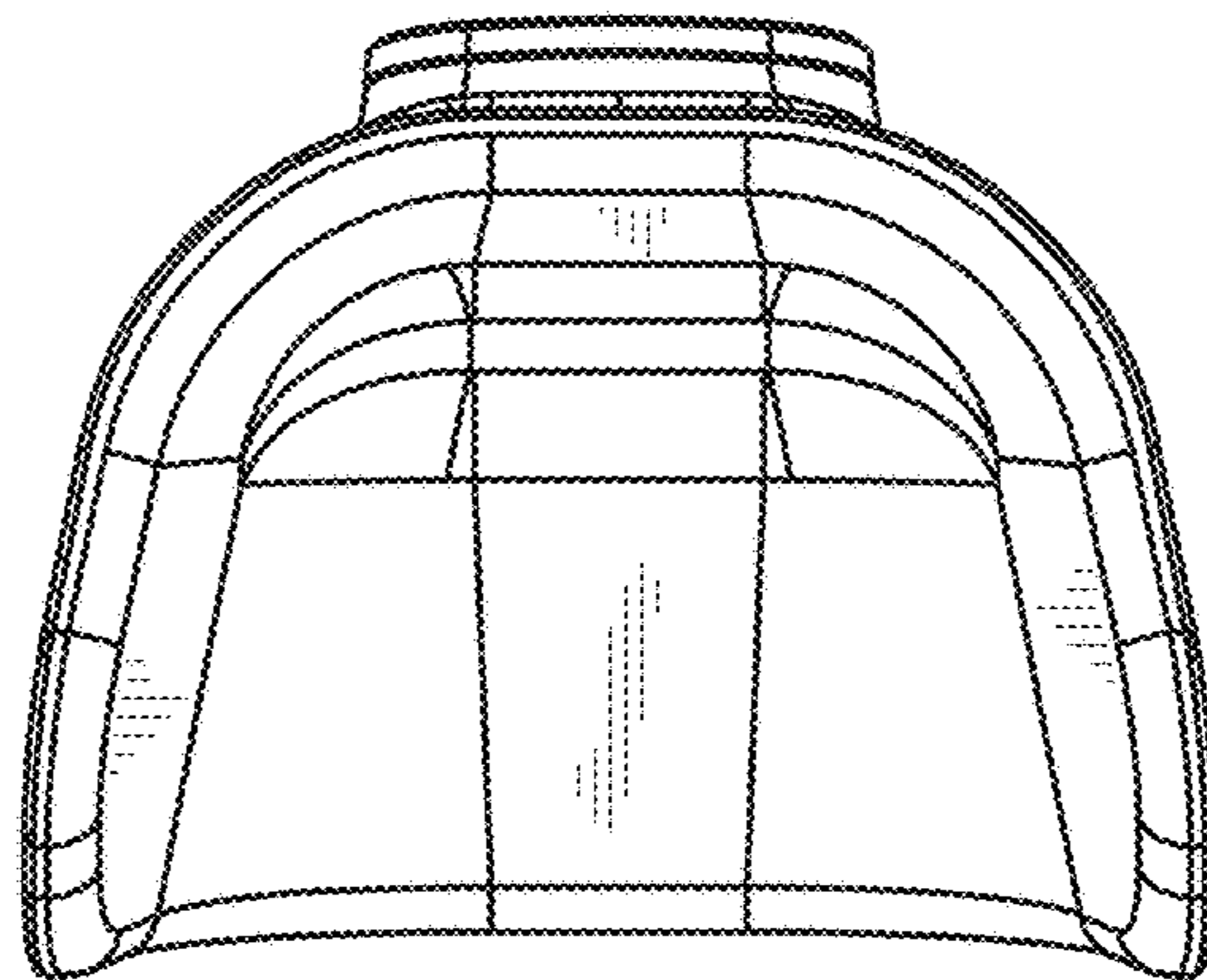


FIG. 6



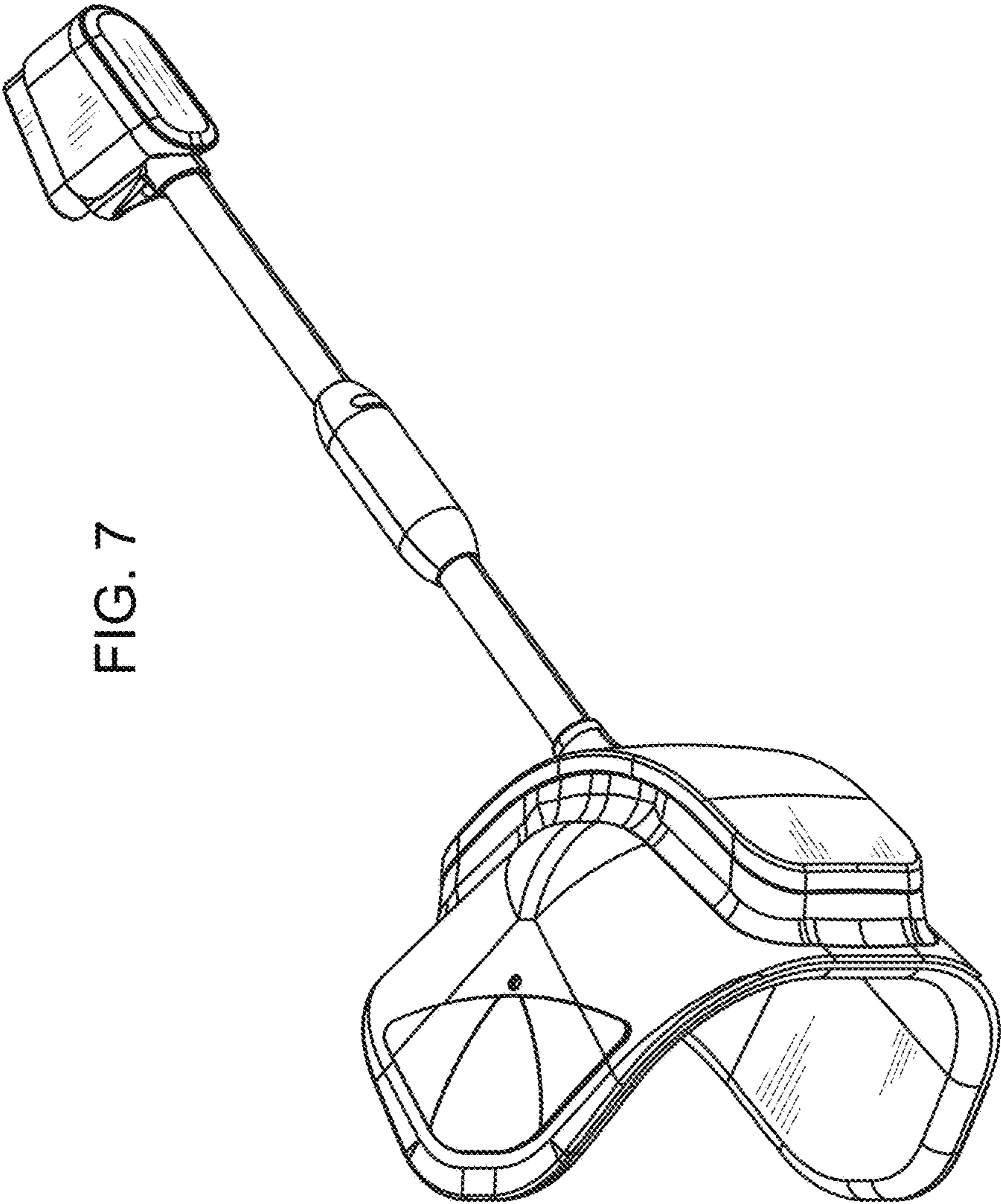


FIG. 7

FIG. 8

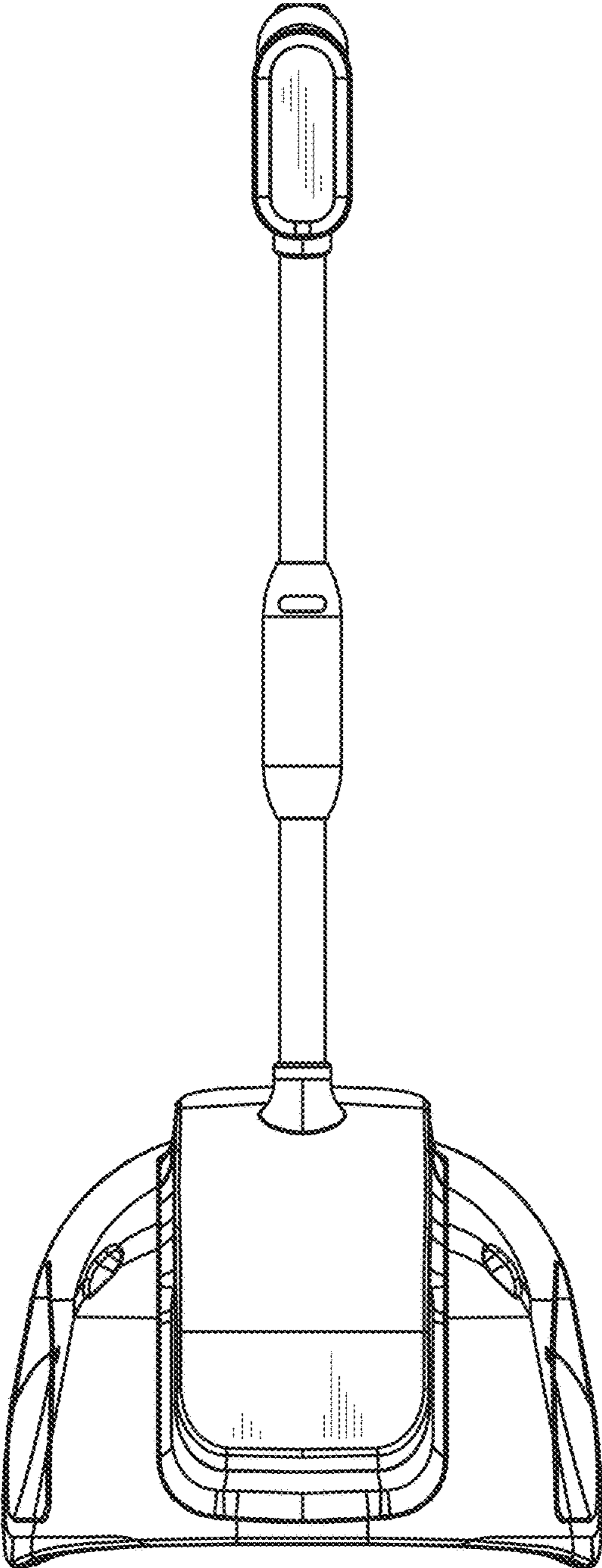


FIG. 9

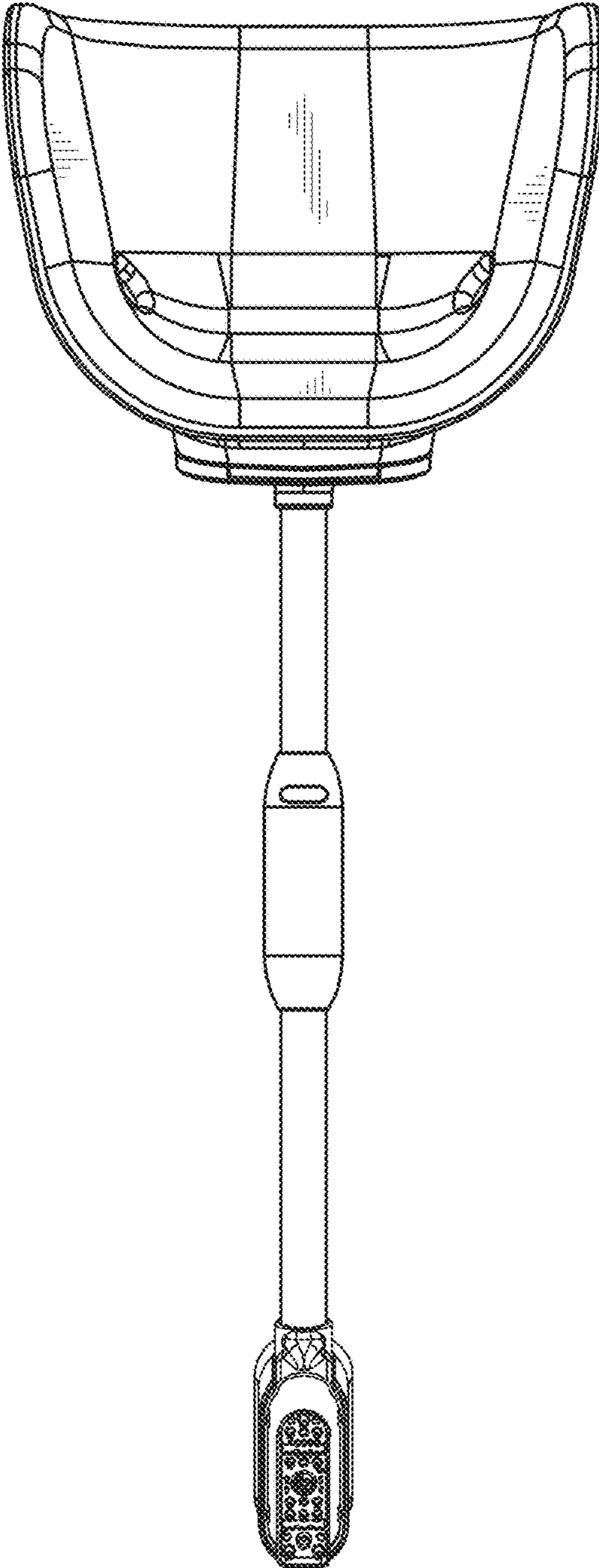


FIG. 10

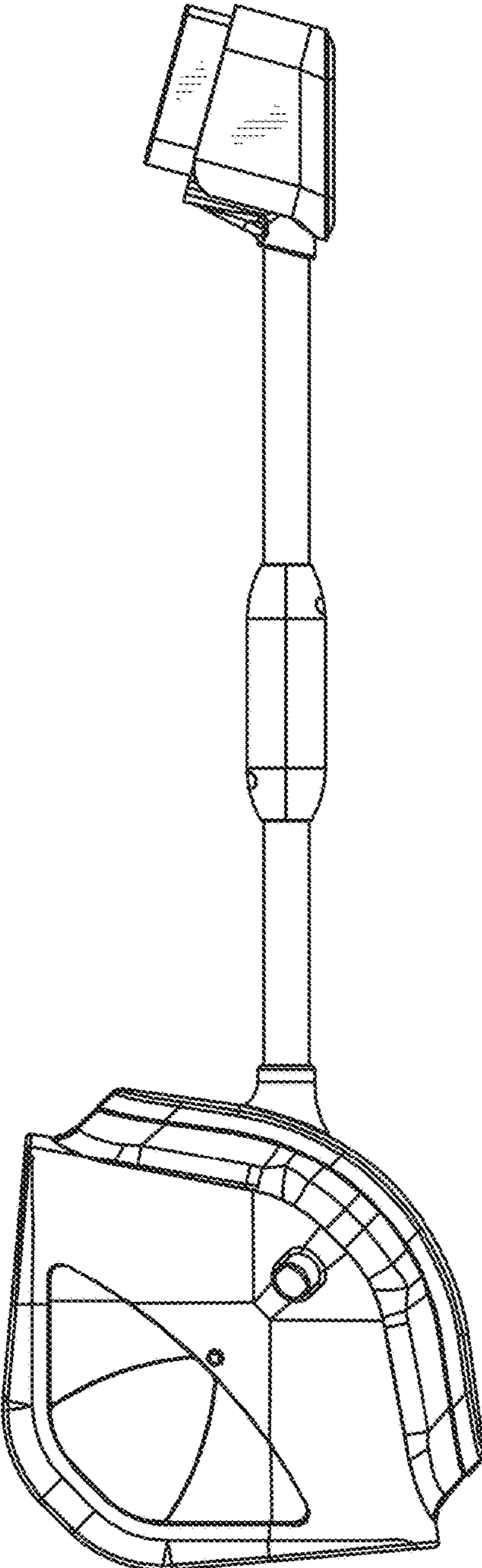


FIG. 11

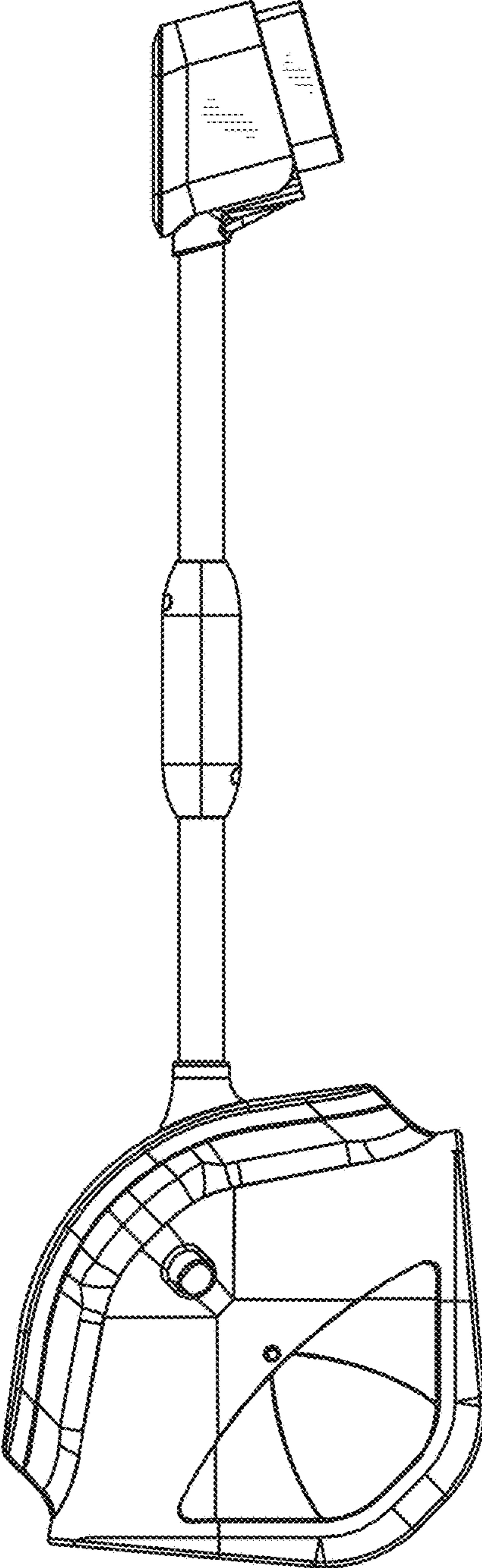


FIG. 12

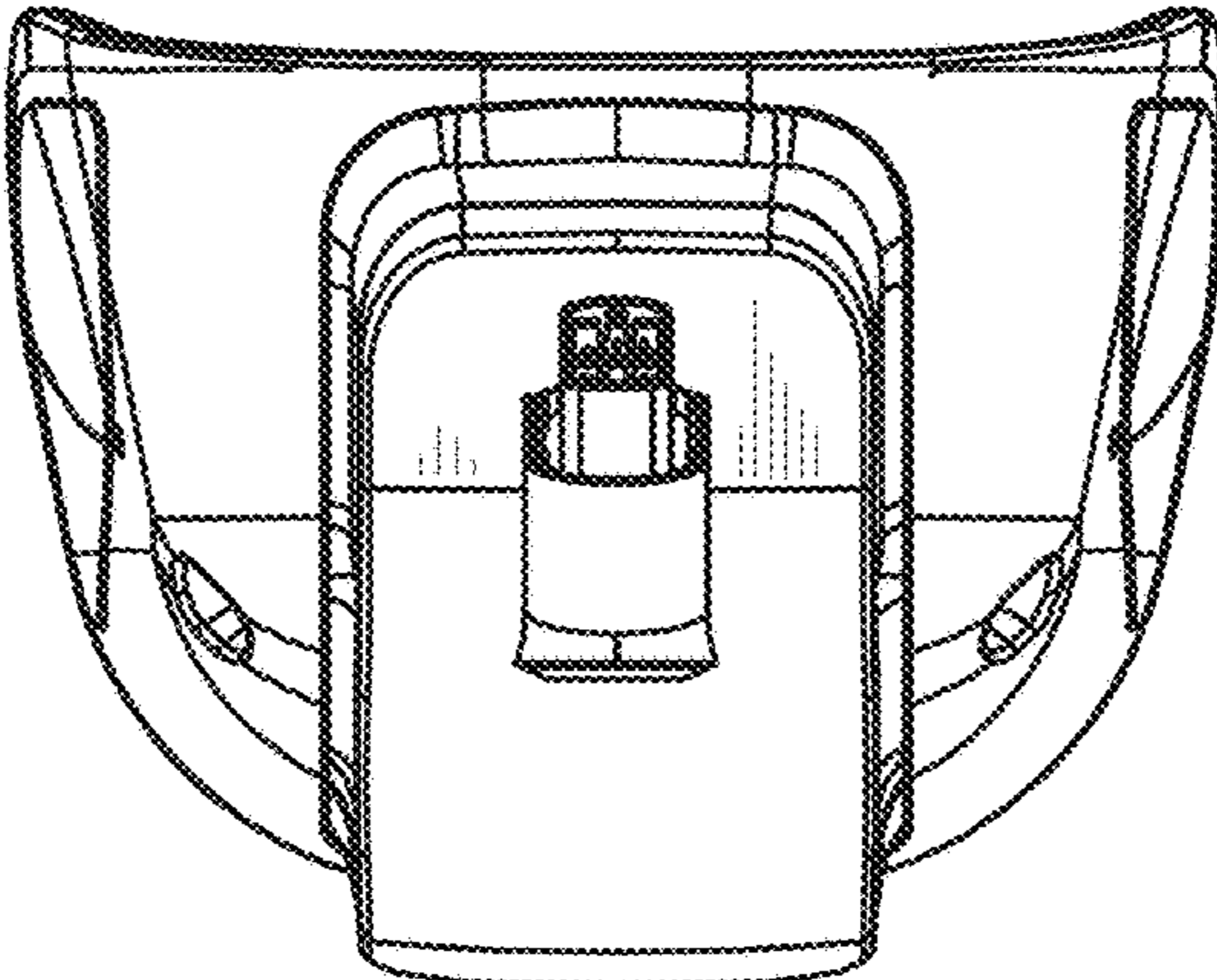
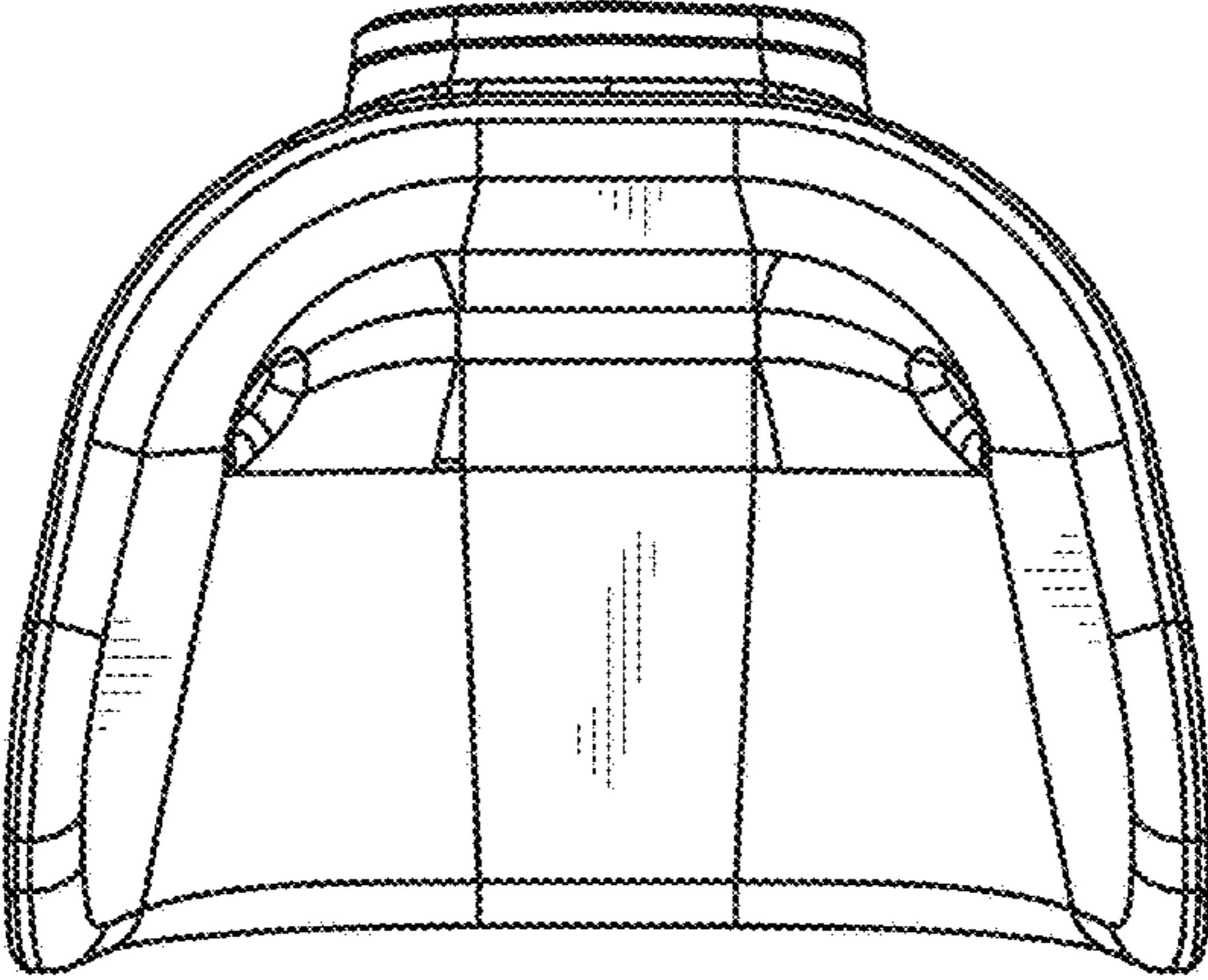


FIG. 13



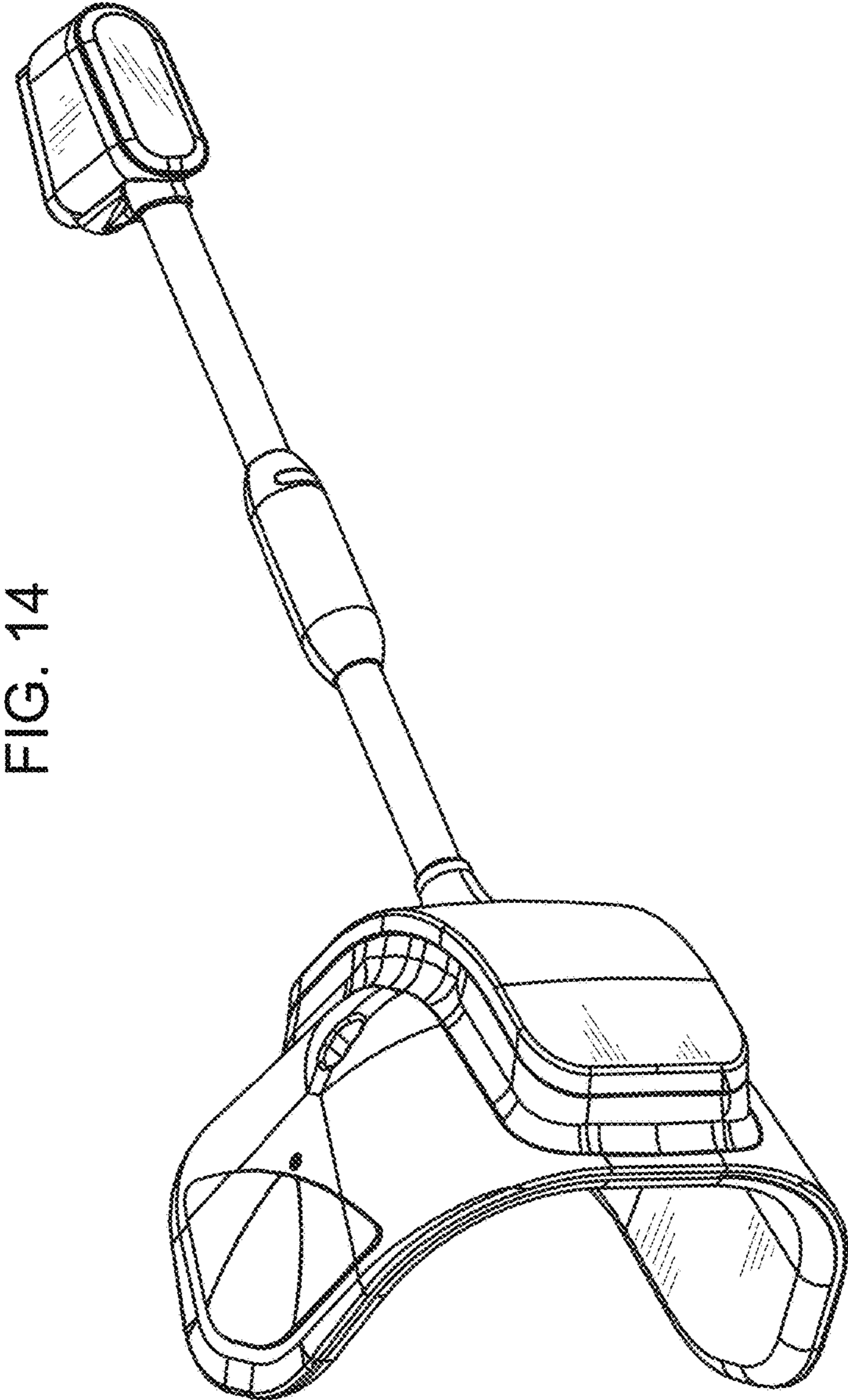


FIG. 14