



US00D862696S

(12) **United States Design Patent** (10) **Patent No.:** **US D862,696 S**  
**Elbaz et al.** (45) **Date of Patent:** **\*\* Oct. 8, 2019**

(54) **LARYNGOSCOPE BLADE**  
(71) Applicant: **TELEFLEX MEDICAL INCORPORATED**, Morrisville, NC (US)  
(72) Inventors: **Aviram Elbaz**, Apex, NC (US); **Vishal Temburni**, Morrisville, NC (US); **Alireza Sadritabrizi**, Raleigh, NC (US)

3,507,272 A 4/1970 Laerdal  
3,595,222 A 7/1971 Vellacott  
3,598,113 A 8/1971 Moore  
3,771,514 A 11/1973 Huffman et al.  
3,826,248 A 7/1974 Gobels  
3,856,001 A 12/1974 Phillips  
3,986,854 A 10/1976 Scrivo et al.  
4,112,933 A 9/1978 Moses  
4,126,127 A 11/1978 May

(Continued)

(73) Assignee: **TELEFLEX MEDICAL INCORPORATED**, Morrisville, NC (US)

**FOREIGN PATENT DOCUMENTS**

GB 2385793 9/2003  
WO 83/01373 4/1983

(Continued)

(\*\*) Term: **15 Years**

(21) Appl. No.: **29/658,276**

**OTHER PUBLICATIONS**

(22) Filed: **Jul. 30, 2018**

Flexicare BitePro Solo product webpage (<https://www.flexicare.com/products/airway-management/single-use-laryngoscopes/britepro-solo>).

(51) **LOC (12) Cl.** ..... **24-02**

(52) **U.S. Cl.**  
USPC ..... **D24/146**

(58) **Field of Classification Search**  
USPC ..... D24/133, 135, 137, 138, 146, 147, 150, D24/151; D8/14.1, 29.1, 34, 40, 92, 93, D8/95, 97, 98, 99; 600/185-200; 606/191-200; D7/649; D19/110, 115  
CPC ..... A61M 16/0488; A61M 16/04; A61M 15/0003; A61B 1/267; A61B 1/00032; A61B 1/00066; A61B 1/0008; A61B 1/00103; A61B 1/00105; A61B 1/06; A61B 1/00137; H01M 2/1055  
See application file for complete search history.

*Primary Examiner* — Cathron C Brooks

*Assistant Examiner* — Samantha Q Lawrence

(74) *Attorney, Agent, or Firm* — Baker & Hostetler LLP

(57) **CLAIM**

The ornamental design for a laryngoscope blade, as shown and described.

**DESCRIPTION**

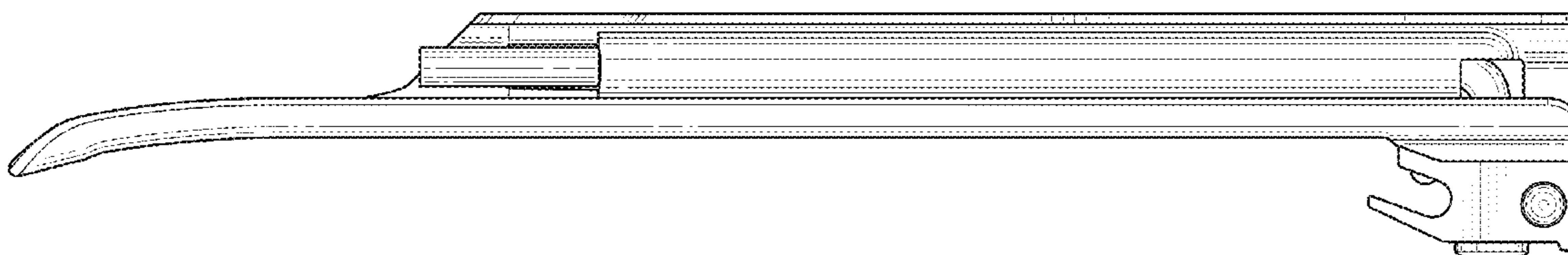
FIG. 1 is a right side view of a laryngoscope blade.  
FIG. 2 is a left side view of the laryngoscope blade.  
FIG. 3 is a front view of the laryngoscope blade.  
FIG. 4 is a rear view of the laryngoscope blade.  
FIG. 5 is a top plan view of the laryngoscope blade.  
FIG. 6 is a bottom plan view of the laryngoscope blade.  
FIG. 7 is a rear perspective view of the laryngoscope blade; and,  
FIG. 8 is a front perspective view of the laryngoscope blade.

(56) **References Cited**

**U.S. PATENT DOCUMENTS**

2,289,226 A 7/1942 Von Foregger  
2,433,705 A 12/1947 Palmeter  
2,630,114 A 3/1953 Hart  
2,646,036 A 7/1953 Allyn  
2,854,004 A 9/1958 Durrant  
2,911,968 A 11/1959 Schueler

**1 Claim, 5 Drawing Sheets**



(56)

References Cited

U.S. PATENT DOCUMENTS

4,295,465 A 10/1981 Racz et al.  
 4,337,761 A 7/1982 Upsher  
 4,360,008 A 11/1982 Corazzelli, Jr.  
 4,556,052 A 12/1985 Muller  
 4,557,256 A 12/1985 Bauman  
 4,565,187 A 1/1986 Soloway  
 4,669,449 A 6/1987 Bauman  
 4,884,558 A 12/1989 Gorski et al.  
 4,924,855 A 5/1990 Salerno et al.  
 4,958,624 A 9/1990 Stone et al.  
 5,036,835 A 8/1991 Filli  
 5,060,633 A 10/1991 Gibson  
 5,355,870 A 10/1994 Lacy  
 5,443,058 A 8/1995 Ough  
 5,529,570 A 6/1996 Storz  
 5,575,758 A 11/1996 Easterbrook, III  
 5,651,760 A 7/1997 Upsher  
 5,702,351 A 12/1997 Bar-Or et al.  
 5,873,818 A 2/1999 Rothfels  
 5,879,304 A 3/1999 Shuchman et al.  
 5,984,863 A 11/1999 Ansari  
 6,013,026 A 1/2000 Krauter et al.  
 6,102,851 A 8/2000 Mellin  
 6,123,666 A 9/2000 Wrenn et al.  
 6,213,937 B1 4/2001 Vivenzio  
 6,248,061 B1 6/2001 Cook, Jr.  
 6,354,993 B1 3/2002 Kaplan et al.  
 6,471,643 B1 10/2002 Henderson  
 6,626,829 B1 9/2003 Skaggs  
 6,666,819 B2 12/2003 Heine et al.  
 6,719,688 B2 4/2004 Pecherer et al.  
 6,890,298 B2 5/2005 Berci et al.  
 7,044,909 B2 5/2006 Berci et al.  
 7,128,710 B1 10/2006 Cranton et al.  
 D544,601 S 6/2007 Iqbal  
 D554,255 S 10/2007 Iqbal  
 D559,982 S 1/2008 Iqbal  
 D562,452 S 2/2008 Iqbal  
 D581,532 S \* 11/2008 Cranton ..... D24/137  
 7,611,459 B2 11/2009 Geist et al.  
 D609,808 S \* 2/2010 Tenger ..... D24/137  
 7,824,331 B1 11/2010 Cranton et al.  
 D628,693 S 12/2010 Thuenker  
 D629,516 S 12/2010 Firmin  
 D629,517 S 12/2010 Jauch et al.  
 D630,735 S 1/2011 Behrbohm  
 D630,744 S \* 1/2011 Tenger ..... D24/137  
 D631,156 S 1/2011 Haider et al.  
 D631,158 S 1/2011 Doerges  
 D632,783 S 2/2011 Maesarapu  
 7,878,973 B2 2/2011 Yee et al.  
 7,909,758 B2 3/2011 Shapiro  
 D643,921 S 8/2011 Davila  
 D645,146 S 9/2011 Lee  
 D659,246 S \* 5/2012 McGrath ..... D24/137

8,267,856 B2 9/2012 Anders  
 D669,680 S \* 10/2012 Goldstein ..... D24/136  
 8,414,481 B2 4/2013 Hakanen et al.  
 8,702,598 B2 4/2014 Geist et al.  
 8,715,171 B2 5/2014 Pastron  
 8,979,745 B2 3/2015 Swift  
 8,998,804 B2 4/2015 Boedeker  
 9,078,614 B2 7/2015 Bird  
 D738,501 S \* 9/2015 Renner ..... D24/146  
 D739,017 S \* 9/2015 Renner ..... D24/146  
 D745,669 S 12/2015 Swift  
 D746,451 S \* 12/2015 Chen ..... D24/137  
 9,198,567 B1 12/2015 Dube  
 D748,255 S \* 1/2016 McGrath ..... D24/137  
 9,314,151 B2 4/2016 McGrath et al.  
 9,357,904 B2 6/2016 Wu  
 9,414,743 B2 8/2016 McGrath  
 9,510,745 B2 12/2016 Geist et al.  
 9,622,651 B2 4/2017 Miller et al.  
 9,662,001 B2 5/2017 McGrath et al.  
 D791,943 S \* 7/2017 Cook ..... D24/135  
 9,737,202 B2 8/2017 McGrath  
 2001/0014768 A1 8/2001 Kaplan et al.  
 2004/0122292 A1 6/2004 Dey et al.  
 2005/0240081 A1 10/2005 Eliachar  
 2006/0079734 A1 4/2006 Miyagi  
 2007/0129607 A1 6/2007 Ashfaque  
 2007/0161863 A1 7/2007 Bentt  
 2007/0167686 A1 7/2007 McGrath  
 2007/0179342 A1 8/2007 Miller et al.  
 2007/0197873 A1 8/2007 Birnkrant  
 2008/0045801 A1 2/2008 Shalman et al.  
 2008/0188717 A1 8/2008 Chen et al.  
 2008/0300464 A1 12/2008 Dhingra et al.  
 2009/0099421 A1 4/2009 Shalman et al.  
 2009/0187078 A1 7/2009 Dunlop  
 2010/0198017 A1 8/2010 Raspallo  
 2010/0217085 A1 8/2010 Williams et al.  
 2011/0077466 A1 3/2011 Rosenthal  
 2014/0202459 A1 7/2014 Iqbal  
 2014/0371536 A1 12/2014 Miller et al.  
 2016/0000305 A1 1/2016 Elbaz et al.  
 2016/0317005 A1 11/2016 Dunlop  
 2016/0317008 A1 11/2016 McGrath et al.  
 2017/0020384 A1 1/2017 Fitzgerald et al.  
 2017/0079518 A1 \* 3/2017 Elbaz ..... A61B 1/0008  
 2017/0150878 A1 6/2017 Swift  
 2017/0202447 A1 7/2017 Pecherer

FOREIGN PATENT DOCUMENTS

WO 88/00021 1/1988  
 WO 99/44490 9/1999  
 WO 2005/082231 9/2005  
 WO 2005/107575 11/2005  
 WO 2009/066078 5/2009  
 WO 2016/092134 6/2016

\* cited by examiner

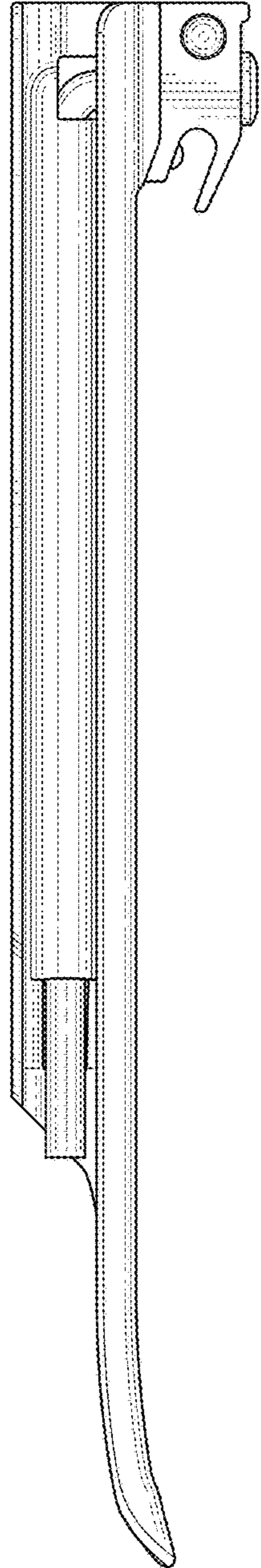


FIG. 1

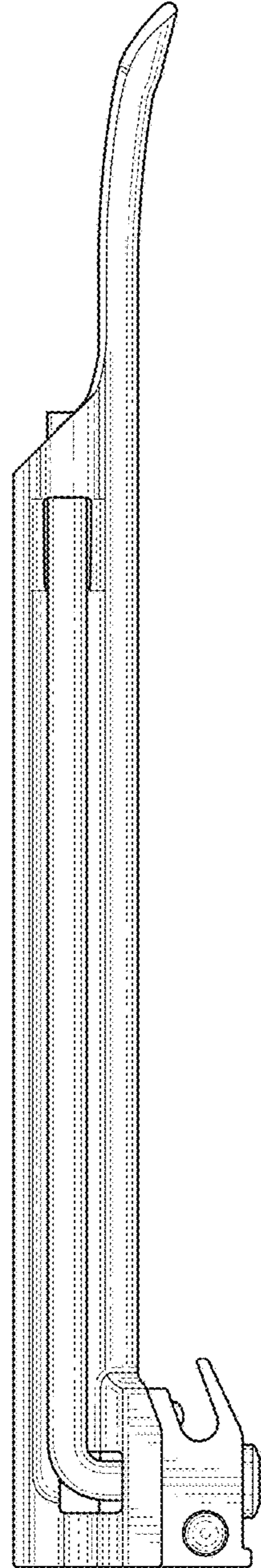


FIG. 2

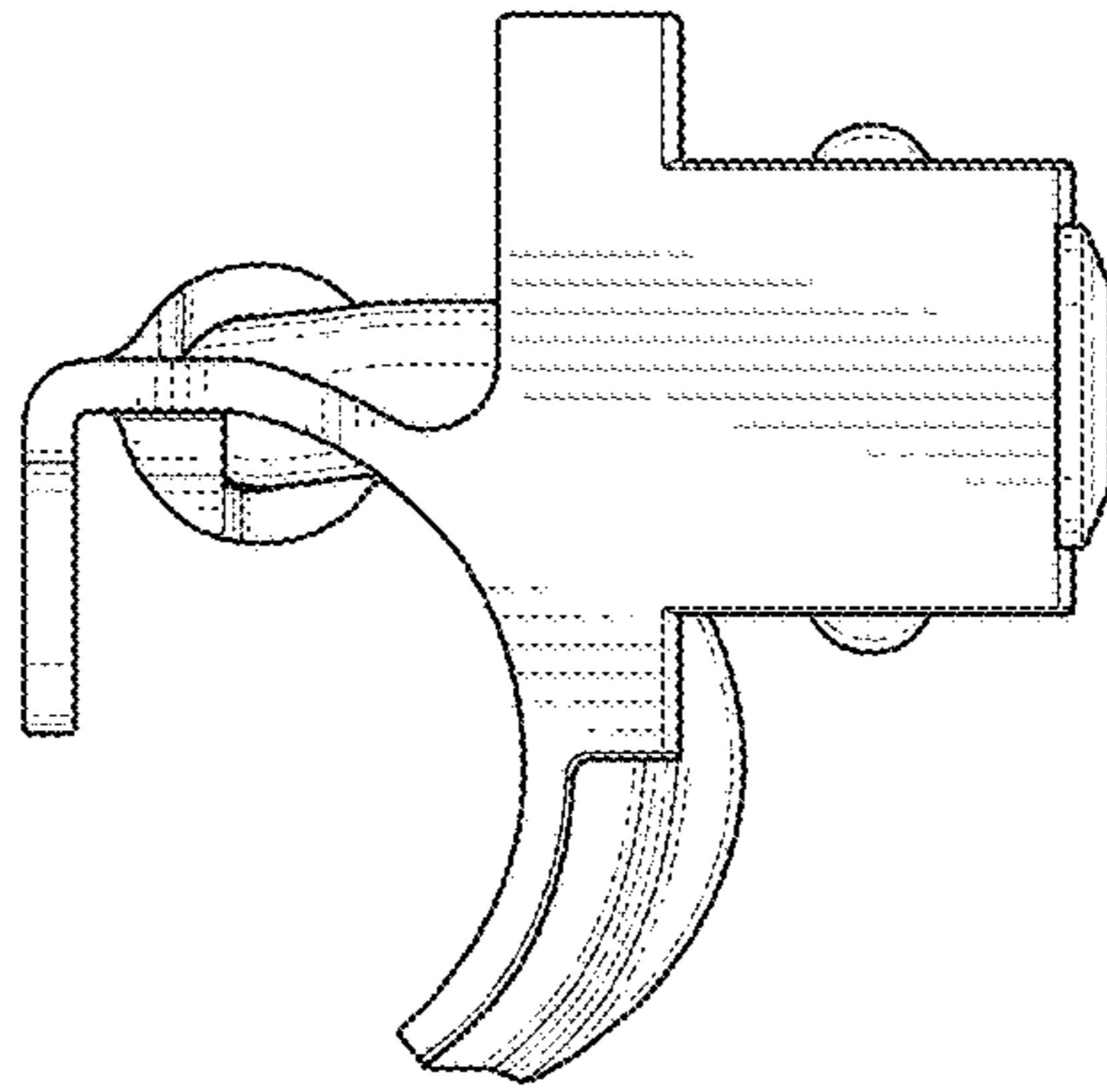


FIG. 4

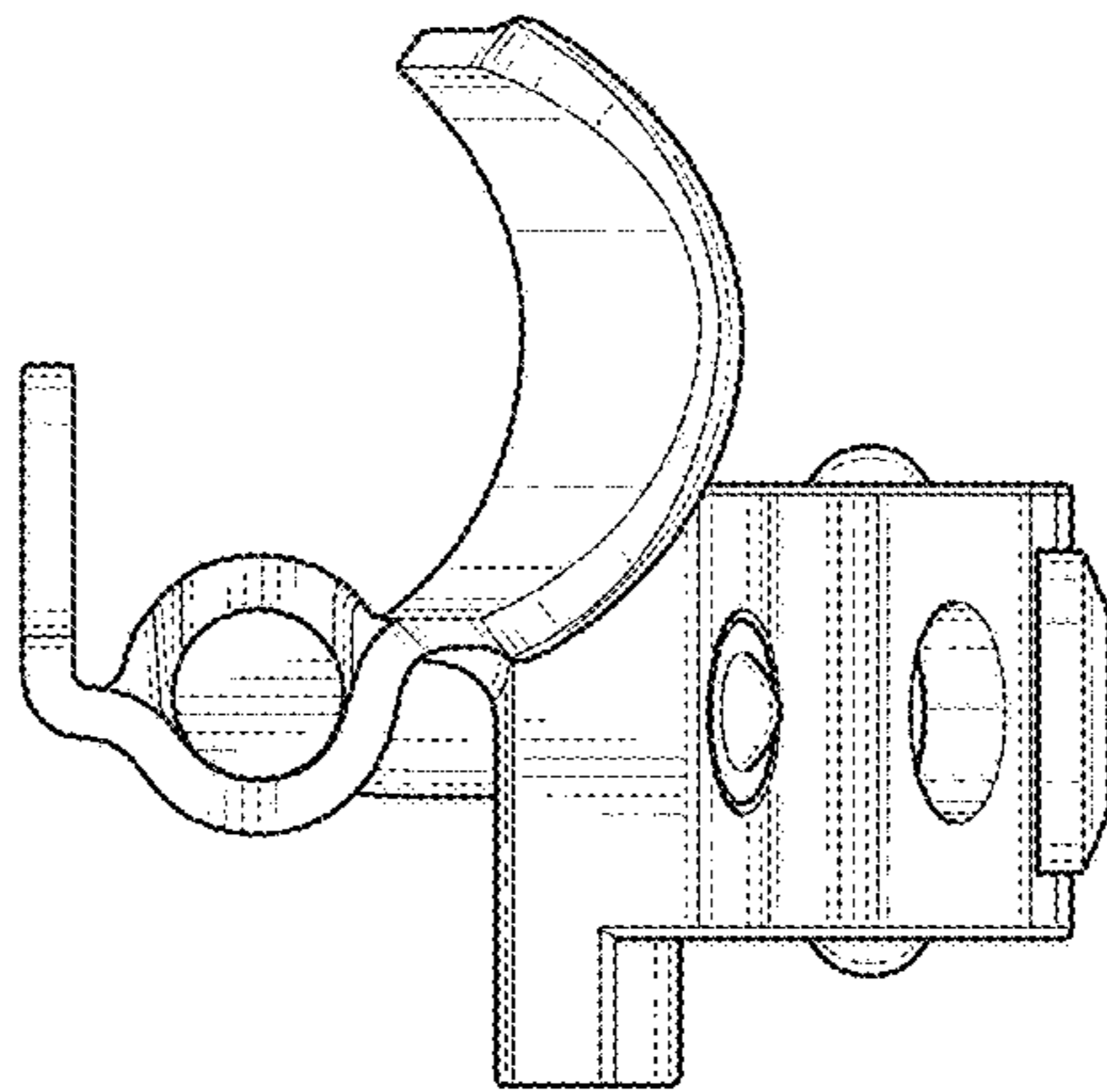


FIG. 3

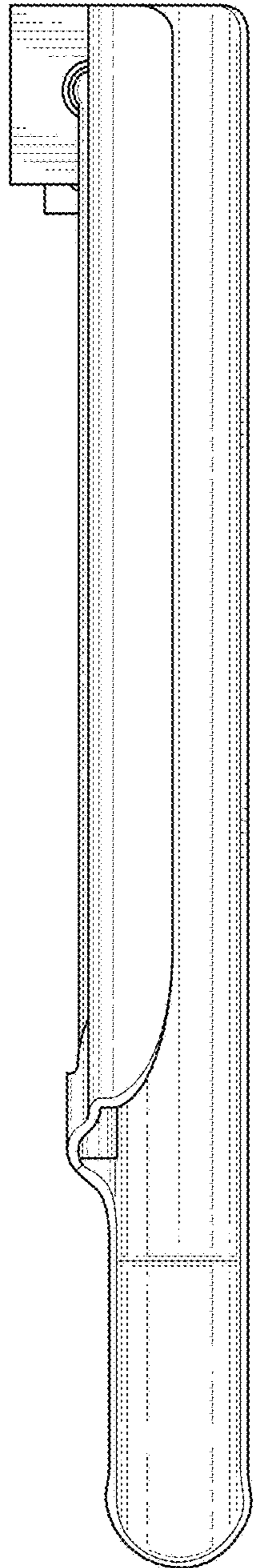


FIG. 5

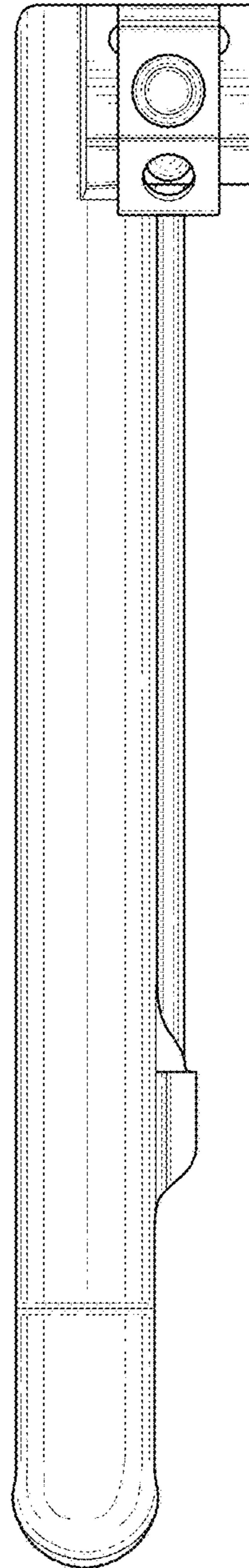


FIG. 6

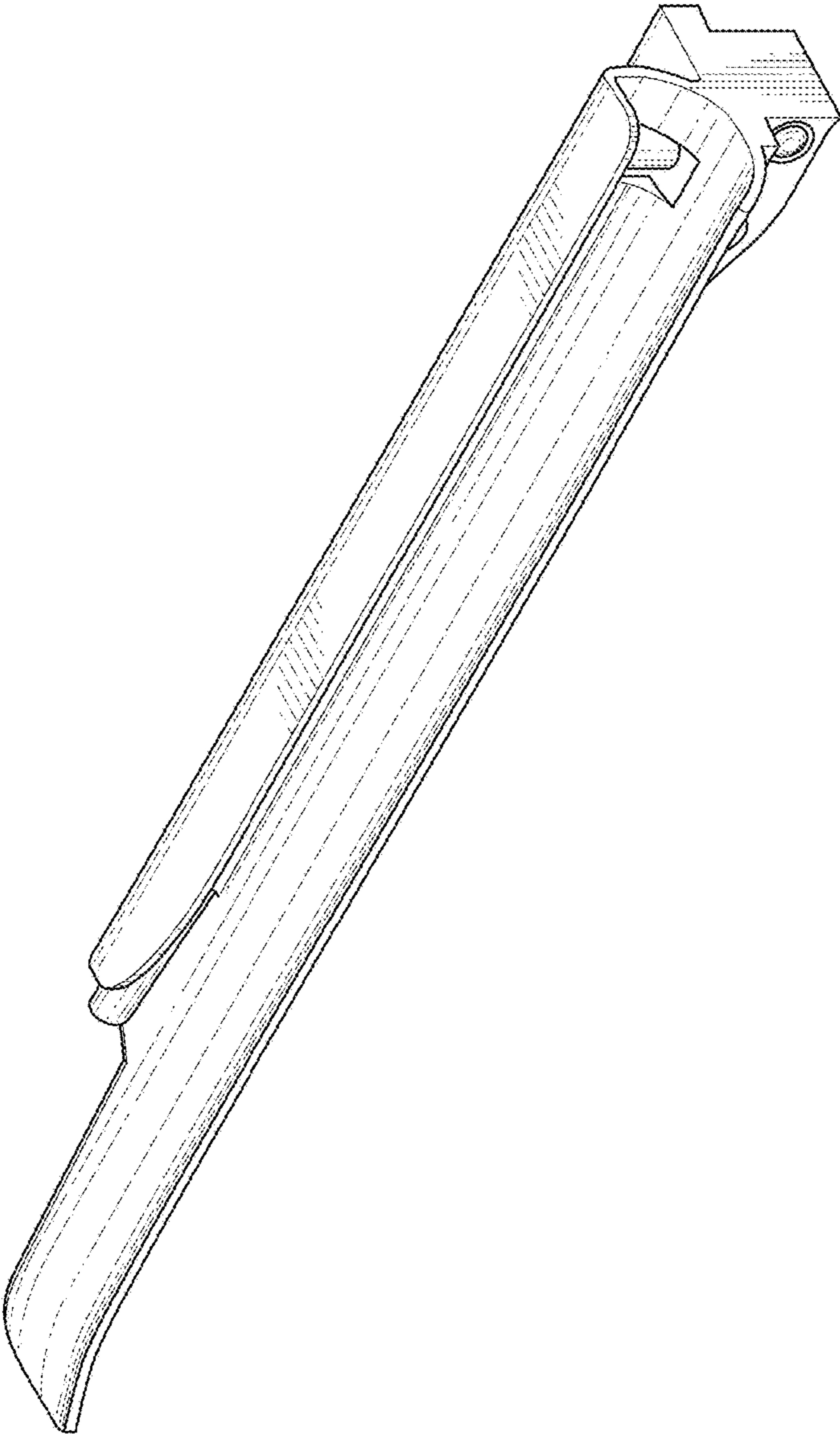


FIG. 7

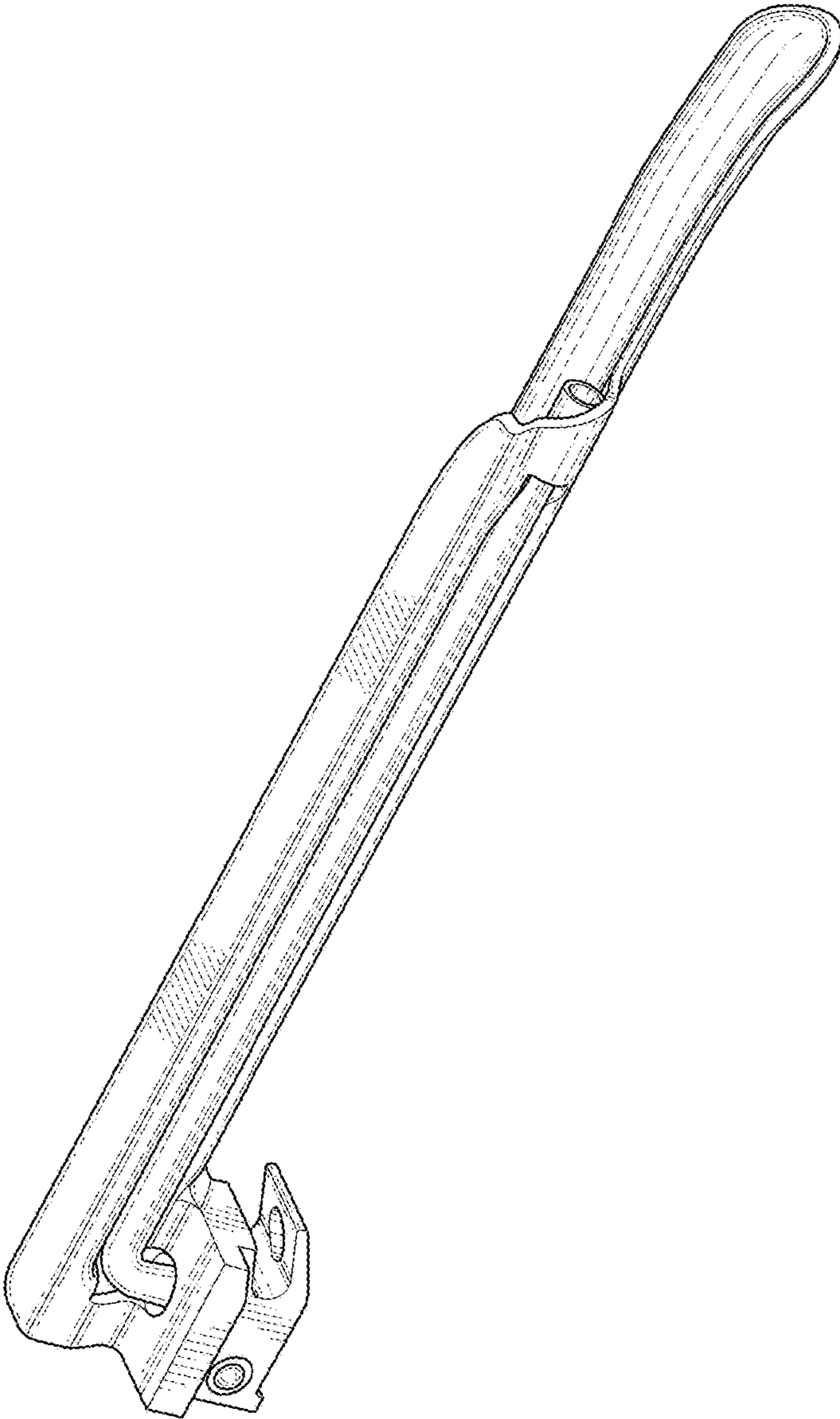


FIG. 8