



US00D862694S

(12) **United States Design Patent** (10) **Patent No.:** **US D862,694 S**
Narvekar et al. (45) **Date of Patent:** **** Oct. 8, 2019**

(54) **SYRINGE CAP FOR SEALING SYRINGE FOR MEDICAL PURPOSE**

6,196,998 B1 3/2001 Jansen et al.
D447,797 S 9/2001 Odell et al.
D447,799 S * 9/2001 Jun D24/130
6,520,935 B1 2/2003 Jansen et al.
D544,600 S 6/2007 Wentling
D557,414 S 12/2007 Wentling
7,367,964 B2 * 5/2008 Heinz A61M 5/347
604/243

(71) Applicants: **Anil Narayan Narvekar**, Salcete (IN);
Pratul Prakash Potar, Nani Daman (IN)

(72) Inventors: **Anil Narayan Narvekar**, Salcete (IN);
Pratul Prakash Potar, Nani Daman (IN)

(Continued)

FOREIGN PATENT DOCUMENTS

(73) Assignee: **Schott Kaisha Pvt. Ltd**, Mumbai (IN)

DE 102014111944 3/2016
EM 002911958-0001 12/2015

(**) Term: **15 Years**

OTHER PUBLICATIONS

(21) Appl. No.: **29/625,266**

Vetter Packing Solutions, brochure, pp. 1-12, 2015.

(22) Filed: **Nov. 8, 2017**

Primary Examiner — David G Muller

(51) **LOC (12) Cl.** **24-02**

(74) *Attorney, Agent, or Firm* — Tsircou Law, PC

(52) **U.S. Cl.**
USPC **D24/130**

(57) **CLAIM**

(58) **Field of Classification Search**

We claim the ornamental design for a syringe cap for sealing syringe for medical purpose, as shown and described.

USPC D24/127–131, 112–114, 133, 186;
606/181, 185; 604/264, 523–528, 272,
604/187, 158, 164.01–164.11, 181, 184,
604/227; 600/101, 139, 143;
128/200.24, 207.14, 207.15
CPC A61M 25/00; A61M 39/00; A61M 27/00;
A61M 25/0043; A61M 25/0067; A61M
25/0097; A61F 2/958

DESCRIPTION

See application file for complete search history.

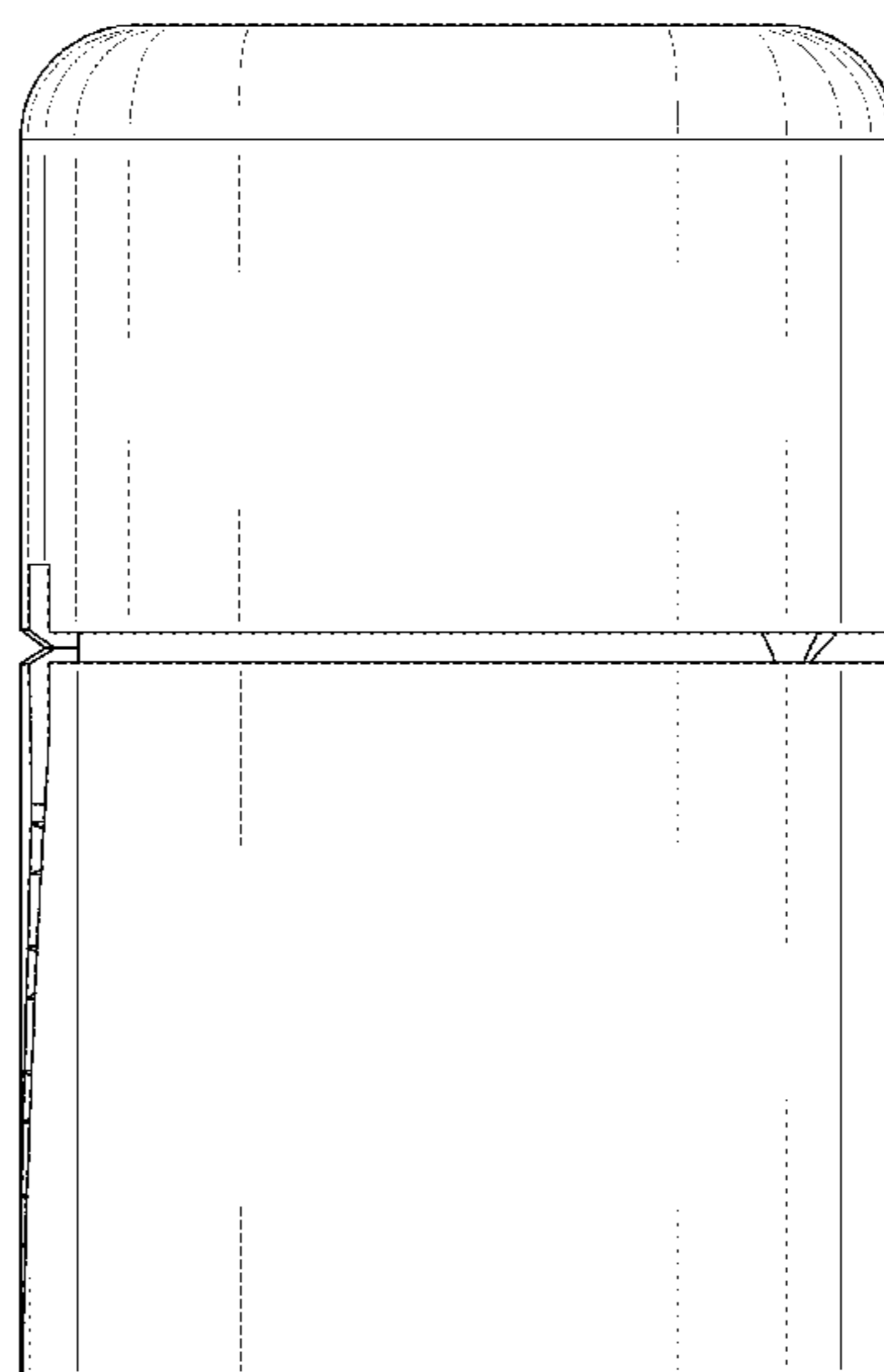
FIG. 1 a right side view of a syringe cap of the new design.
FIG. 2 is a rear view of the syringe cap of FIG. 1.
FIG. 3 is a left side view of the syringe cap of FIG. 1.
FIG. 4 is a front view of the syringe cap of FIG. 1.
FIG. 5 is a top view of the syringe cap of FIG. 1.
FIG. 6 is bottom view of the syringe cap of FIG. 1.
FIG. 7 is perspective top view of the syringe cap of FIG. 1.
FIG. 8 is a perspective bottom view of the syringe cap of FIG. 1; and,
FIG. 9 is a rear view of the syringe cap of FIG. 1, showing the cap mounted on a cartridge (shown in dashed lines). The dashed lines depict environmental aspects and form no part of the claimed design.

(56) **References Cited**

U.S. PATENT DOCUMENTS

5,344,404 A 9/1994 Benson
5,496,288 A 3/1996 Sweeney
D417,275 S * 11/1999 Conforti D24/130
D419,671 S 1/2000 Jansen
D431,864 S 10/2000 Jansen
6,190,364 B1 2/2001 Imbert

1 Claim, 9 Drawing Sheets



(56)

References Cited

U.S. PATENT DOCUMENTS

7,648,481 B2 1/2010 Geiger et al.
8,235,951 B2 8/2012 Hund et al.
D713,029 S * 9/2014 Shiraiishi D24/130
8,920,369 B2 * 12/2014 Salahieh A61B 1/00135
604/95.04
9,039,676 B2 * 5/2015 Klima A61M 25/0138
604/528
9,095,667 B2 * 8/2015 Von Schuckmann
A61M 5/5086
9,604,012 B2 * 3/2017 Horita A61M 5/344
D787,052 S * 5/2017 Heinz D24/130
D788,296 S * 5/2017 Ishida D24/130
D800,587 S * 10/2017 Cho D10/74
D802,760 S * 11/2017 Neby D24/130
D838,363 S * 1/2019 Katagiri D24/127
2010/0168678 A1 7/2010 Glocker
2012/0123334 A1 5/2012 Schraga
2013/0038603 A1 2/2013 Roedle et al.
2013/0237911 A1 9/2013 Von Schuckmann
2013/0338575 A1 12/2013 Glocker et al.
2013/0338603 A1 12/2013 Roedle et al.
2013/0338604 A1 12/2013 Roedle
2014/0158700 A1 6/2014 Glocker et al.
2015/0238703 A1 8/2015 Glocker
2015/0246184 A1 9/2015 Hund et al.
2015/0343155 A1 12/2015 Zenker et al.
2016/0022925 A1 1/2016 Zenker

* cited by examiner

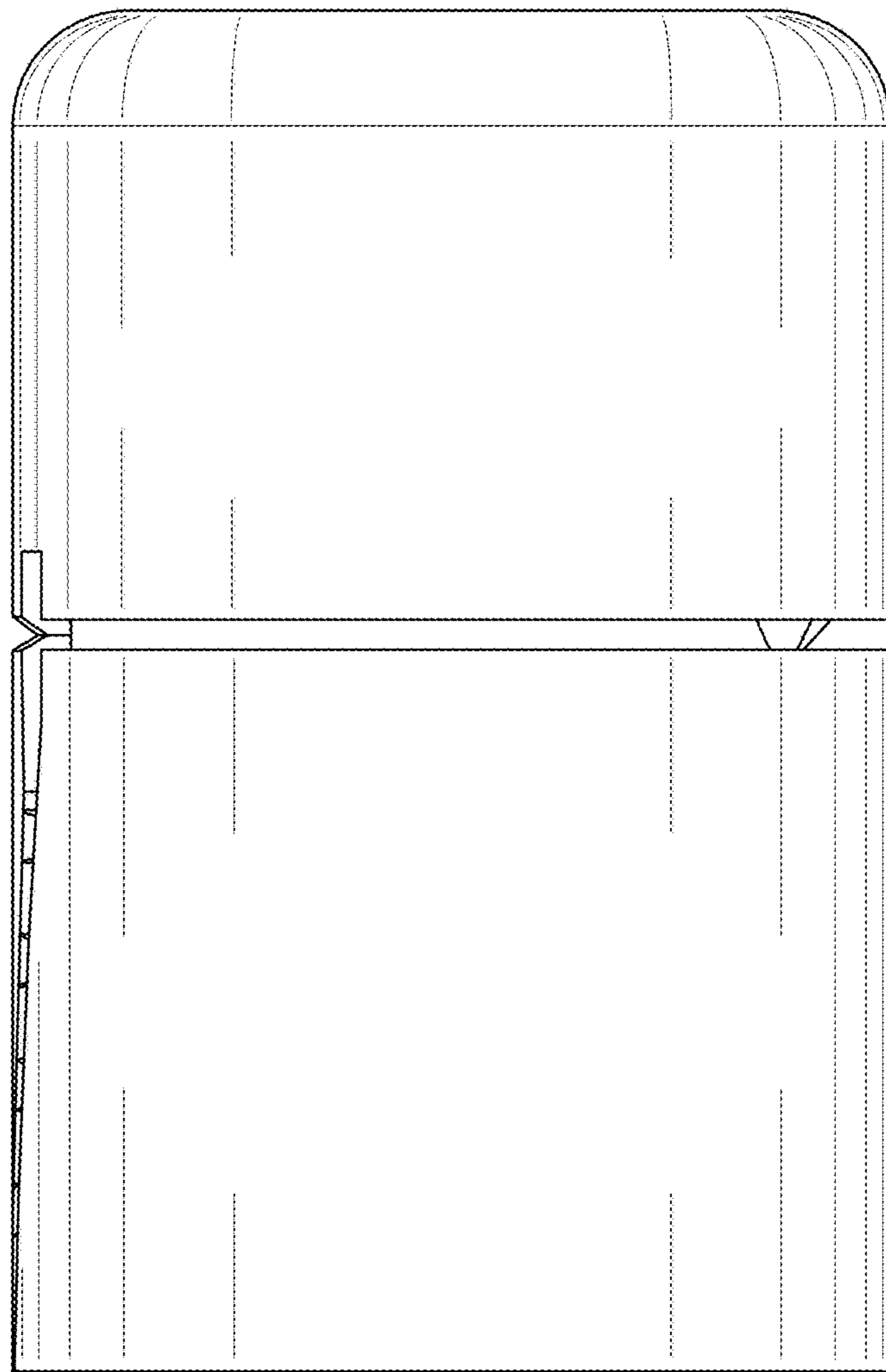


FIG. 1

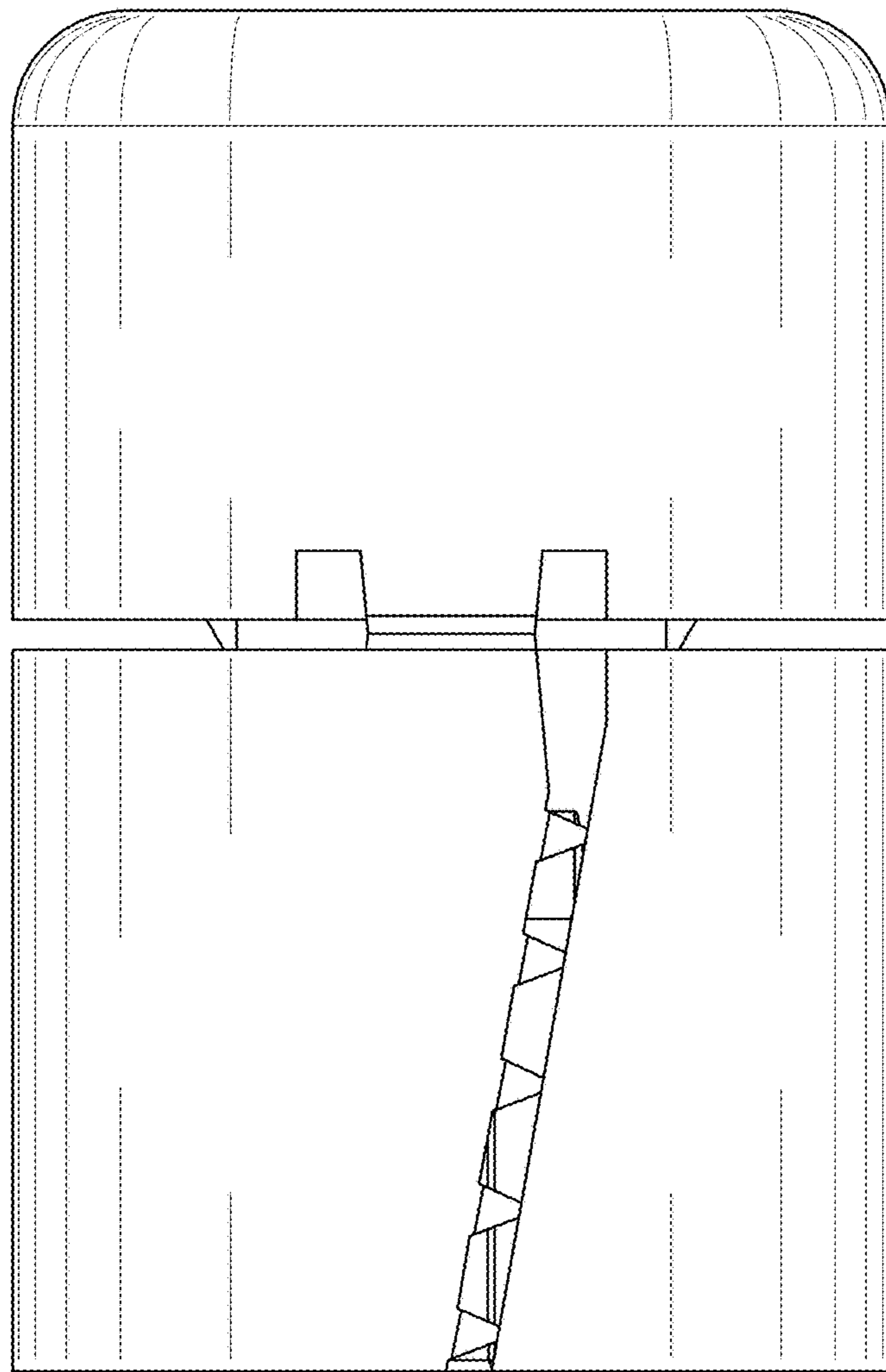


FIG. 2

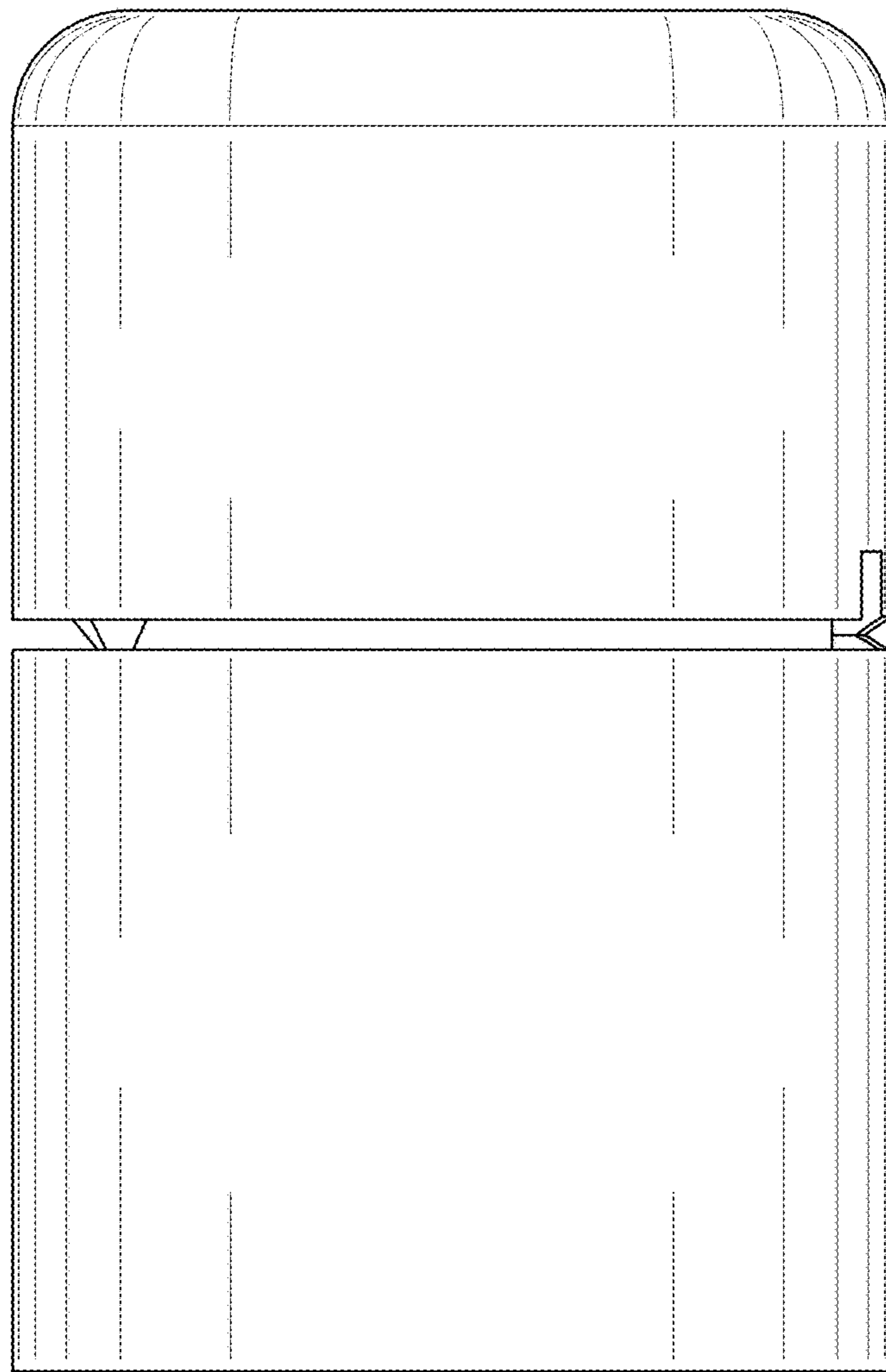


FIG. 3

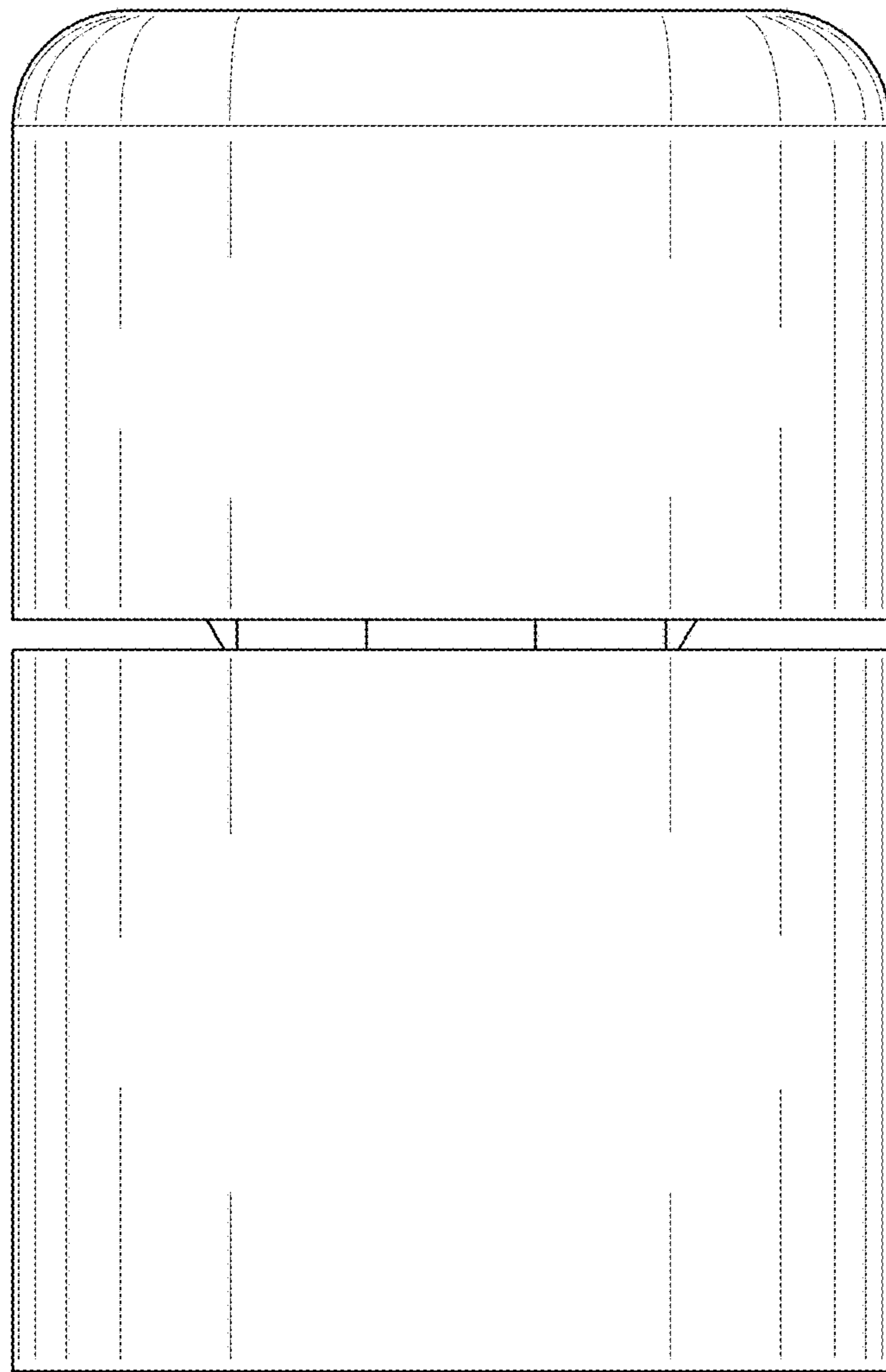


FIG. 4

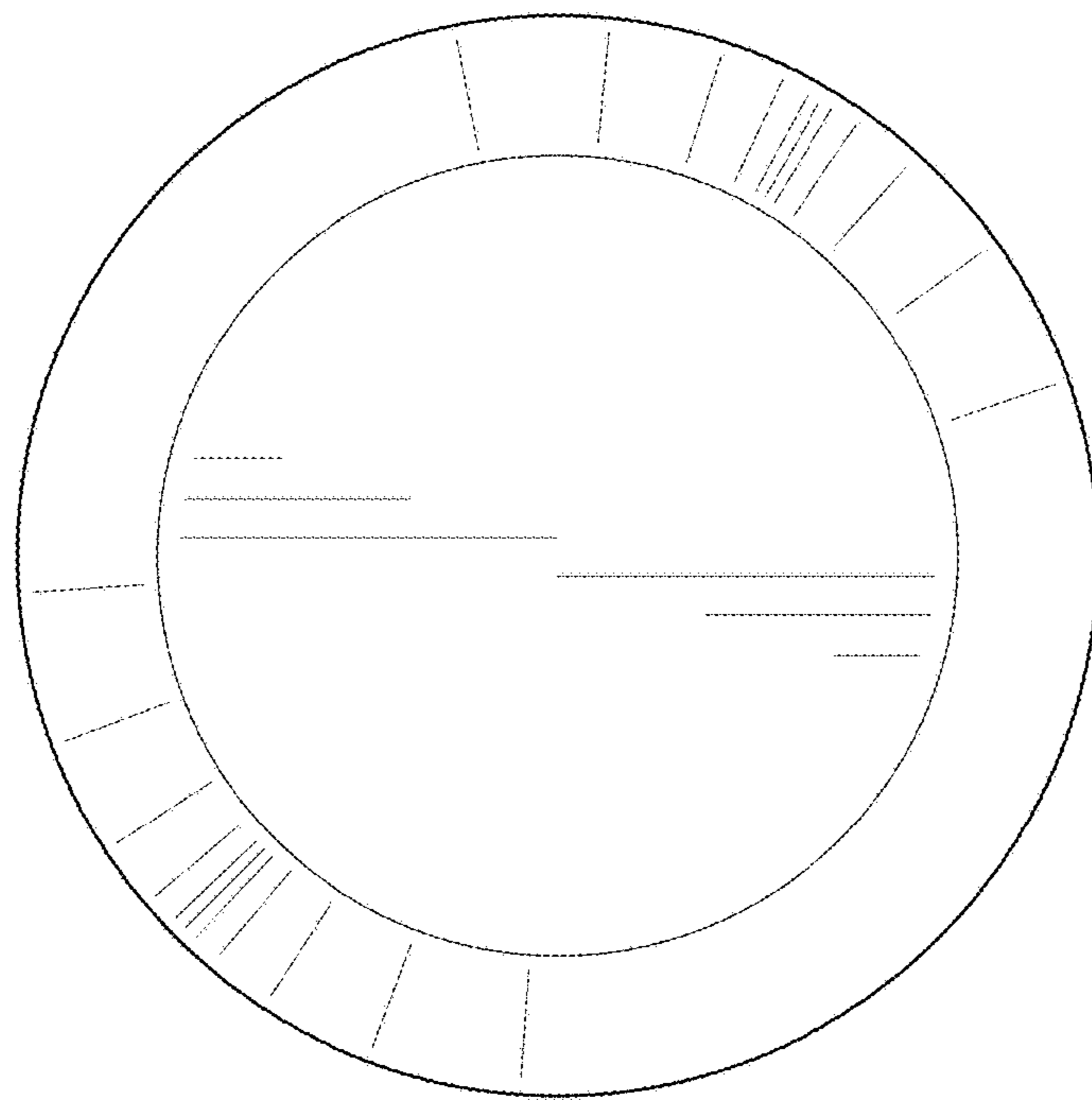


FIG. 5

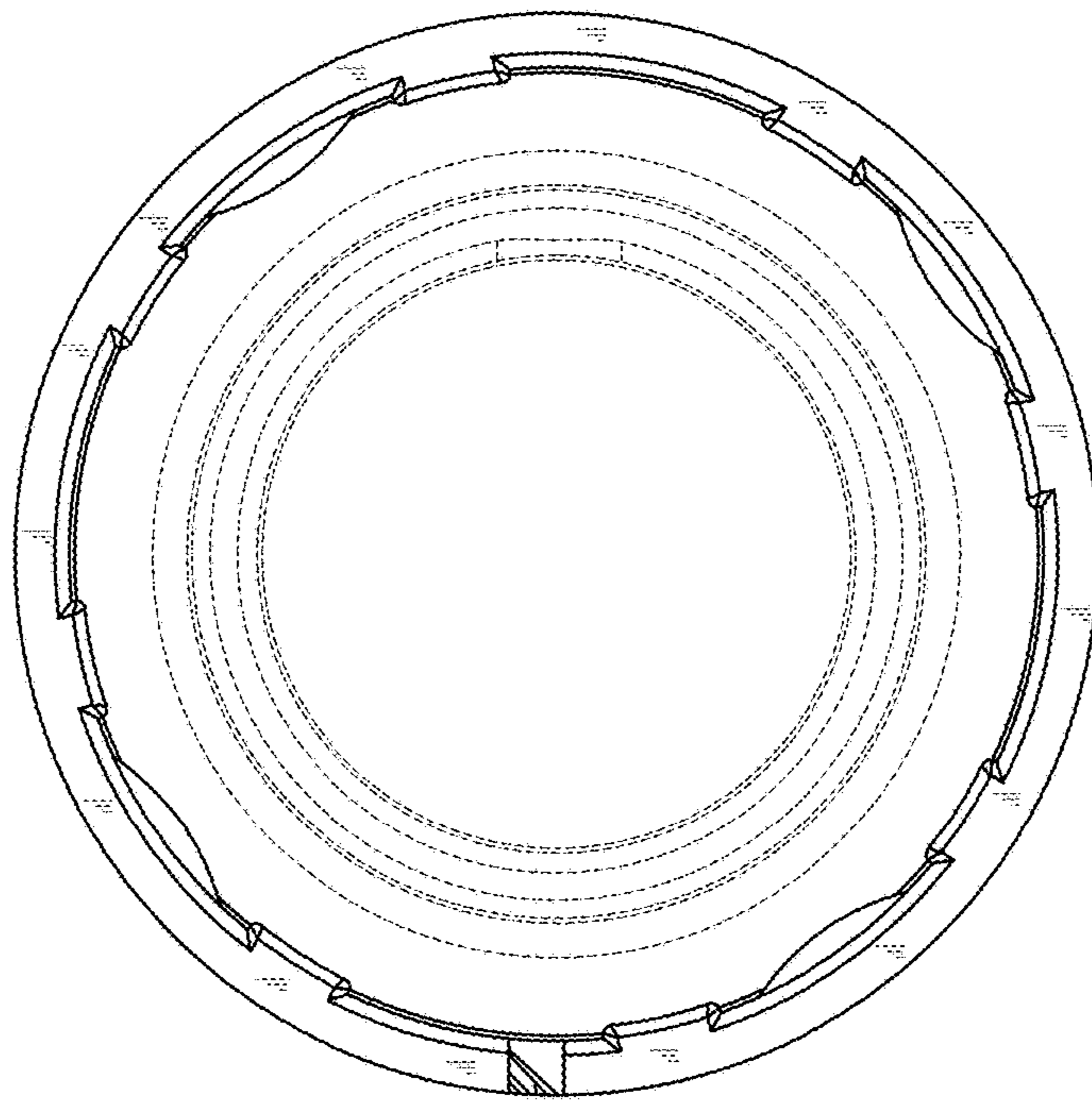


FIG. 6

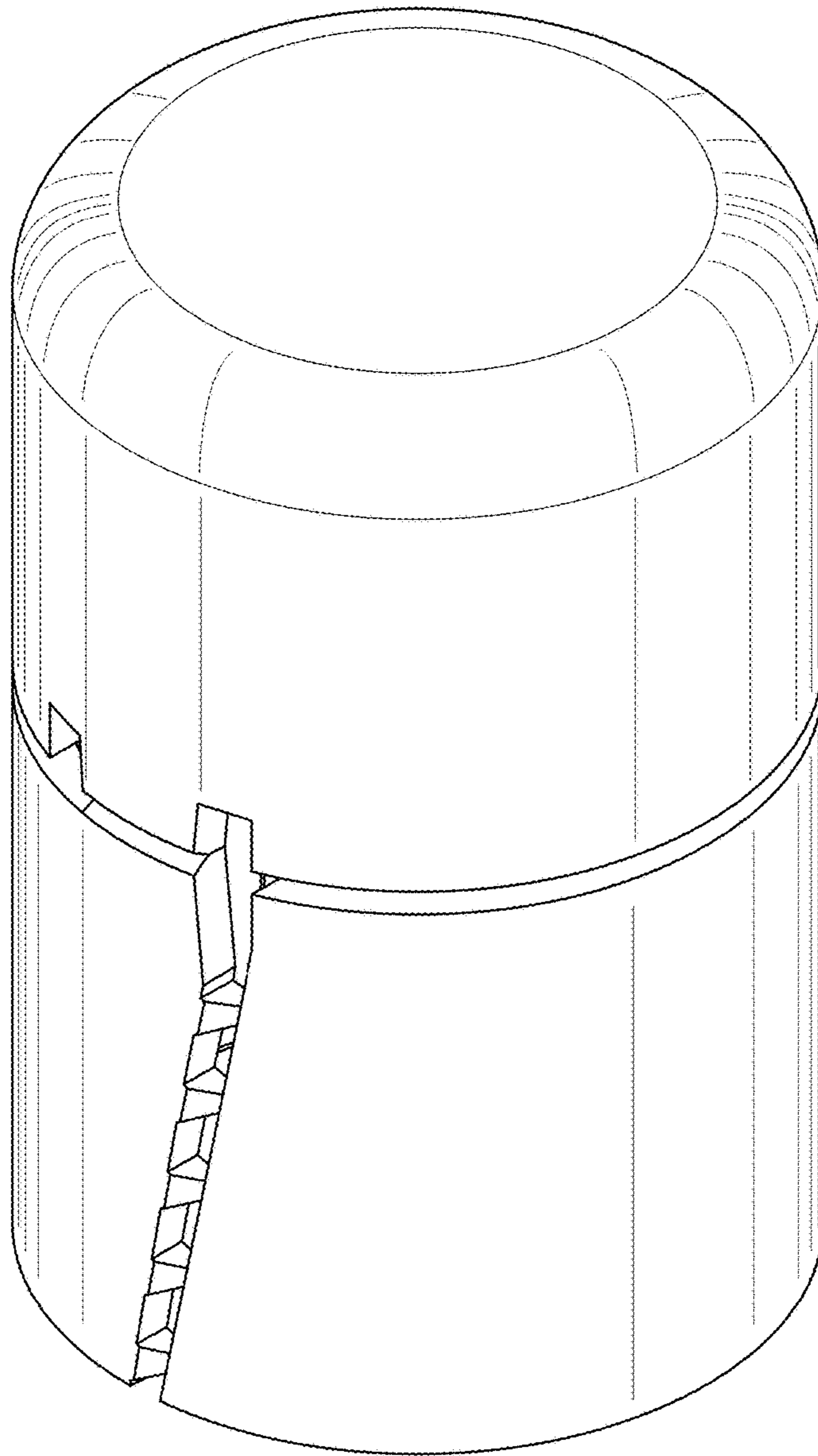


FIG. 7

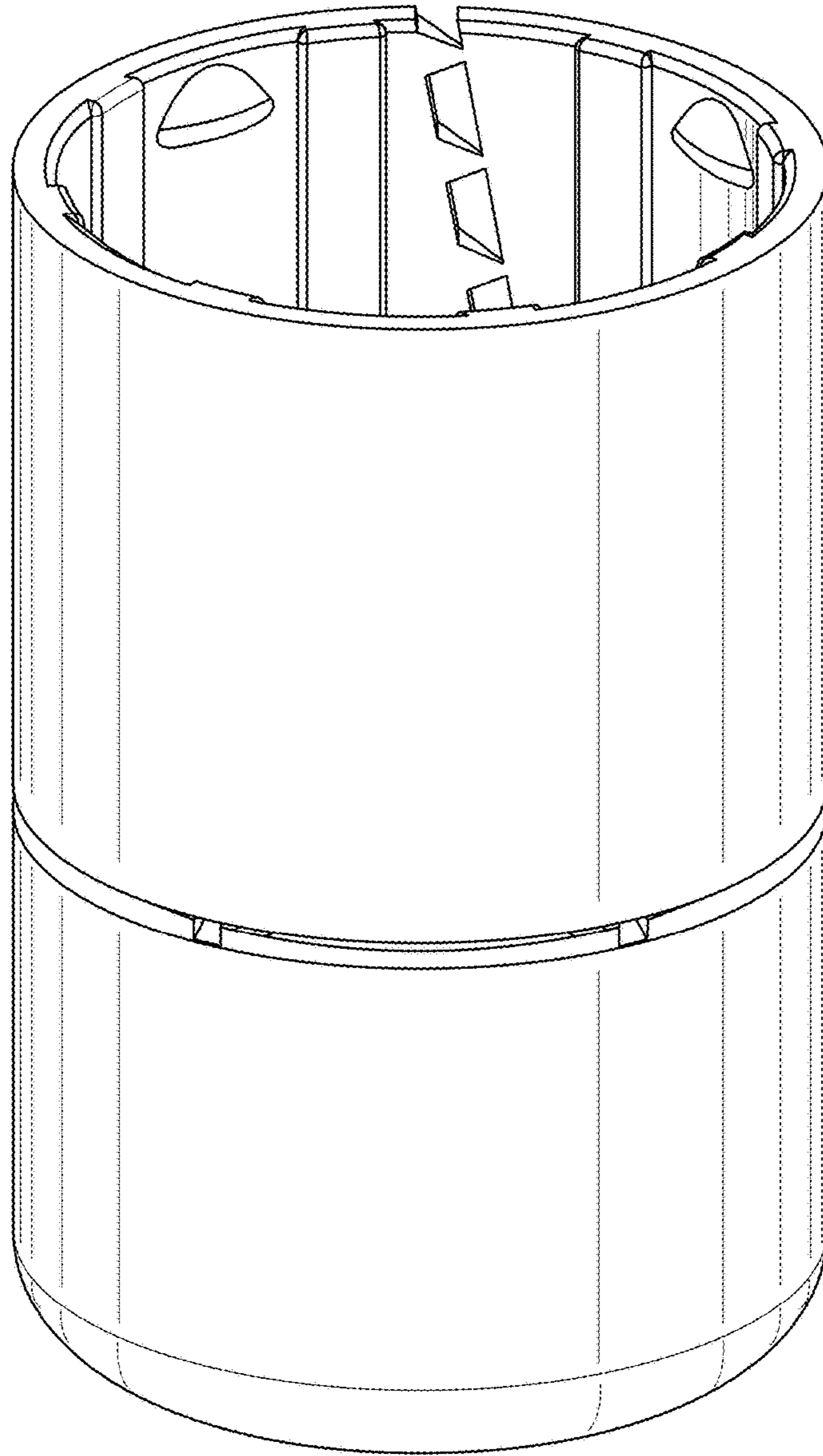


FIG. 8

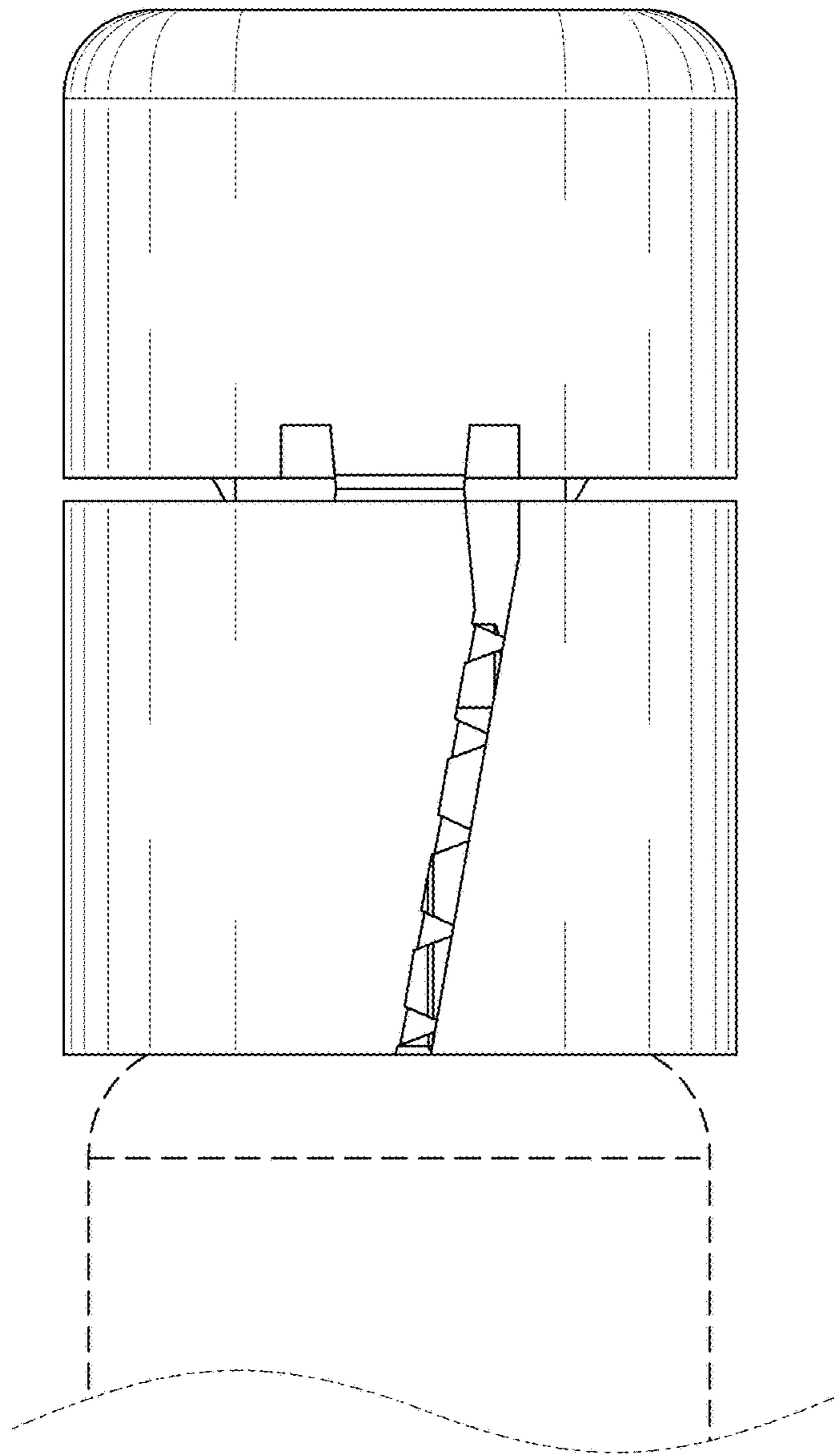


FIG. 9