



US00D862693S

(12) **United States Design Patent**
Holop et al.

(10) **Patent No.:** **US D862,693 S**

(45) **Date of Patent:** **** Oct. 8, 2019**

(54) **SURGICAL SYSTEM INSTRUMENT
INTERFACE STERILE ADAPTER**

D546,947 S *	7/2007	Nalagatla	D24/129
D595,845 S *	7/2009	Mros	D24/129
D601,248 S *	9/2009	Mros	D24/129
D745,183 S *	12/2015	Parsons	D24/231
D812,245 S *	3/2018	Hommel	D24/231

(71) Applicant: **Intuitive Surgical Operations, Inc.**,
Sunnyvale, CA (US)

* cited by examiner

(72) Inventors: **Robert E. Holop**, Santa Clara, CA
(US); **Bram Gilbert Antoon
Lambrecht**, Redwood City, CA (US)

Primary Examiner — Eliza Z Bennett-Hattan

(74) *Attorney, Agent, or Firm* — Jones Robb, PLLC

(73) Assignee: **INTUITIVE SURGICAL
OPERATIONS, INC.**, Sunnyvale, CA
(US)

(57) **CLAIM**

The ornamental design for a surgical system instrument interface sterile adapter, as shown and described.

(**) Term: **15 Years**

(21) Appl. No.: **29/571,109**

DESCRIPTION

(22) Filed: **Jul. 14, 2016**

(51) **LOC (12) Cl.** **24-02**

(52) **U.S. Cl.**
USPC **D24/129**

(58) **Field of Classification Search**
USPC D24/129, 108, 111, 127, 128, 138, 231,
D24/133, 146, 186; D28/58
CPC A61B 34/30; A61B 34/20; A61B 90/37;
A61B 17/00234; A61B 17/0218; B25J
9/1689

FIG. 1 is a top perspective view of a surgical system instrument interface sterile adapter of our new design; FIG. 2 is a bottom perspective view thereof; FIG. 3 is a left side view thereof; FIG. 4 is a front view thereof; FIG. 5 is a right side view thereof; FIG. 6 is a rear view thereof; FIG. 7 is a top view thereof; and, FIG. 8 is a bottom view thereof.

See application file for complete search history.

The shade lines in the Figures show contour and not surface ornamentation.

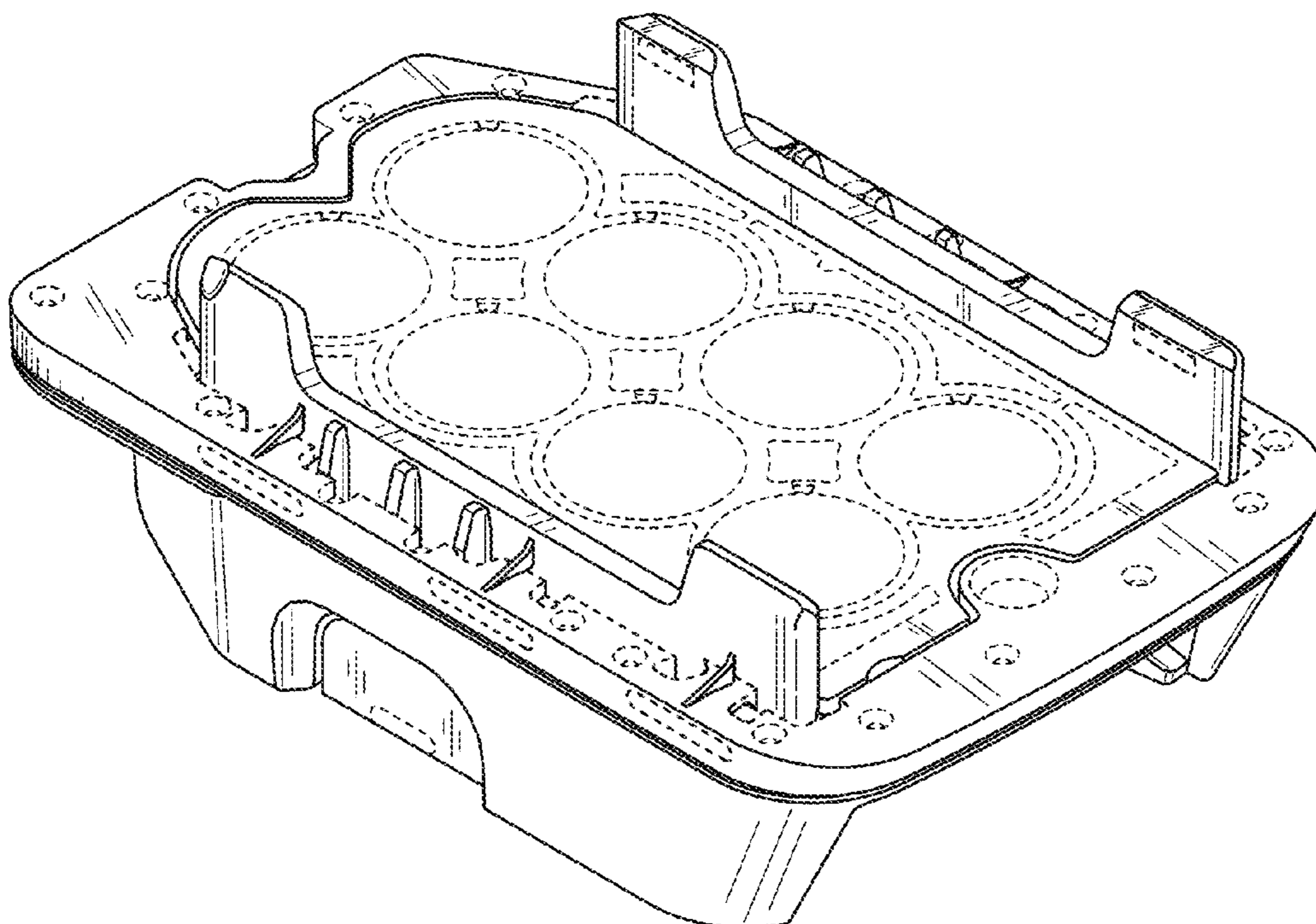
(56) **References Cited**

The broken lines in the Figures illustrate unclaimed portions and exemplary environmental structure of the surgical system instrument interface sterile adapter and form no part of the claimed design.

U.S. PATENT DOCUMENTS

D364,680 S *	11/1995	Dye	D24/129
D369,664 S *	5/1996	Dye	D23/260

1 Claim, 4 Drawing Sheets



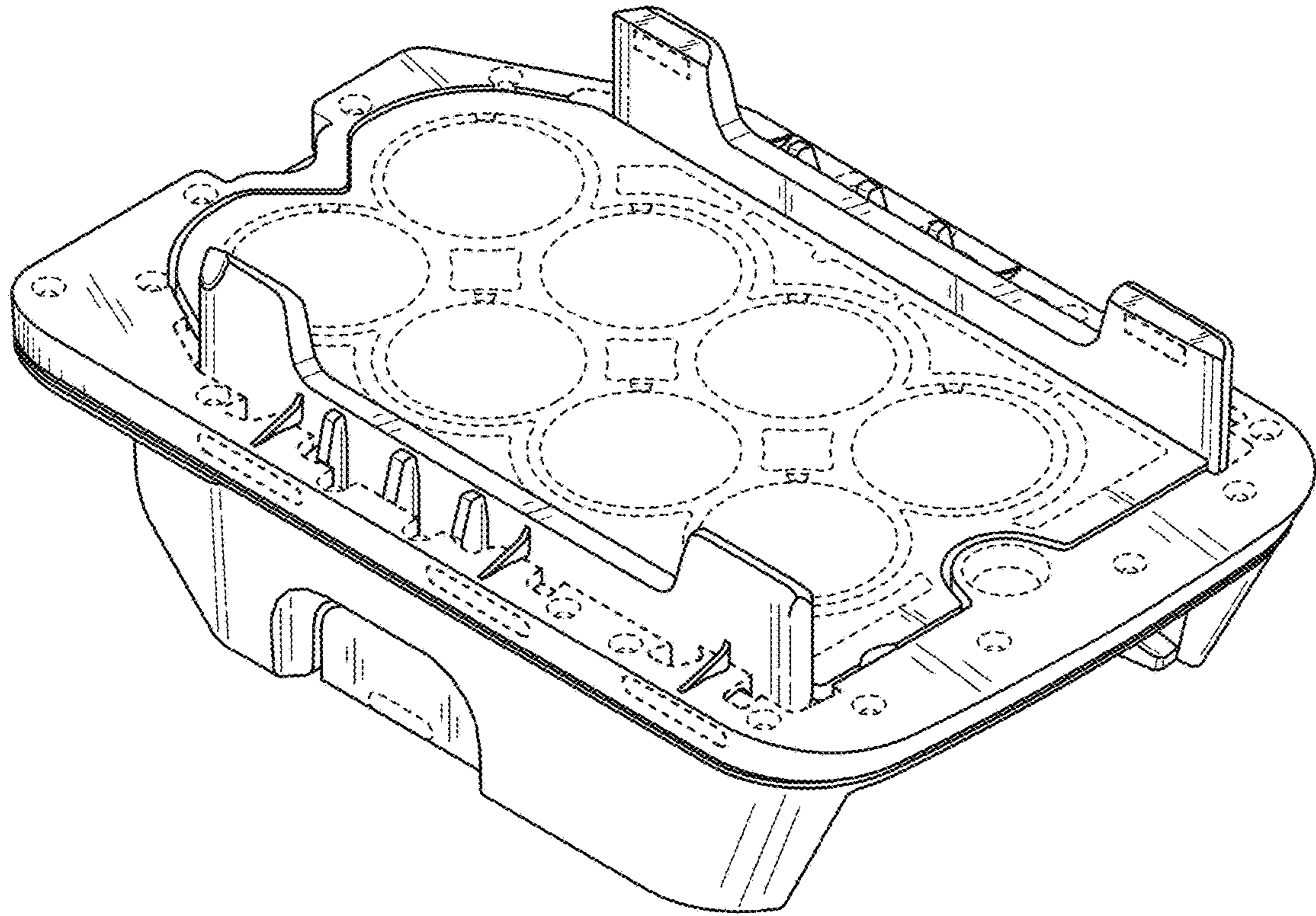


FIG. 1

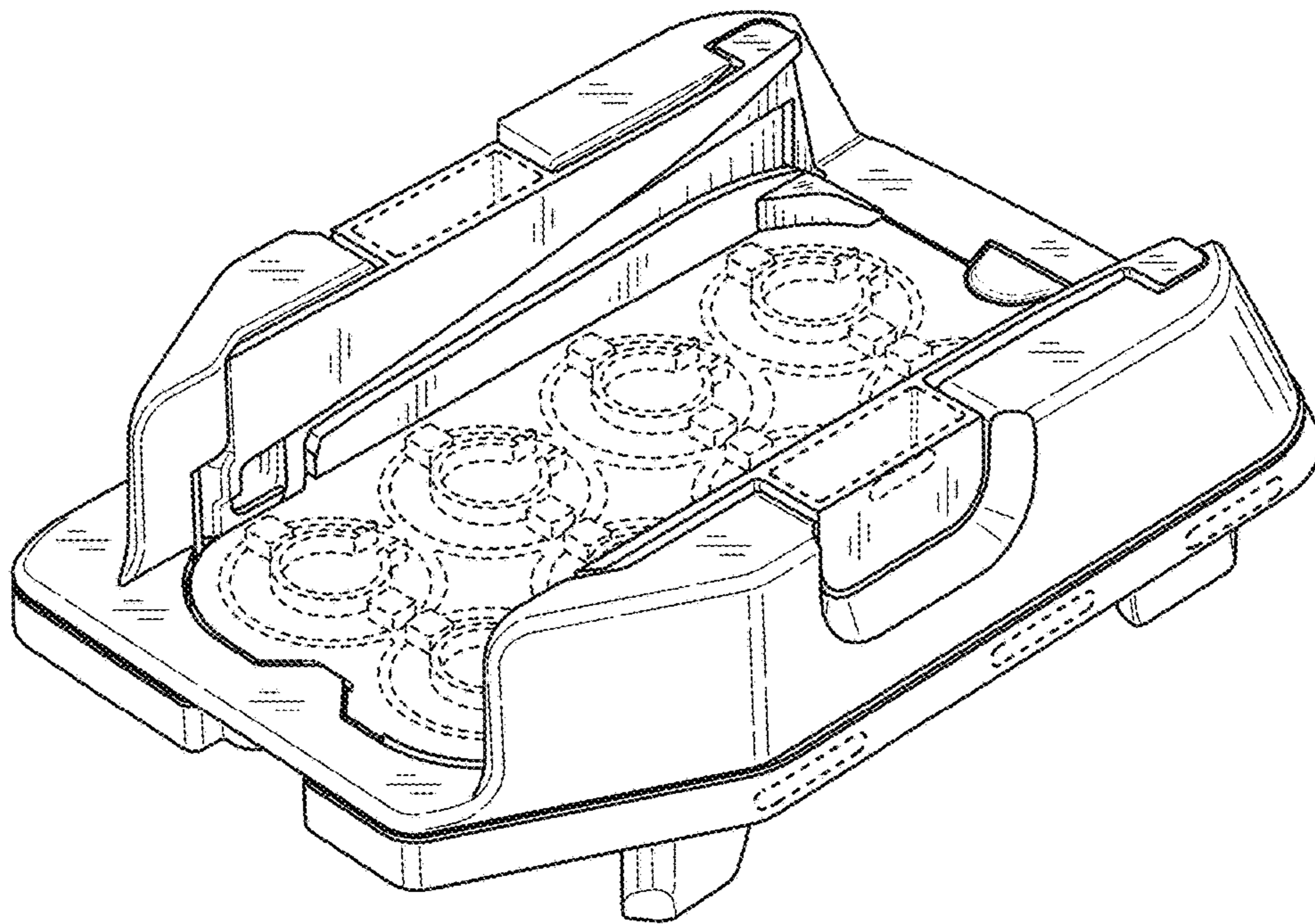


FIG. 2

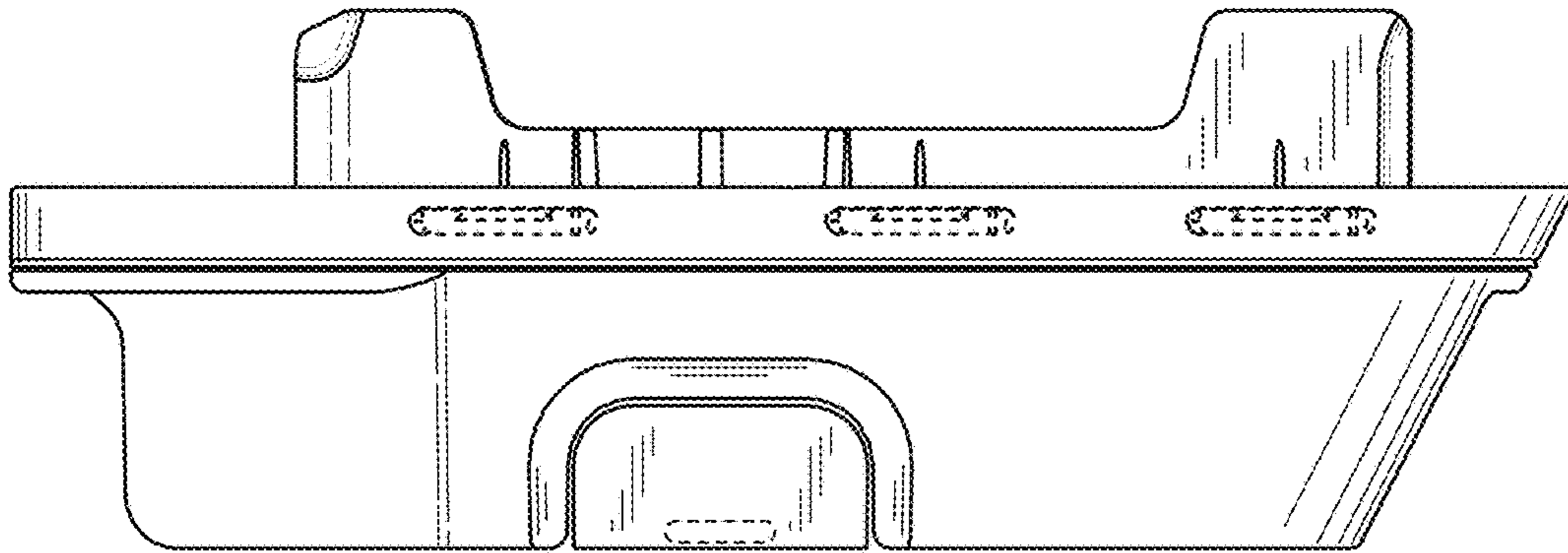


FIG. 3

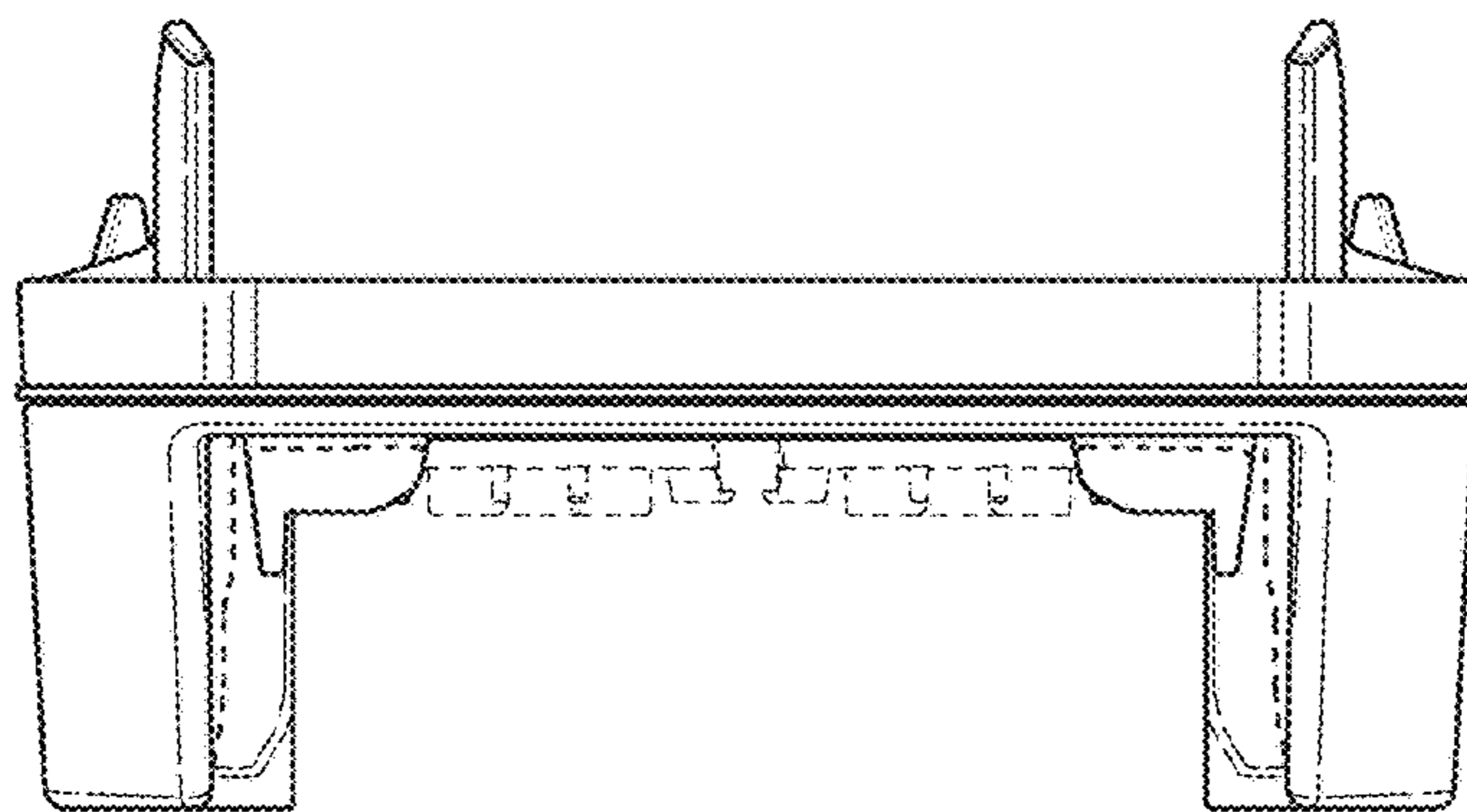


FIG. 4

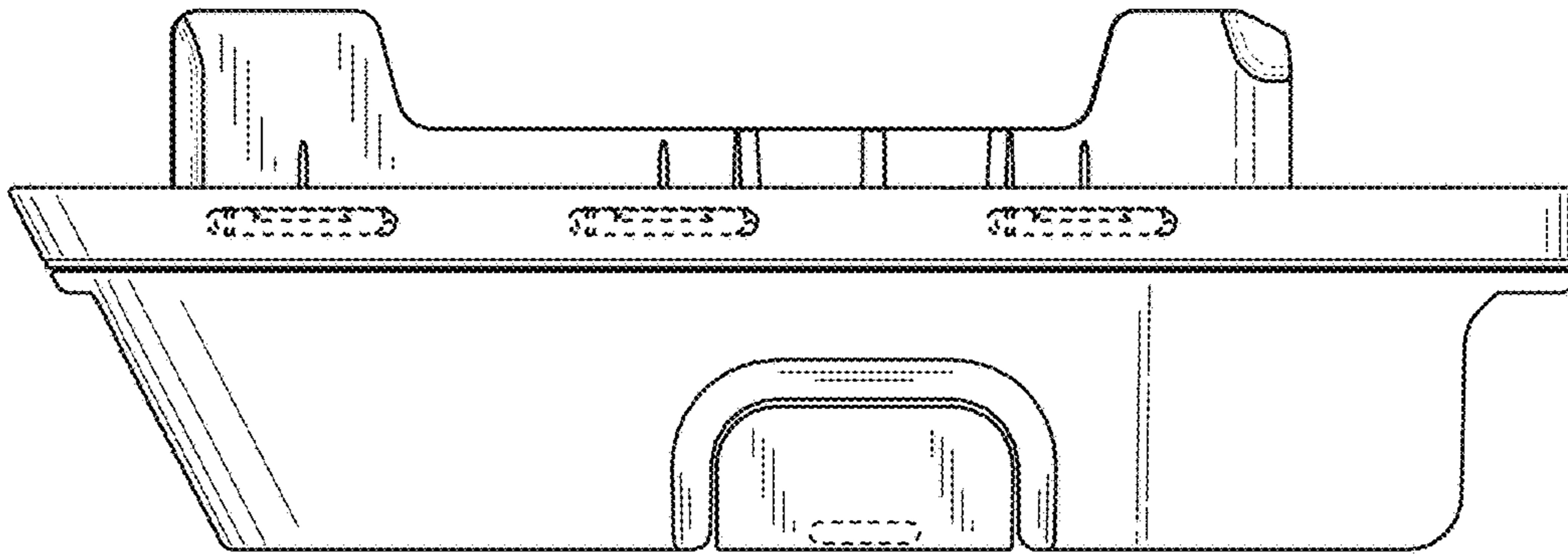


FIG. 5

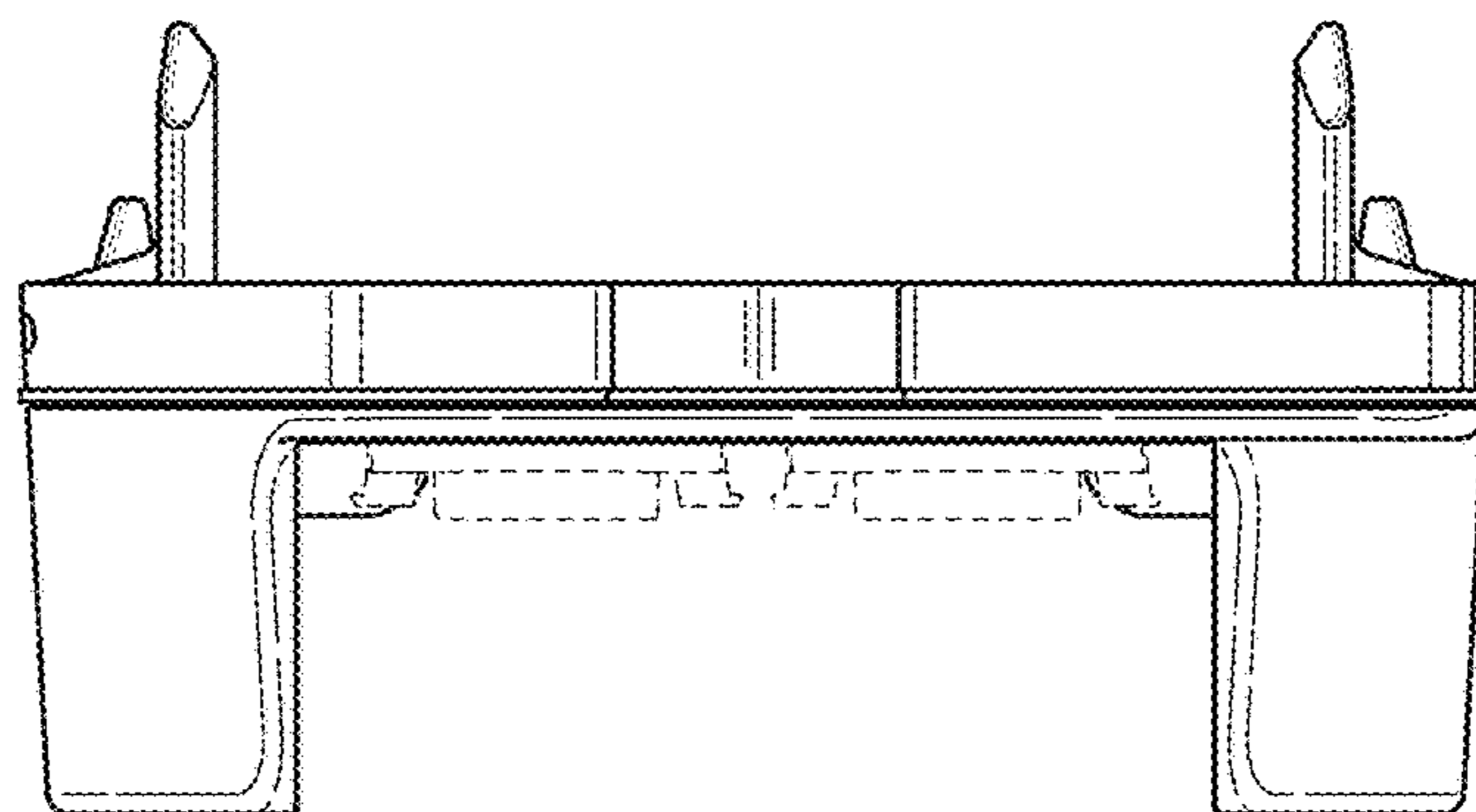


FIG. 6

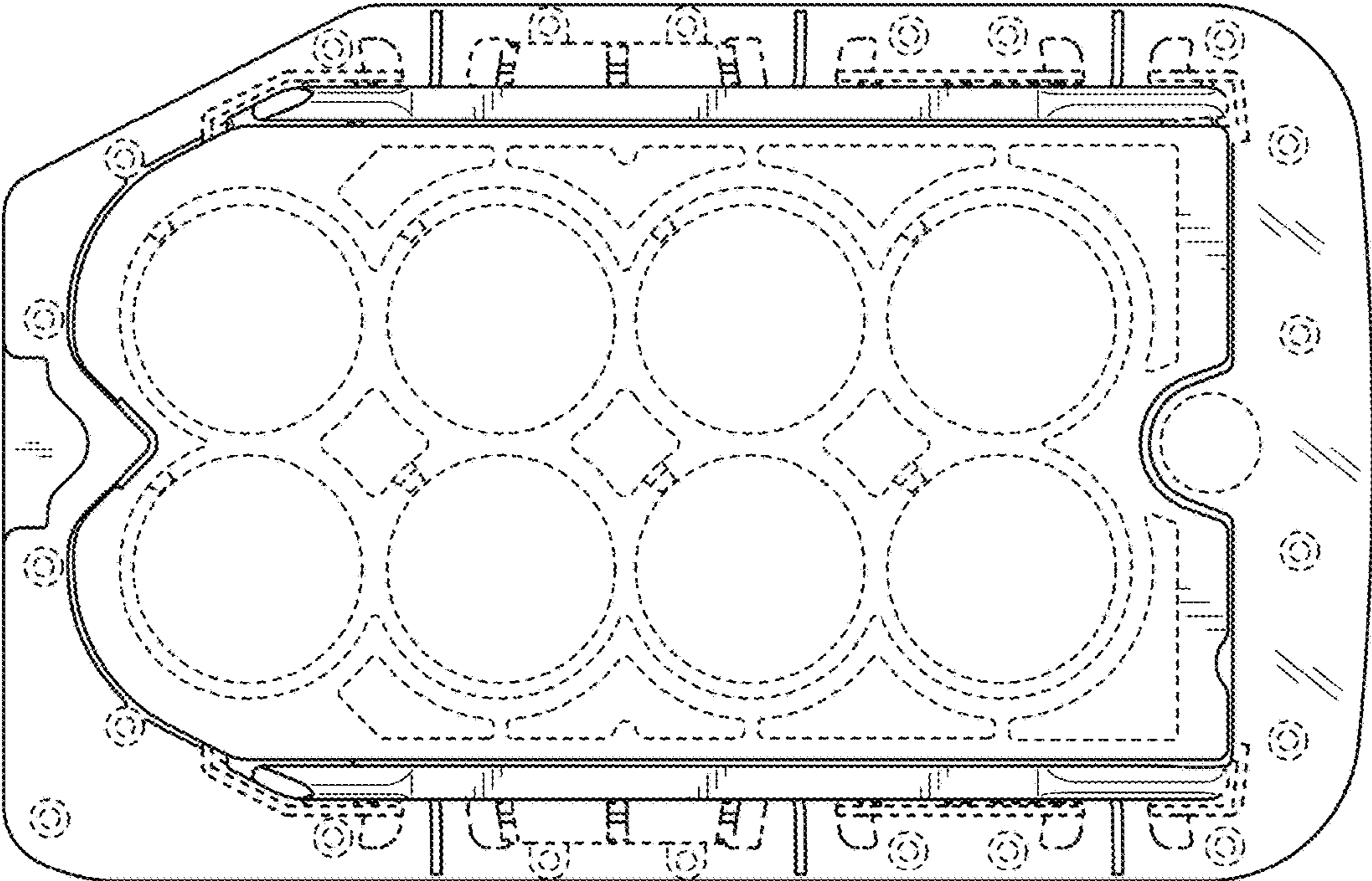


FIG. 7

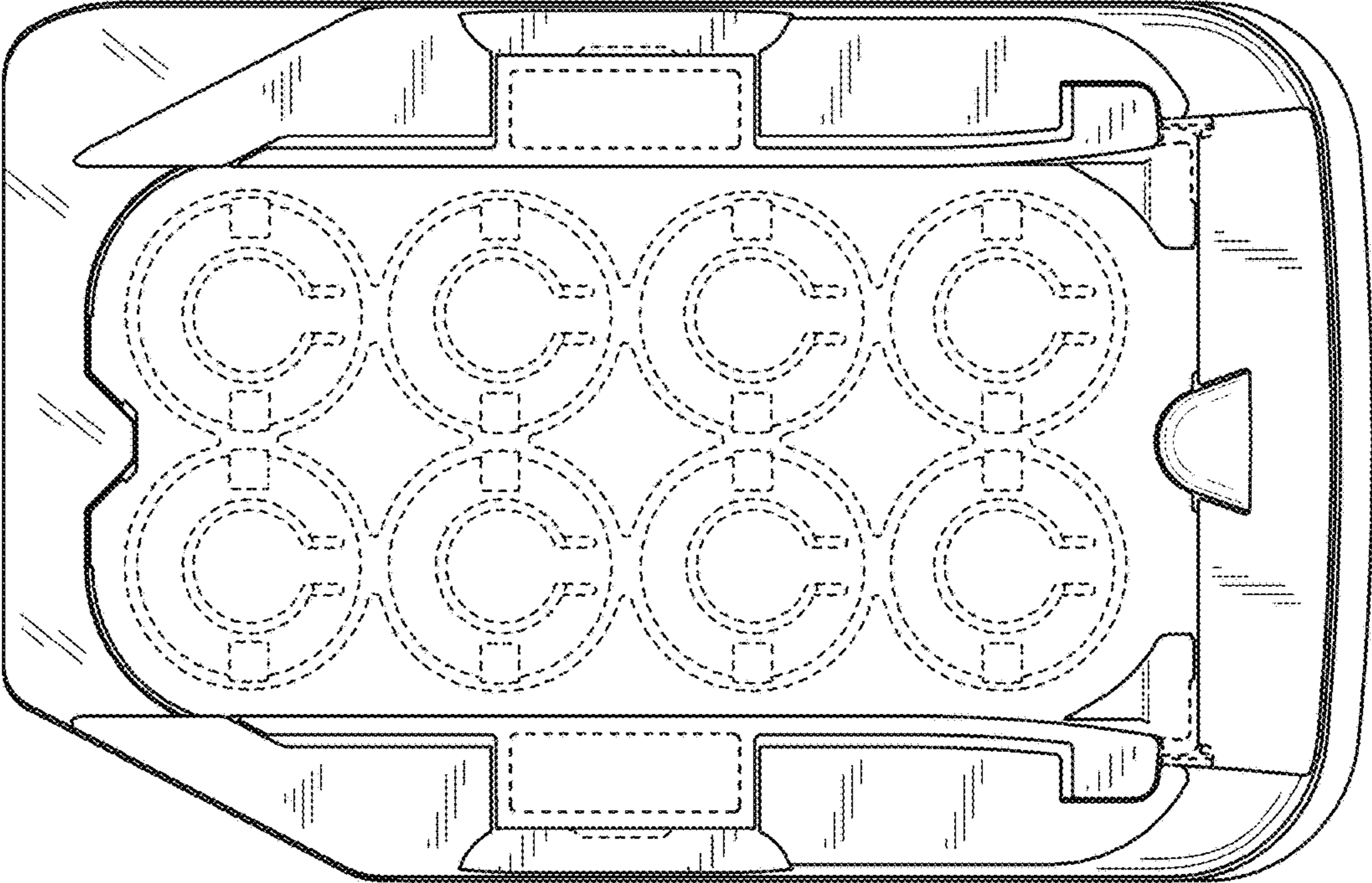


FIG. 8