



US00D862692S

(12) **United States Design Patent** (10) **Patent No.:** **US D862,692 S**
Leon Rovira et al. (45) **Date of Patent:** **** Oct. 8, 2019**

(54) **DISPOSABLE COVER FOR MEDICAL DEVICE**
(71) Applicant: **ONKO SOLUTIONS LLC**, Austin, TX (US)
(72) Inventors: **Noel Leon Rovira**, Guadalupe Monterrey (MX); **Jesus Manuel Seanez De Villa**, Guadalupe Monterrey (MX); **Yeimi Arreola Bucio**, Guadalupe Monterrey (MX); **Carlos Mendoza Rodriguez**, Guadalupe Monterrey (MX)

(73) Assignee: **ONKO SOLUTIONS LLC**, Austin, TX (US)

(**) Term: **15 Years**

(21) Appl. No.: **29/637,516**

(22) Filed: **Feb. 20, 2018**

(51) **LOC (12) Cl.** **24-02**

(52) **U.S. Cl.**
USPC **D24/127**

(58) **Field of Classification Search**
USPC D24/127–131, 112–114, 133, 186; 606/181, 185; 604/264, 523–528, 272, 604/187, 158, 164.01–164.11, 181, 184, 604/227; 600/101, 139, 143; 128/200.24, 207.14, 207.15
CPC A61M 25/00; A61M 39/00; A61M 27/00; A61M 25/0043; A61M 25/0067; A61M 25/0097; A61F 2/958
See application file for complete search history.

(56) **References Cited**

U.S. PATENT DOCUMENTS

4,579,108 A * 4/1986 Bauman A61B 1/267
600/186
5,078,483 A * 1/1992 Herzberg A61B 1/00142
359/510

5,465,461 A * 11/1995 Sandel B25G 1/02
16/421
5,747,751 A * 5/1998 Weckerle A61B 7/02
181/131
6,964,654 B2 * 11/2005 Fanti A61F 5/445
604/333
7,063,664 B2 * 6/2006 Mohajer A61B 1/00142
600/184
9,970,186 B2 * 5/2018 Hodkiewicz E03C 1/308
D832,443 S * 10/2018 Berkely D24/176
D835,265 S * 12/2018 Inoue D24/129

* cited by examiner

Primary Examiner — David G Muller

(74) *Attorney, Agent, or Firm* — Young & Thompson

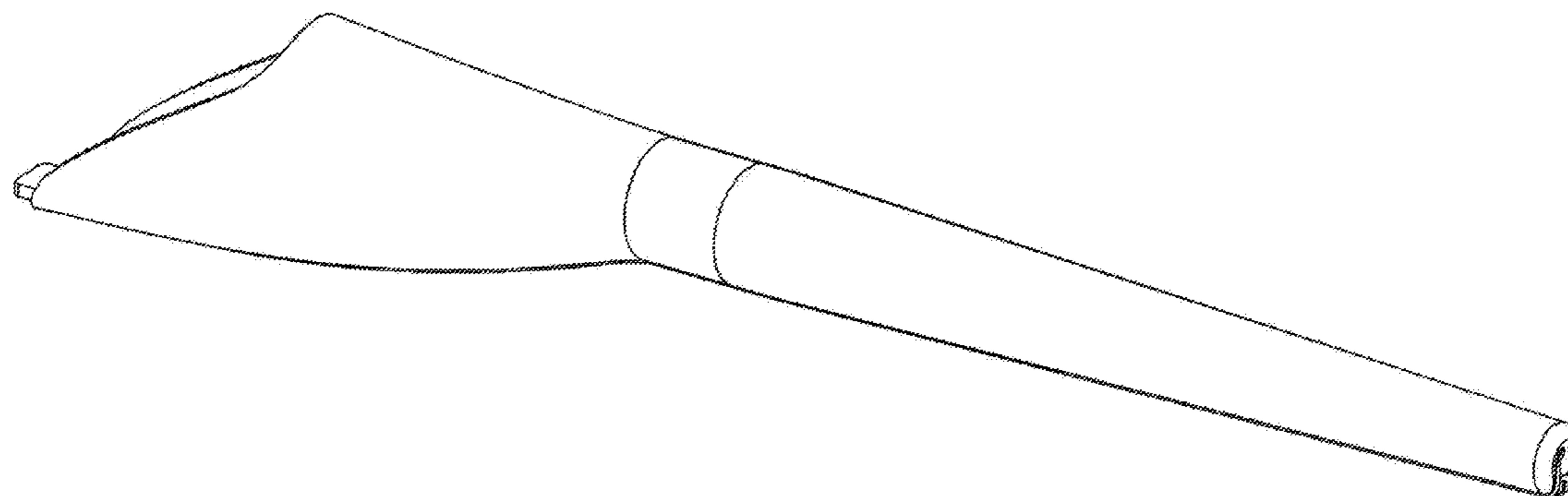
(57) **CLAIM**

The ornamental design for a disposable cover for medical device, as shown and described.

DESCRIPTION

FIG. 1 is a front, right side, and top perspective view of a disposable cover for medical device showing the new design;
FIG. 2 is a front, left side, and bottom perspective view thereof;
FIG. 3 is a front, left side, and top perspective view thereof;
FIG. 4 is a front, top, and right side perspective view thereof;
FIG. 5 is a left side elevation view thereof;
FIG. 6 is a top plan view thereof;
FIG. 7 is a bottom plan view thereof;
FIG. 8 is an enlarged front elevation view thereof; and,
FIG. 9 is an enlarged rear elevation view thereof.
The dashed lines immediately adjacent to the claimed areas in FIG. 9 represent the boundaries of the claimed design. The dashed lines in the figures illustrate the portions of the design that form no part of the claimed design. None of the broken lines form any part of the claimed design.

1 Claim, 9 Drawing Sheets



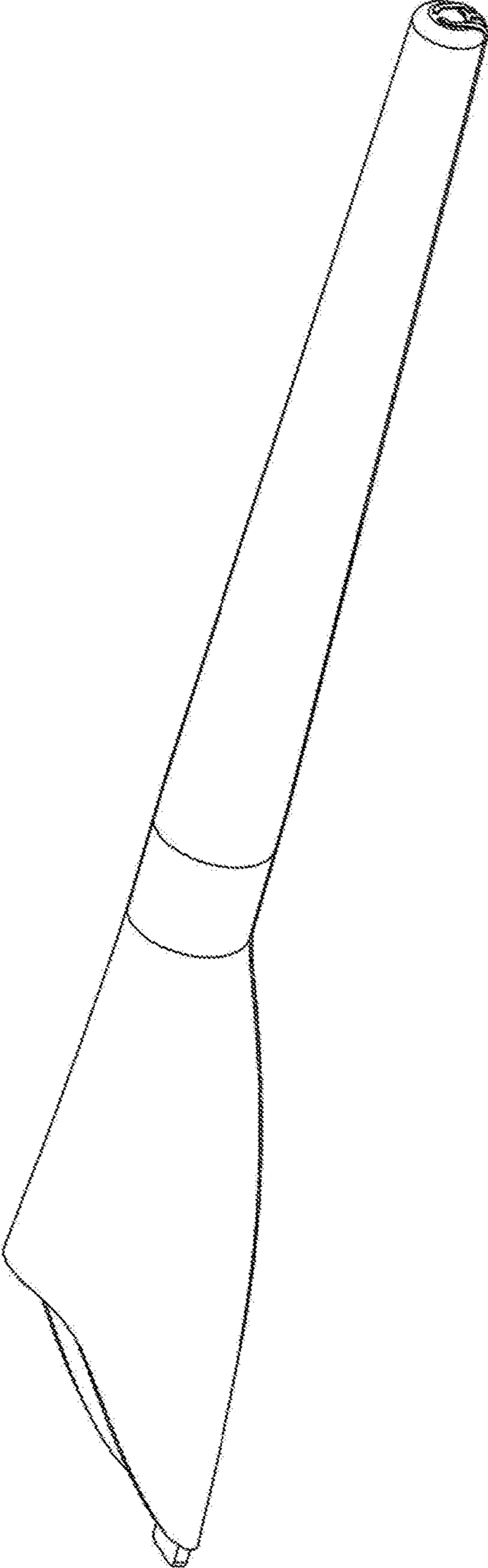


FIG. 1

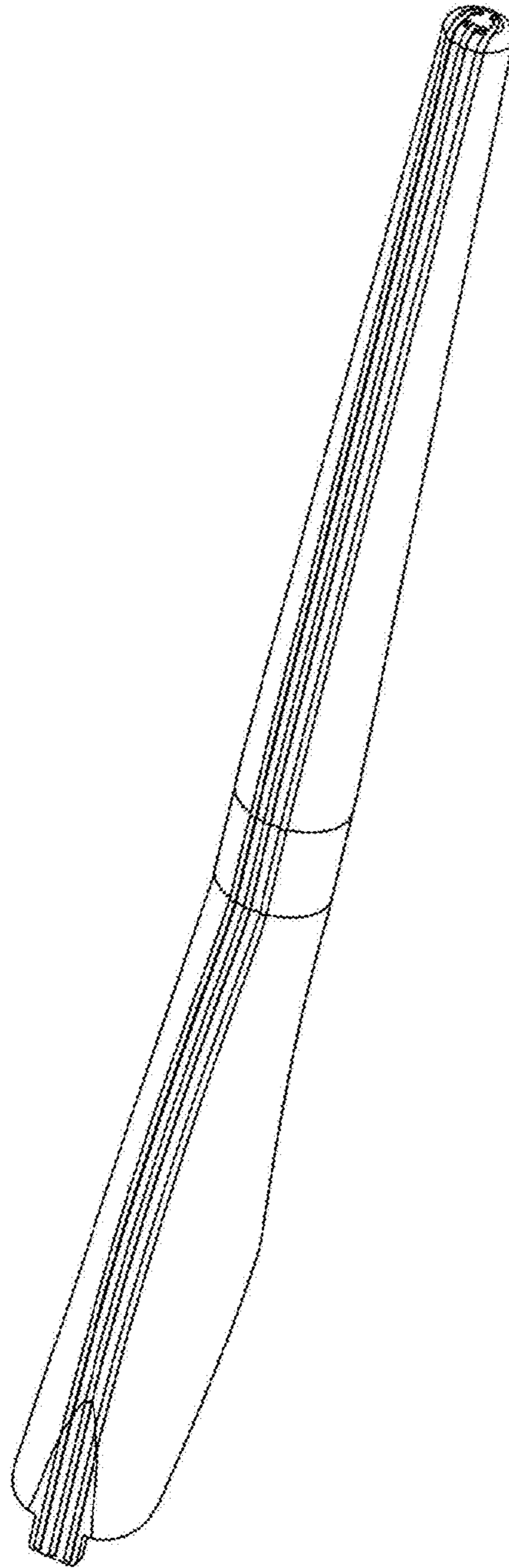


FIG. 2

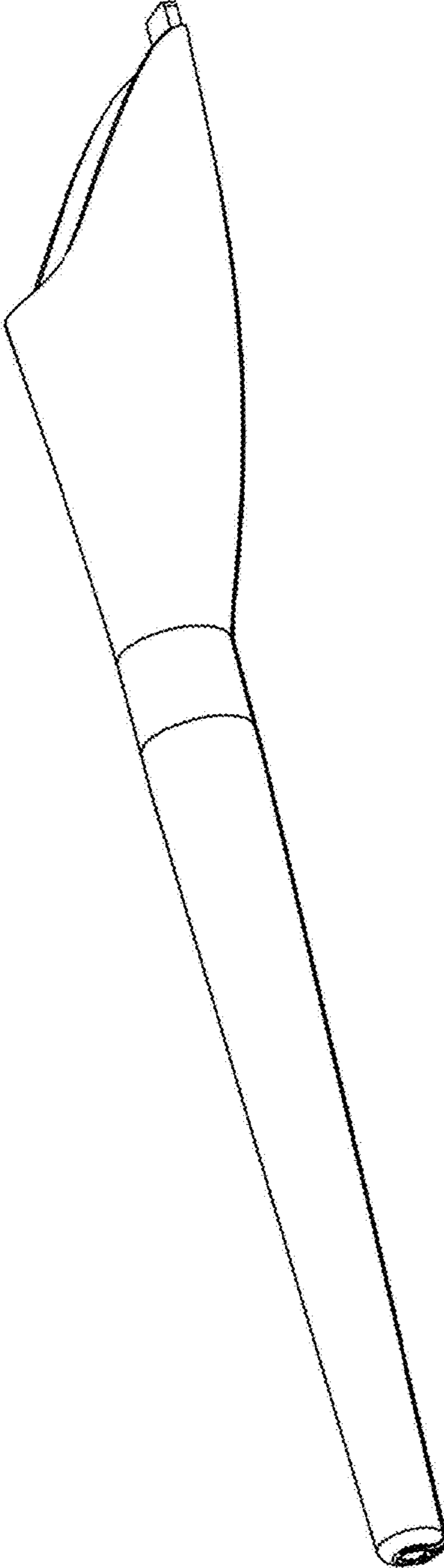


FIG. 3

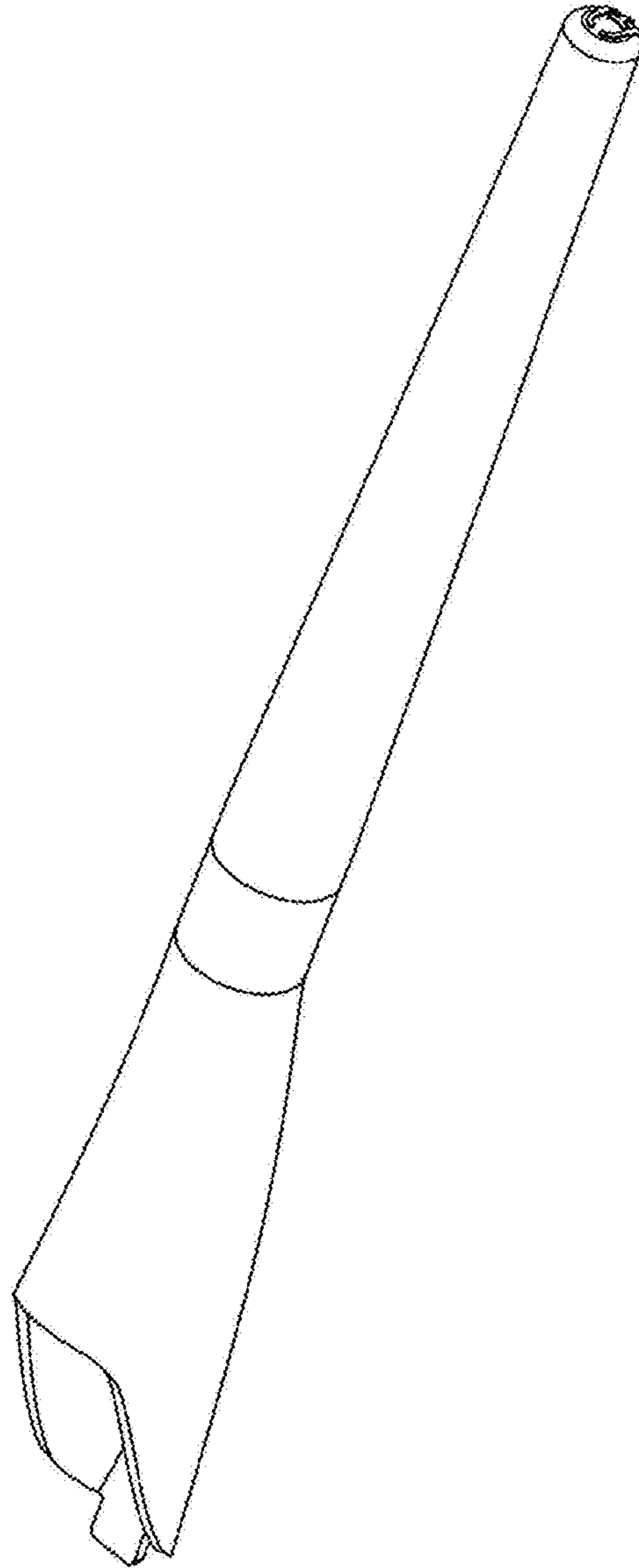


FIG. 4

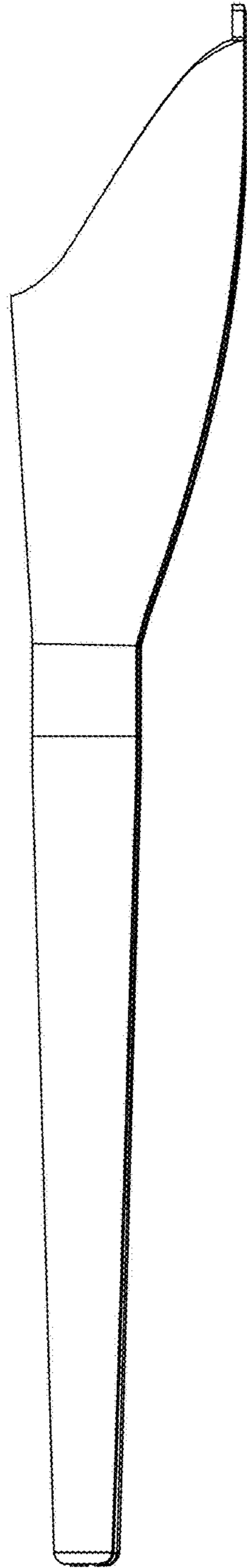


FIG. 5

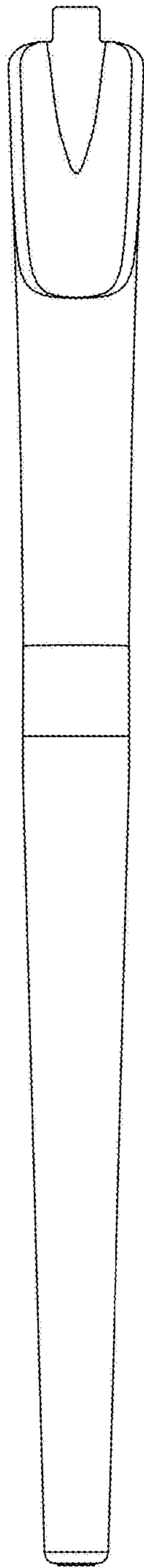


FIG. 6

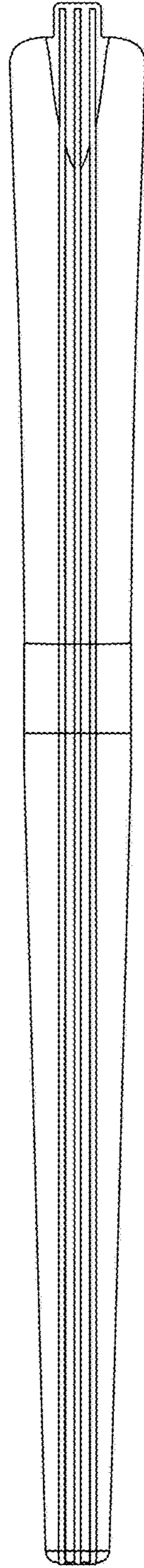


FIG. 7

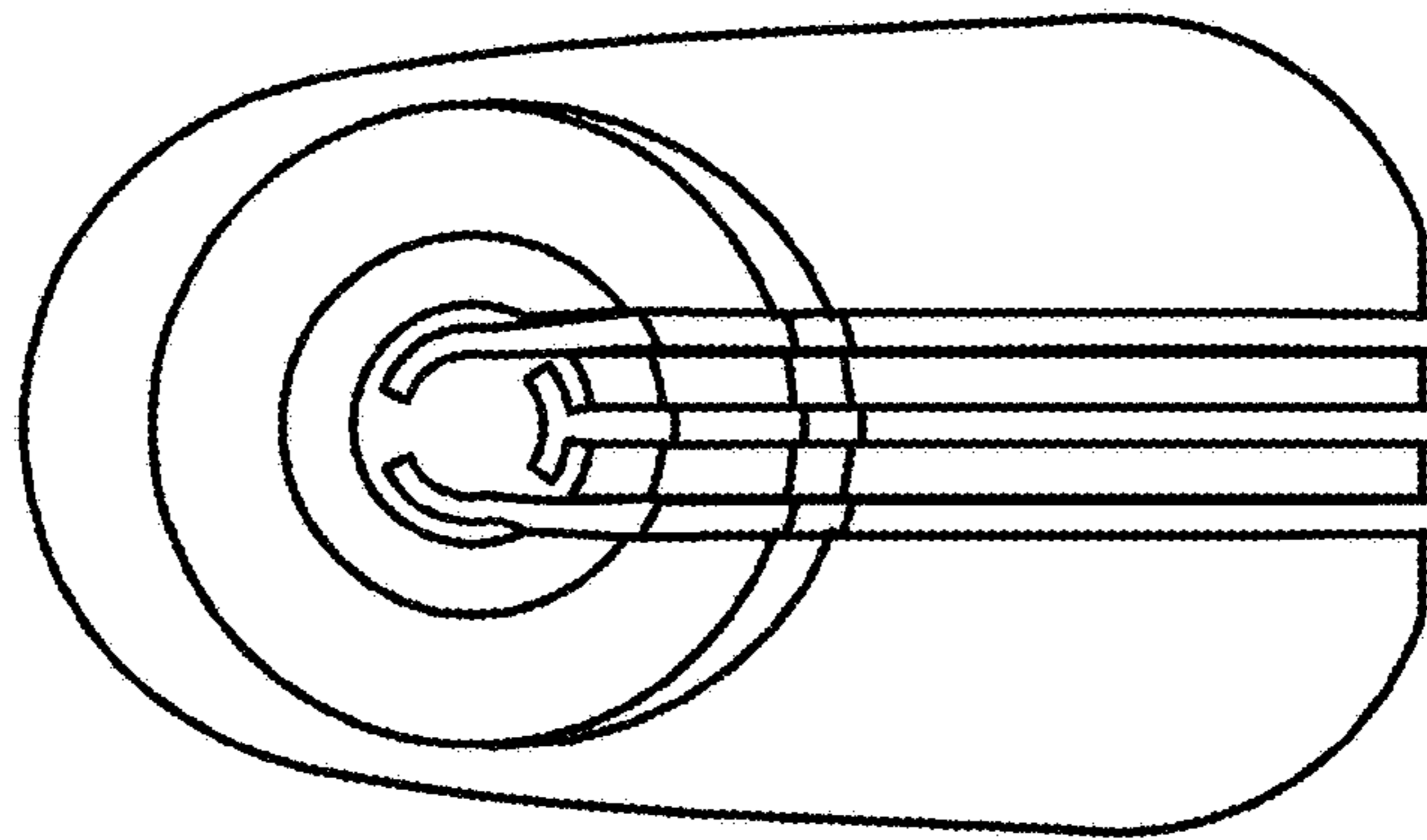


FIG. 8

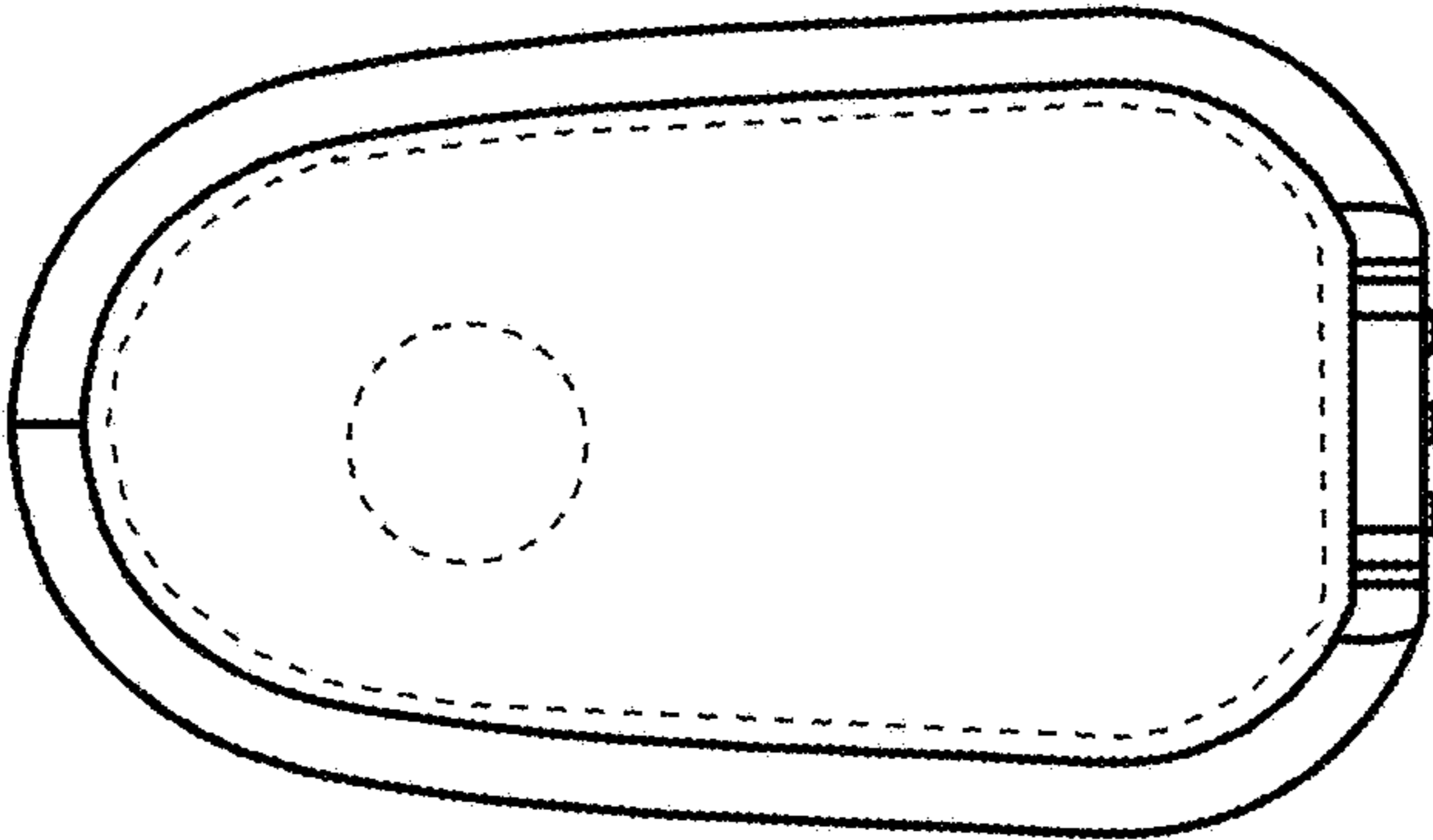


FIG. 9