



US00D862690S

(12) **United States Design Patent**
Jansen

(10) **Patent No.:** **US D862,690 S**

(45) **Date of Patent:** **** Oct. 8, 2019**

- (54) **MEDICAL INJECTOR**
- (71) Applicant: **HASELMEIER AG**, St. Gallen (CH)
- (72) Inventor: **Paul Edward Jansen**, Boston, MA (US)
- (73) Assignee: **Haselmeier AG**, St. Gallen (CH)
- (**) Term: **15 Years**
- (21) Appl. No.: **29/655,488**
- (22) Filed: **Jul. 3, 2018**
- (51) **LOC (12) Cl.** **24-02**
- (52) **U.S. Cl.**
USPC **D24/113**
- (58) **Field of Classification Search**
USPC D24/112-114, 133, 186, 127-131;
606/181, 185; 604/264, 272, 115, 232,
604/187, 158, 164.08, 192, 263, 163, 181,
604/184, 198, 227; 600/101, 139, 143;
128/200.24, 207.14, 207.15;
D19/115-123, 177, 193
CPC A61M 5/3156; A61M 5/31591; A61M
5/3155; A61M 5/3157; A61M 5/24;
A61M 5/31501; A61M 5/31551; A61M
5/31585; A61M 2005/2407; A61M
2005/2492; A61M 2205/581; A61M
2205/582
See application file for complete search history.

- D652,136 S * 1/2012 Hawley D24/113
- D676,957 S * 2/2013 Schneider D24/113
- D696,774 S * 12/2013 Guarraia D24/113
- 8,608,709 B2 * 12/2013 Moller A61M 5/24
604/110
- D722,158 S * 2/2015 Magome D24/113
- D725,771 S * 3/2015 Sendatzki D24/113
- D728,782 S * 5/2015 Dubuc D24/113
- D752,738 S * 3/2016 Riess D24/113
- D758,568 S * 6/2016 Wohlfahrt D24/113
- D758,570 S * 6/2016 Wohlfahrt D24/113

(Continued)

OTHER PUBLICATIONS

KwikPen Ad: https://diabetessource.ca/wp-content/uploads/2013/07/Humalog-KwikPen-pre-filled-pen-100-IU_mL6002PPS0.JPG.png, downloaded on Jun. 29, 2018.

Primary Examiner — David G Muller
Assistant Examiner — Nathan M Johnston
(74) *Attorney, Agent, or Firm* — Walter Ottesen, P.A.

(57) **CLAIM**

The ornamental design for a medical injector, as shown and described.

DESCRIPTION

FIG. 1 is a perspective view of the housing viewed from the rear and left of and above the medical injector;
FIG. 2 is a perspective view of the housing viewed from the front and right of and above the medical injector
FIG. 3 is a top plan view thereof;
FIG. 4 is a bottom plan view thereof;
FIG. 5 is a left side elevation view thereof;
FIG. 6 is a right side elevation view thereof;
FIG. 7 is a front elevation view thereof; and,
FIG. 8 is a rear elevation view thereof.

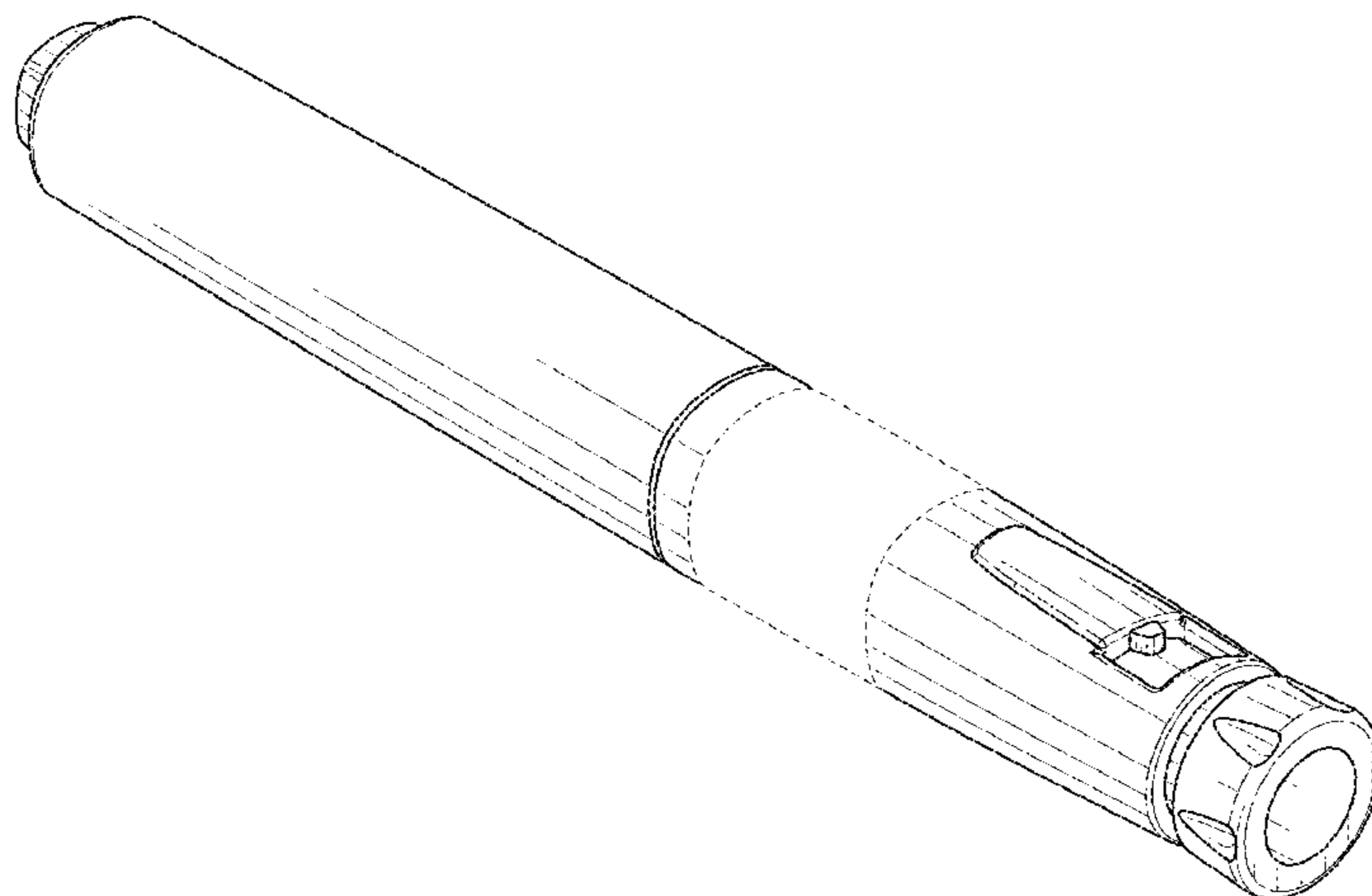
The broken line showing is for the purpose of illustrating portions of the article and defines the bounds of the claimed invention, but forms no part of the claimed design.

1 Claim, 4 Drawing Sheets

(56) **References Cited**

U.S. PATENT DOCUMENTS

- 5,921,966 A * 7/1999 Bendek A61M 5/24
604/207
- D479,601 S * 9/2003 Tyce D19/164
- D479,603 S * 9/2003 Tyce D19/164
- D479,747 S * 9/2003 Bainton D19/164
- D479,748 S * 9/2003 Tyce D19/164
- D606,649 S * 12/2009 Tyce D24/113
- D628,690 S * 12/2010 Galbraith D24/114



(56)

References Cited

U.S. PATENT DOCUMENTS

D773,038 S * 11/2016 Tanner D24/113
D773,649 S * 12/2016 Wohlfahrt D24/113
D810,281 S * 2/2018 Holmqvist D24/112
9,956,351 B2 * 5/2018 Moller A61M 5/31551
10,207,056 B2 * 2/2019 Avery A61M 5/003
10,238,808 B2 * 3/2019 Jones A61M 5/20
D844,775 S * 4/2019 Jansen D24/112
10,279,116 B2 * 5/2019 Plumptre A61M 5/24
10,279,130 B2 * 5/2019 Mosebach A61M 5/3157
10,286,150 B2 * 5/2019 Harms A61M 5/003
2012/0089097 A1 * 4/2012 Harms A61M 5/24
604/187
2014/0010727 A1 * 1/2014 Jugl A61M 5/001
422/292
2014/0243755 A1 * 8/2014 Slemmen A61M 5/3202
604/198
2015/0025473 A1 * 1/2015 Banik A61M 5/3204
604/192
2015/0174335 A1 * 6/2015 Roervig A61M 5/20
604/198
2016/0008547 A1 * 1/2016 Plumptre A61M 5/3146
604/189
2016/0193417 A1 * 7/2016 Guillermo A61M 5/31553
604/192
2017/0028141 A1 * 2/2017 Fiedler G09B 23/285
2017/0151390 A1 * 6/2017 Muller-Pathle G06K 9/6292
2018/0169345 A1 * 6/2018 Stephenson A61M 5/24
2018/0221563 A1 * 8/2018 Frederiksen A61M 5/001
2018/0361076 A1 * 12/2018 Klemm A61M 5/31553

* cited by examiner

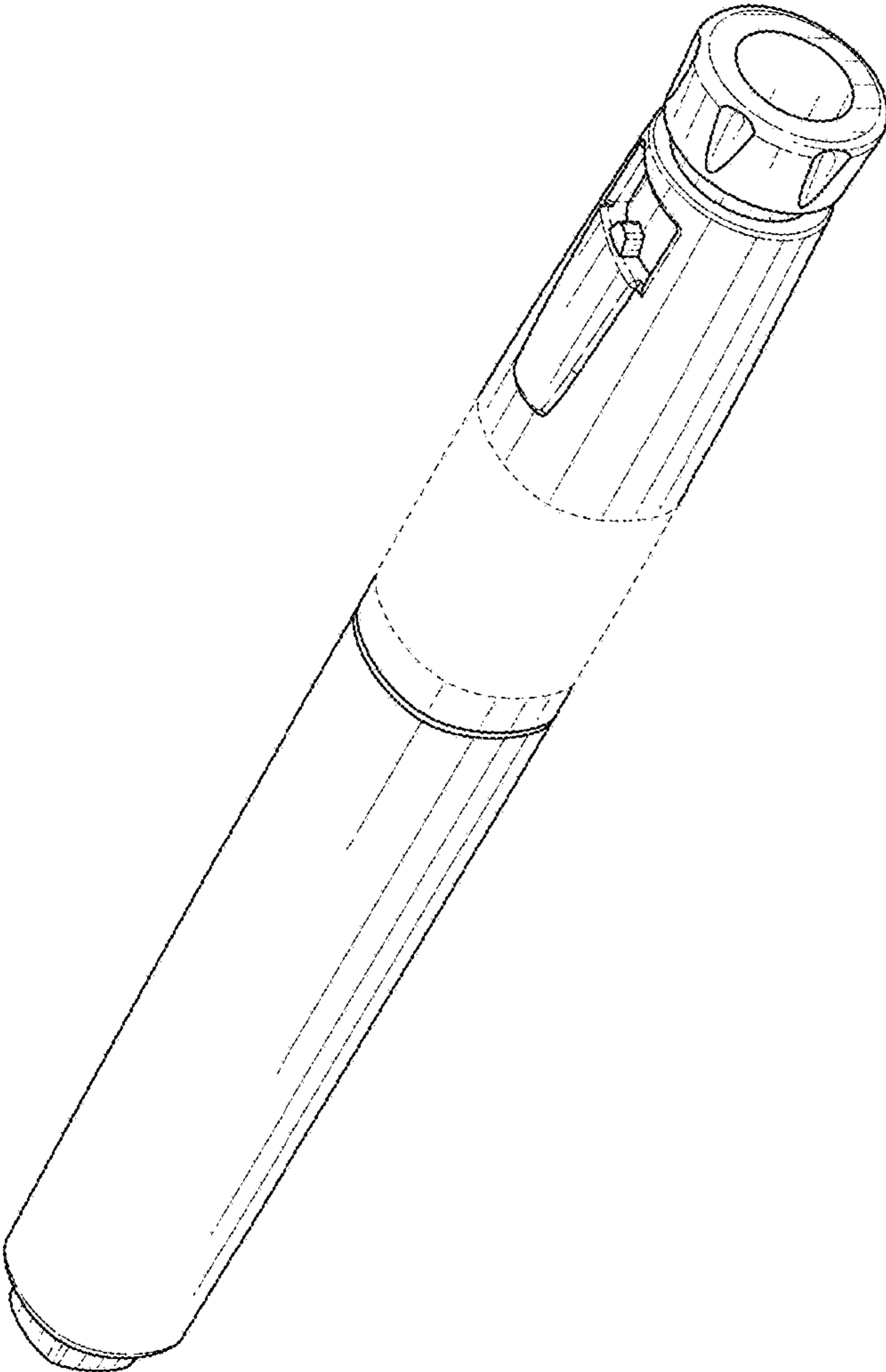


FIG. 1

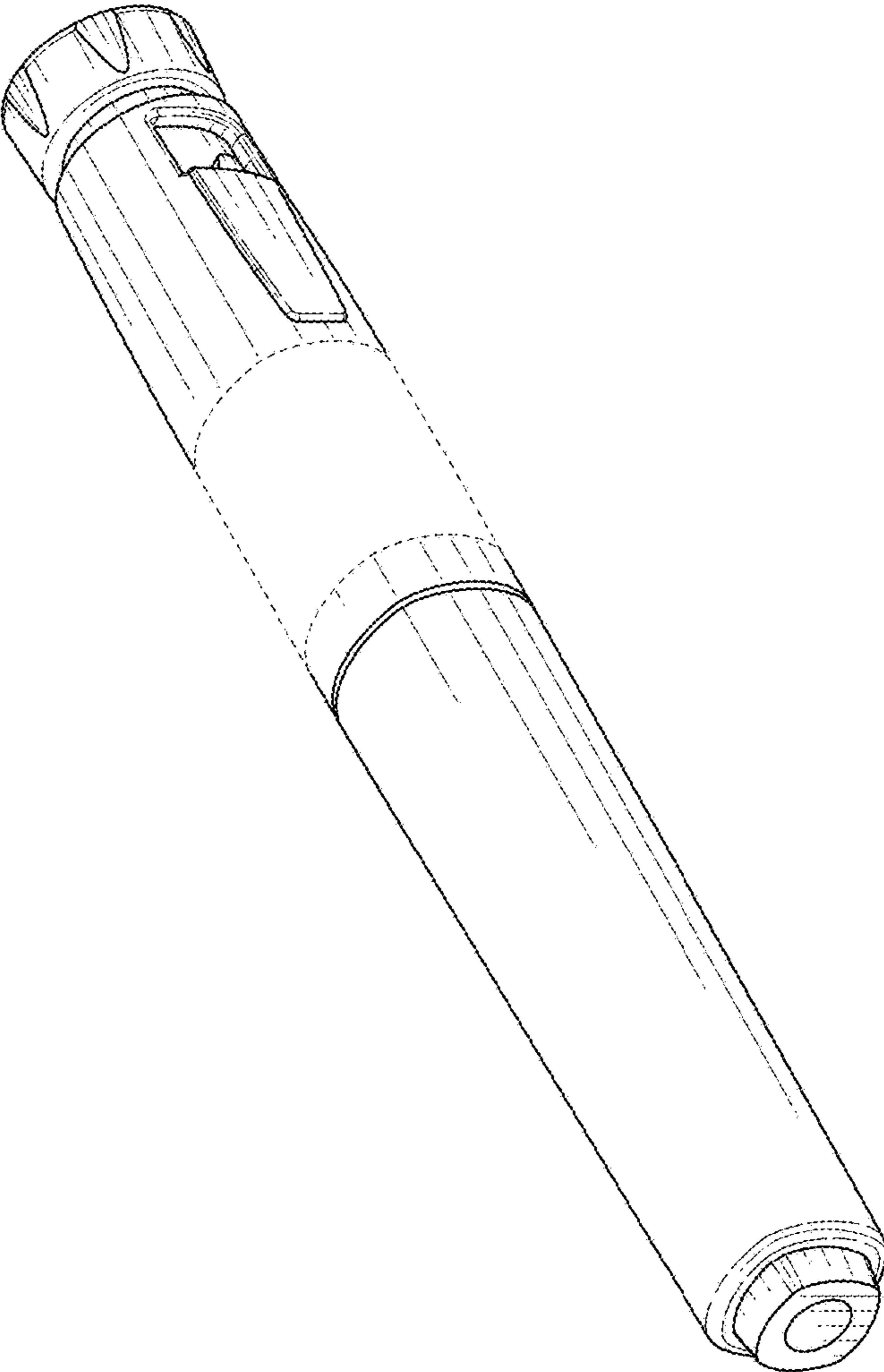


FIG. 2

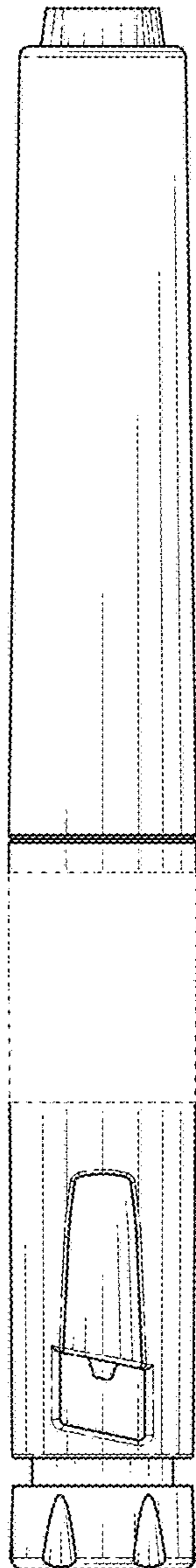


FIG. 3

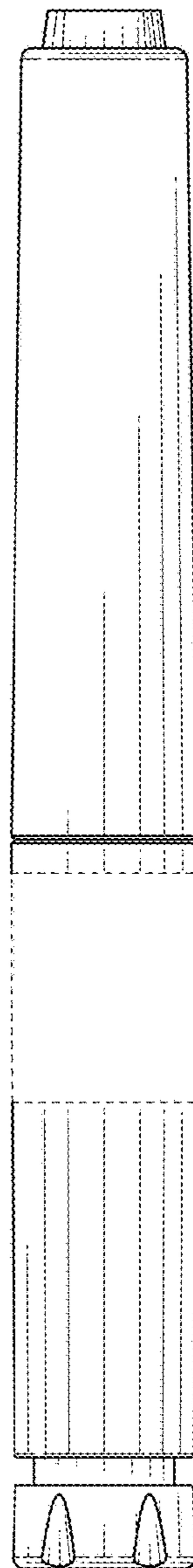


FIG. 4

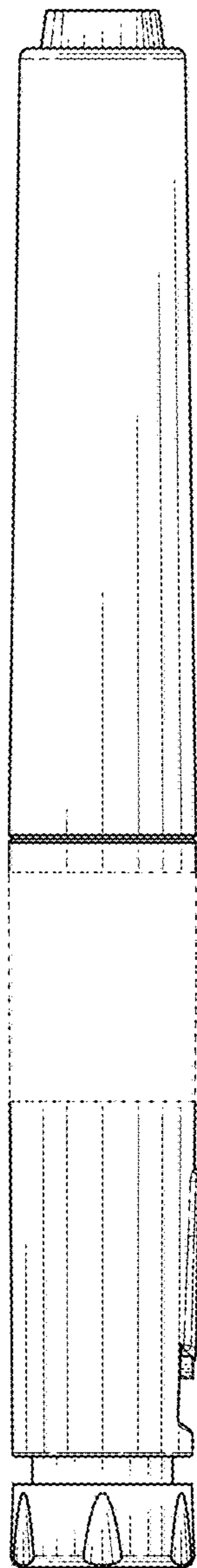


FIG. 5

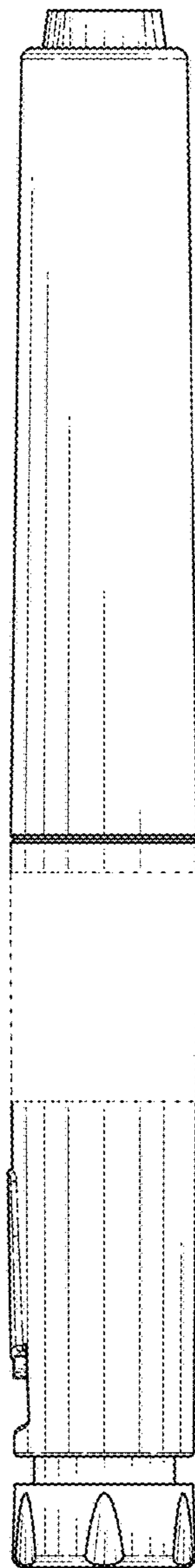


FIG. 6

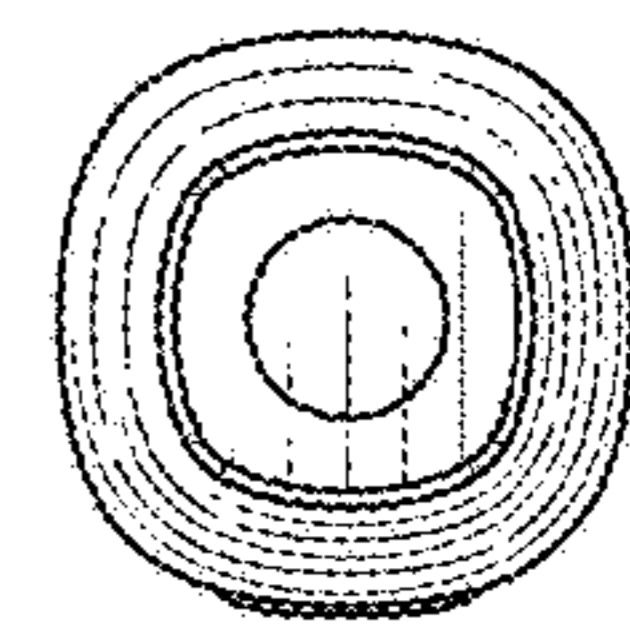


FIG. 7

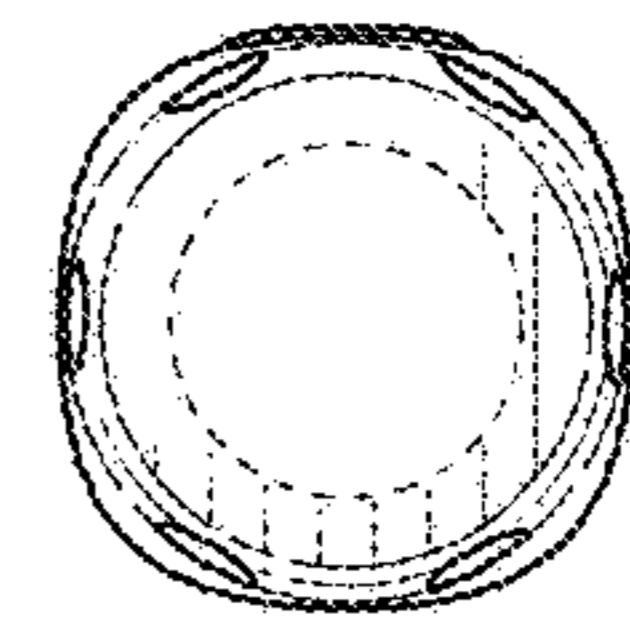


FIG. 8