



US00D862683S

(12) **United States Design Patent** (10) **Patent No.:** **US D862,683 S**
Rosen (45) **Date of Patent:** **** Oct. 8, 2019**

(54) **MASK VENTILATION ASSIST DEVICE**
(71) Applicant: **Gerald P. Rosen**, Miami Beach, FL (US)
(72) Inventor: **Gerald P. Rosen**, Miami Beach, FL (US)
(**) Term: **15 Years**

6,736,139 B1 5/2004 Wix
7,353,827 B2 4/2008 Geist
D639,420 S 6/2011 D'Souza et al.
9,199,054 B2 12/2015 Moulton et al.
D767,117 S * 9/2016 Angert D24/110.4
D771,240 S * 11/2016 Angert D24/110.4
10,143,817 B2 * 12/2018 Chodkowski A61M 16/06
2006/0000476 A1 1/2006 Salem
2014/0366886 A1 12/2014 Chodkowski et al.
2017/0030457 A1 2/2017 Hotait et al.
2018/0361101 A1 * 12/2018 Frerichs A61M 16/0605

(21) Appl. No.: **29/673,487**
(22) Filed: **Dec. 14, 2018**

Related U.S. Application Data

(60) Division of application No. 29/601,550, filed on Apr. 24, 2017, which is a continuation of application No. 15/494,824, filed on Apr. 24, 2017.

(51) **LOC (12) Cl.** **29-02**
(52) **U.S. Cl.**

USPC **D24/110.1; D24/128**

(58) **Field of Classification Search**
USPC D24/110.1-110.4, 110, 110.5-110.6, 112, D24/127-128, 164; D8/382, 394-398
CPC A61M 16/06; A61M 16/0683; A61M 16/0816; A61M 16/0875; A61M 16/208; A61M 16/00; A61M 16/0605; A62B 18/02; A62B 18/10

See application file for complete search history.

(56) **References Cited**

U.S. PATENT DOCUMENTS

D160,668 S 12/1948 Smith
D160,669 S 1/1949 Smith
D178,579 S 8/1956 Popp et al.
3,058,466 A 5/1959 Routsong
6,631,718 B1 10/2003 Lovell

OTHER PUBLICATIONS

Jacquelin Peck, MD, Omar Viswanath, MD, and Gerald Rosen, MD. Mask Ventilation Grip: A Life-Saving Innovation. Ochsner; Journal. vol. 18, No. 2. Date Published: Summer 2018. pp. 112-113. (Year: 2018).

* cited by examiner

Primary Examiner — Karen E Kearney

Assistant Examiner — Lilyana Bekic

(74) *Attorney, Agent, or Firm* — Morris, Manning & Martin, LLP; Daniel E. Sineway, Esq.

(57) **CLAIM**

The ornamental design for a mask ventilation assist device, as shown and described.

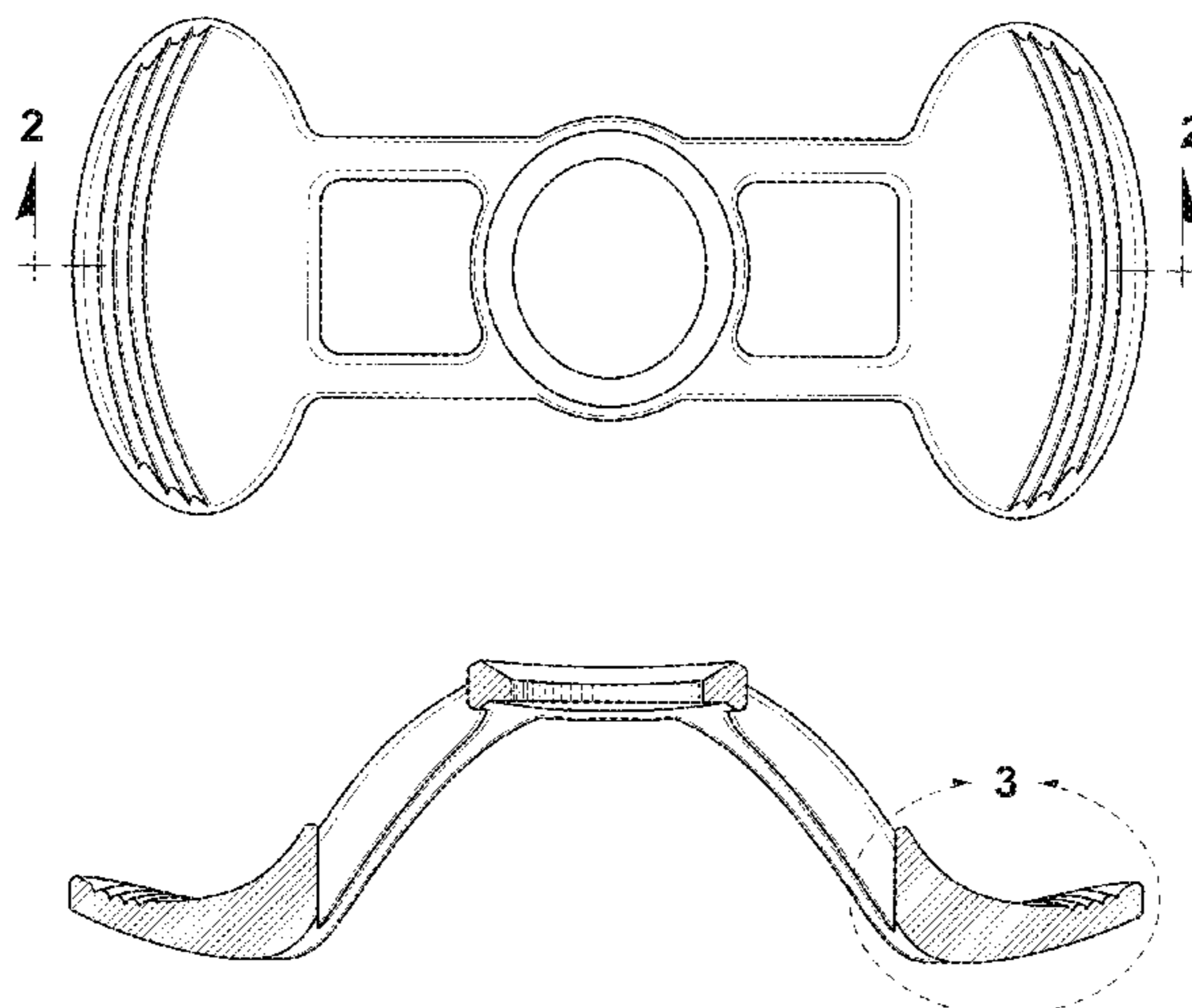
DESCRIPTION

FIG. 1 is a top view of a mask ventilation assist device, showing my new design;

FIG. 2 is a cross-sectional view taken along line 2-2 of FIG. 1; and,

FIG. 3 is an enlarged view of the portion encircled in FIG. 2.

1 Claim, 1 Drawing Sheet



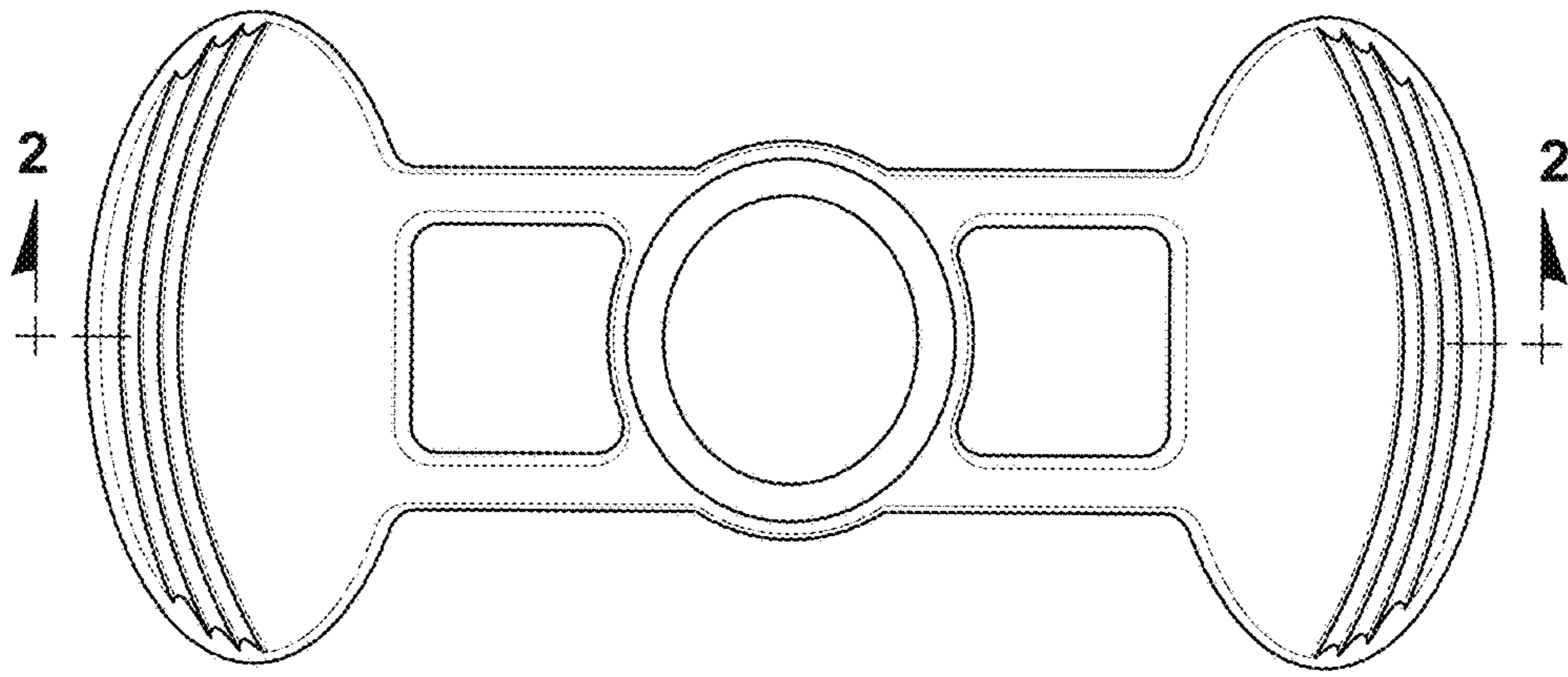


FIG. 1

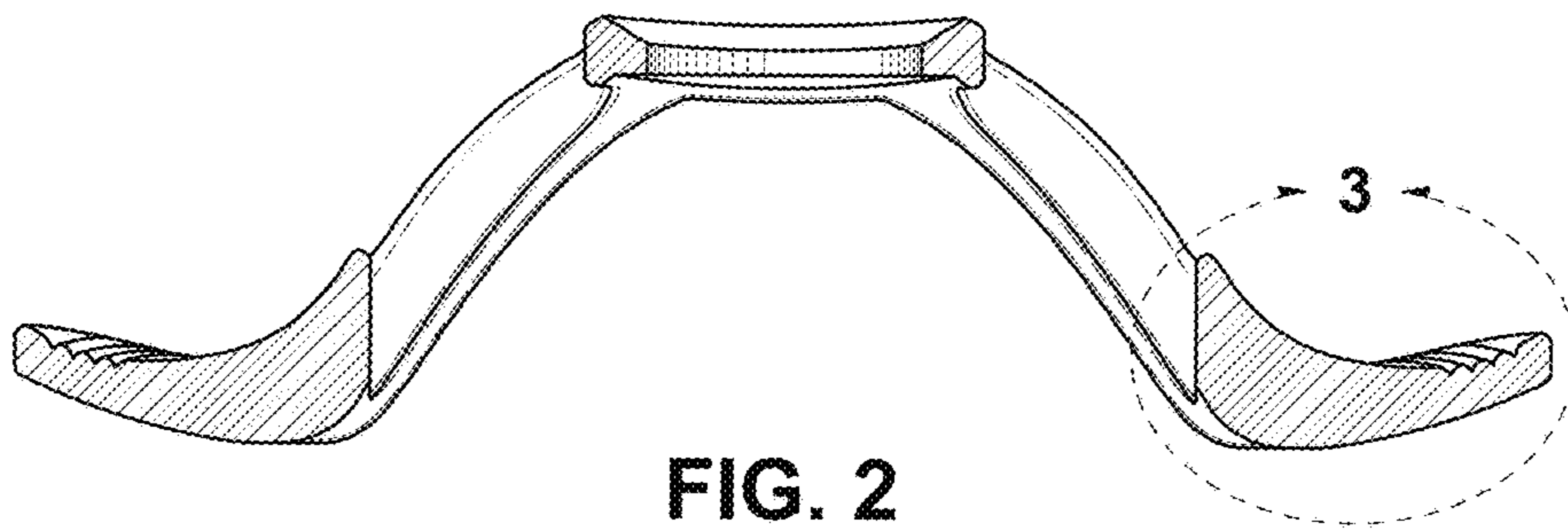


FIG. 2

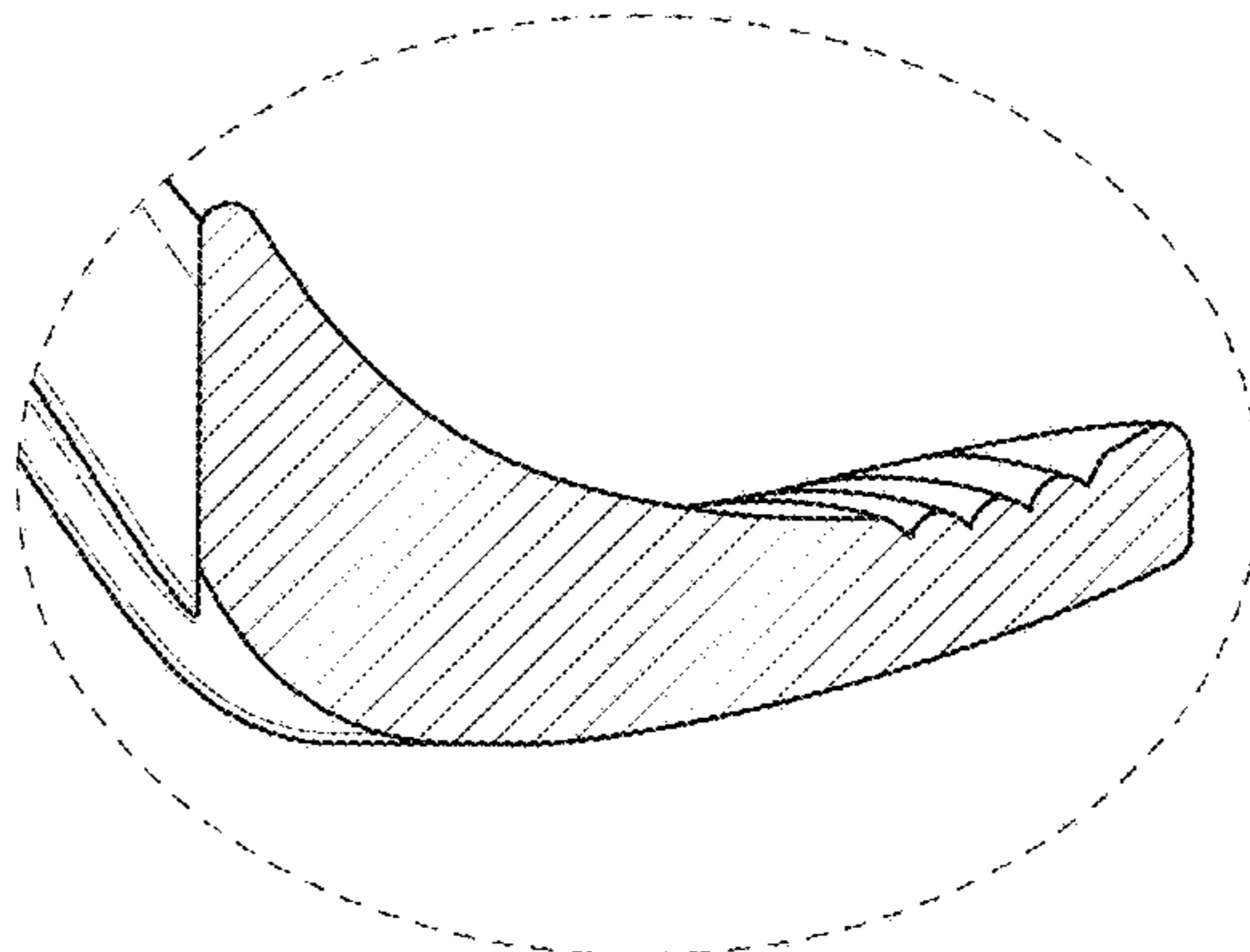


FIG. 3