

US00D862681S

(12) **United States Design Patent** (10) **Patent No.:** **US D862,681 S**
Sutton et al. (45) **Date of Patent:** **** Oct. 8, 2019**

(54) **BREAST PUMP**

D578,203 S * 10/2008 Bizup D24/108
D737,165 S * 8/2015 Bjorklund D10/113.1
D744,086 S * 11/2015 Yamashita D24/109
D747,992 S * 1/2016 Kalinowski D10/114.2

(71) Applicant: **DAO Health**, El Dorado Hills, CA (US)

* cited by examiner

(72) Inventors: **Ben Sutton**, Scotts Valley, CA (US);
Dave Paul, Scotts Valley, CA (US);
Dan Garbez, El Dorado Hills, CA (US)

Primary Examiner — Karen E Kearney

Assistant Examiner — Aula Soroush

(73) Assignee: **DAO Health**, El Dorado Hills, CA (US)

(74) *Attorney, Agent, or Firm* — Rockman Videbeck & O'Connor

(**) Term: **15 Years**

(57) **CLAIM**

The ornamental design for a breast pump, as shown and described.

(21) Appl. No.: **29/582,218**

(22) Filed: **Oct. 26, 2016**

DESCRIPTION

(51) **LOC (12) Cl.** **24-02**

(52) **U.S. Cl.**
USPC **D24/109**

(58) **Field of Classification Search**
USPC D24/108, 109, 127; D9/500, 549;
604/74-76; D14/203.2-203.7; D13/168
CPC A61M 1/062; A61M 1/06; A61M 1/066;
A61M 1/064; A61J 9/00; A61J 9/001
See application file for complete search history.

FIG. 1 is a front perspective view of a first embodiment showing our new design with an attachment clip;
FIG. 2 is a rear elevation view thereof;
FIG. 3 is a front elevation view thereof;
FIG. 4 is a right side elevation view thereof;
FIG. 5 is a left side elevation view thereof;
FIG. 6 is a top plan view thereof;
FIG. 7 is a bottom plan view thereof;
FIG. 8 is a front perspective view of a second embodiment showing our new design without an attachment clip;
FIG. 9 is a rear elevation view thereof;
FIG. 10 is a front elevation view thereof;
FIG. 11 is a right side elevation view thereof;
FIG. 12 is a left side elevation view thereof;
FIG. 13 is a top plan view thereof; and,
FIG. 14 is a bottom plan view thereof.

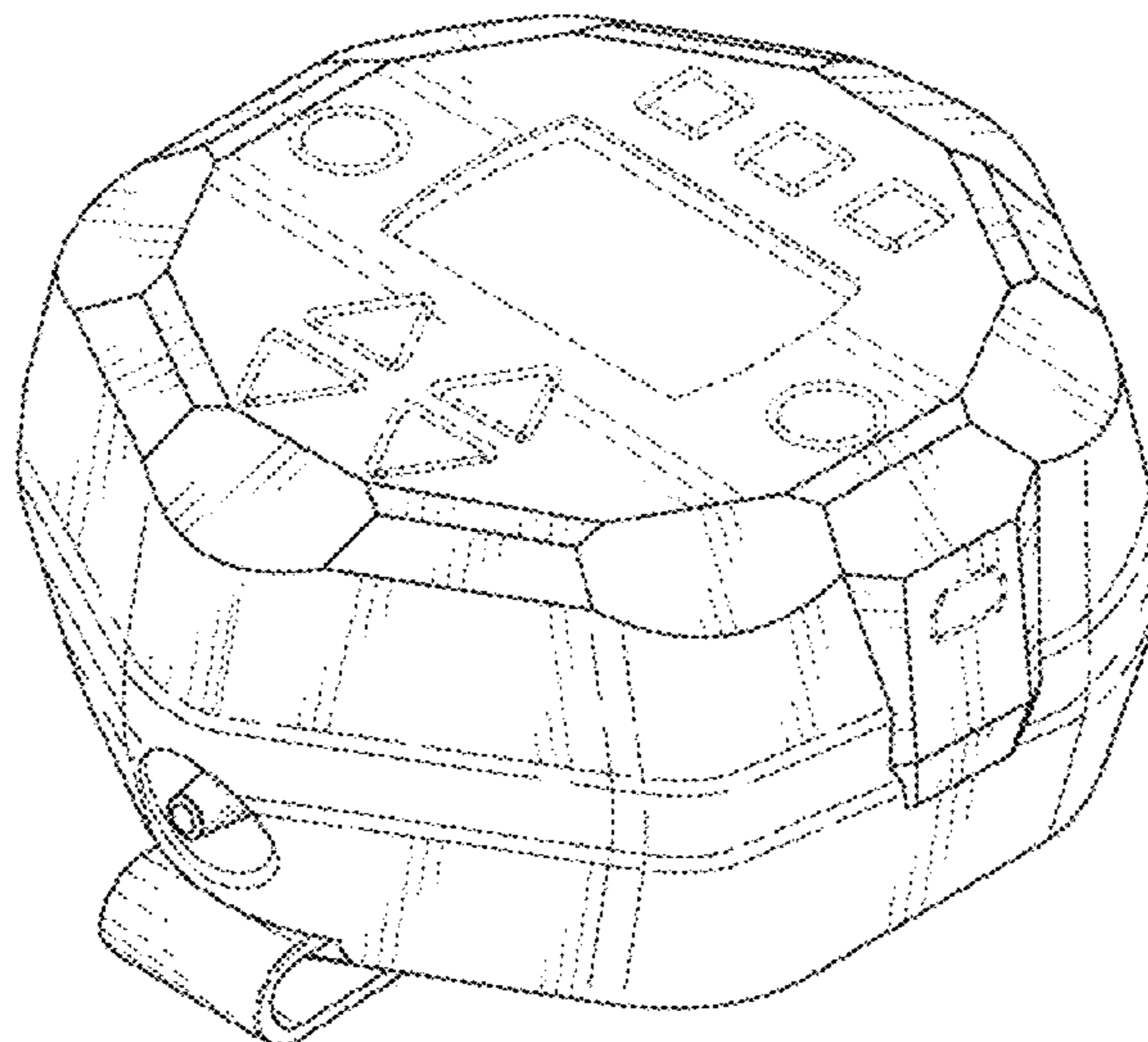
(56) **References Cited**

U.S. PATENT DOCUMENTS

3,535,442 A * 10/1970 Jennings G08B 13/1963
348/151
D226,032 S * 1/1973 Siesholtz D16/203
D337,637 S * 7/1993 Tucker D24/108
D367,434 S * 2/1996 Feldman D10/106.5
D396,820 S * 8/1998 Wallace D10/106.5
D484,970 S * 1/2004 Renz D24/109
D496,005 S * 9/2004 Wang D13/168
D546,440 S * 7/2007 Burnside D24/108

The broken lines in the drawings depict portions of the breast pump that form no part of the claimed design.

1 Claim, 8 Drawing Sheets



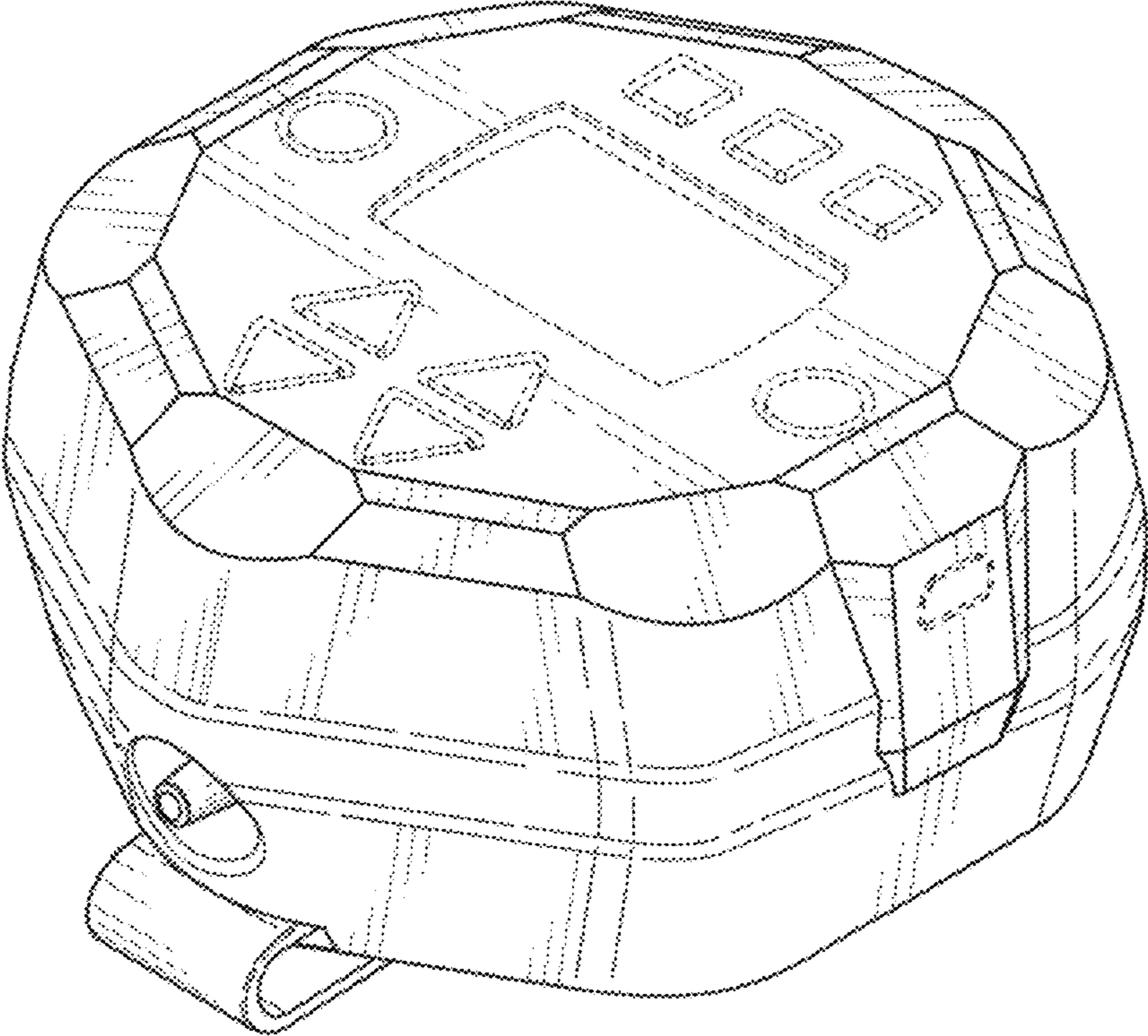


FIG. 1

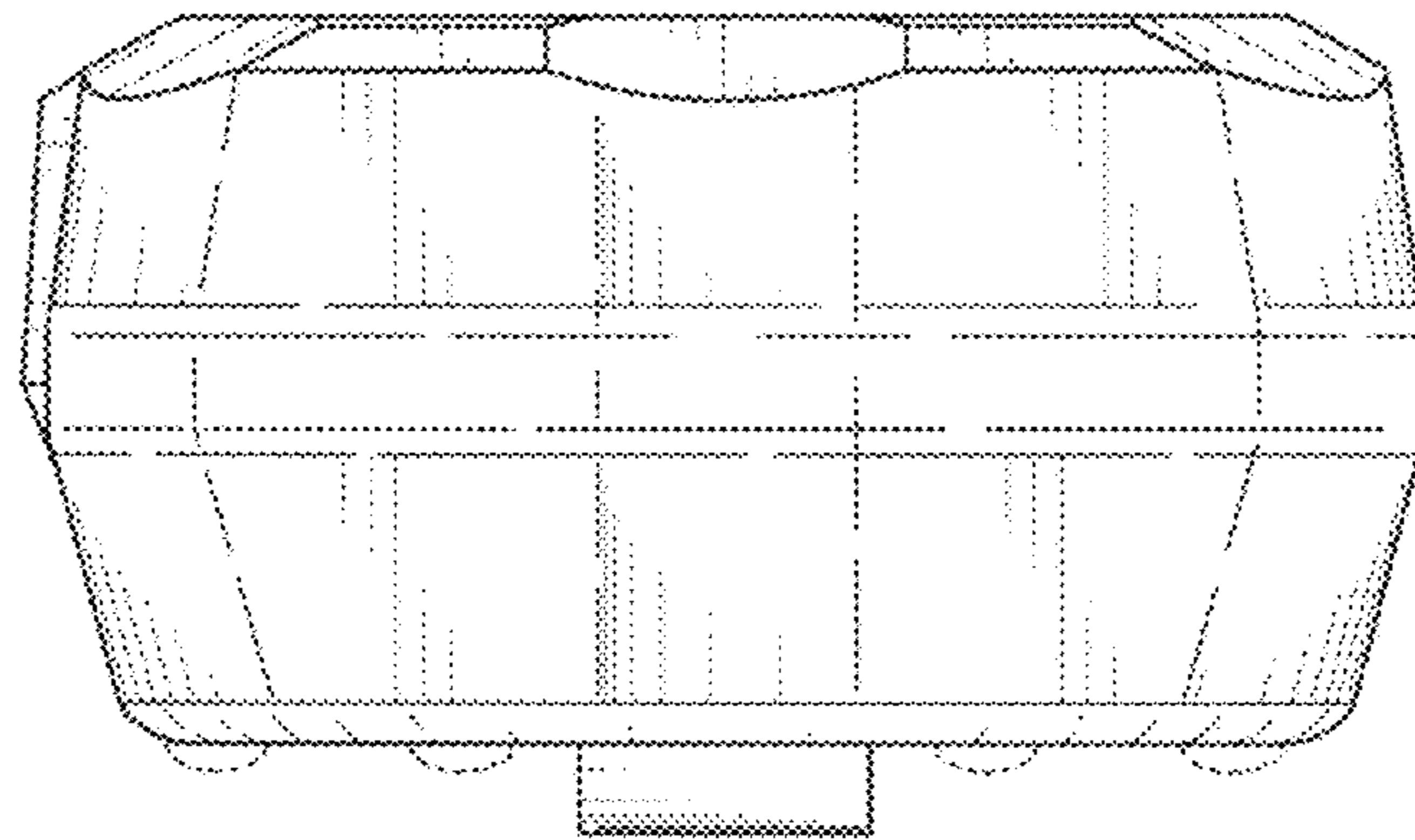


FIG. 2

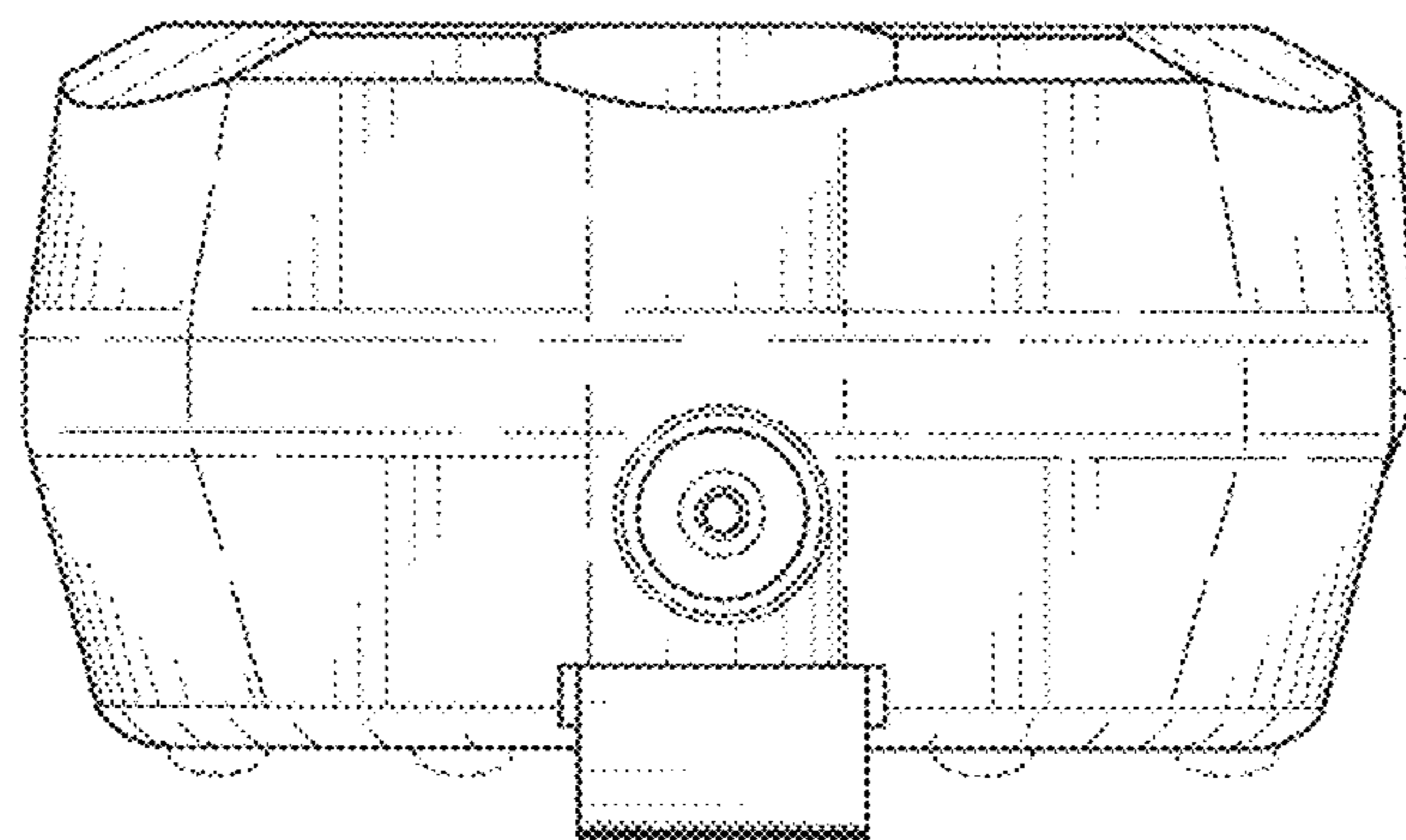


FIG. 3

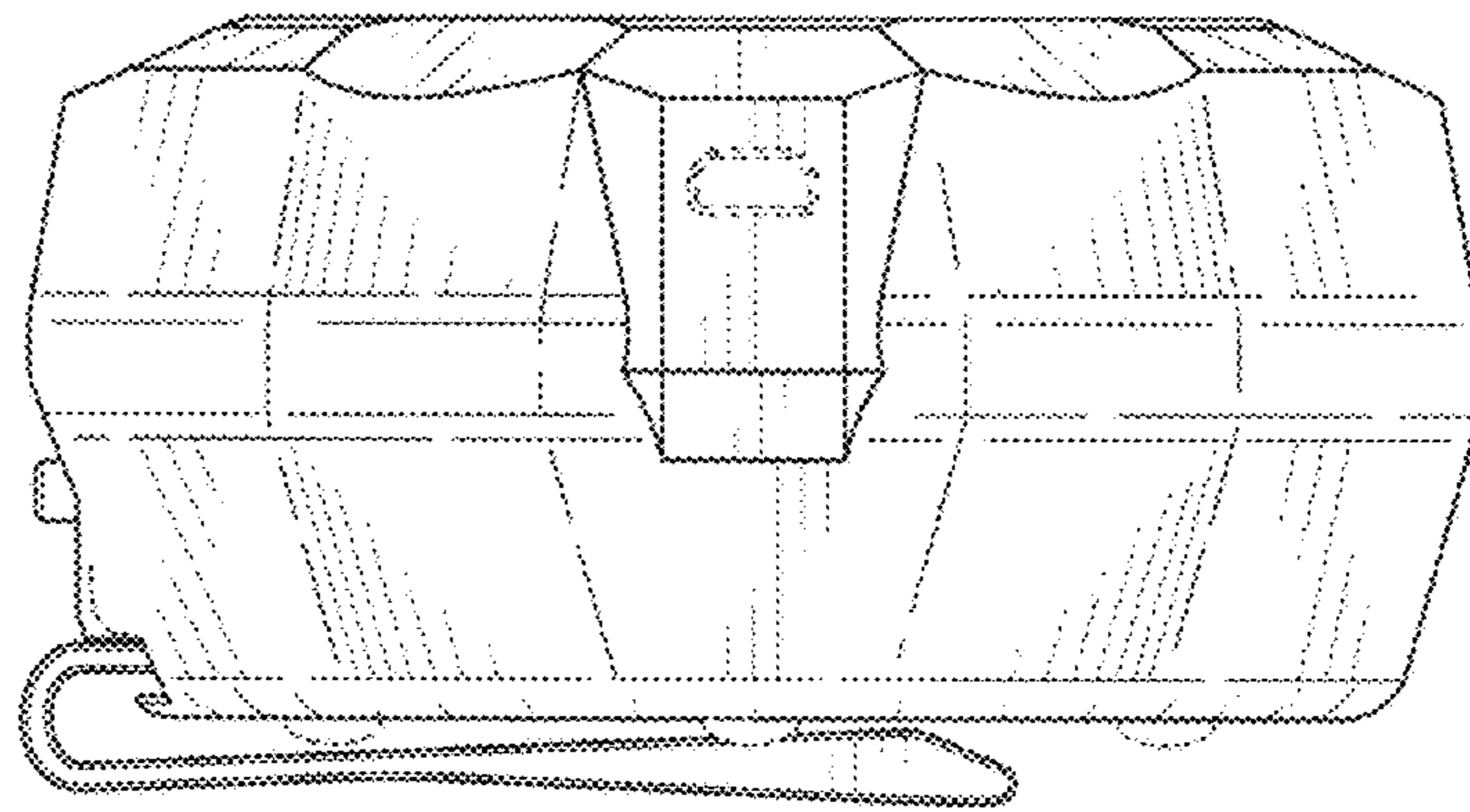


FIG. 4

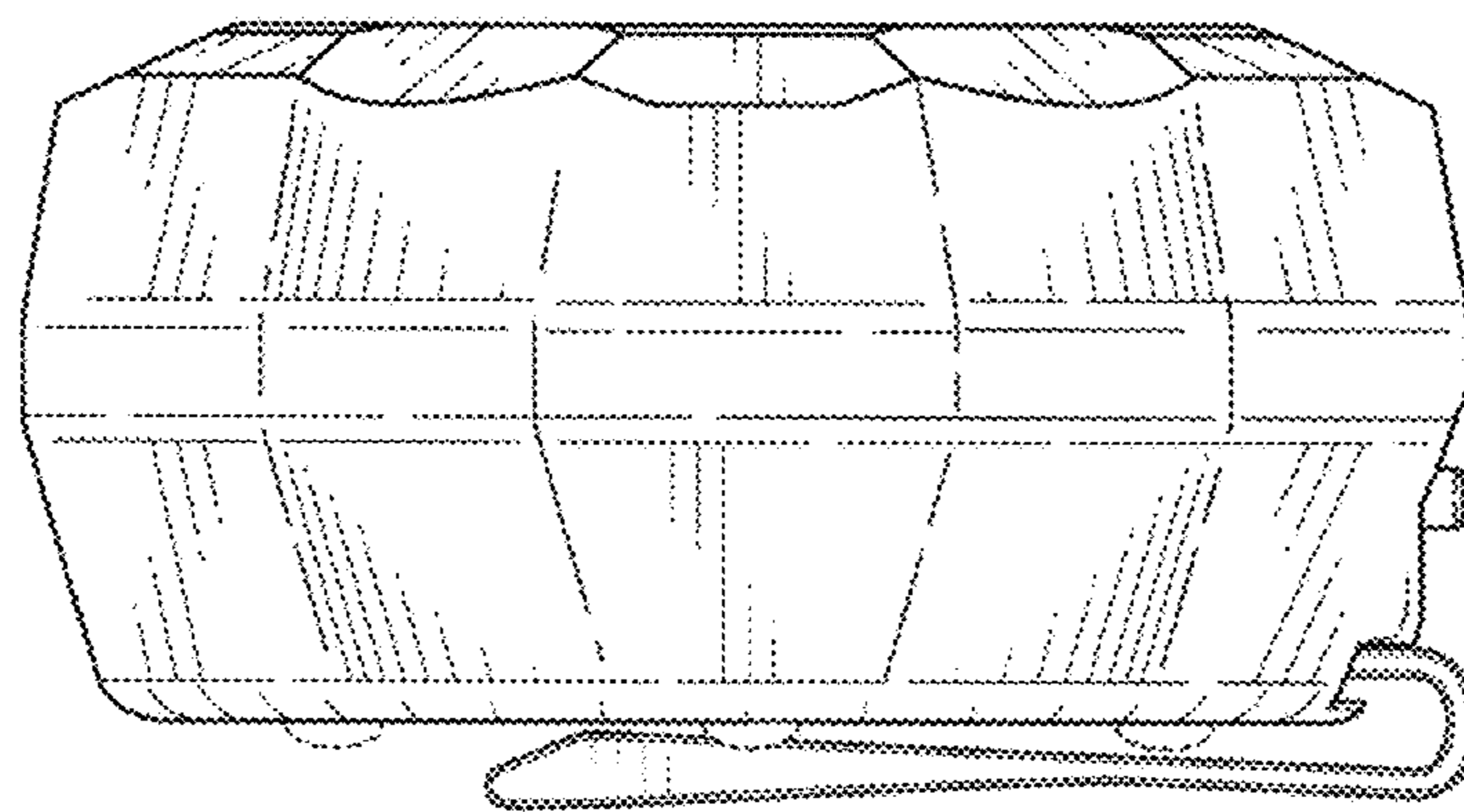


FIG. 5

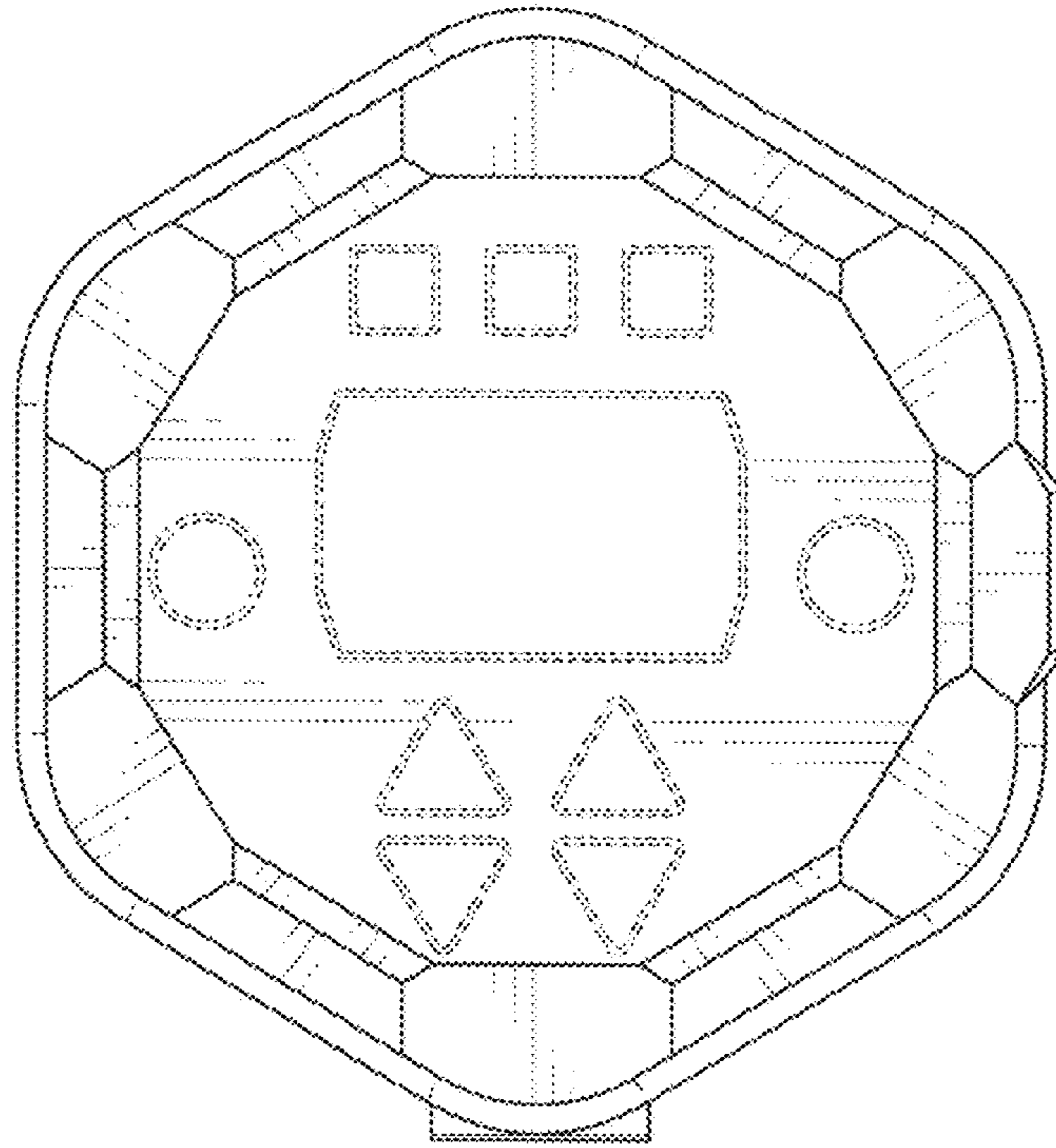


FIG. 6

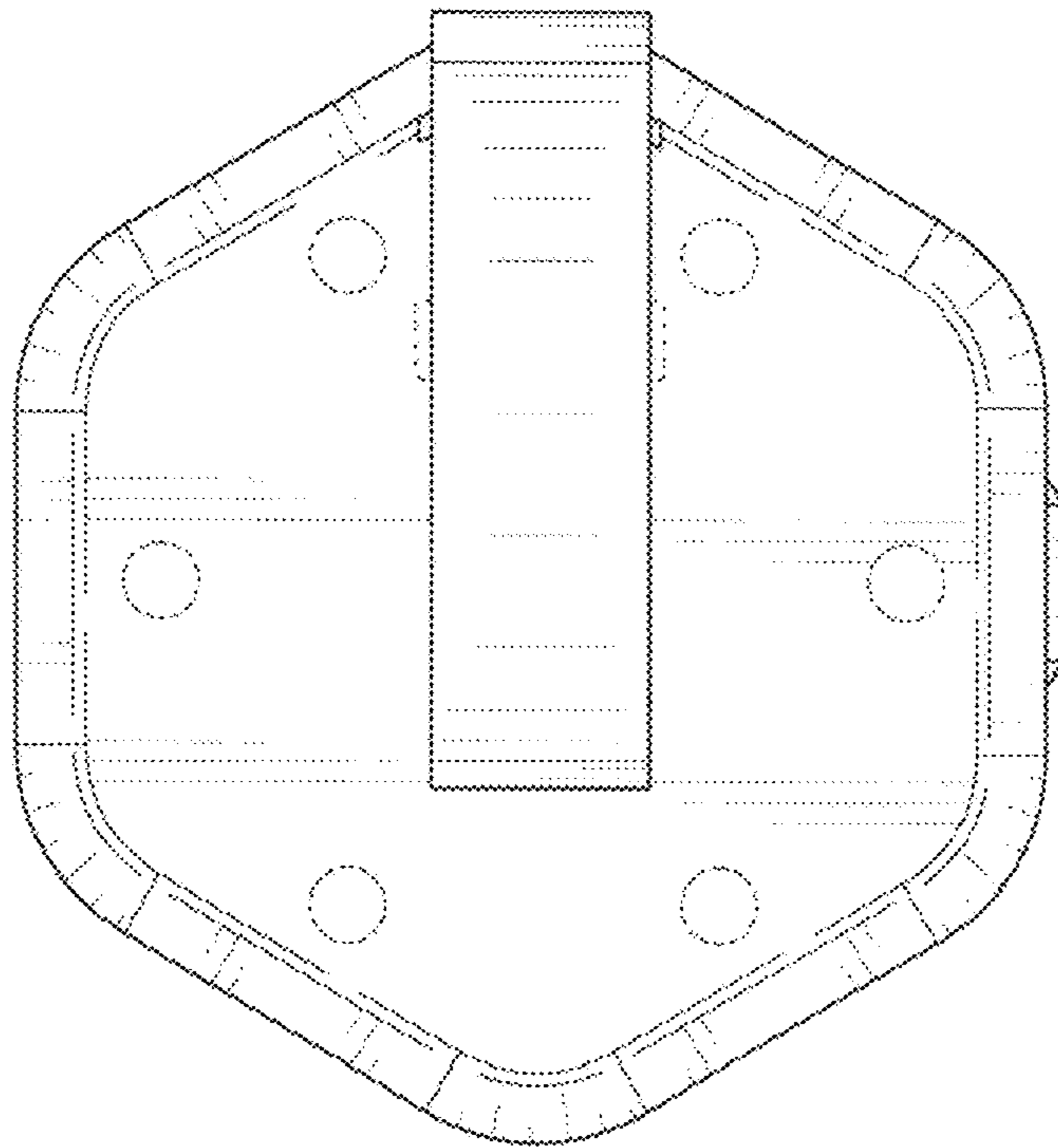


FIG. 7

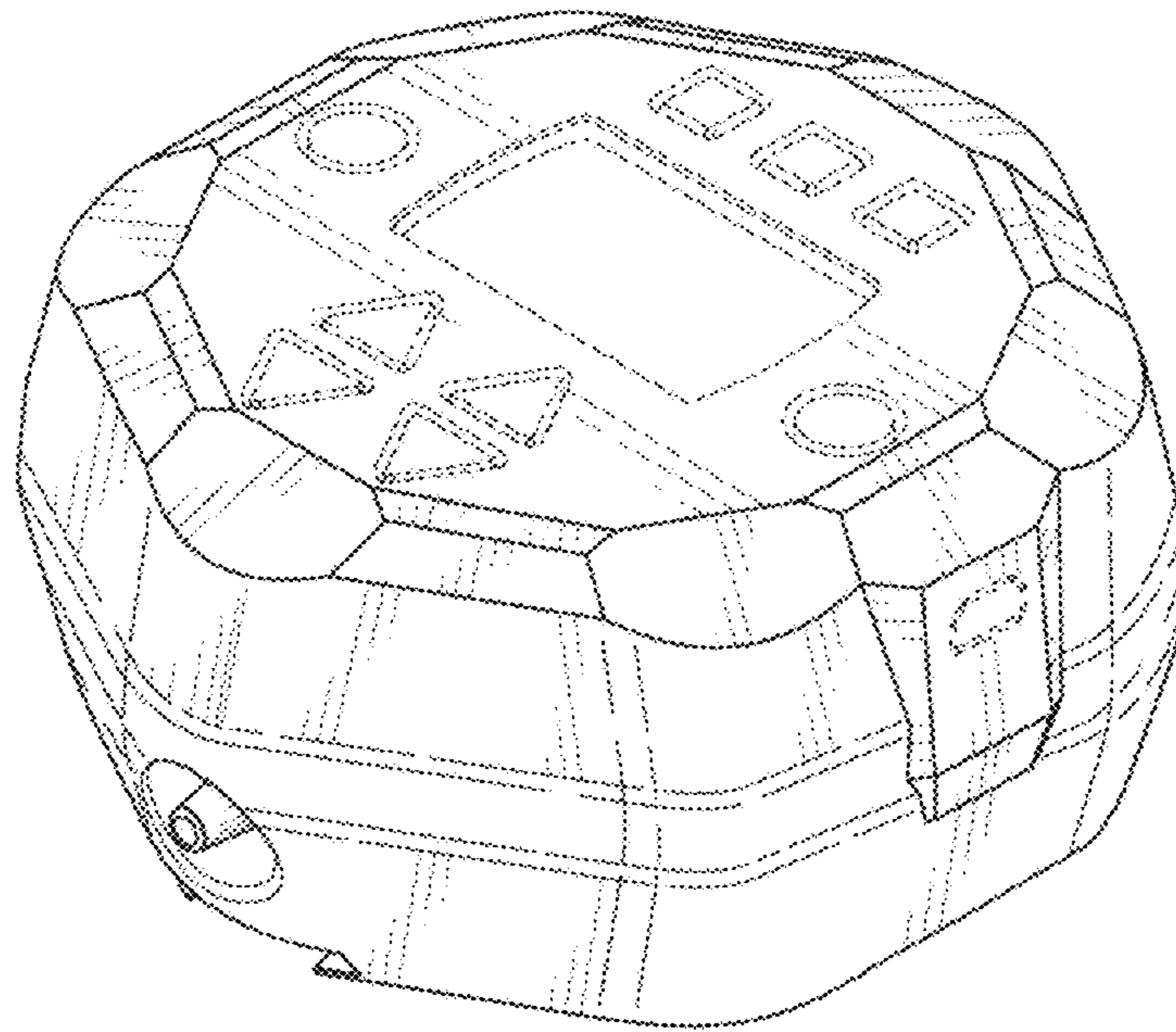


FIG. 8

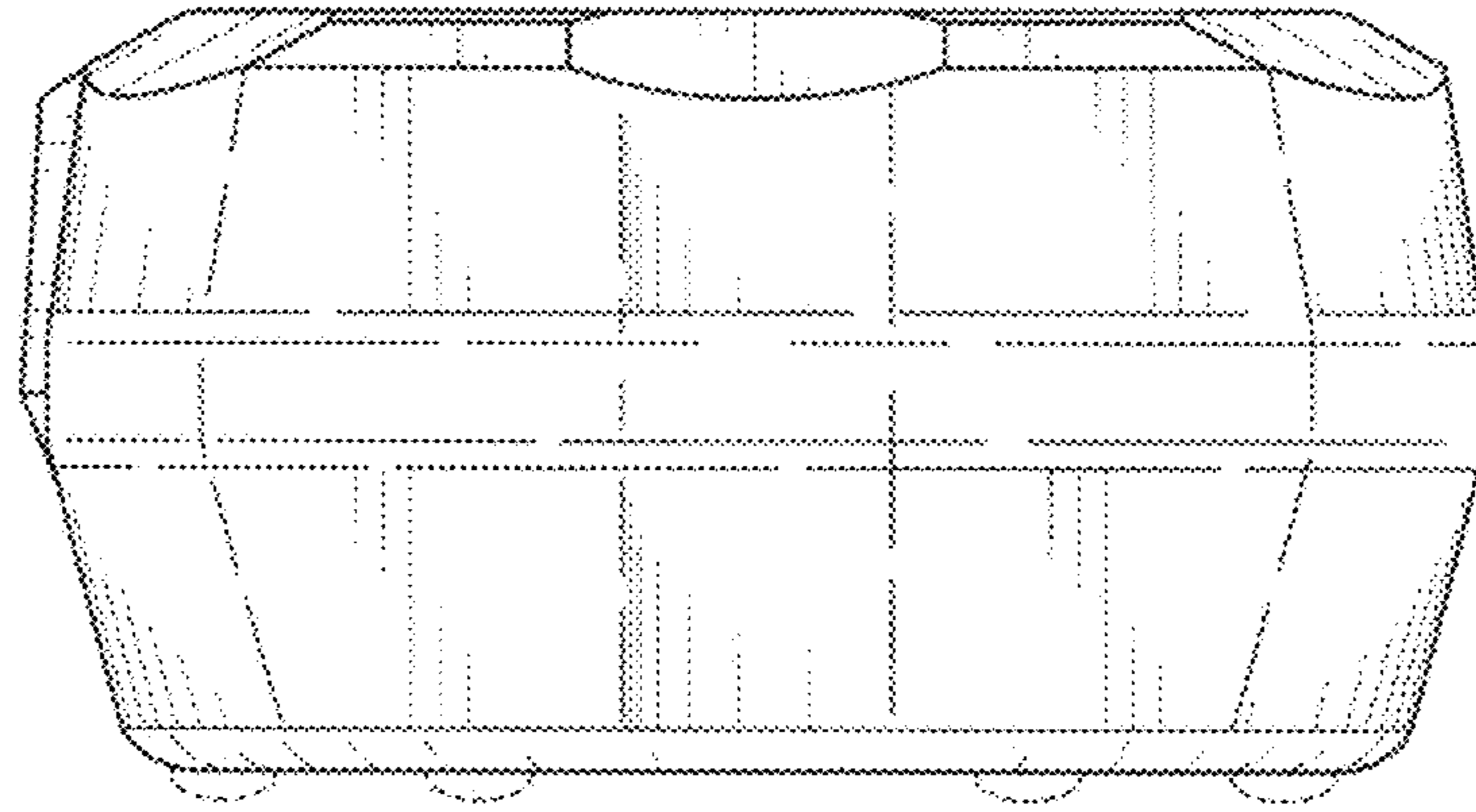


FIG. 9

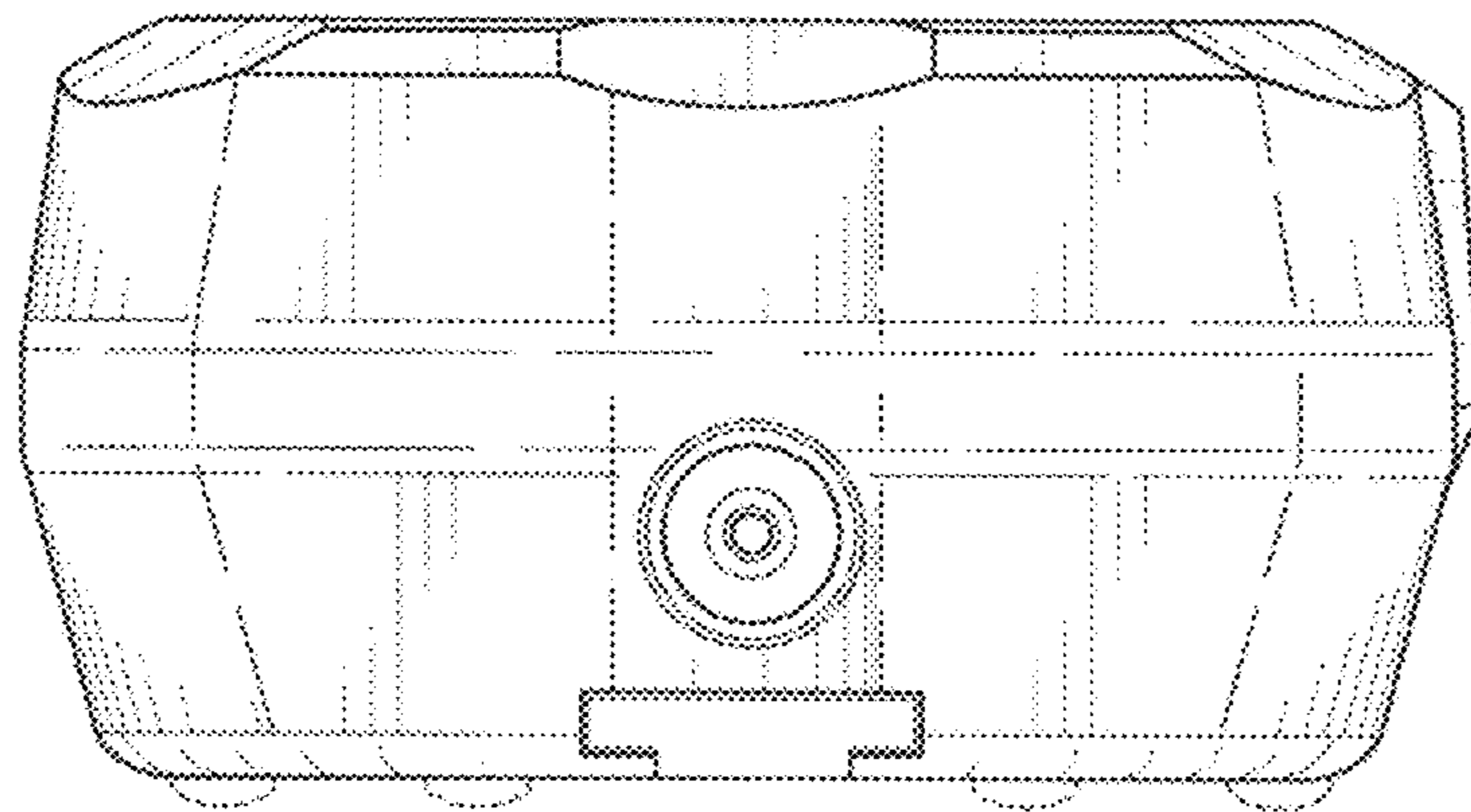


FIG. 10

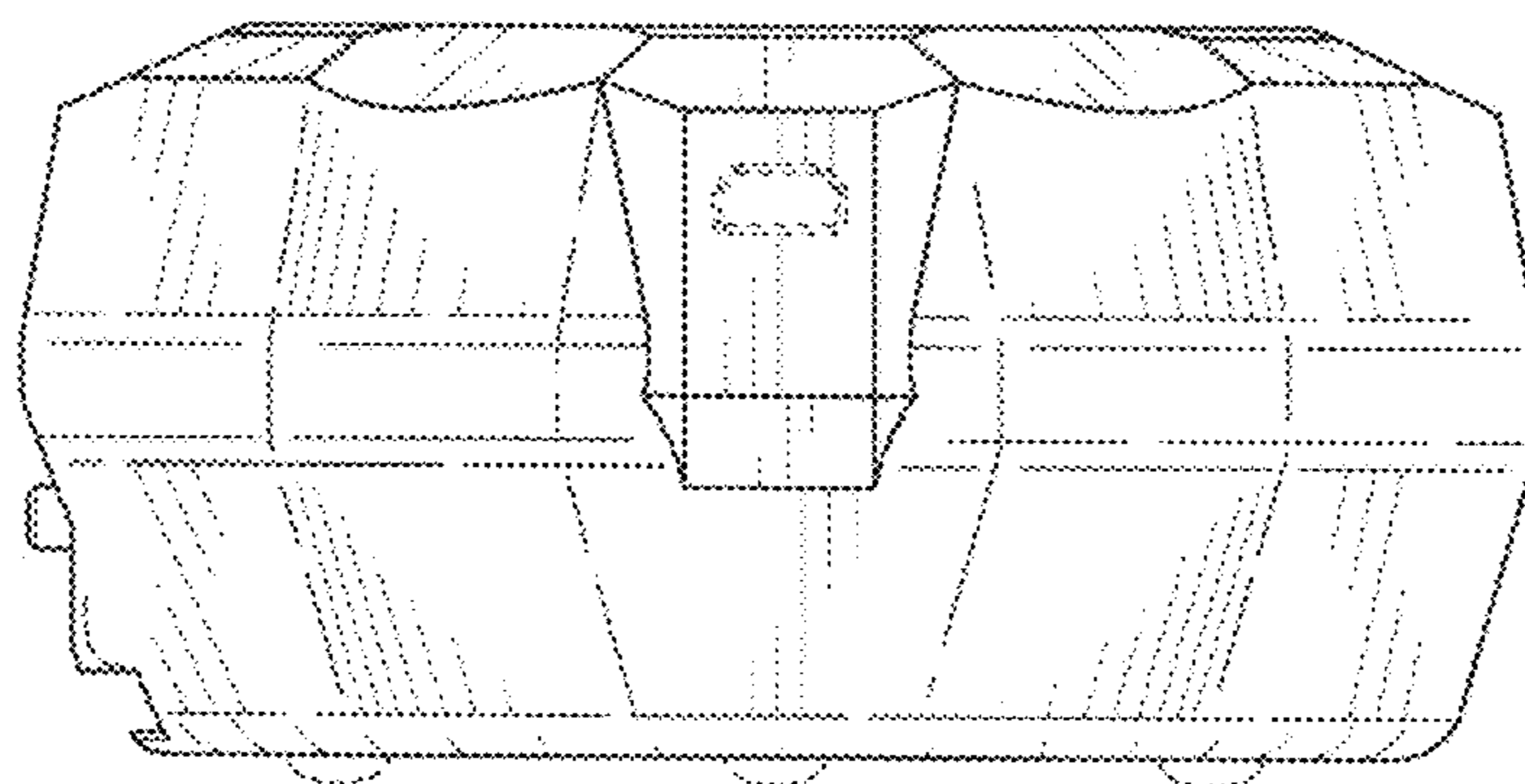


FIG. 11

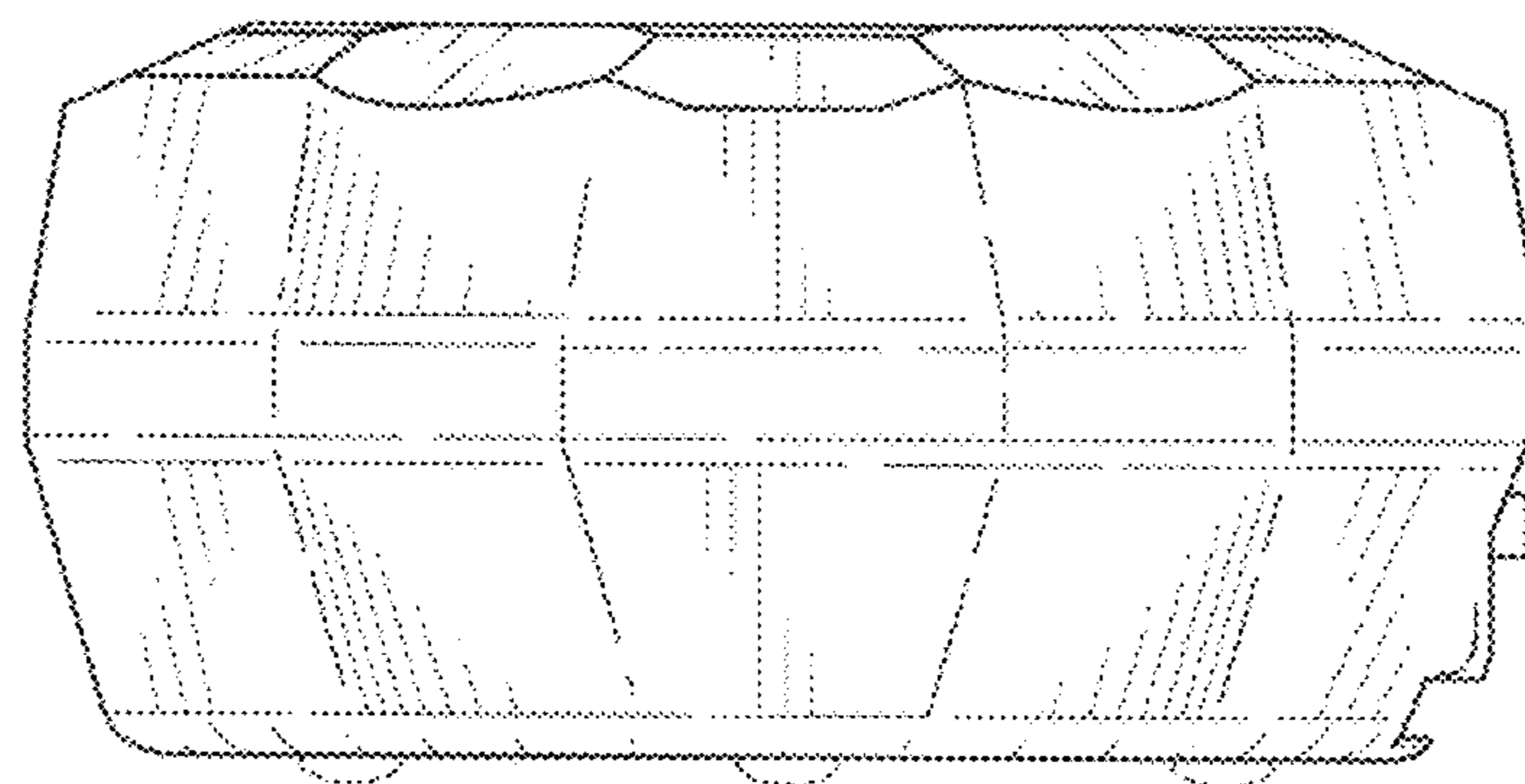


FIG. 12

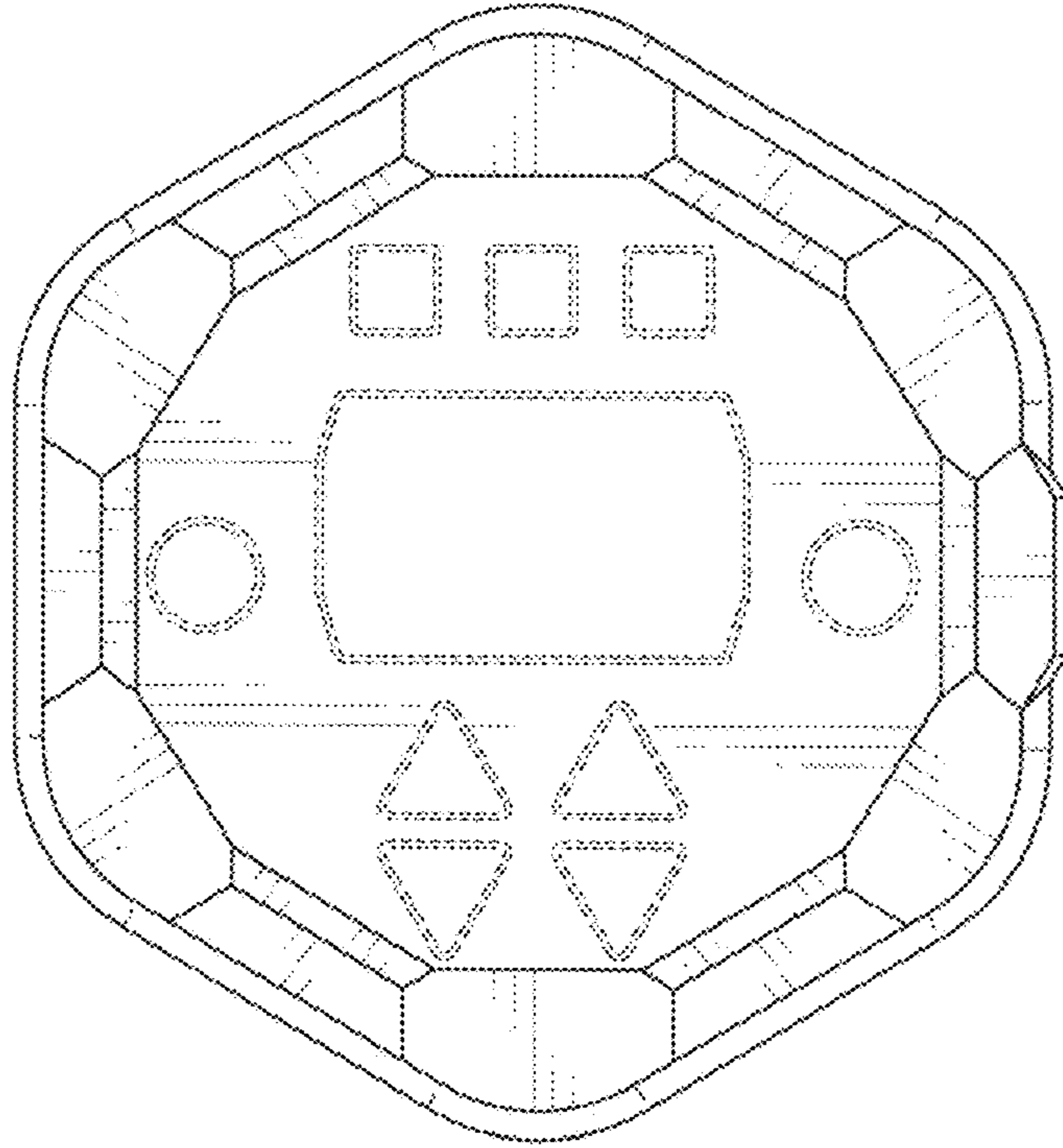


FIG. 13

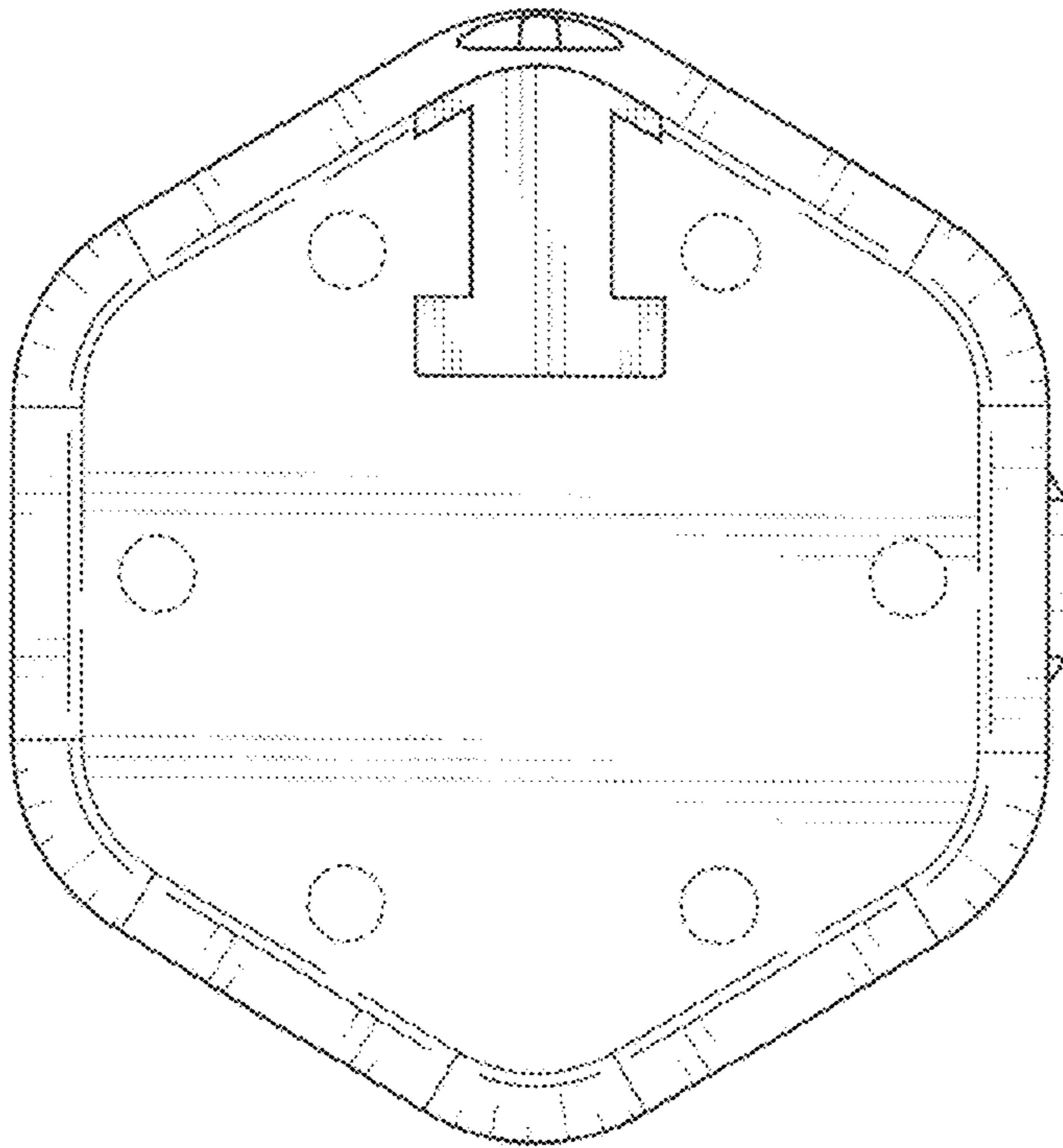


FIG. 14