

US00D862679S

(12) **United States Design Patent**
Zhou

(10) **Patent No.:** **US D862,679 S**

(45) **Date of Patent:** **** Oct. 8, 2019**

(54) **FASHION SPORT FAN**

(71) Applicant: **Guo Jun Zhou**, Wuyuan (CN)

(72) Inventor: **Guo Jun Zhou**, Wuyuan (CN)

(**) Term: **15 Years**

(21) Appl. No.: **29/697,193**

(22) Filed: **Jul. 5, 2019**

(51) **LOC (12) Cl.** **23-04**

(52) **U.S. Cl.**
USPC **D23/380**

(58) **Field of Classification Search**
USPC D23/332, 370, 380, 381, 377, 379, 385,
D23/411; D14/205, 206
CPC F04D 25/088; F21V 33/0096
See application file for complete search history.

(56) **References Cited**

U.S. PATENT DOCUMENTS

5,304,035	A *	4/1994	Carter	F04D 25/084 224/258
D372,772	S *	8/1996	Dubois	D23/332
D387,150	S *	12/1997	Coonahan	D23/332
D408,905	S *	4/1999	Hadjikyriacou	D23/378
D464,420	S *	10/2002	Tolar	D23/382
D478,975	S *	8/2003	Gajewski	D23/377
6,666,647	B1 *	12/2003	Trask	F04D 25/08 224/258
D489,443	S *	5/2004	Gajewski	D23/377
D489,809	S *	5/2004	Gajewski	D23/411
D490,146	S *	5/2004	Gajewski	D23/377
D529,167	S *	9/2006	Radtke	D23/380
D599,458	S *	9/2009	Love	D23/377
D674,476	S *	1/2013	Junkel	D23/370
D731,999	S *	6/2015	Cepress	D14/205
D766,869	S *	9/2016	Lee	D14/205
D781,815	S *	3/2017	Choi	D14/205
D808,510	S *	1/2018	Gajewski	D23/377
D820,811	S *	6/2018	Kim	D14/205

D824,363	S *	7/2018	Oh	D14/206
D824,364	S *	7/2018	Kim	D14/206
D841,796	S *	2/2019	Freeland	D23/382
D848,597	S *	5/2019	Gajewski	D23/370
D851,060	S *	6/2019	Lu	D14/205
D851,061	S *	6/2019	Zeng	D14/205
D853,351	S *	7/2019	Ott	D14/205
D853,987	S *	7/2019	Kelley	D14/205
D855,035	S *	7/2019	Lin	D14/205
2017/0370596	A1 *	12/2017	Lee	F04D 17/16

OTHER PUBLICATIONS

https://www.amazon.com/Hand-Free-Mini-USB-Personal/dp/B07RMHGJS1/ref=cm_cr_ar_p_d_product_top?ie=UTF8 Customer Review on Amazon.com Jun. 24, 2019, WOWGO Hand Free Mini USB Personal Fan (Year: 2019).*

https://www.amazon.com/biukpci-Rechargeable-Adjustable-Headphone-Household/dp/B07RV7PT4N/ref=cm_cr_ar_p_d_product_top?ie=UTF8 Customer review on Amazon.com Jun. 12, 2019, BIUKPCI Mini Hand Free Personal Fan USB (Year: 2019).*

(Continued)

Primary Examiner — Janice Hallmark

(57) **CLAIM**

The ornamental design for a fashion sport fan, as shown and described.

DESCRIPTION

FIG. 1 is a perspective view of a fashion sport fan showing my new design;
 FIG. 2 is a front elevational view thereof;
 FIG. 3 is a rear elevational view thereof;
 FIG. 4 is a left side elevational view thereof;
 FIG. 5 is a right side elevational view thereof;
 FIG. 6 is a top plan view thereof; and,
 FIG. 7 is a bottom plan view thereof.
 The broken lines in the drawings depict portions of the fashion sport fan that form no part of the claimed design.

1 Claim, 7 Drawing Sheets



(56)

References Cited

OTHER PUBLICATIONS

https://www.amazon.com/Leipple-Neck-Portable-Neckband-Charging/dp/B07T9M8HQM/ref=cm_cr_arp_d_product_top?ie=UTF8 Customer review on Amazon.com Jul. 5, 2019, Leipple Neck Fan Portable Neckband Fan (Year: 2019).*

Aochol Personal Neckband Fan, Headphone Design Wearable Portable Neckband Mini USB Fan, Hand Free Neck Double Fans 3 Speed Adjustable for Home Office Traveling(White), Retrieved Jun. 28, 2019]. Retrieved from Internet, <https://www.amazon.com/Aochol-Personal-Headphone-Adjustable-Traveling/dp/B07R6PV5DP/>.

TOA Small Fan Portable Fans Portable Mini Portable Fan Hands Free Fan USB Charging Fan Neck Fan Easy to Adjust Direction. Suitable for Jogging, Cycling, Outdoor, Working, Traveling (White), Retrieved Jun. 28, 2019]. Retrieved from Internet, 2. <https://www.amazon.com/Portable-Charging-Direction-Suitable-Traveling/dp/B07R4CPZ8Y/>.

Hands-Free Neckband Fan, Hand Free Personal Fan, Headphone Design Wearable Portable USB Rechargeable Neckband Mini Fan (3 Speeds, 5-10 Working Hours) Black, Retrieved Jun. 28, 2019], Retrieved from Internet, https://www.amazon.com/Hands-Free-Neckband-Personal-Headphone-Rechargeable/dp/B07QLHCM56/ref=sr_1_24?.

Guseng 2019 Hands-Free Neck Band Hanging USB Rechargeable Dual Fan Mini Air Cooler Summer Portable Level 3 Wind Large Battery Capacity (White), Retrieved Jun. 28, 2019], Retrieved from Internet, <https://www.amazon.com/GUSENG-Hands-Free-Rechargeable-Portable-Capacity/cip/B07SD12NP7/>.

Portable USB Rechargeable Battery Mini Hand Free Fan—Headphone Design Wearable Neckband Fan Necklace Fan Cooler Fan with Dual Wind Head—Fan for Home, Office, Travel, Camping-Blue, Retrieved Jun. 28, 2019]. Retrieved from Internet, <https://www.amazon.com/Portable-Rechargeable-Battery-Mini-Hand/dp/B07SQV38R2/>.

* cited by examiner



FIG. 1



FIG. 2



FIG. 3

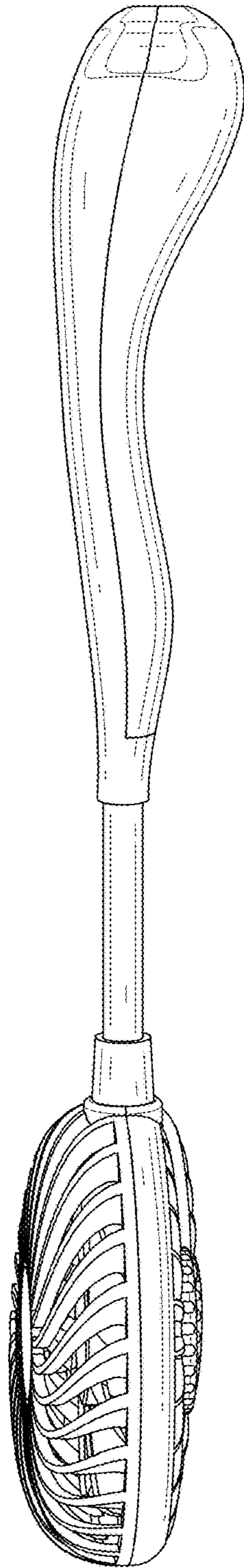


FIG. 4

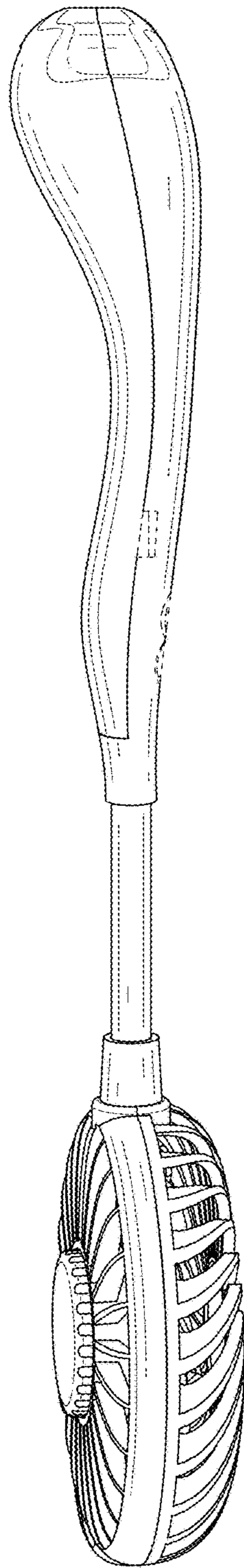


FIG. 5

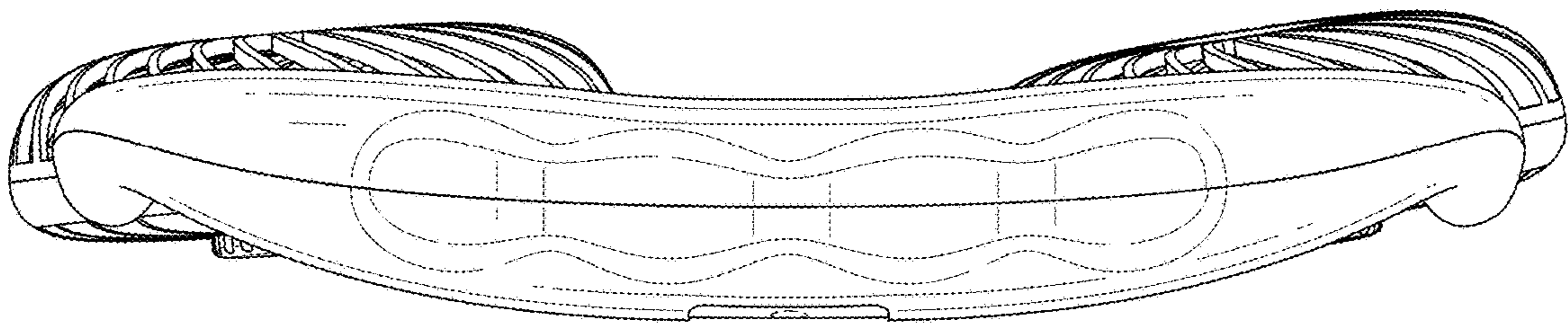


FIG. 6

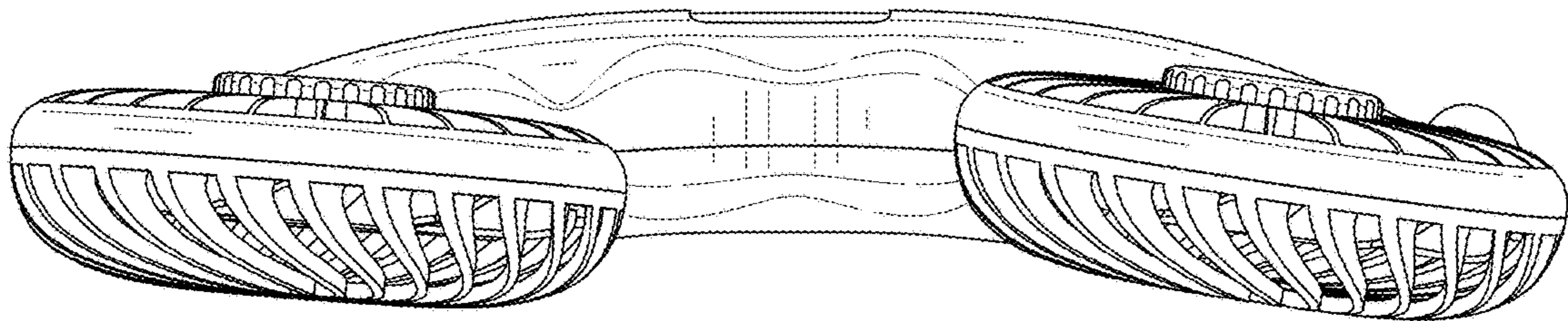


FIG. 7