



US00D862675S

(12) **United States Design Patent**
Shin et al.

(10) **Patent No.:** **US D862,675 S**
(45) **Date of Patent:** **** Oct. 8, 2019**

(54) **AIR PURIFIER**

(71) Applicant: **Samsung Electronics Co., Ltd.**,
Suwon-si (KR)

(72) Inventors: **Young-Sun Shin**, Seoul (KR);
Kang-Doo Kim, Seoul (KR);
Dong-Hyuk Uim, Seoul (KR)

(73) Assignee: **Samsung Electronics Co., Ltd.**,
Suwon-si (KR)

(**) Term: **15 Years**

(21) Appl. No.: **29/654,620**

(22) Filed: **Jun. 26, 2018**

(30) **Foreign Application Priority Data**

Jan. 4, 2018 (KR) 30-2018-0000743

(51) **LOC (12) Cl.** **23-04**

(52) **U.S. Cl.**
USPC **D23/364**

(58) **Field of Classification Search**
USPC D23/355-366, 352, 369, 332, 333, 335,
D23/336, 342, 351; 422/120, 122;
(Continued)

(56) **References Cited**

U.S. PATENT DOCUMENTS

D185,748 S * 7/1959 Goettl D23/333
D291,350 S * 8/1987 Sherman D23/335
(Continued)

FOREIGN PATENT DOCUMENTS

DM 085251 2/2014
DM 091010 5/2016
(Continued)

OTHER PUBLICATIONS

Youtube.com, Introducing Samsung Cube: Modular Air Purifier
with IoT(KR), Feb. 27, 2018, <https://www.youtube.com/watch?v=KXYWjGoLzo4>.*

Primary Examiner — David G Muller

Assistant Examiner — Nathan M Johnston

(74) *Attorney, Agent, or Firm* — NSIP Law

(57) **CLAIM**

We claim the ornamental design for an air purifier, as shown
and described.

DESCRIPTION

FIG. 1 is a front perspective view of an air purifier showing
our new design;

FIG. 2 is a front view thereof;

FIG. 3 is a rear view thereof;

FIG. 4 is a left-side view thereof;

FIG. 5 is a right-side view thereof;

FIG. 6 is a top view thereof;

FIG. 7 is a bottom view thereof;

FIG. 8 is another perspective view thereof in which the air
purifier is shown with the front cover in an open position;

FIG. 9 is a front view of FIG. 8;

FIG. 10 is a rear view of FIG. 8;

FIG. 11 is a left-side view of FIG. 8;

FIG. 12 is a right-side of FIG. 8;

FIG. 13 is a top view of FIG. 8;

FIG. 14 is a bottom view of FIG. 8;

FIG. 15 is an enlarged view of the encircled portion in FIG.
11

FIG. 16 is an enlarged view of the encircled portion in FIG.
13; and,

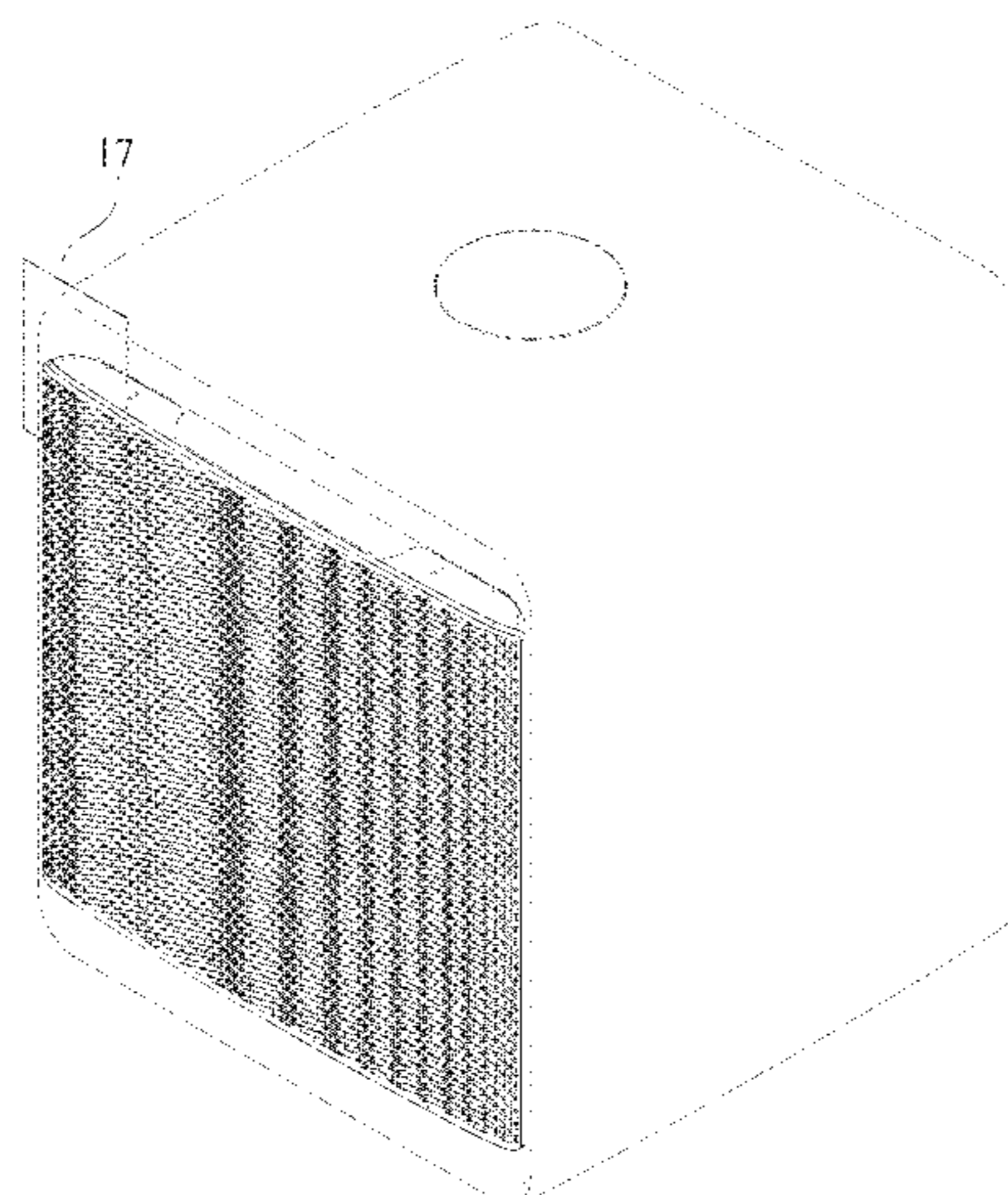
FIG. 17 is an enlarged view of the encircled portion in FIG.
1.

The evenly spaced broken lines in the figures depict portions
of the air purifier which form no part of the claimed design.

The uneven dot-dash broken lines illustrating portions of the
figures define the boundary of the claimed design and form
no part thereof.

The dot-dot-dash broken lines encircling portions of the
claimed design that are illustrated in enlargements form no
part of the claimed design.

1 Claim, 17 Drawing Sheets



(58) **Field of Classification Search**

USPC 55/356, 473, 504; 96/97; D14/188, 170,
 D14/172; 261/DIG. 17, DIG. 65,
 261/DIG. 88, DIG. 31; D18/34.6
 CPC .. A61L 9/16; A61L 9/22; B01D 47/00; B01D
 47/027; B01D 2221/02; B01D 2259/4508;
 B03C 3/155; B03C 3/368; F24F 3/16;
 F24F 13/20; F24F 13/28; F24F 3/1405;
 F24F 3/1603; F24F 13/222
 See application file for complete search history.

D518,160 S *	3/2006	Normark	D23/366
D534,636 S *	1/2007	David	D23/351
D534,637 S *	1/2007	David	D23/351
D542,265 S *	5/2007	Hussaini	D14/170
D548,315 S *	8/2007	Lin	D23/364
D561,168 S *	2/2008	Song	D14/188
D570,464 S *	6/2008	Normark	D23/364
D575,382 S *	8/2008	Hammes	D23/364
D601,687 S *	10/2009	Chan	D23/364
D616,080 S *	5/2010	Ching	D23/332
D648,841 S *	11/2011	Lam	D23/364
D651,300 S *	12/2011	Xu	D23/342
D745,128 S *	12/2015	Farone	D23/355
D750,209 S *	2/2016	Satou	D23/364
D827,115 S *	8/2018	Petersen	D23/333
D838,354 S *	1/2019	Farone	D23/364
D838,824 S *	1/2019	Sun	D23/364

(56) **References Cited**

U.S. PATENT DOCUMENTS

D313,069 S *	12/1990	McCormick	D23/335
D319,498 S *	8/1991	Huang	D23/335
D326,514 S *	5/1992	Alsup, Jr.	D23/364
D327,423 S *	6/1992	Turner-Adams	D23/366
D361,828 S *	8/1995	Chen	D23/332
D397,196 S *	8/1998	Tsuji	D23/356
D497,420 S *	10/2004	Grey	D23/351

FOREIGN PATENT DOCUMENTS

EM	002440313-0002	4/2014
EM	003009539-0015	3/2016
JP	D1540286	12/2015

* cited by examiner

FIG.1

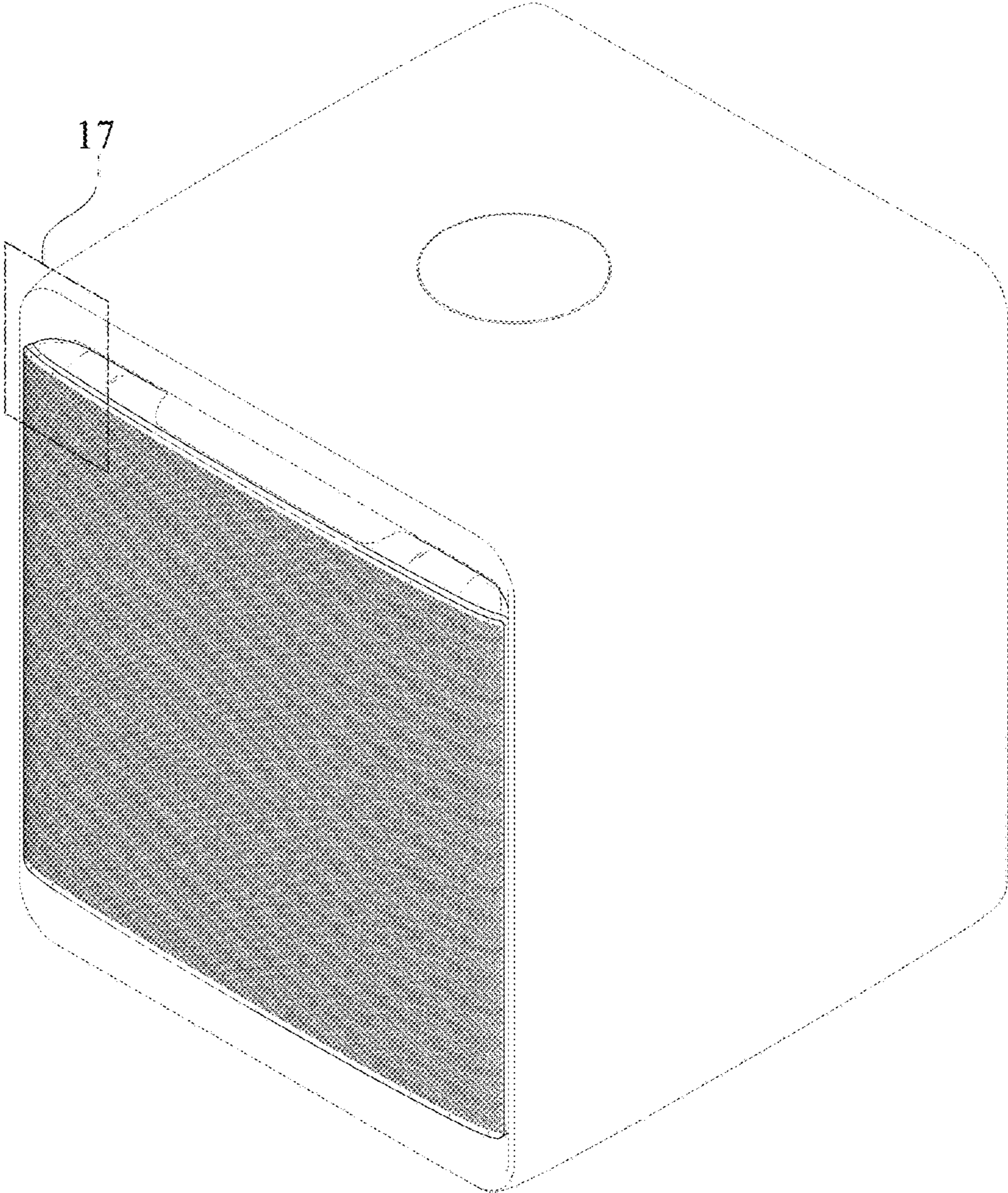


FIG. 2

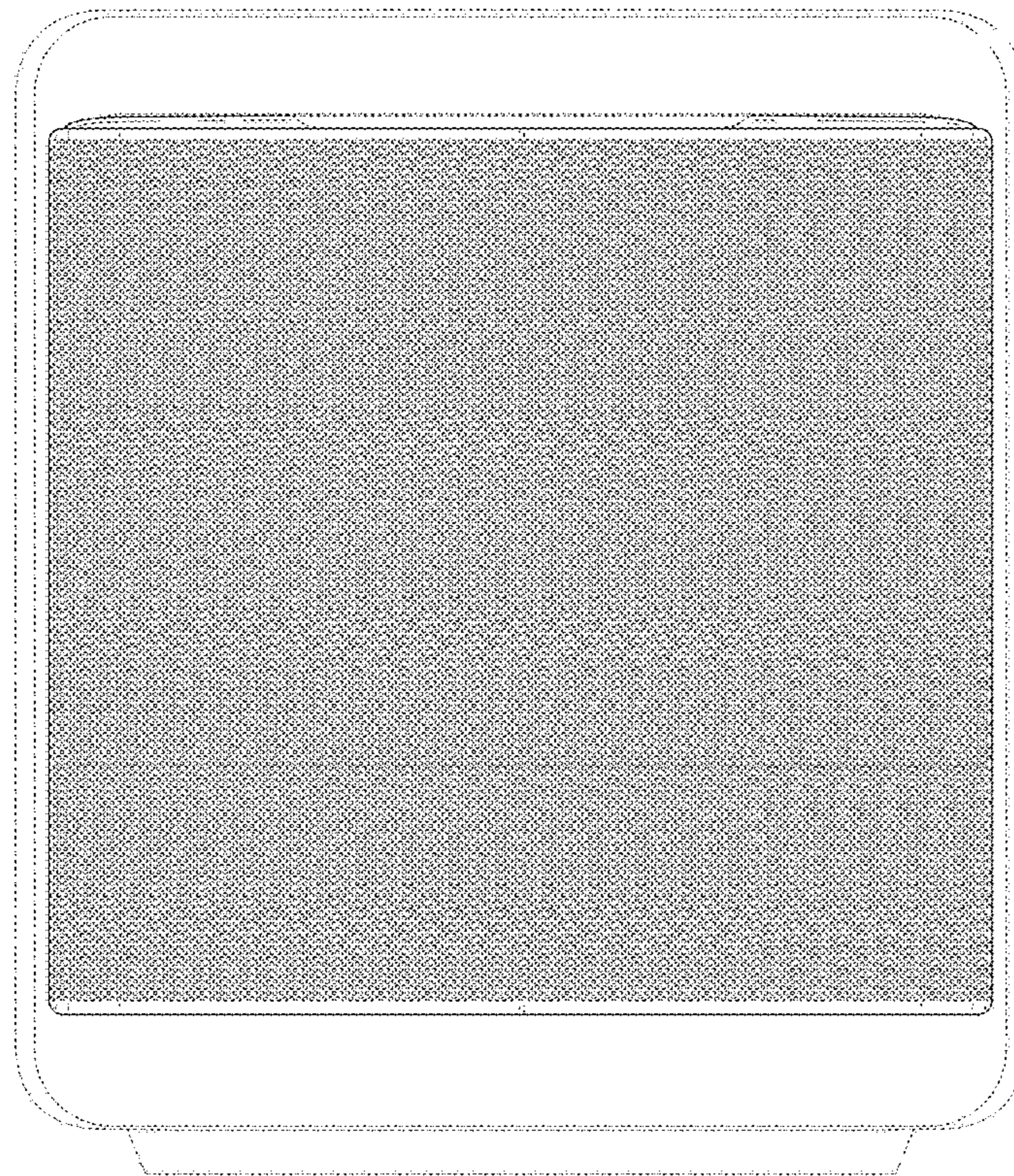


FIG. 3

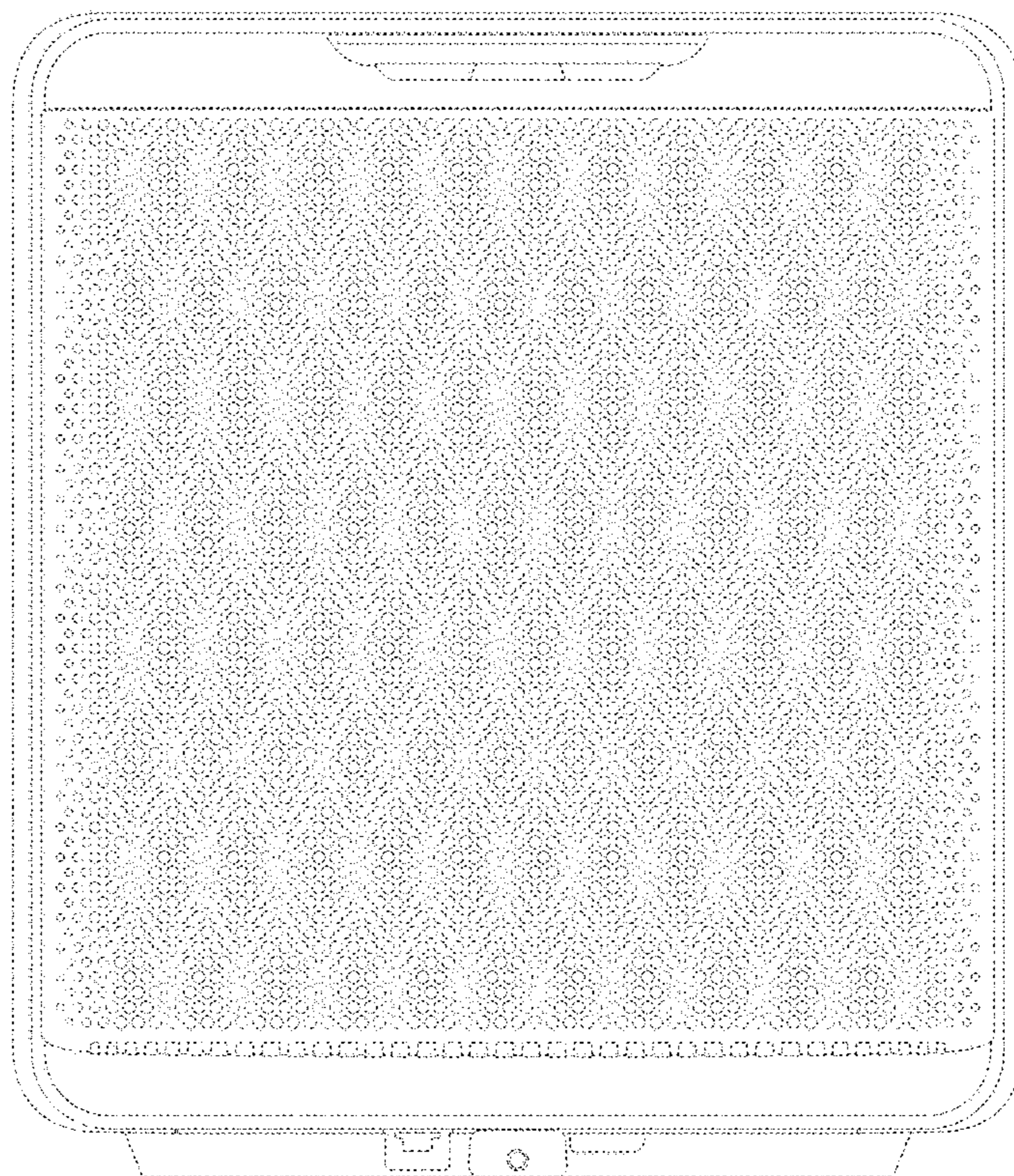


FIG. 4

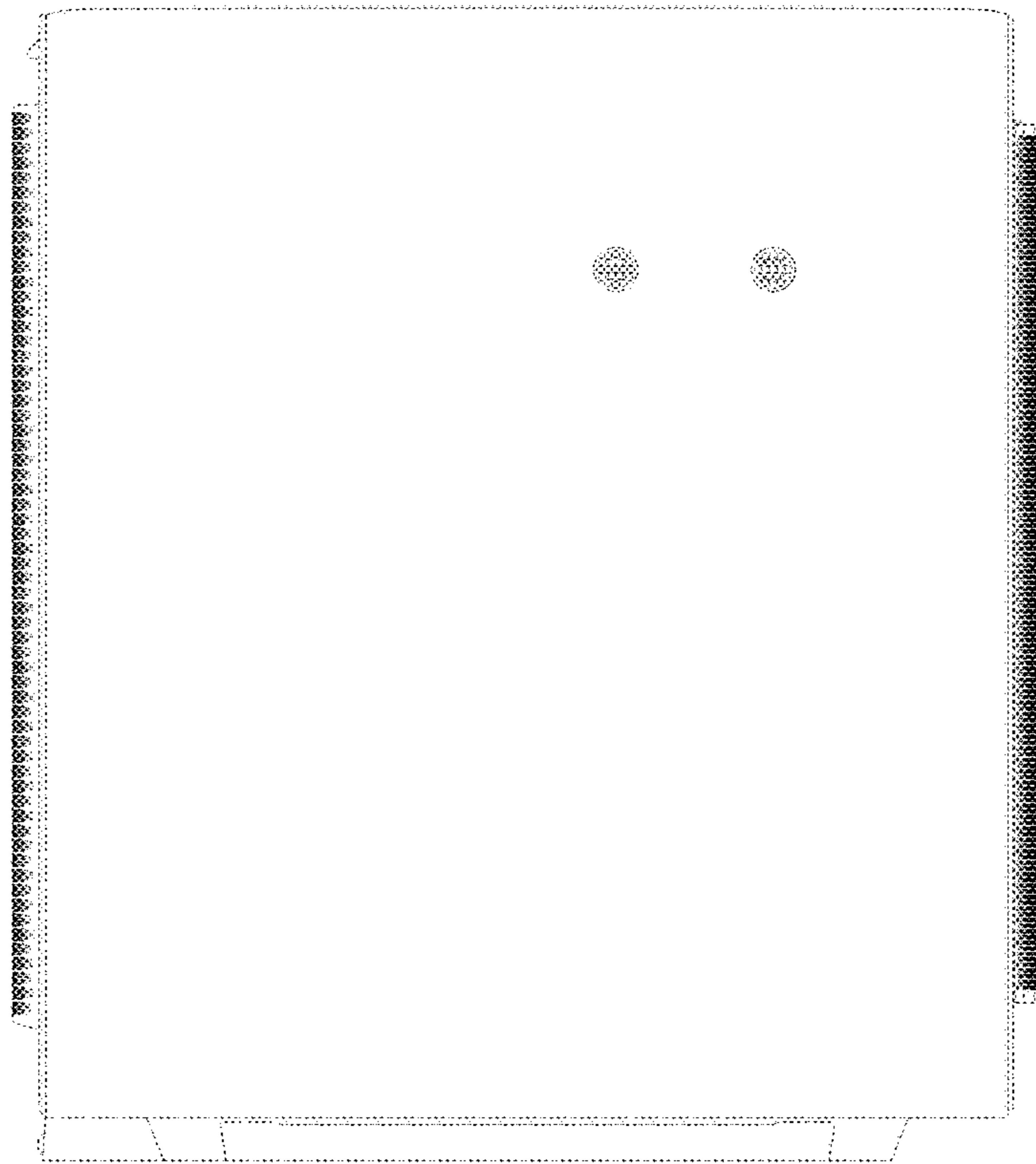


FIG. 5

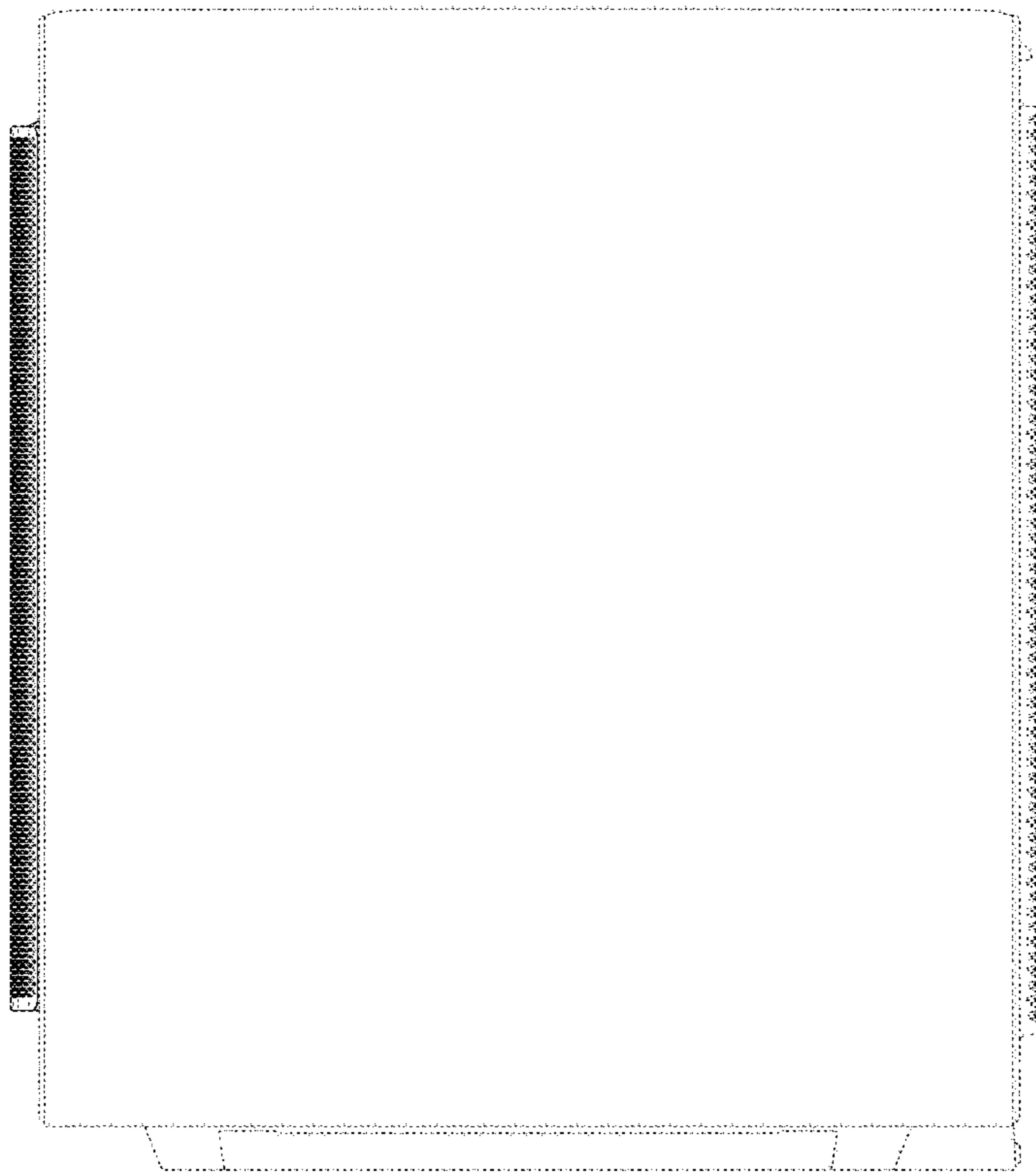


FIG. 6

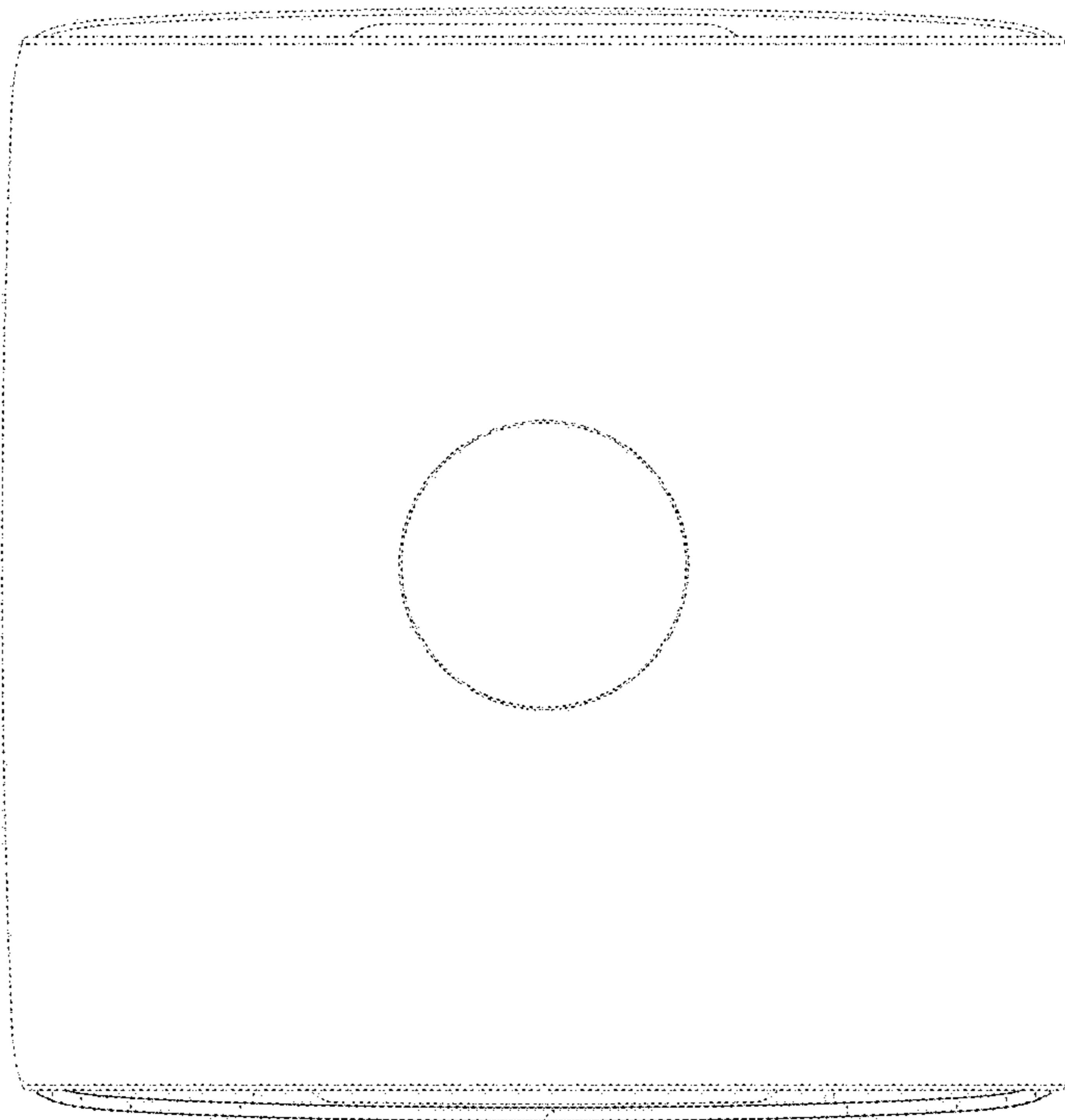


FIG. 7

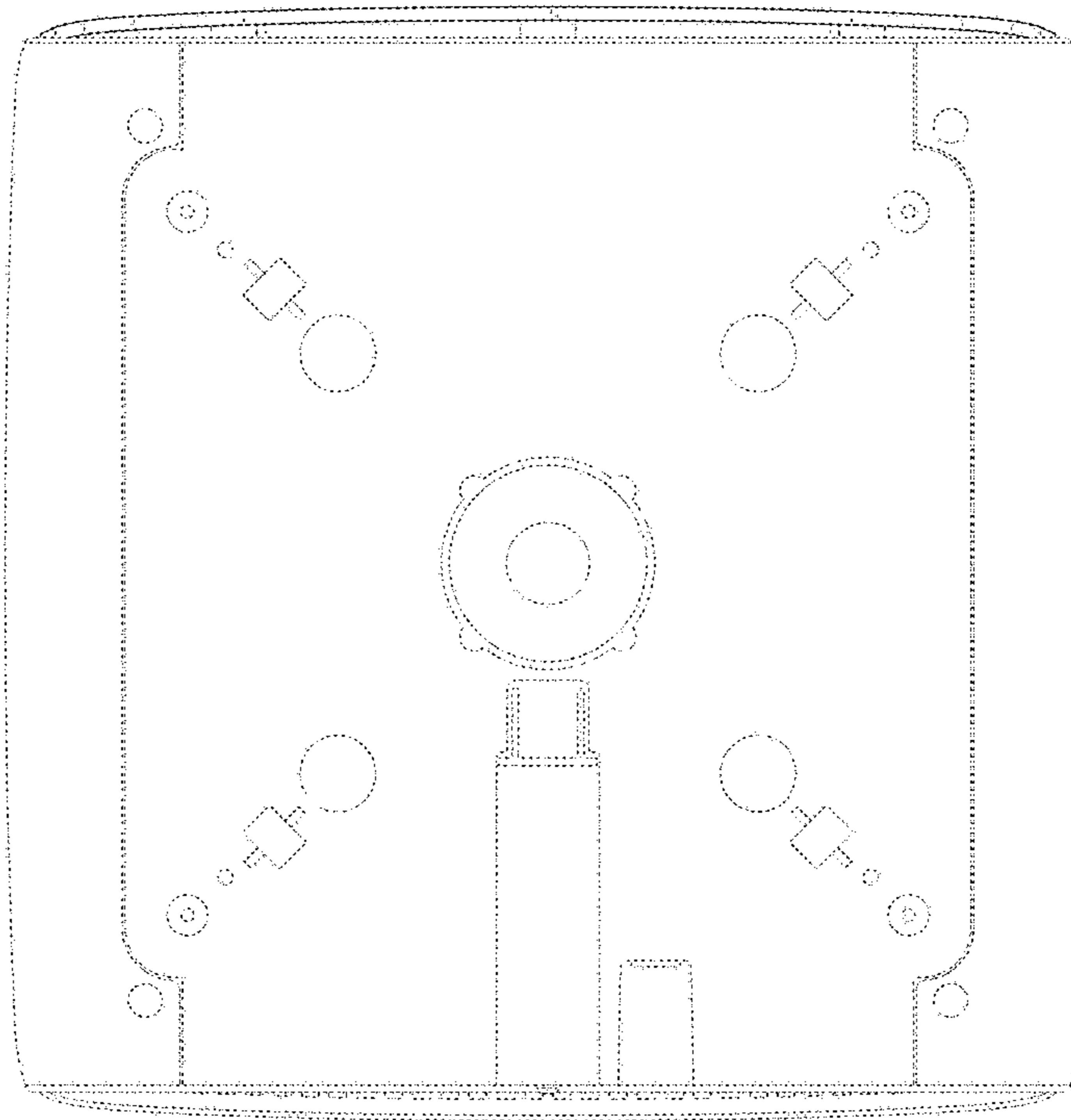


FIG. 8

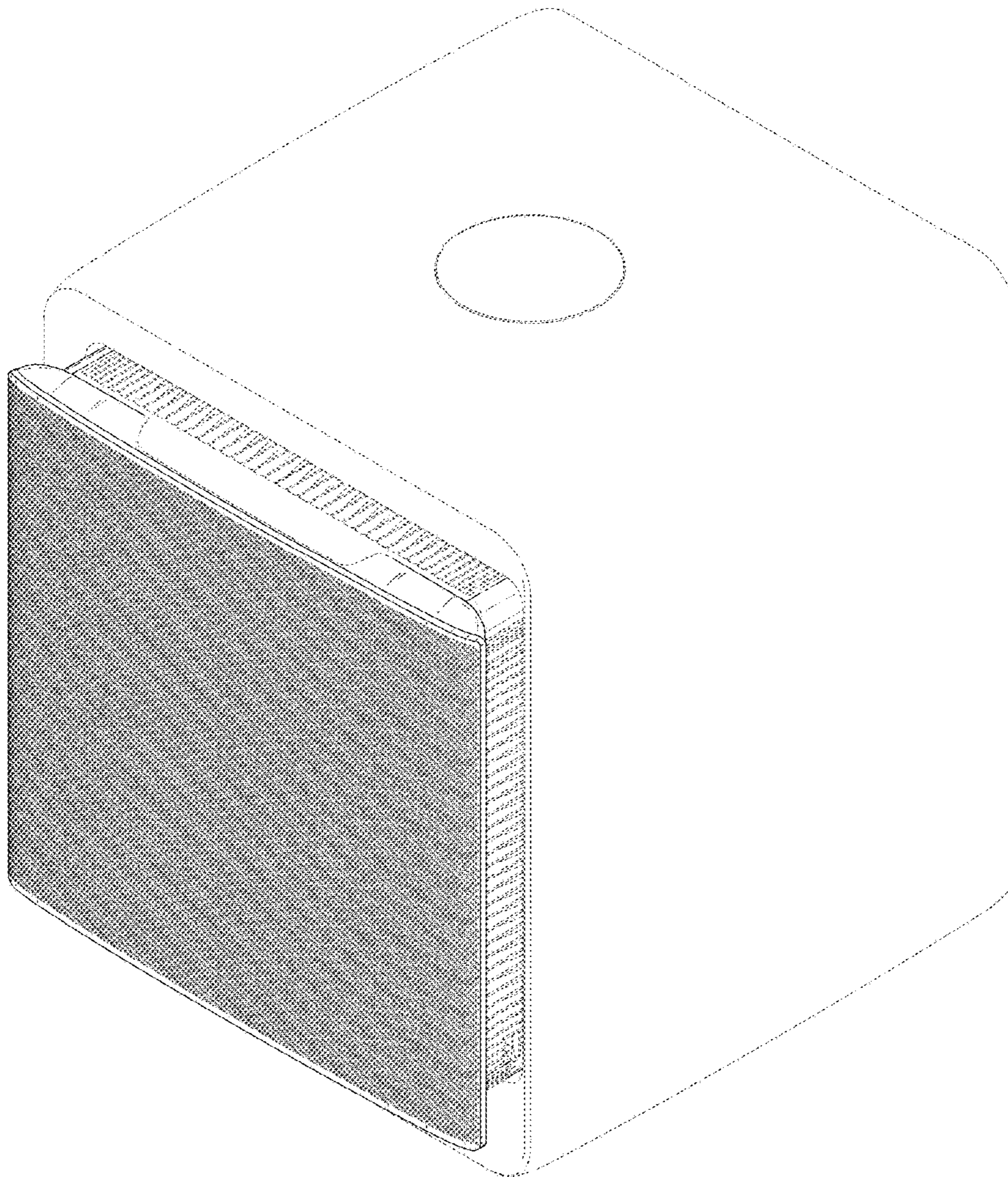


FIG. 9

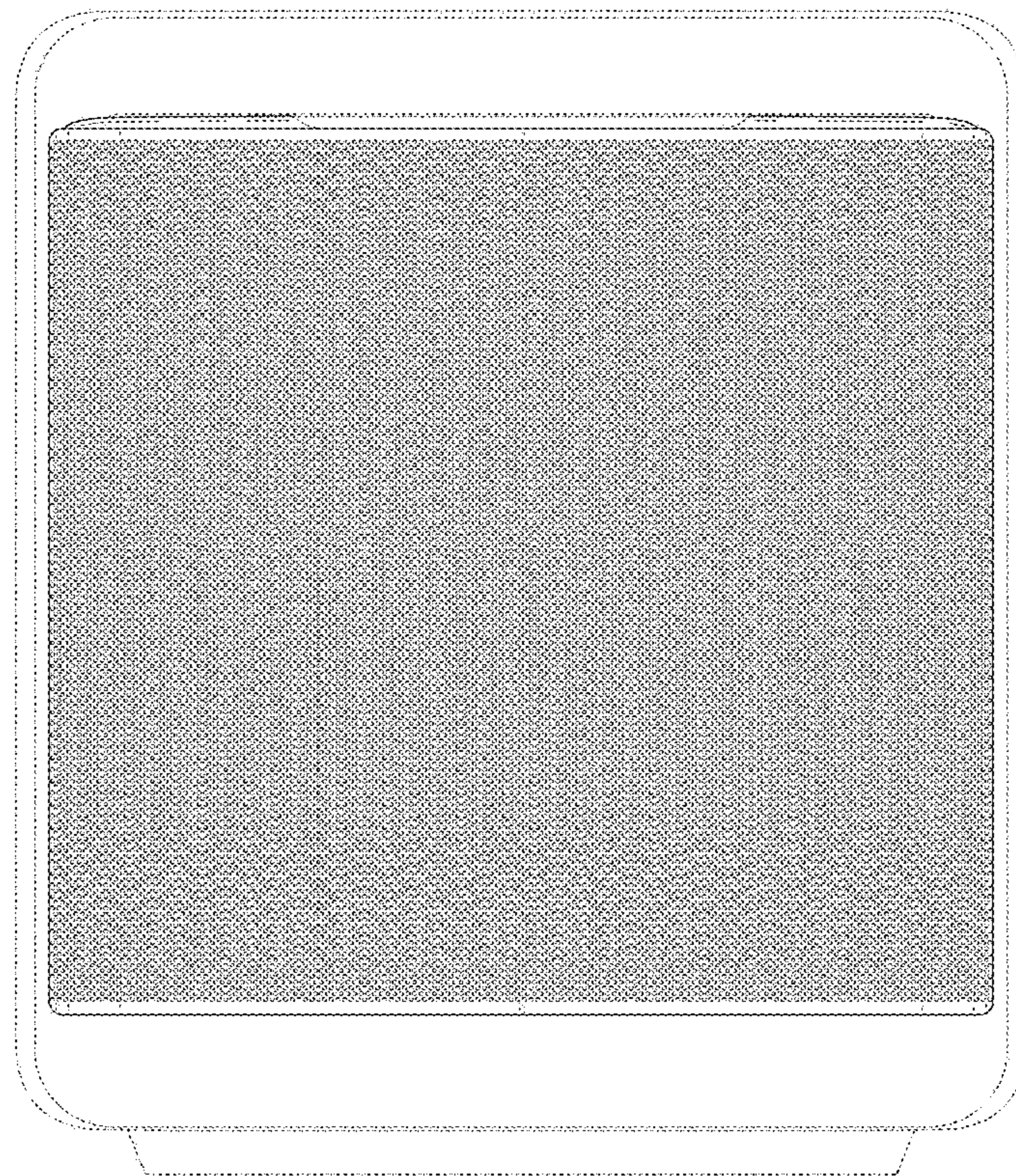


FIG. 10

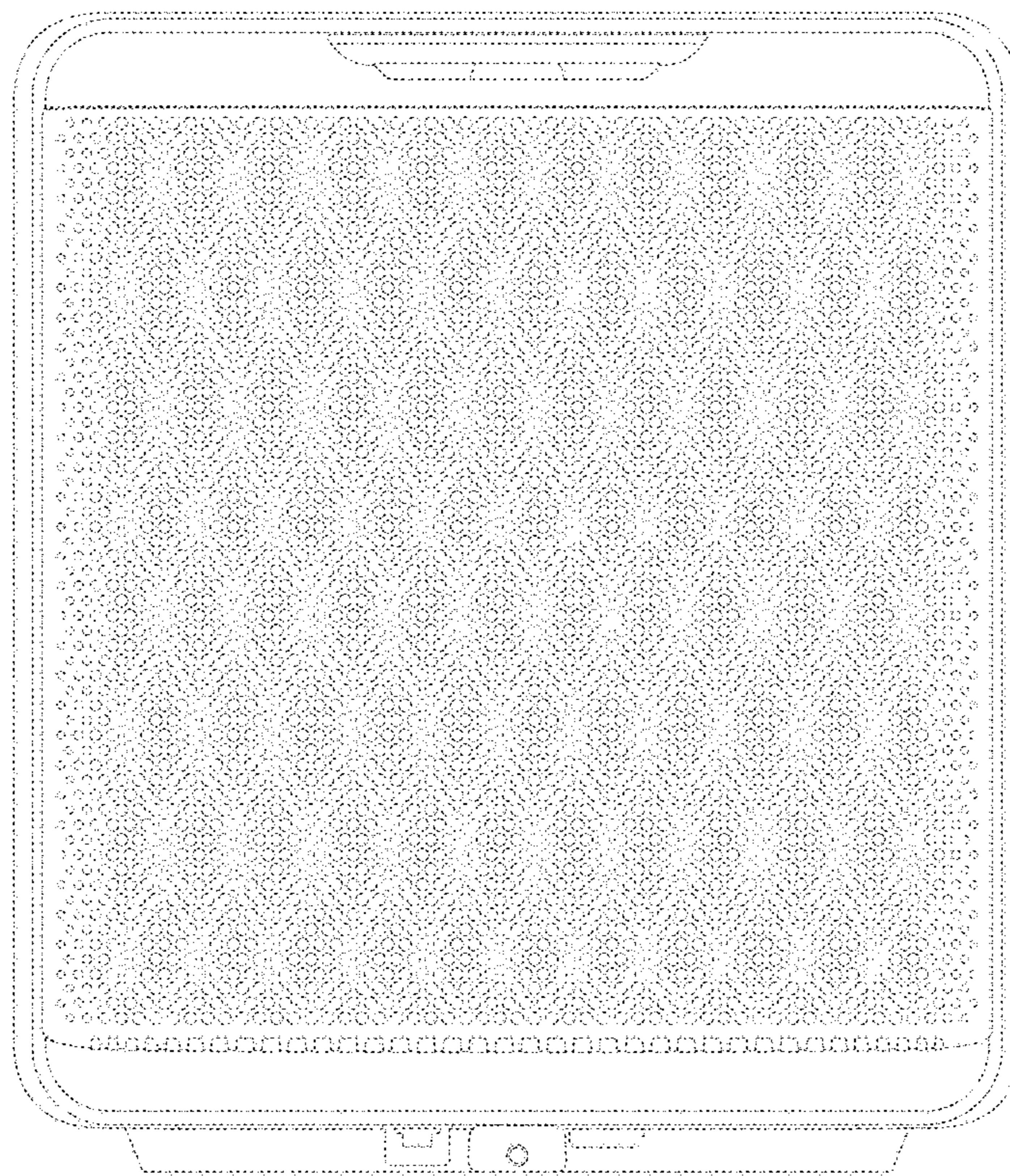


FIG. 11

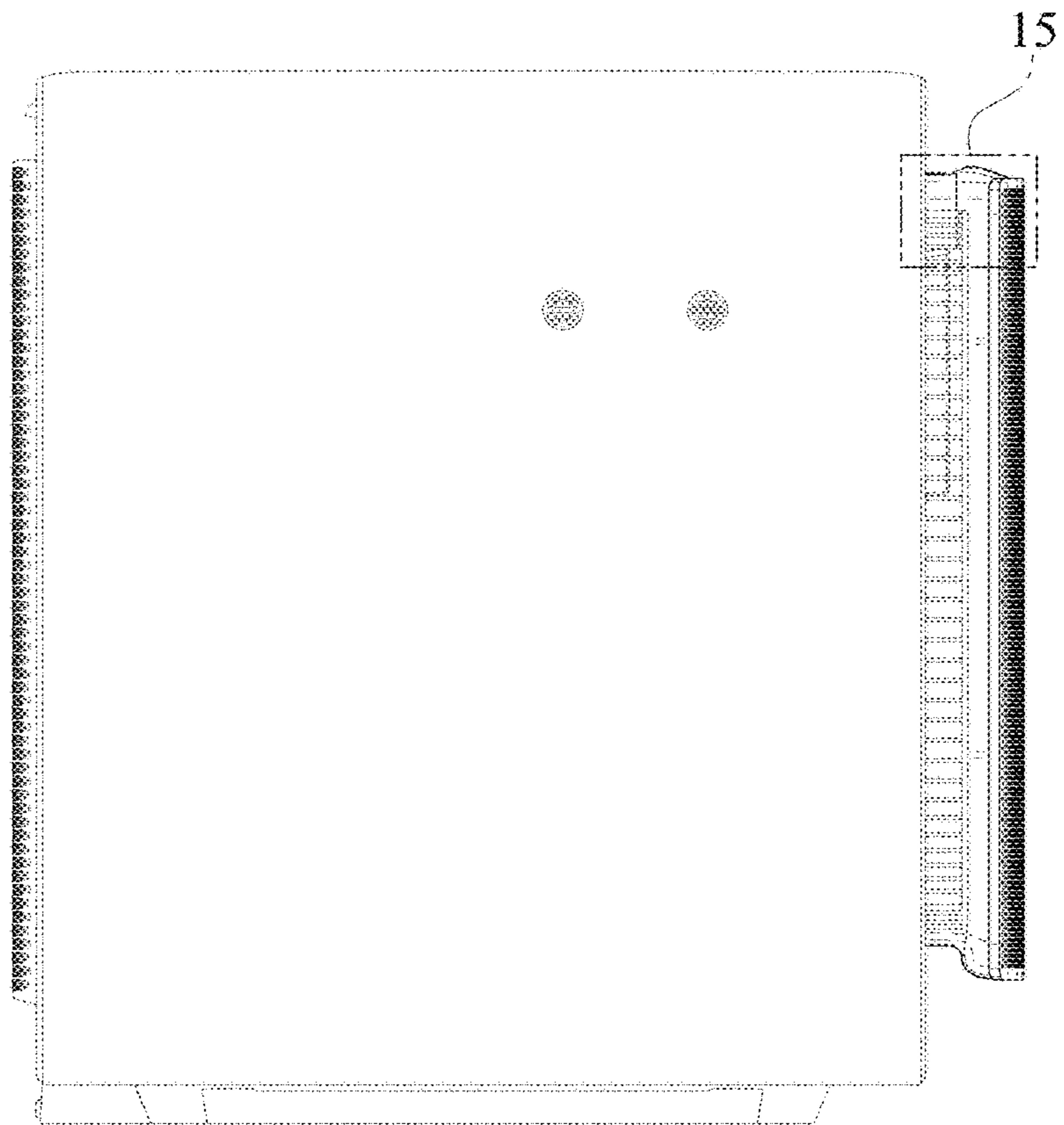


FIG. 12

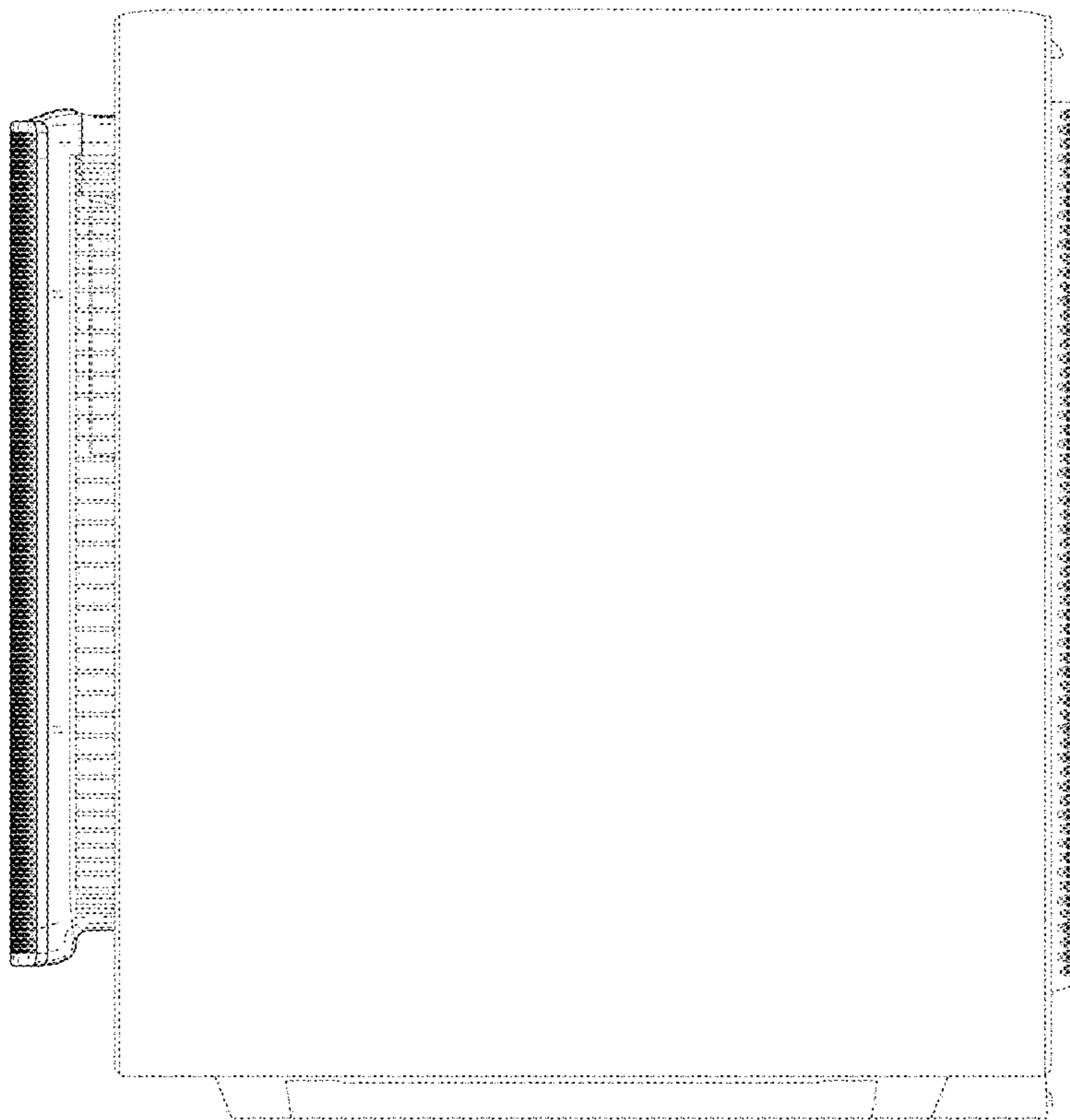


FIG. 13

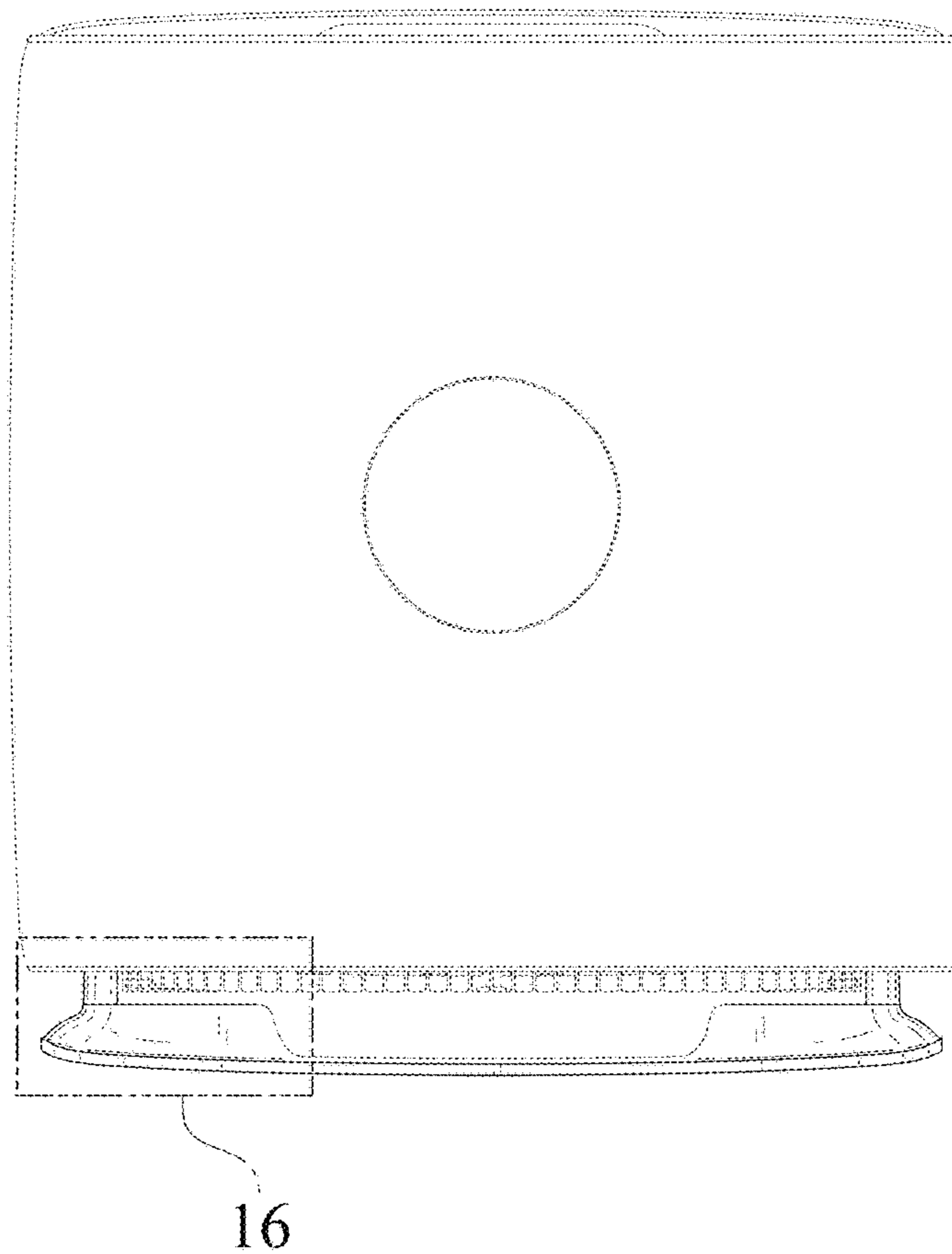


FIG. 14

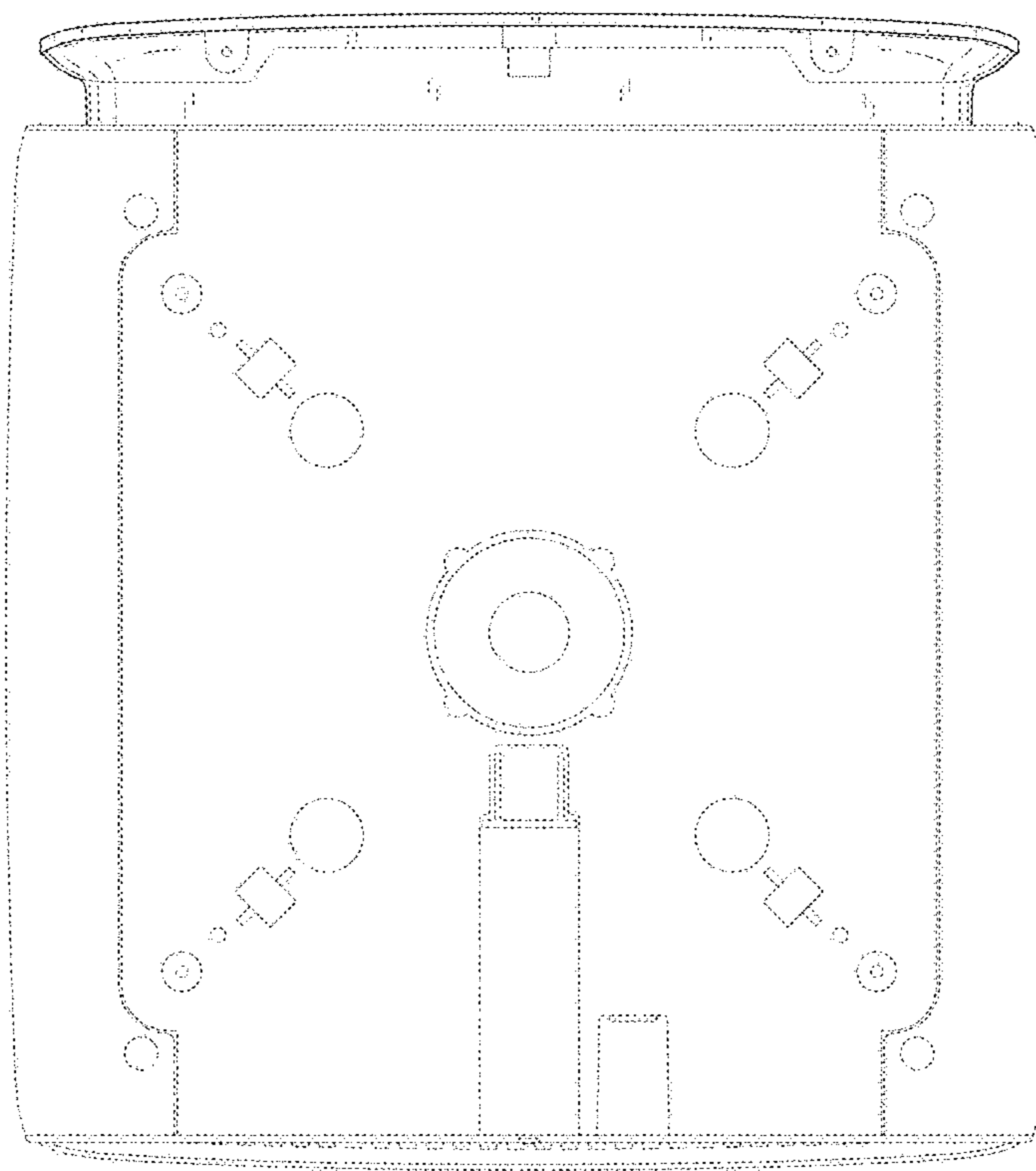


FIG. 15

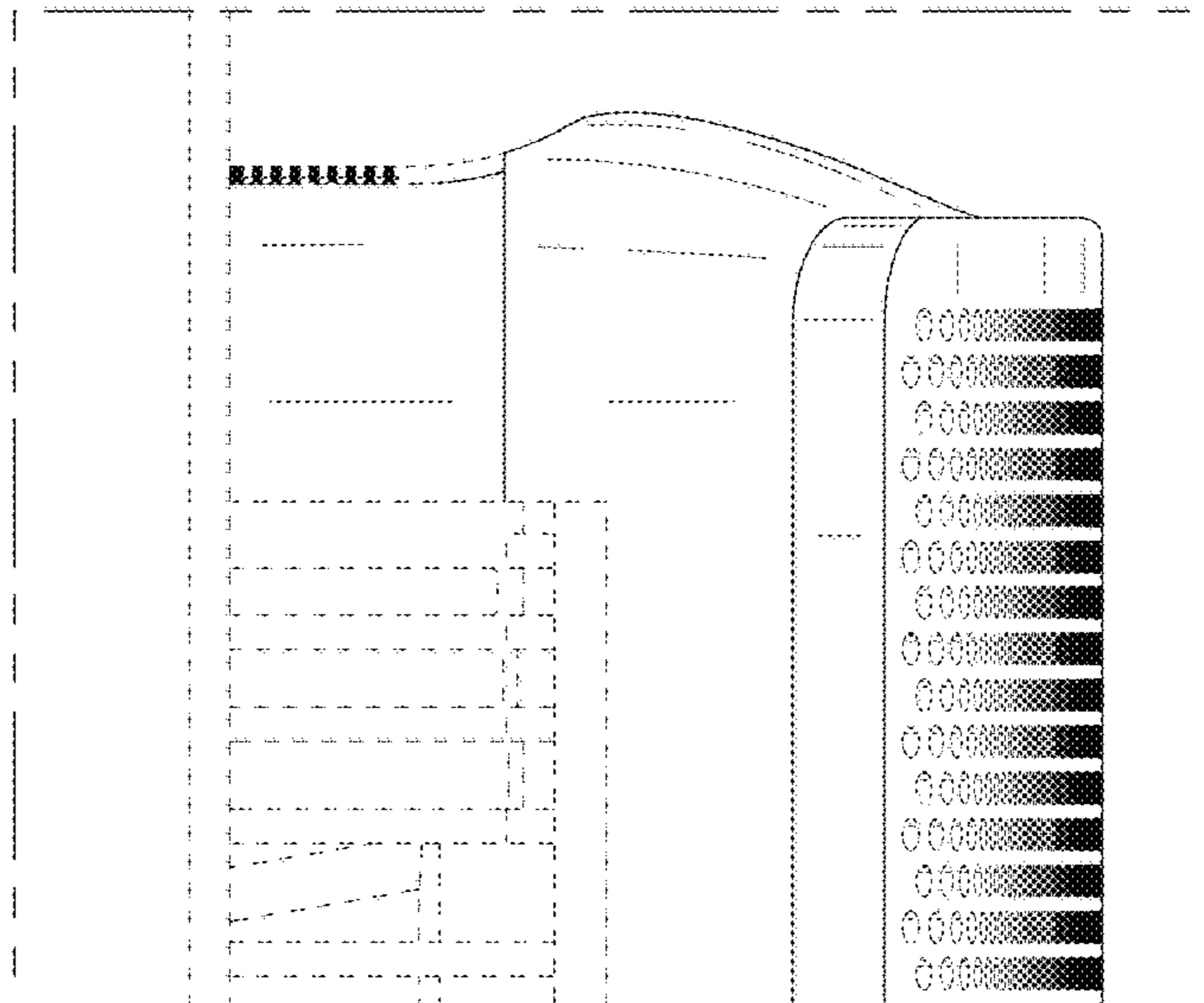


FIG. 16

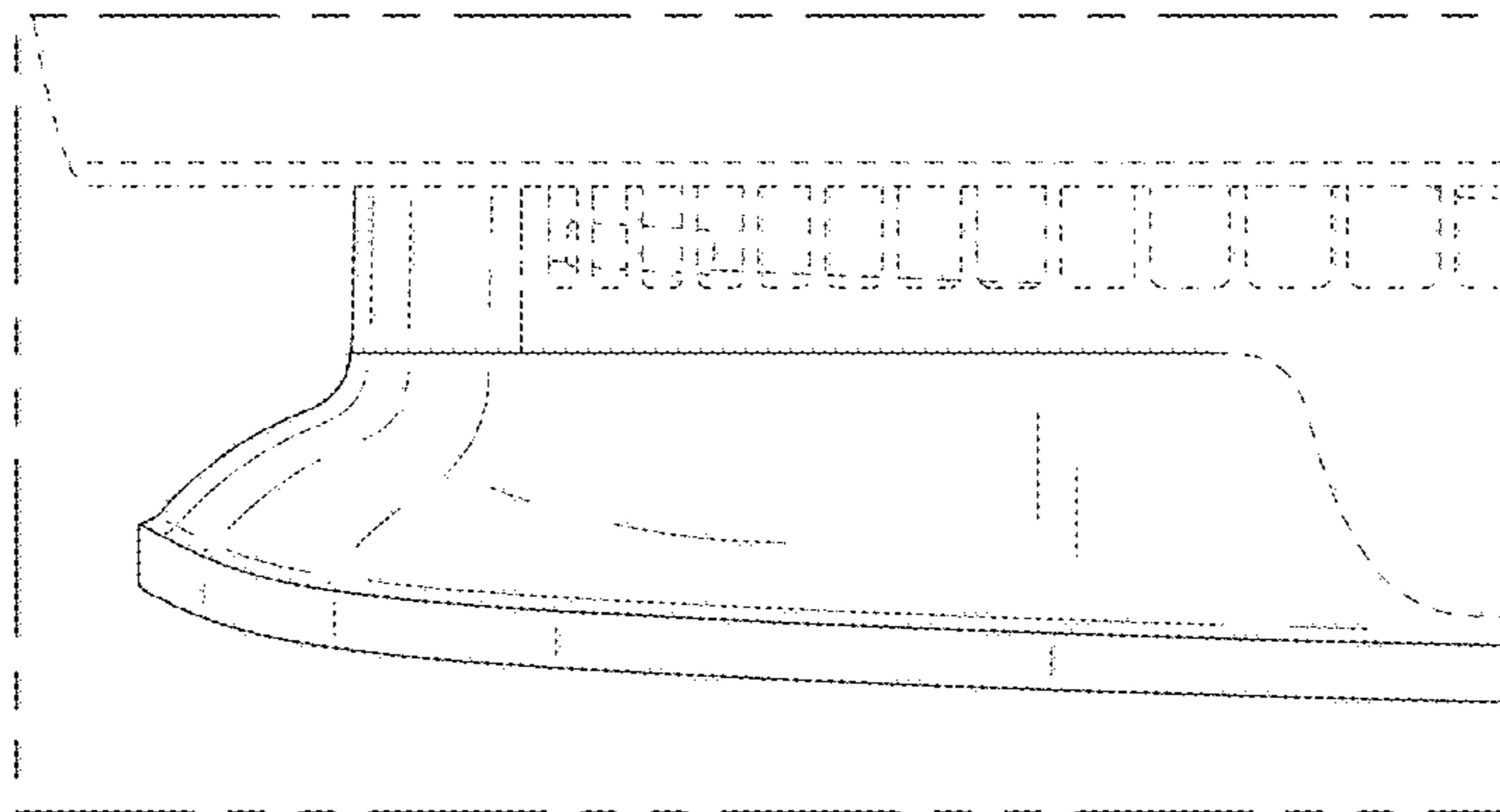


FIG. 17

