

US00D862674S

(12) **United States Design Patent**  
**Shin et al.**

(10) **Patent No.:** **US D862,674 S**

(45) **Date of Patent:** **\*\* Oct. 8, 2019**

(54) **AIR PURIFIER**

(71) Applicant: **Samsung Electronics Co., Ltd.**,  
Suwon-si (KR)

(72) Inventors: **Young-Sun Shin**, Seoul (KR);  
**Kang-Doo Kim**, Seoul (KR);  
**Dong-Hyuk Uim**, Seoul (KR)

(73) Assignee: **Samsung Electronics Co., Ltd.**,  
Suwon-si (KR)

(\*\*) Term: **15 Years**

(21) Appl. No.: **29/654,609**

(22) Filed: **Jun. 26, 2018**

(30) **Foreign Application Priority Data**

Jan. 4, 2018 (KR) ..... 30-2018-0000742

(51) **LOC (12) Cl.** ..... **23-04**

(52) **U.S. Cl.**  
USPC ..... **D23/364**

(58) **Field of Classification Search**  
USPC ..... D23/355-366, 352, 369, 332, 333, 335,  
D23/336, 342, 351; 422/120, 122;  
55/356, 473, 504; 96/97; D14/188, 170,  
D14/172; 261/DIG. 17, DIG. 65,  
261/DIG. 88, DIG. 31; D18/34.6  
CPC .. A61L 9/16; A61L 9/22; B01D 47/00; B01D  
47/027; B01D 2221/02; B01D 2259/4508;  
B03C 3/155; B03C 3/368; F24F 3/16;  
F24F 13/20; F24F 13/28; F24F 3/1405;  
F24F 3/1603; F24F 13/222

See application file for complete search history.

(56) **References Cited**

**U.S. PATENT DOCUMENTS**

D185,748 S \* 7/1959 Goettl ..... D23/333  
D291,350 S \* 8/1987 Sherman ..... D23/335

D313,069 S \* 12/1990 McCormick ..... D23/335  
D319,498 S \* 8/1991 Huang ..... D23/335  
D326,514 S \* 5/1992 Alsup, Jr. .... D23/364

(Continued)

**FOREIGN PATENT DOCUMENTS**

EM 002440313-0002 4/2014  
EM 003009539-0015 3/2016

(Continued)

**OTHER PUBLICATIONS**

Youtube.com, Introducing Samsung Cube: Modular Air Purifier with IoT(KR), Feb. 27, 2018, <https://www.youtube.com/watch?v=KXYWjGoLzo4> (Year: 2018).\*

*Primary Examiner* — David G Muller

*Assistant Examiner* — Nathan M Johnston

(74) *Attorney, Agent, or Firm* — NSIP Law

(57) **CLAIM**

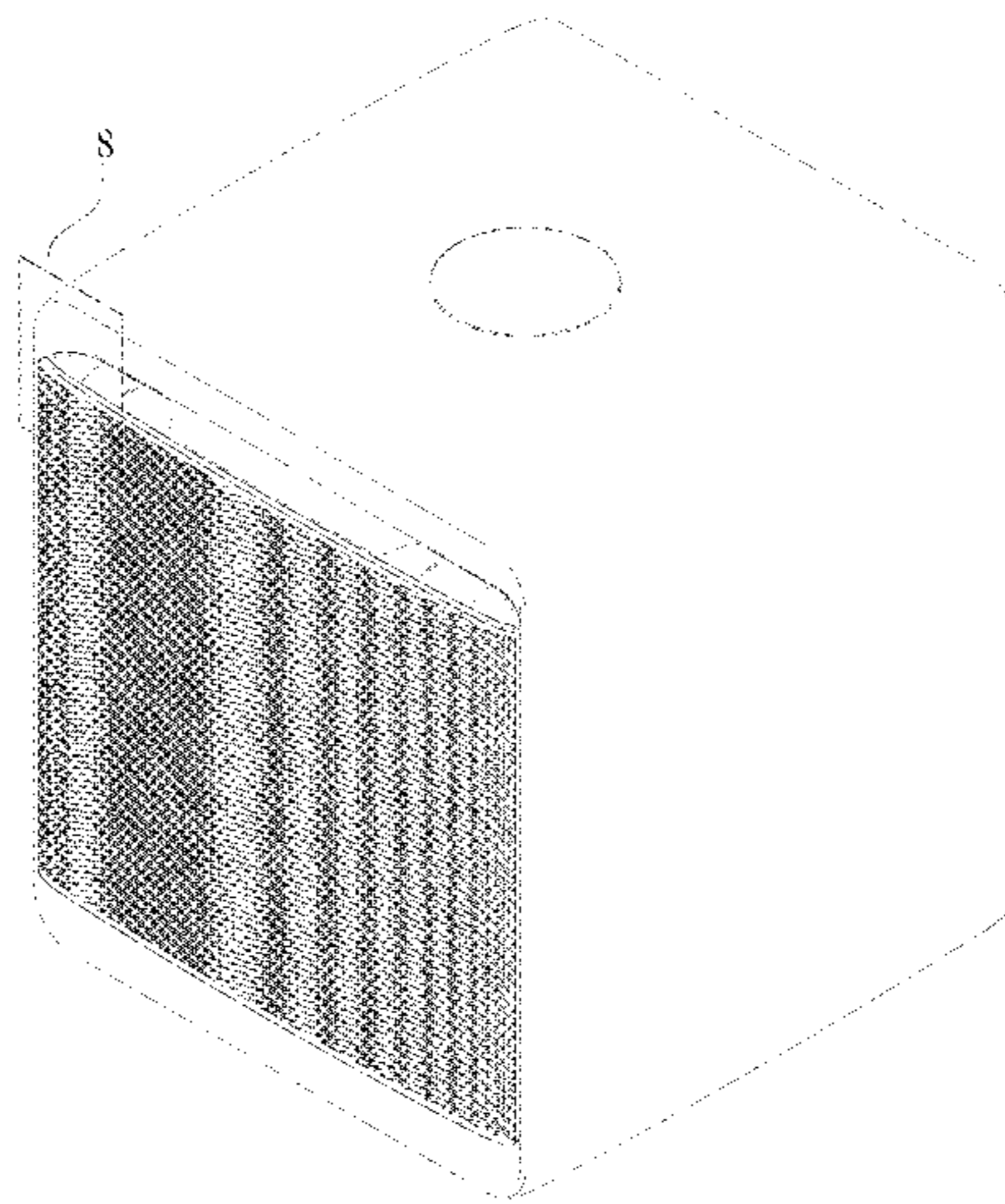
We claim the ornamental design for an air purifier, as shown and described.

**DESCRIPTION**

FIG. 1 is a front perspective view of an air purifier showing our new design;  
FIG. 2 is a front view thereof;  
FIG. 3 is a rear view thereof;  
FIG. 4 is a left-side view thereof;  
FIG. 5 is a right-side view thereof;  
FIG. 6 is a top view thereof;  
FIG. 7 is a bottom view thereof; and,  
FIG. 8 is an enlarged view of the encircled portion in FIG. 1.

The evenly spaced broken lines in the figures depict portions of the air purifier which form no part of the claimed design. The uneven dot-dot-dash broken line encircling portions of the claimed design that are illustrated in enlargements form no part of the claimed design.

**1 Claim, 8 Drawing Sheets**



(56)

**References Cited**

U.S. PATENT DOCUMENTS

D327,423	S	*	6/1992	Turner-Adams	.....	D23/366
D361,828	S	*	8/1995	Chen	.....	D23/332
D397,196	S	*	8/1998	Tsuji	.....	D23/356
D497,420	S	*	10/2004	Grey	.....	D23/351
D518,160	S	*	3/2006	Normark	.....	D23/366
D534,636	S	*	1/2007	David	.....	D23/351
D534,637	S	*	1/2007	David	.....	D23/351
D542,265	S	*	5/2007	Hussaini	.....	D14/170
D548,315	S	*	8/2007	Lin	.....	D23/364
D561,168	S	*	2/2008	Song	.....	D14/188
D570,464	S	*	6/2008	Normark	.....	D23/364
D575,382	S	*	8/2008	Hammes	.....	D23/364
D601,687	S	*	10/2009	Chan	.....	D23/364
D616,080	S	*	5/2010	Ching	.....	D23/332
D648,841	S	*	11/2011	Lam	.....	D23/364
D651,300	S	*	12/2011	Xu	.....	D23/342
D745,128	S	*	12/2015	Farone	.....	D23/355
D750,209	S	*	2/2016	Satou	.....	D23/364
D827,115	S	*	8/2018	Petersen	.....	D23/333
D838,354	S	*	1/2019	Farone	.....	D23/364
D838,824	S	*	1/2019	Sun	.....	D23/364

FOREIGN PATENT DOCUMENTS

JP	D1540286	12/2015
WO	DM 085251	2/2014
WO	DM 091010	5/2016

\* cited by examiner



FIG. 1

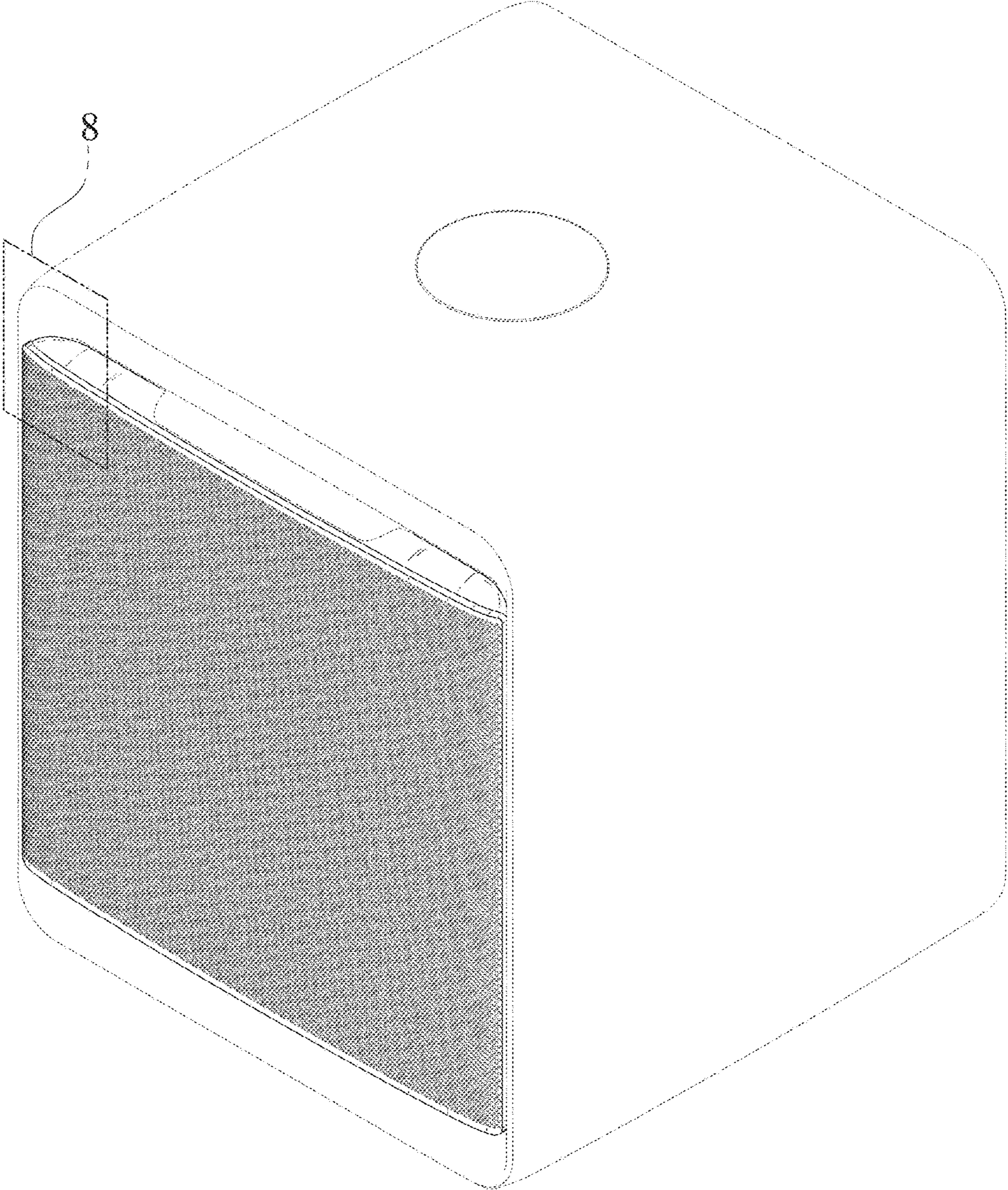




FIG. 2

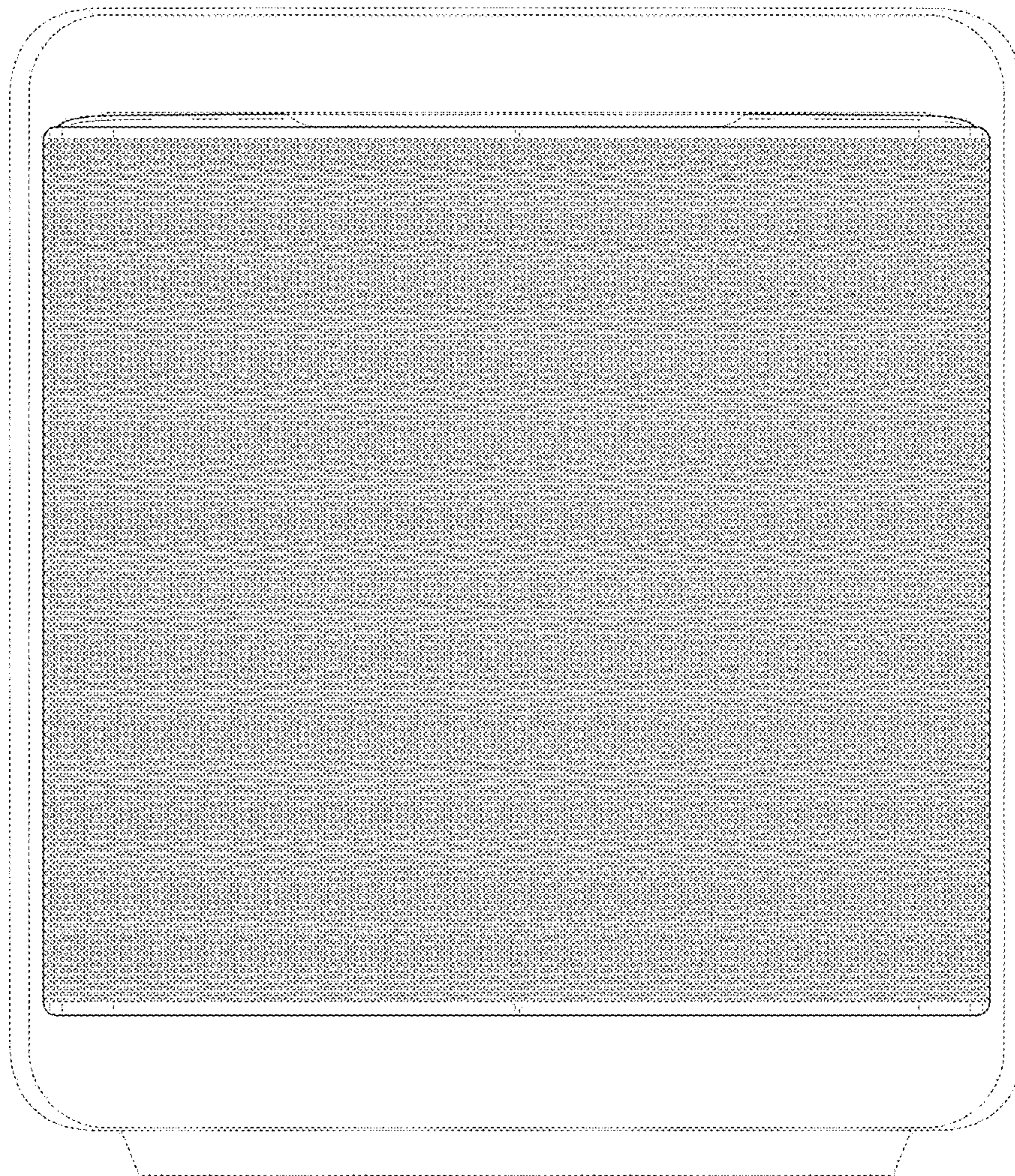




FIG. 3

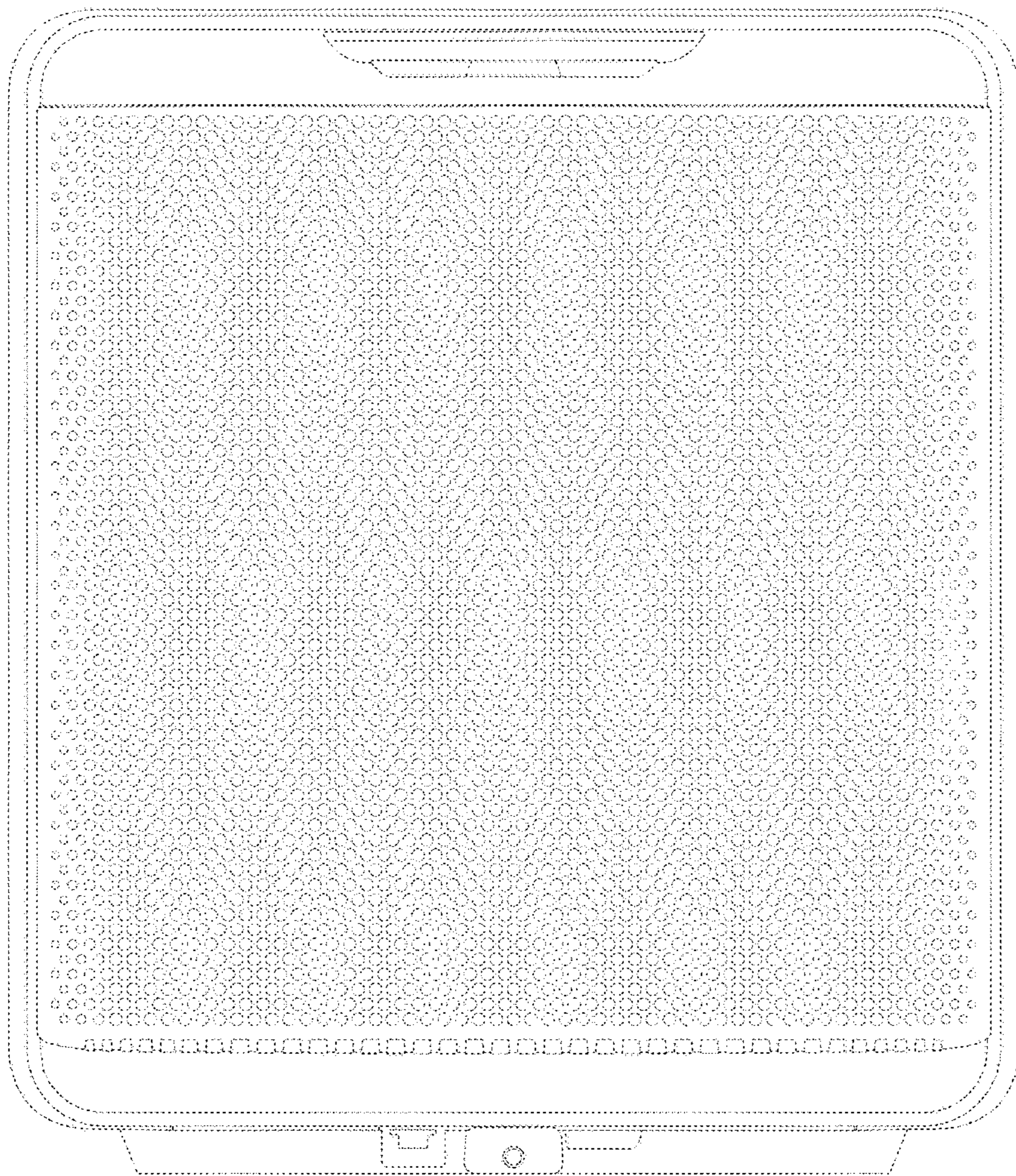


FIG. 4

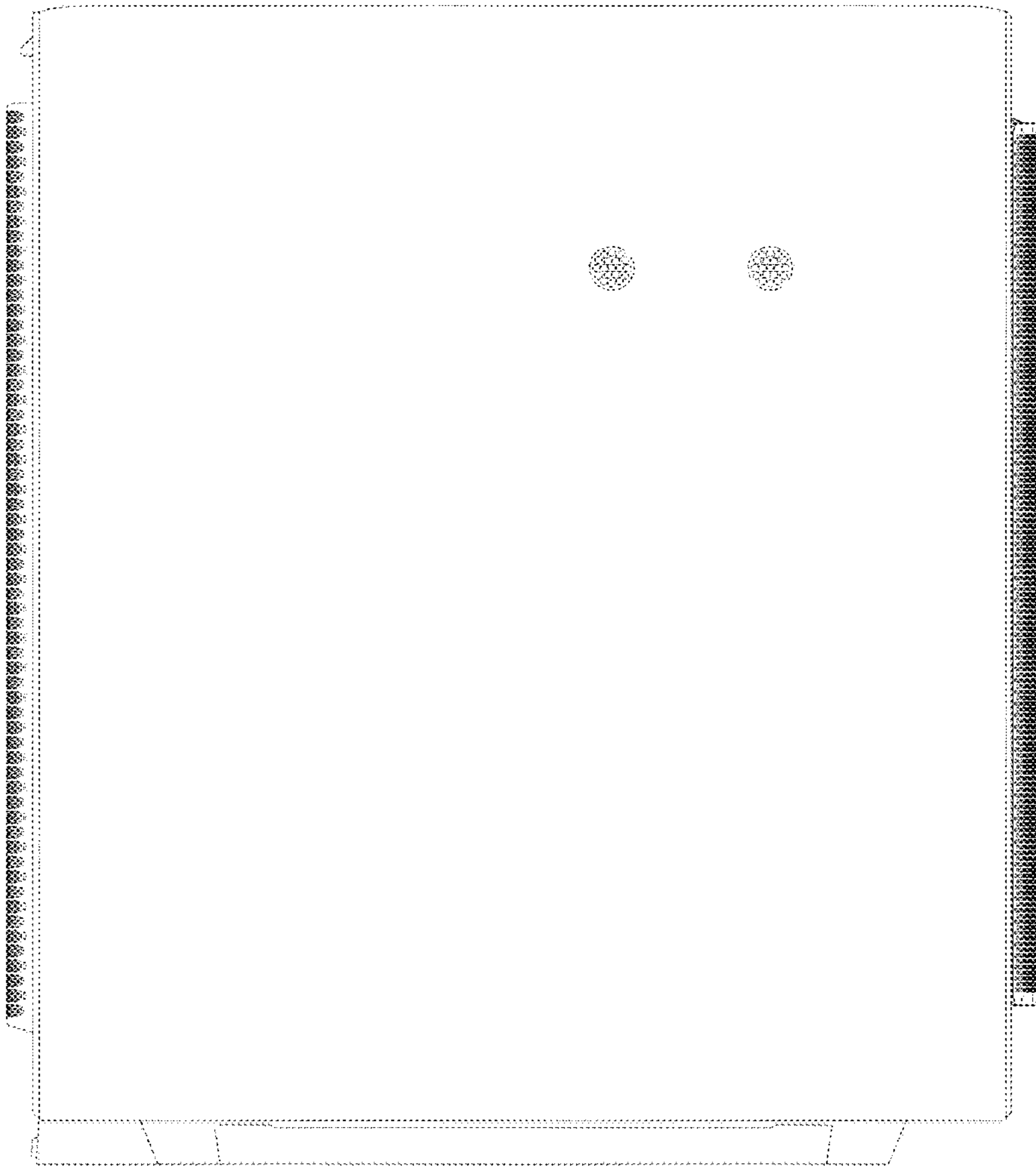


FIG. 5

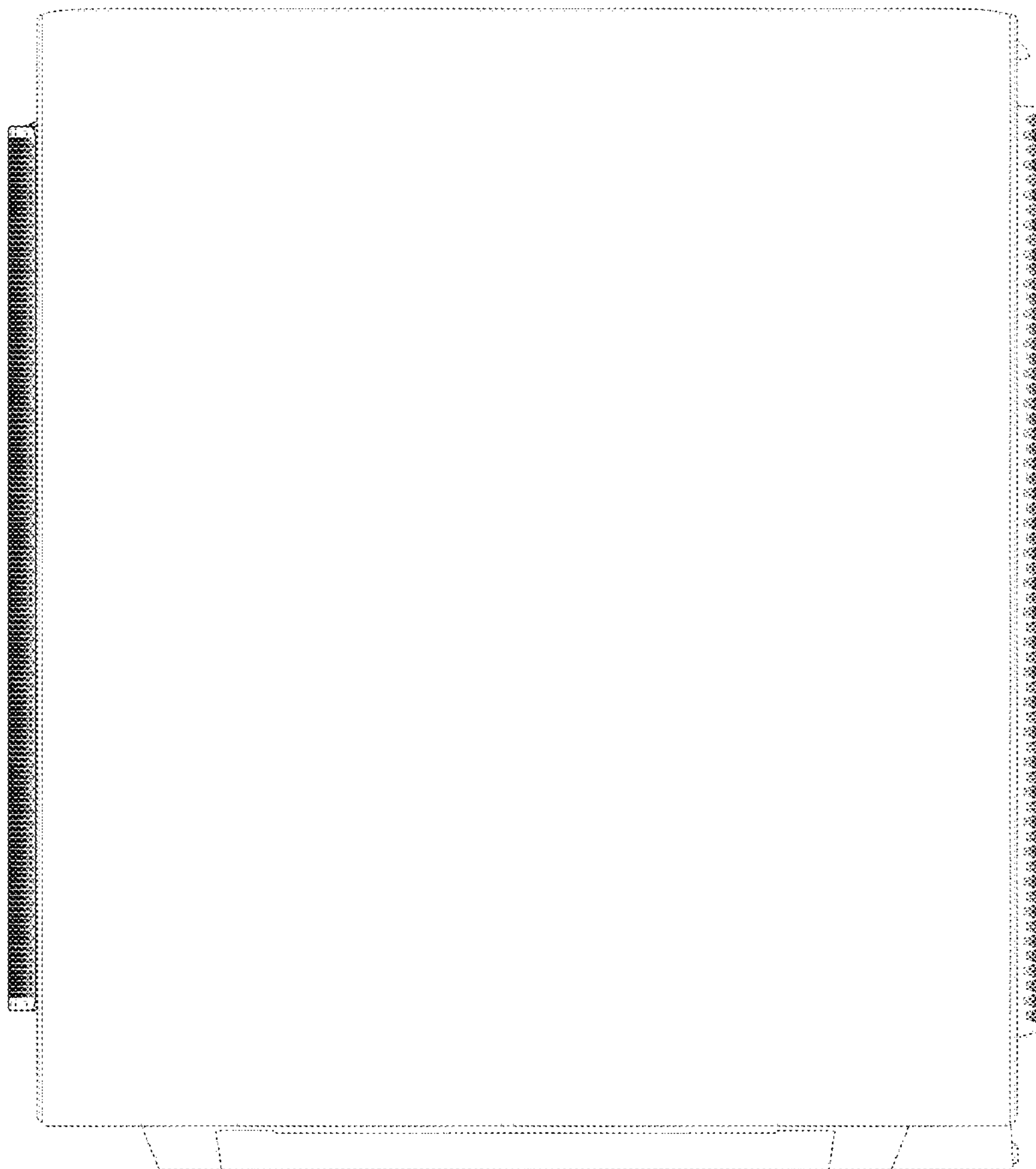


FIG. 6

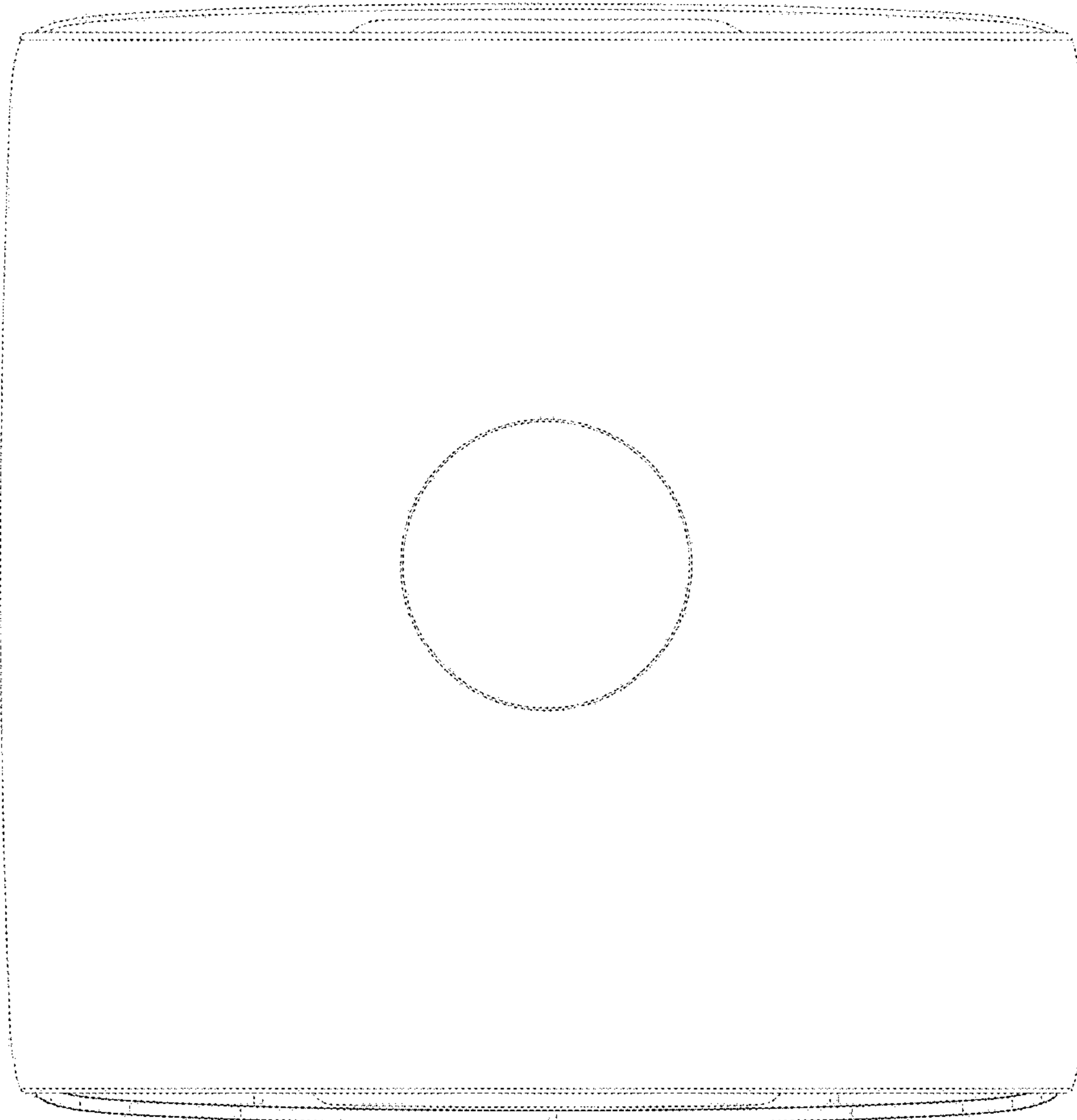




FIG. 7

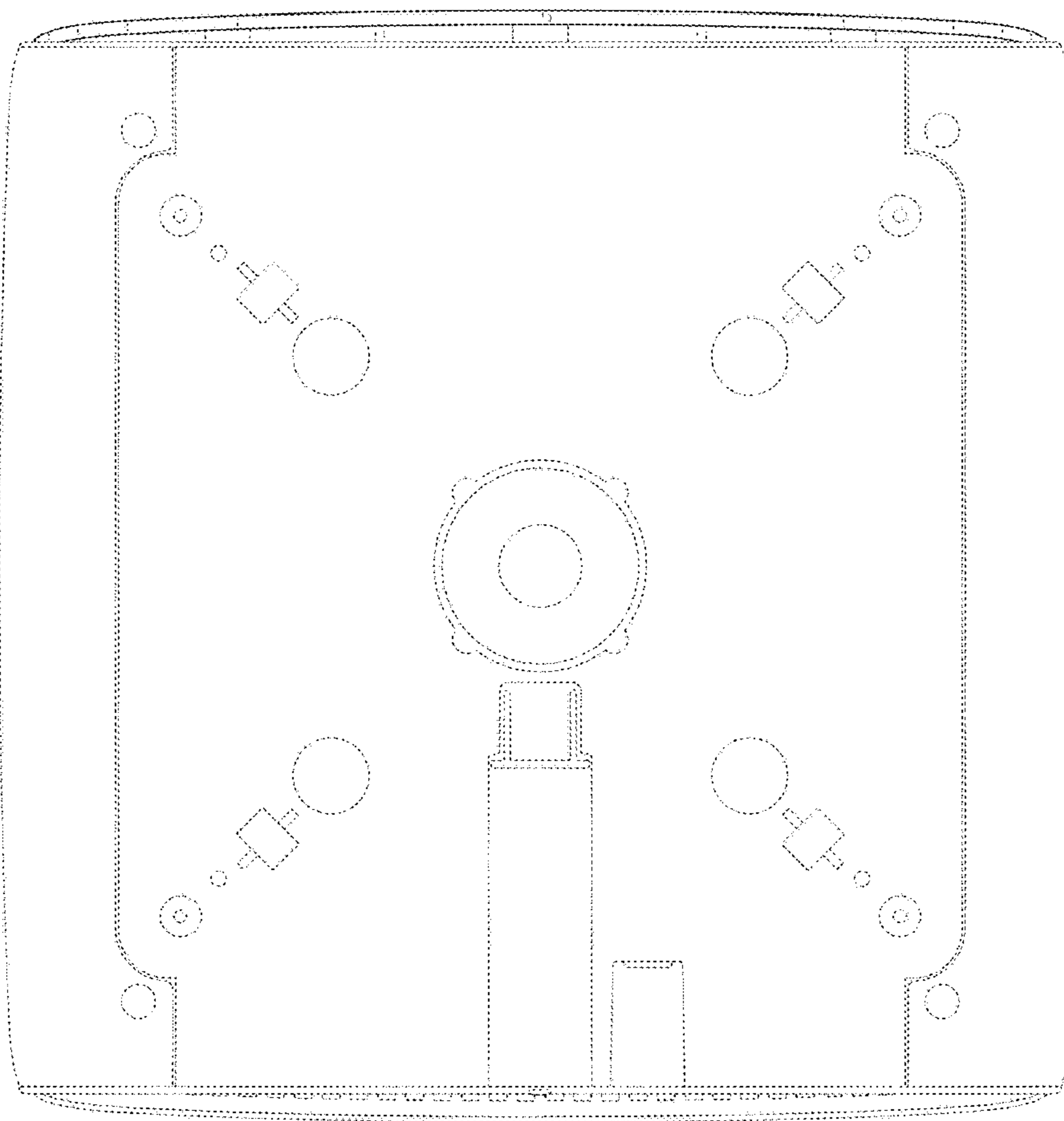


FIG. 8

