

US00D862672S

(12) **United States Design Patent**
Chen

(10) **Patent No.:** **US D862,672 S**

(45) **Date of Patent:** **** *Oct. 8, 2019**

(54) **AIR PURIFIER**

(71) Applicant: **Pei Chen**, Guangdong (CN)

(72) Inventor: **Pei Chen**, Guangdong (CN)

(*) Notice: This patent is subject to a terminal disclaimer.

(**) Term: **15 Years**

(21) Appl. No.: **29/610,653**

(22) Filed: **Jul. 14, 2017**

(51) **LOC (12) Cl.** **23-04**

(52) **U.S. Cl.**
USPC **D23/364**

(58) **Field of Classification Search**
USPC D23/355-366, 352, 369, 332, 333, 335,
D23/336, 342, 351; 422/120, 122;
55/356, 473, 504; 96/97; 261/DIG. 17,
261/DIG. 65, DIG. 88, DIG. 31
CPC .. A61L 9/16; A61L 9/22; B01D 47/00; B01D
2259/4508; F24F 3/16; F24F 13/20; F24F
2001/0096
See application file for complete search history.

(56) **References Cited**

U.S. PATENT DOCUMENTS

D365,388 S * 12/1995 Williams D23/332
D434,843 S * 12/2000 Zaragoza D23/366

D583,452 S * 12/2008 Aloe D23/366
D716,433 S * 10/2014 Milon A61L 9/03
D23/366
D724,191 S * 3/2015 Yoo D23/355
D764,650 S * 8/2016 Sanders D23/366
D771,784 S * 11/2016 McDonnell D23/356
D788,280 S * 5/2017 Shah D23/366
D797,270 S * 9/2017 McDonnell D23/356
D801,509 S * 10/2017 Weening D23/366
D804,002 S * 11/2017 Huang D23/364
D806,843 S * 1/2018 McDonnell D23/355
D810,260 S * 2/2018 Sevy D23/366

* cited by examiner

Primary Examiner — David Muller

(74) *Attorney, Agent, or Firm* — Justin Lampel

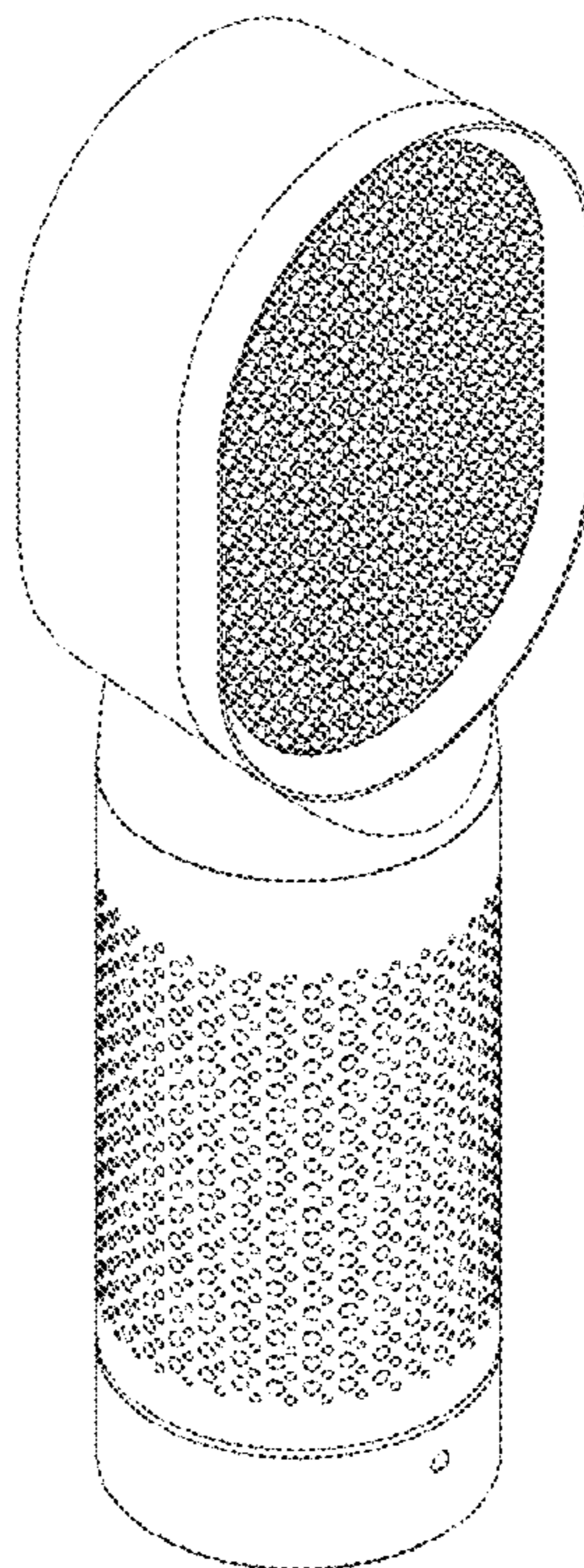
(57) **CLAIM**

The ornamental design for an air purifier, as shown and described.

DESCRIPTION

FIG. 1 is a perspective view of an air purifier showing my new design;
FIG. 2 is a perspective view of an air purifier showing my new design;
FIG. 3 is a front elevational view thereof;
FIG. 4 is a rear elevational view thereof;
FIG. 5 is a right side view thereof;
FIG. 6 is a left side view thereof;
FIG. 7 is a bottom plan view thereof; and,
FIG. 8 is a top plan view thereof.

1 Claim, 7 Drawing Sheets



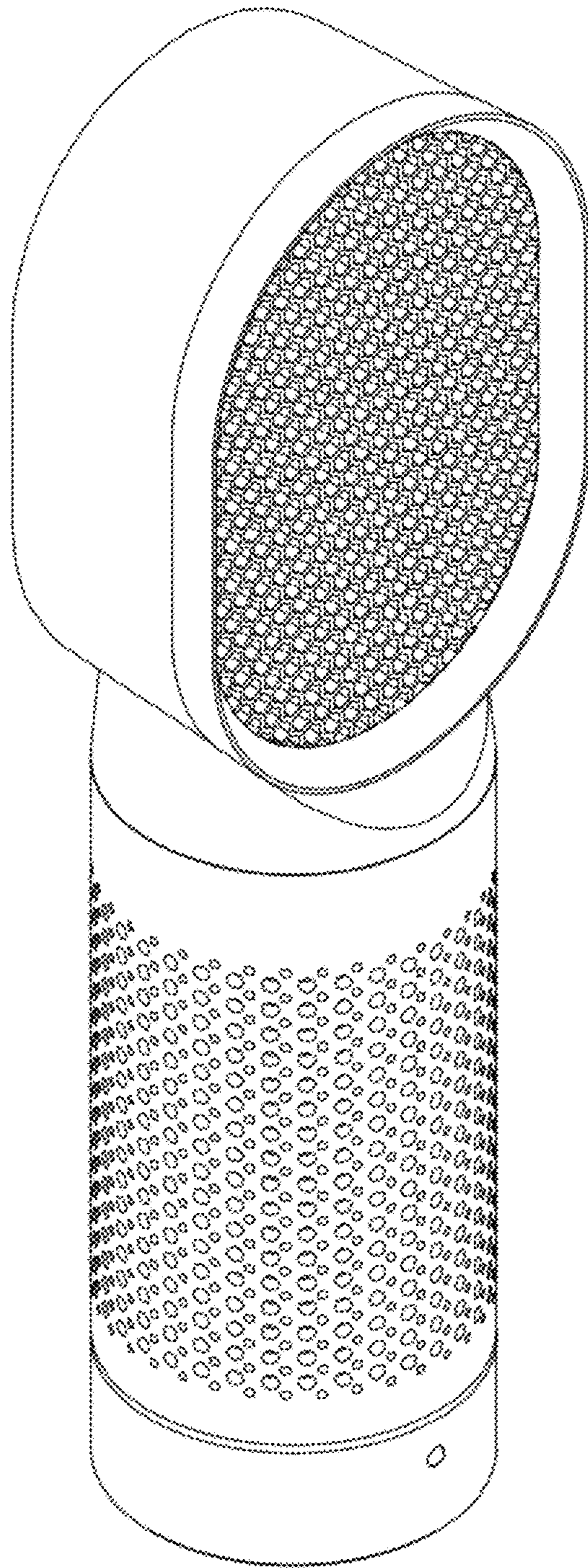


FIG. 1

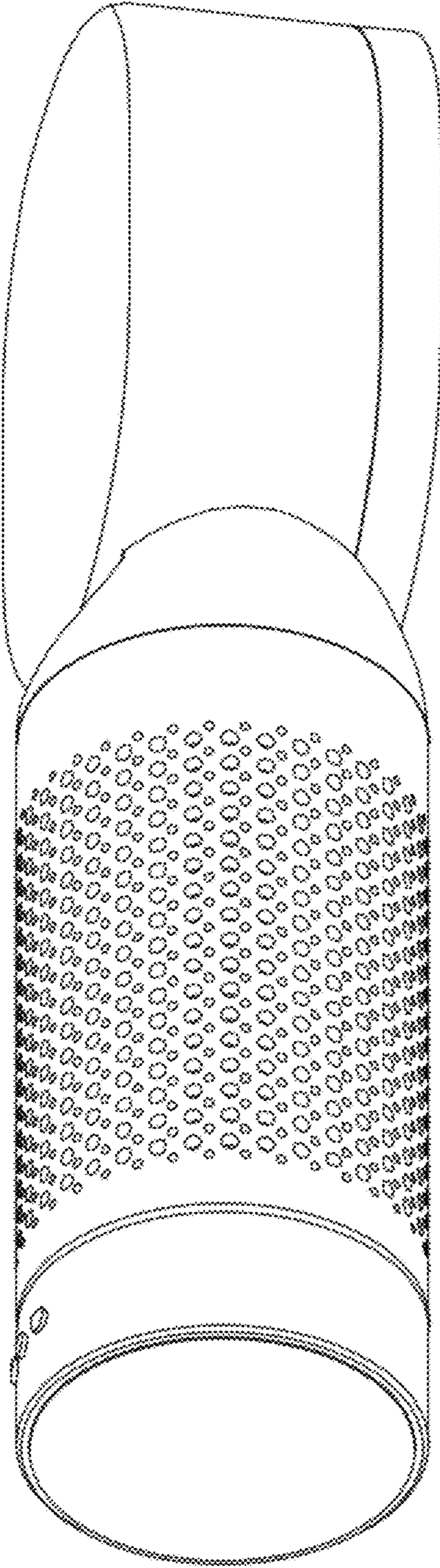


FIG. 2

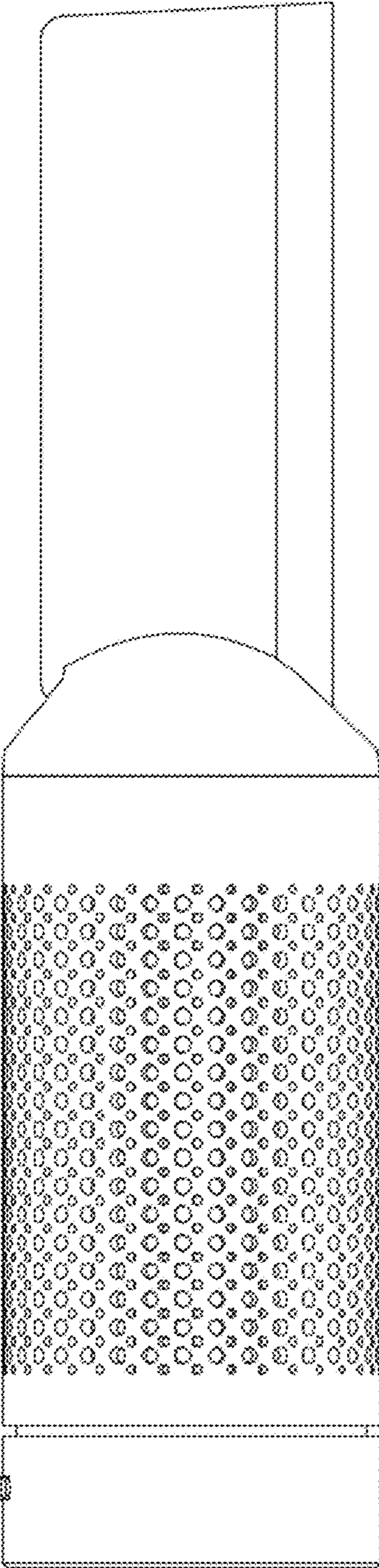


FIG. 3

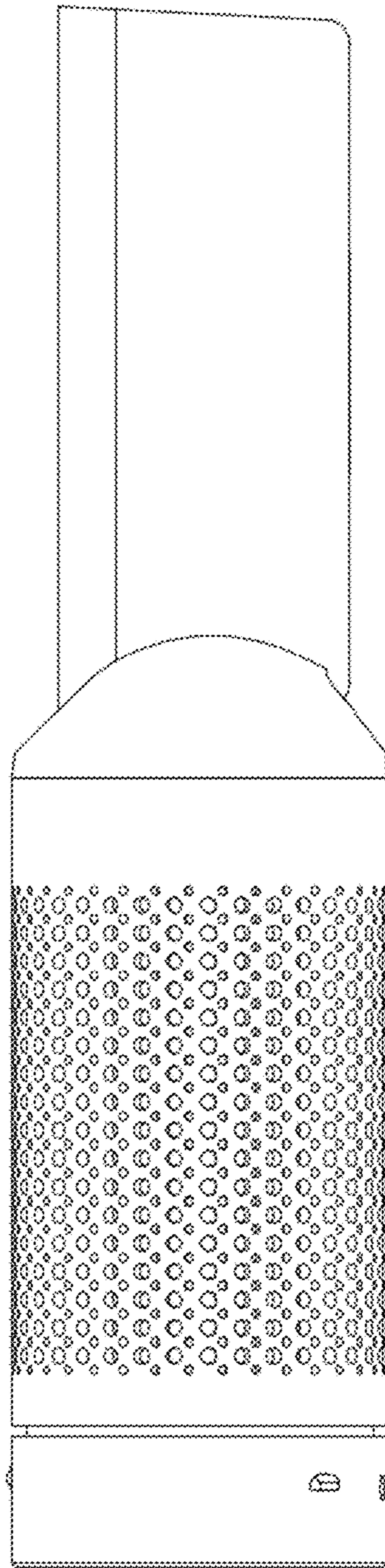


FIG. 4

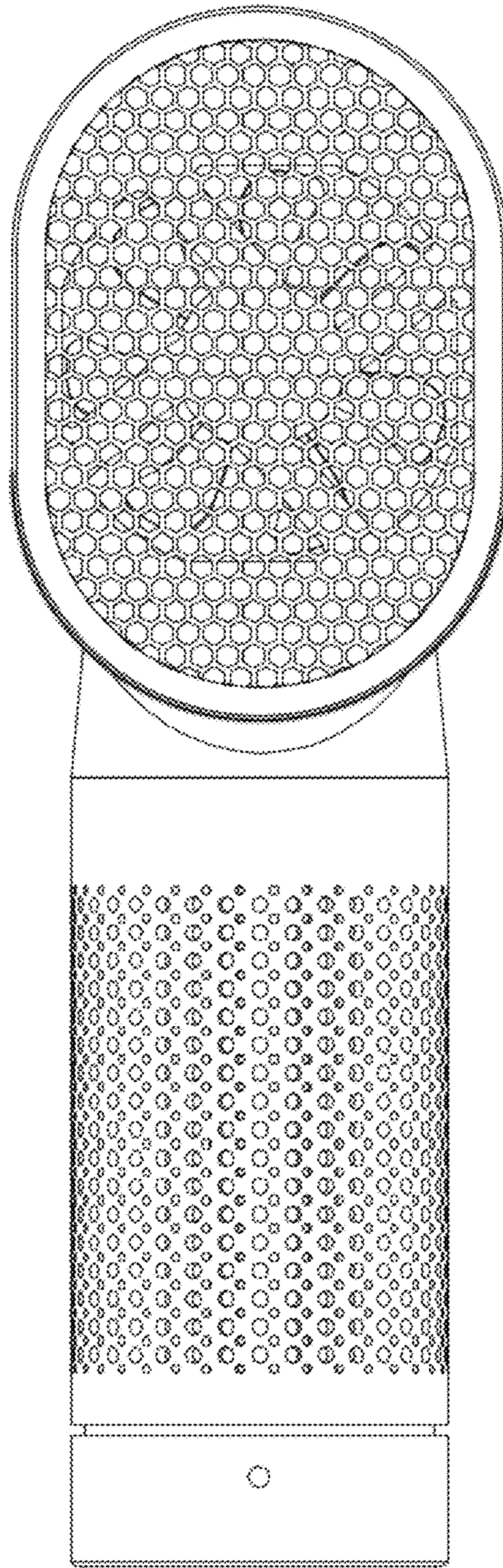


FIG.5

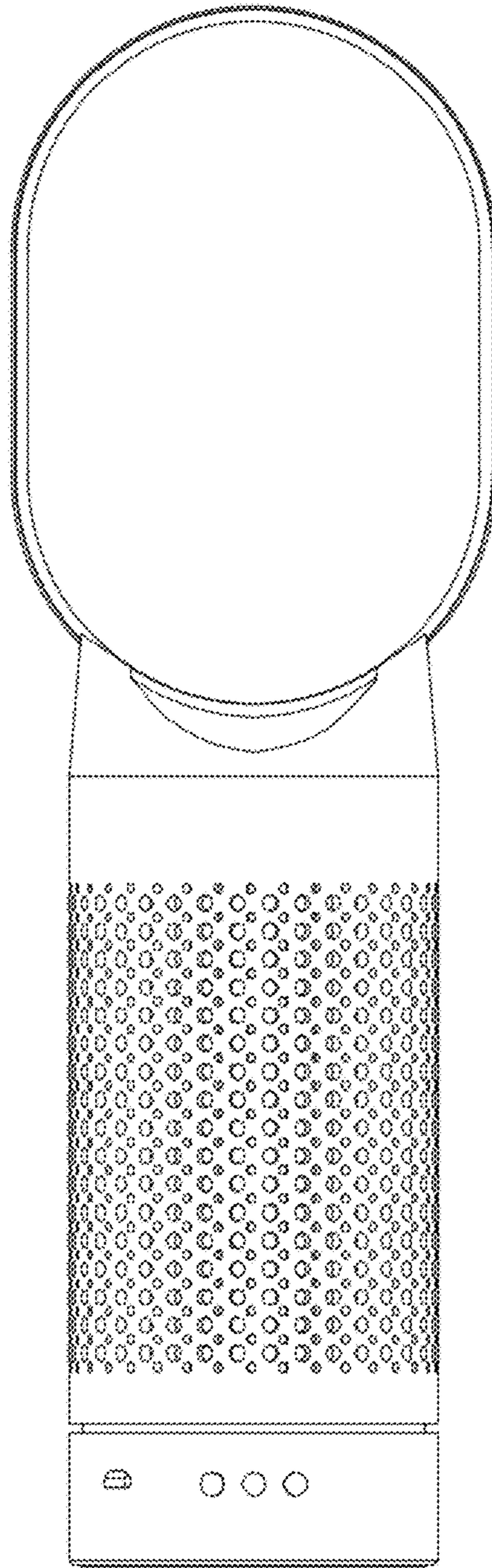


FIG.6

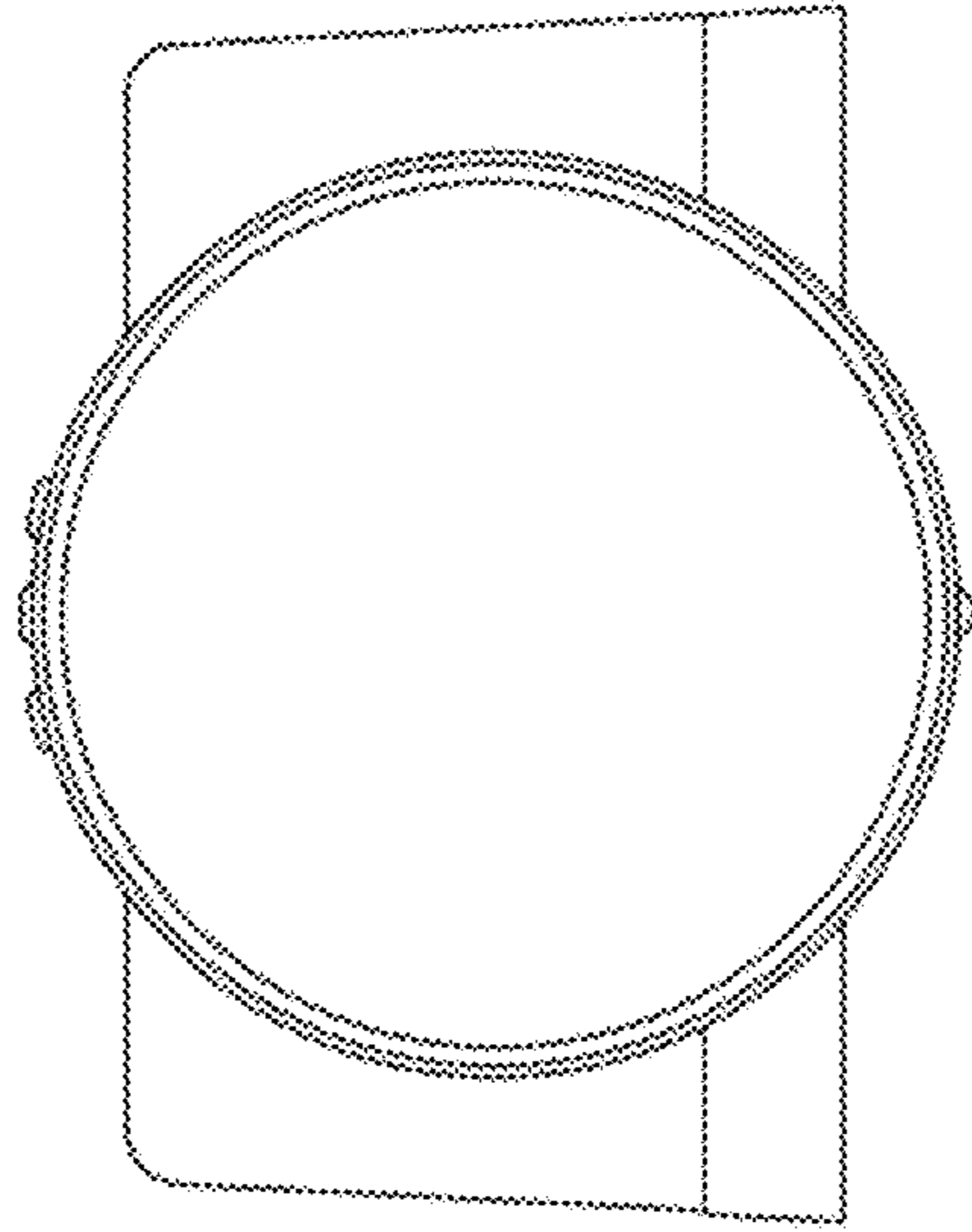


FIG.7

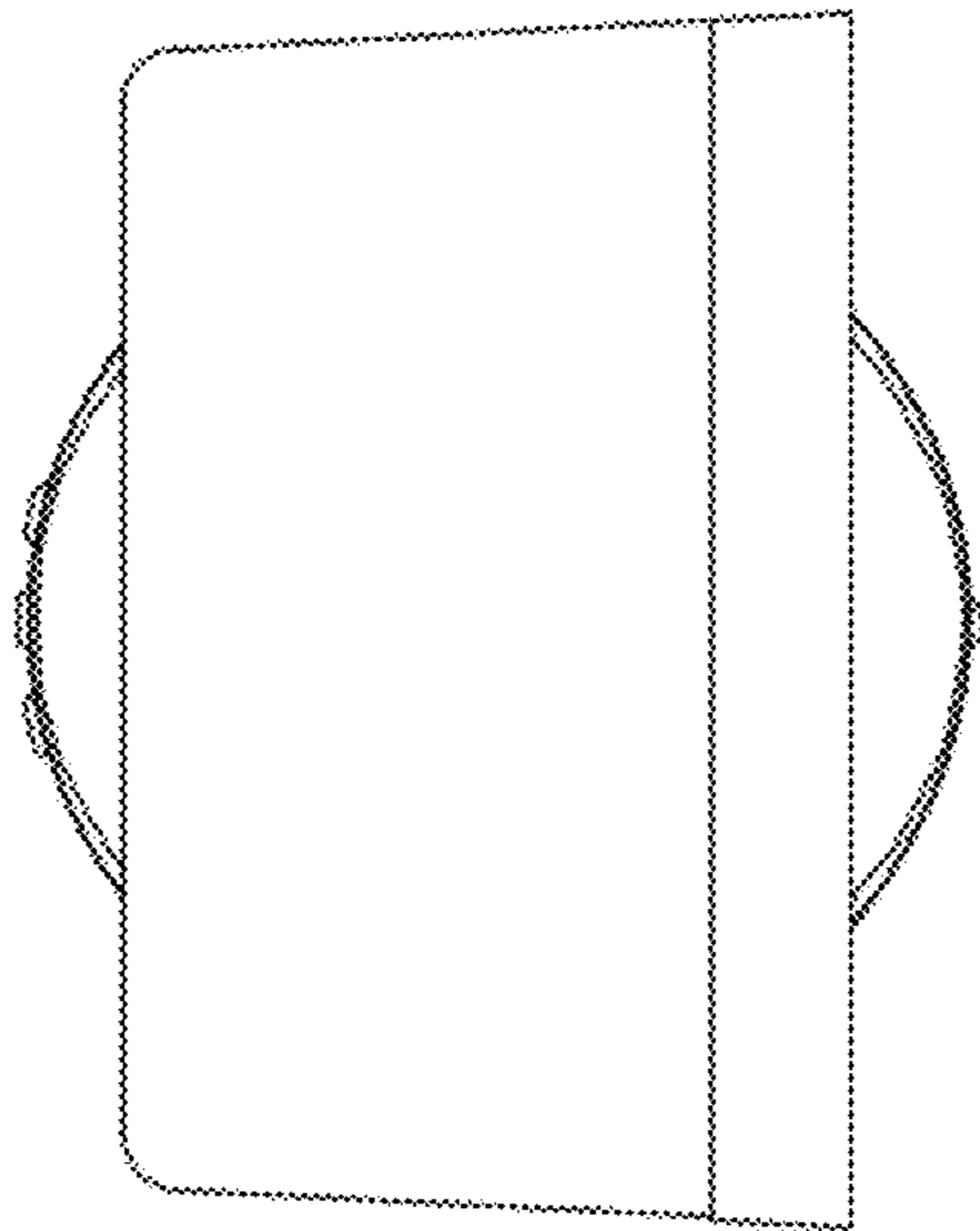


FIG.8