



US00D862669S

(12) **United States Design Patent**  
**Horne, III**

(10) **Patent No.:** **US D862,669 S**

(45) **Date of Patent:** **\*\* Oct. 8, 2019**

- (54) **FIRE PIT SYSTEM**
- (71) Applicant: **Stebin Horne, III**, Macon, GA (US)
- (72) Inventor: **Stebin Horne, III**, Macon, GA (US)
- (73) Assignee: **KUDU SAFARI BRAAI, LLC**,  
Springfield, MO (US)

4,589,399 A \* 5/1986 Hamill ..... A47J 37/0763  
126/25 A  
D285,402 S \* 9/1986 Hamill ..... D7/335  
4,688,542 A \* 8/1987 Isbell ..... F24B 1/205  
126/154  
4,706,817 A \* 11/1987 Greathouse ..... A47B 31/02  
126/25 R  
D356,005 S \* 3/1995 Goble ..... D7/337  
(Continued)

(\*\*) Term: **15 Years**

**FOREIGN PATENT DOCUMENTS**

- (21) Appl. No.: **29/576,284**
- (22) Filed: **Sep. 1, 2016**
- (51) **LOC (12) Cl.** ..... **23-03**
- (52) **U.S. Cl.**  
USPC ..... **D23/343; D23/332**
- (58) **Field of Classification Search**  
USPC ..... D23/332, 314, 343, 348, 341, 350, 346,  
D23/344, 347; D7/332-337, 402-405,  
D7/352  
CPC ..... F24C 1/16; F24C 5/00; F24C 3/14; A47J  
33/00; A47J 37/0763; A47J 37/07; A47J  
37/0781; A47J 37/0704; F24B 1/18; F24B  
1/182; F24B 1/1808; F24B 1/181; F24B  
1/195; F24B 1/191  
See application file for complete search history.

DE 3200283 A1 \* 7/1983 ..... A47J 37/0763

*Primary Examiner* — Michelle E. Wilson

*Assistant Examiner* — Ania Aman

(74) *Attorney, Agent, or Firm* — Withers & Keys, LLC

(57) **CLAIM**

The ornamental design for fire pit system, as shown and described.

**DESCRIPTION**

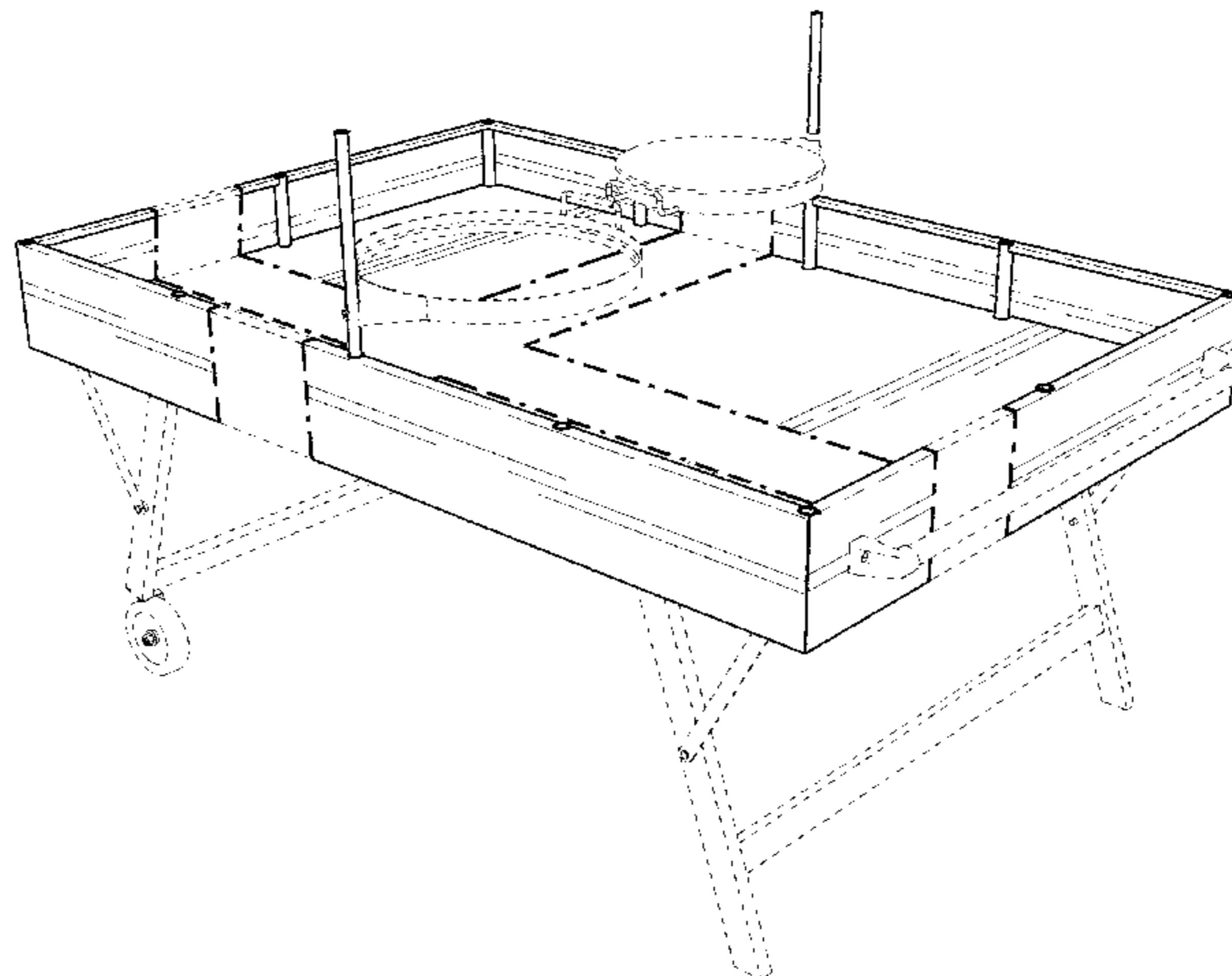
FIG. 1 is a perspective view of a fire pit system showing my new design;  
 FIG. 2 is a side view thereof as viewed from the left-hand side of the fire pit system shown in FIG. 1;  
 FIG. 3 is a side view thereof as viewed from the right-hand side of the fire pit system shown in FIG. 1;  
 FIG. 4 is a frontal view of the fire pit system shown in FIG. 1;  
 FIG. 5 is a rear view of the fire pit system shown in FIG. 1;  
 FIG. 6 is a top view thereof; and,  
 FIG. 7 is a perspective view of the fire pit system shown in FIG. 1 showing various accessories that may be used in fire pit system.  
 The evenly broken lines in the figure drawings represent unclaimed environment only and form no part of the claimed design. The dash-dot broken lines represent the boundaries and form no part of the claimed design.

(56) **References Cited**

**U.S. PATENT DOCUMENTS**

- 2,827,846 A \* 3/1958 Karkling ..... A47J 37/0763  
126/25 R
- 3,068,852 A \* 12/1962 Purtzer ..... A47J 37/0763  
108/33
- 3,641,922 A \* 2/1972 Nachazel ..... A47J 37/0772  
126/25 A
- 3,688,757 A \* 9/1972 Dusek ..... A47J 37/0763  
126/25 A
- 4,054,123 A \* 10/1977 Corter ..... A47J 37/0763  
126/25 R
- 4,462,306 A \* 7/1984 Eisendrath ..... A47J 37/067  
126/25 A

**1 Claim, 7 Drawing Sheets**



(56)

**References Cited**

## U.S. PATENT DOCUMENTS

D362,585 S \* 9/1995 Thompson ..... D7/337  
5,711,210 A \* 1/1998 Kaufman ..... A47J 27/10  
126/9 R  
6,029,646 A \* 2/2000 Jackson ..... A47J 37/0763  
126/25 A  
6,205,912 B1 \* 3/2001 Chiu ..... A47J 37/0704  
126/25 R  
7,856,924 B1 \* 12/2010 Stihl ..... A47J 37/0704  
126/25 A  
D796,655 S \* 9/2017 Horne, III ..... D23/336  
D812,957 S \* 3/2018 McGuinness ..... D7/334  
2006/0283438 A1 \* 12/2006 Lu ..... A47J 37/0704  
126/30  
2007/0180995 A1 \* 8/2007 Fromreide ..... B03C 3/16  
96/15  
2008/0314376 A1 \* 12/2008 Chung ..... A47J 37/0704  
126/25 R  
2009/0020109 A1 \* 1/2009 Rheault ..... A47J 33/00  
126/25 R  
2011/0061543 A1 \* 3/2011 Ingrassia ..... A47J 37/0704  
99/340  
2015/0047625 A1 \* 2/2015 Weil ..... A47J 37/0713  
126/25 A  
2015/0305561 A1 \* 10/2015 Andol ..... A47J 37/0704  
126/25 A  
2016/0031639 A1 \* 2/2016 Mayer ..... B08B 17/025  
220/23.88  
2016/0338534 A1 \* 11/2016 Van Der Westhuizen .....  
A47J 37/0704  
2017/0013999 A1 \* 1/2017 Horsfield ..... A47J 37/0763  
2017/0303741 A1 \* 10/2017 Horne, III ..... A47J 37/0704  
2018/0283696 A1 \* 10/2018 Manos ..... A47J 37/041

\* cited by examiner

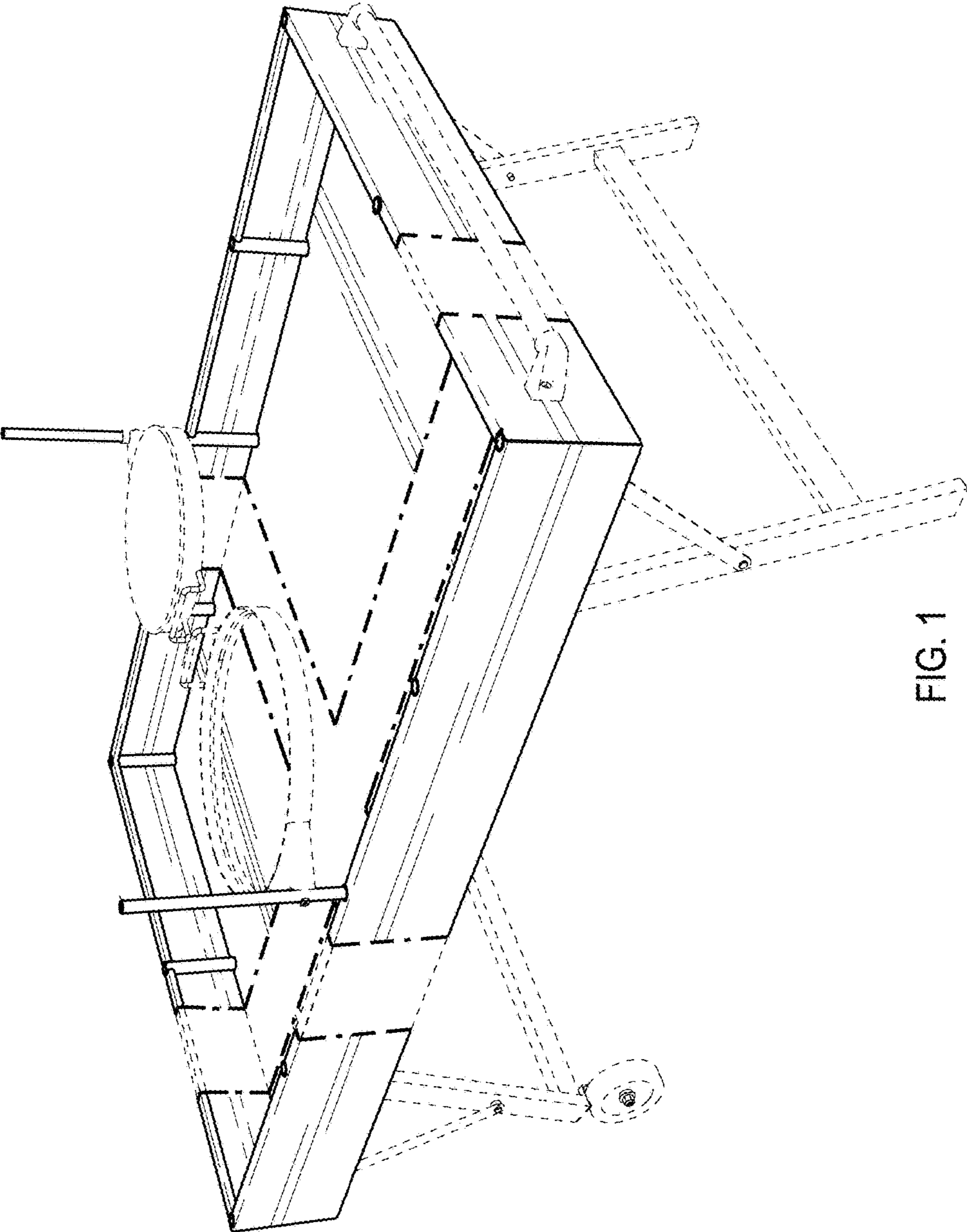


FIG. 1

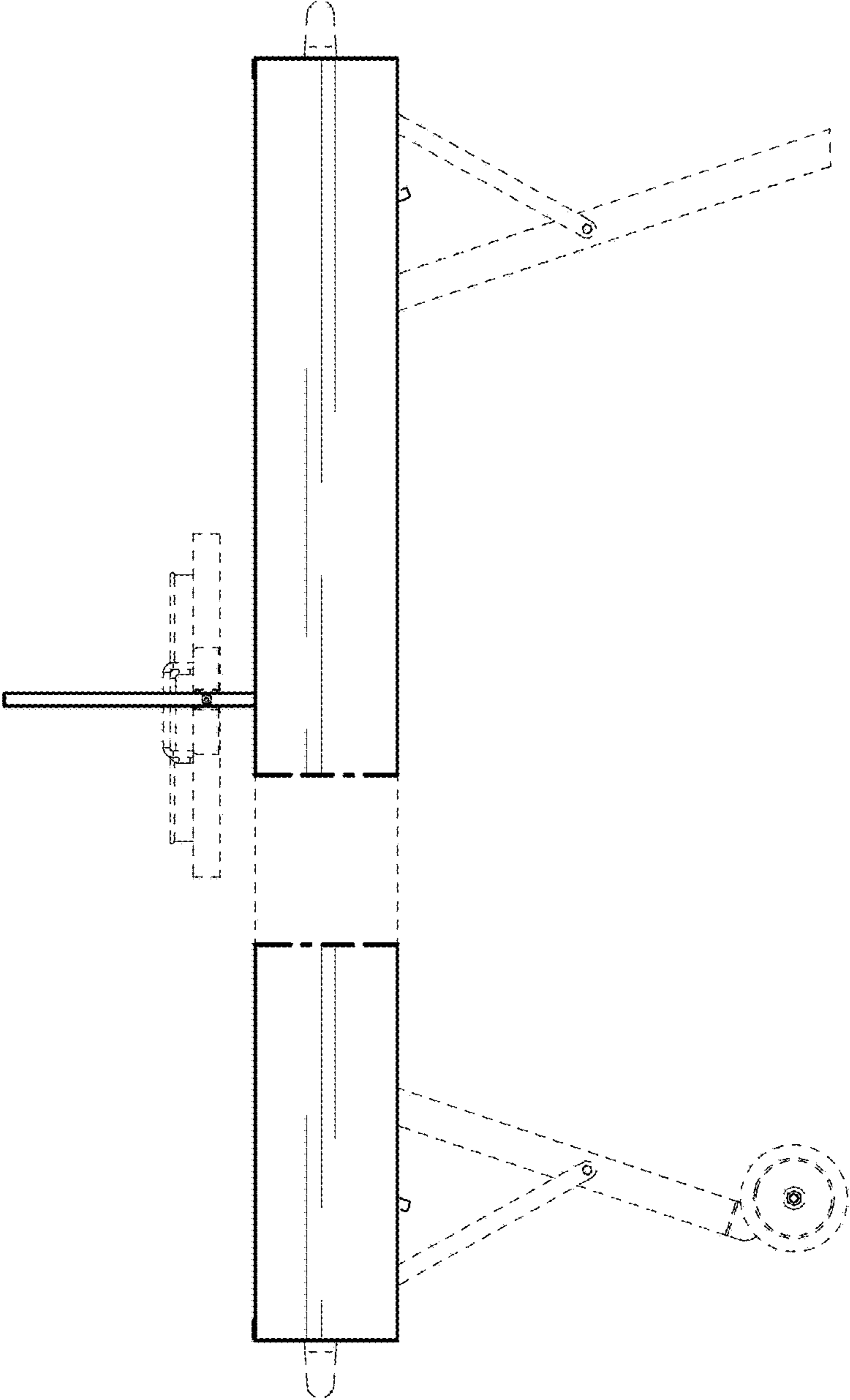


FIG. 2

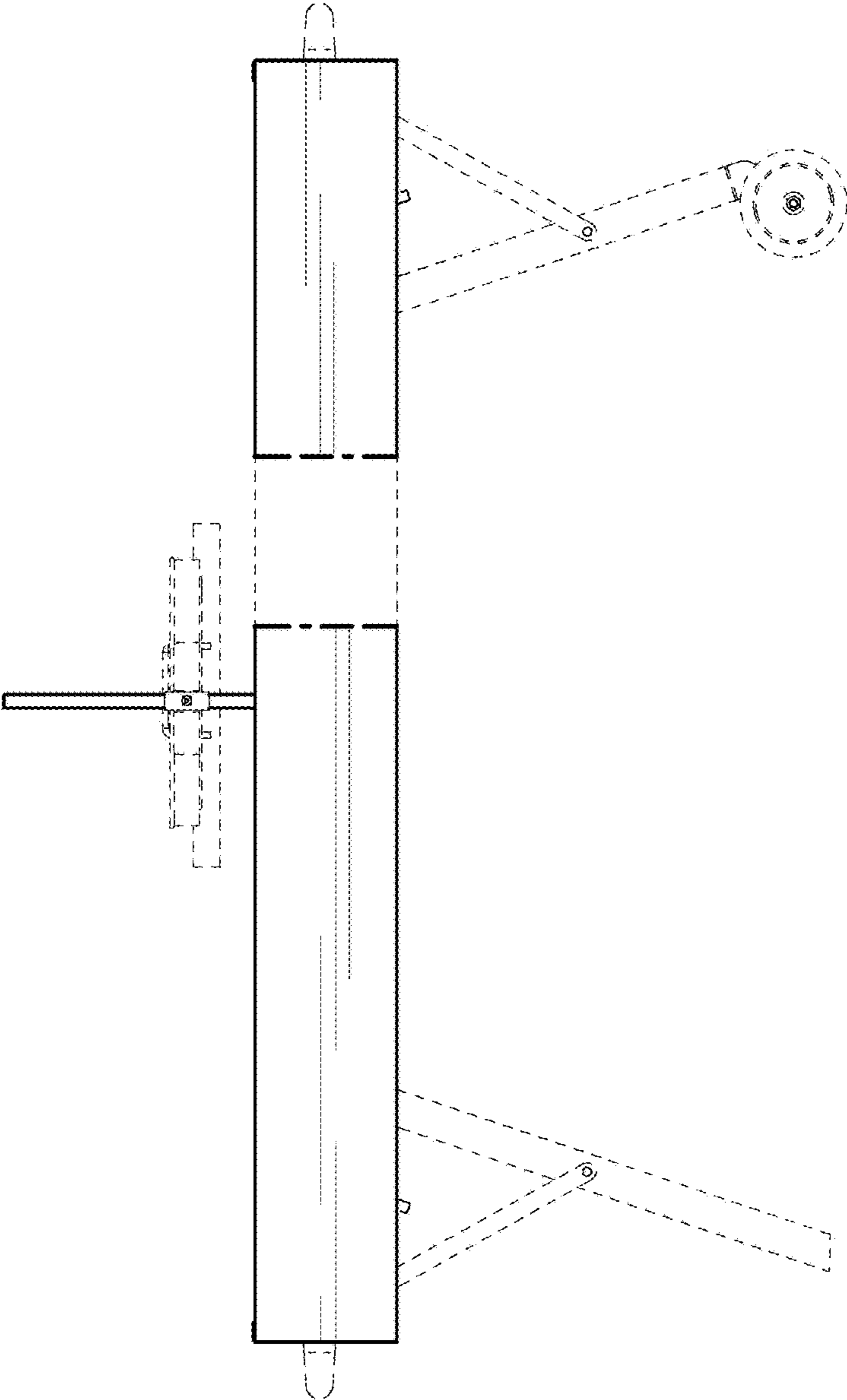


FIG. 3

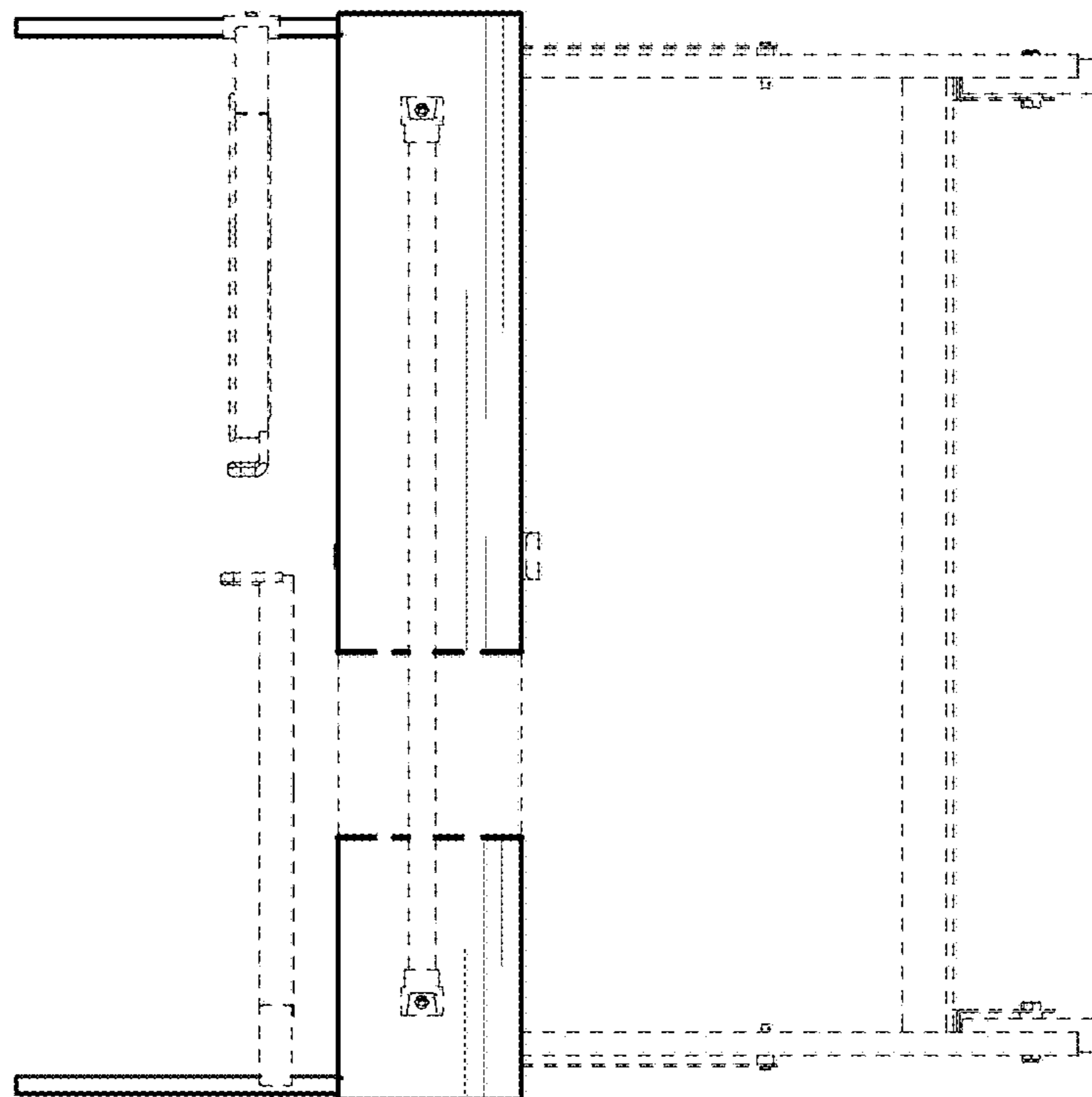


FIG. 4

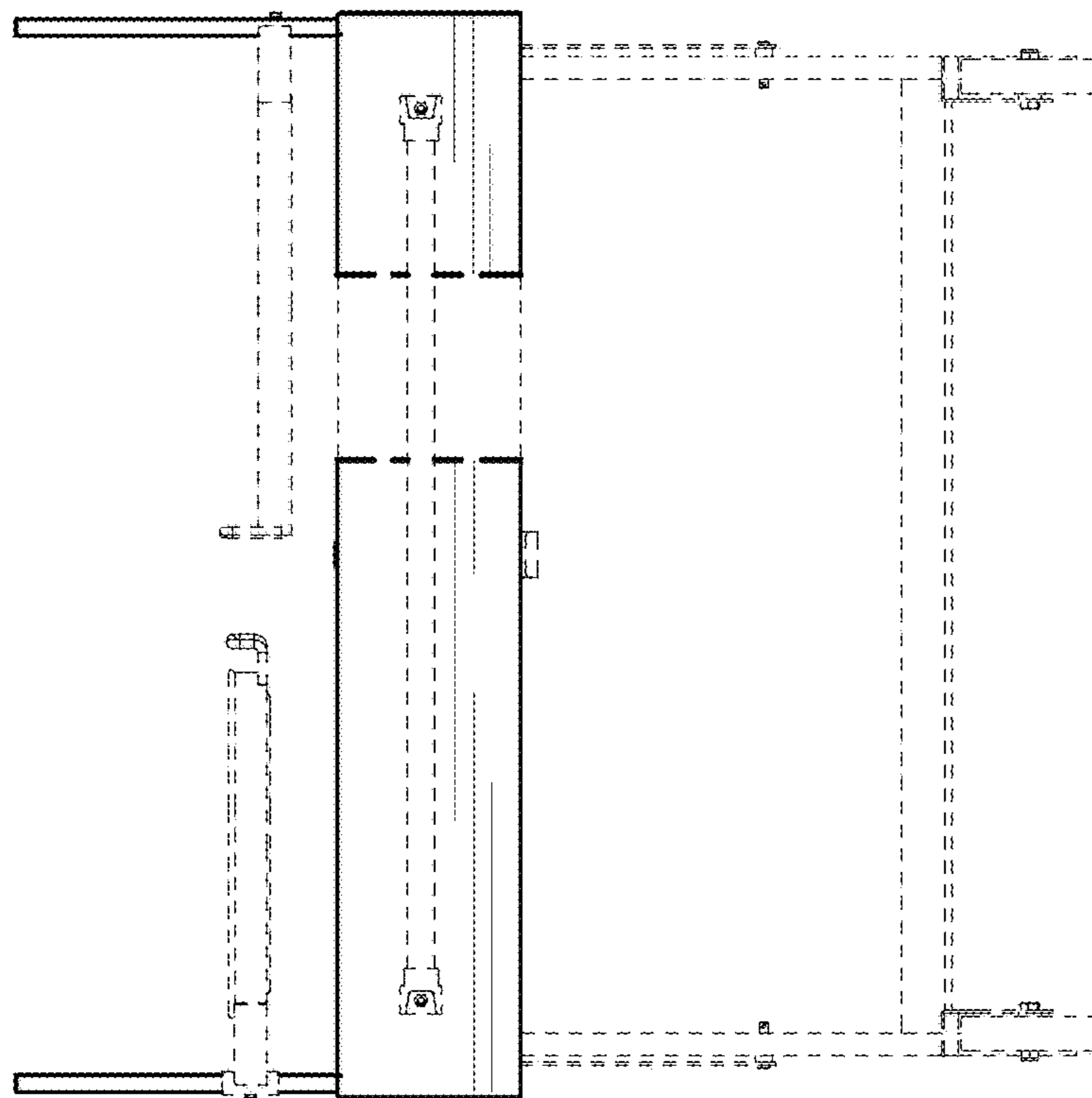


FIG. 5

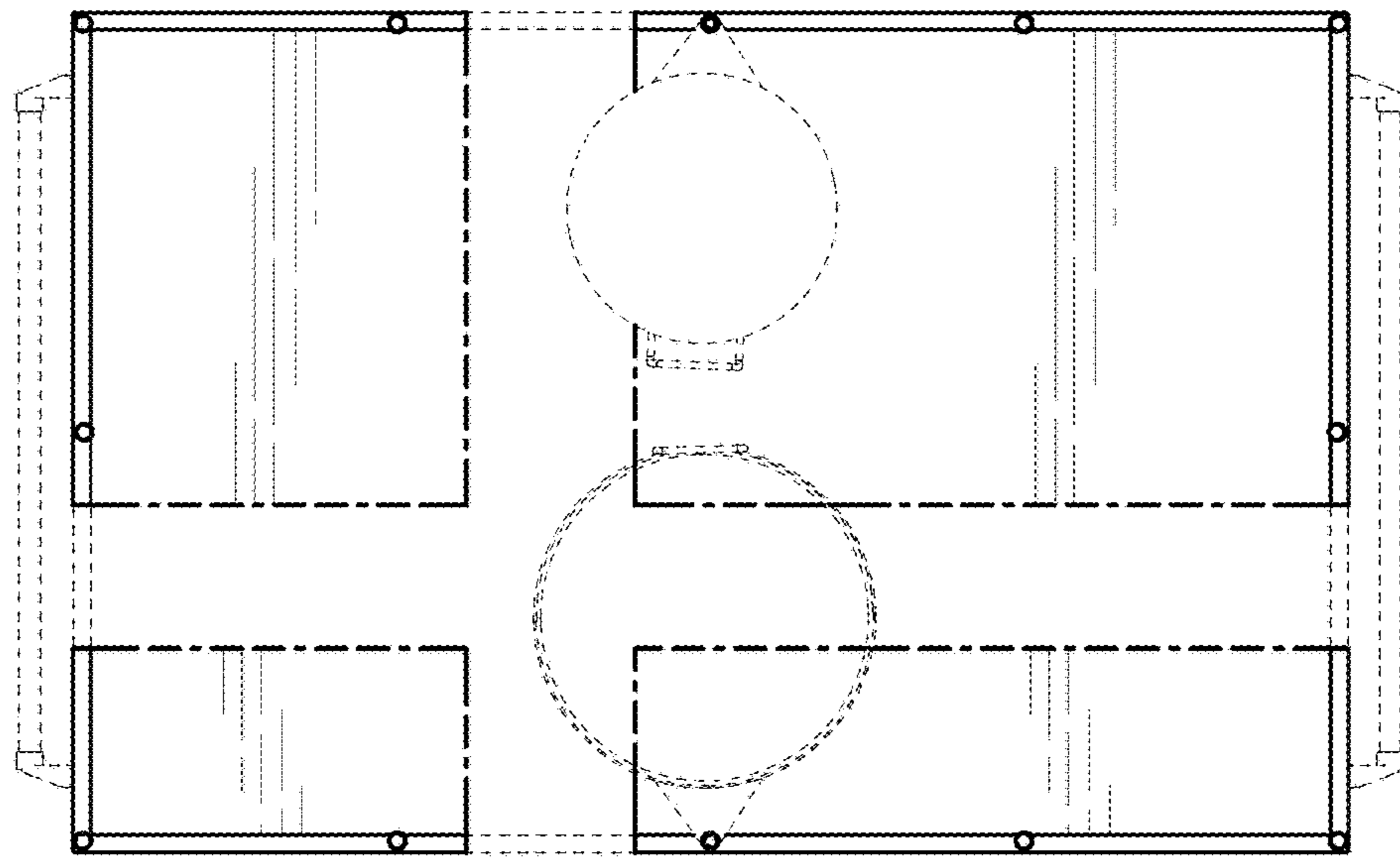


FIG. 6



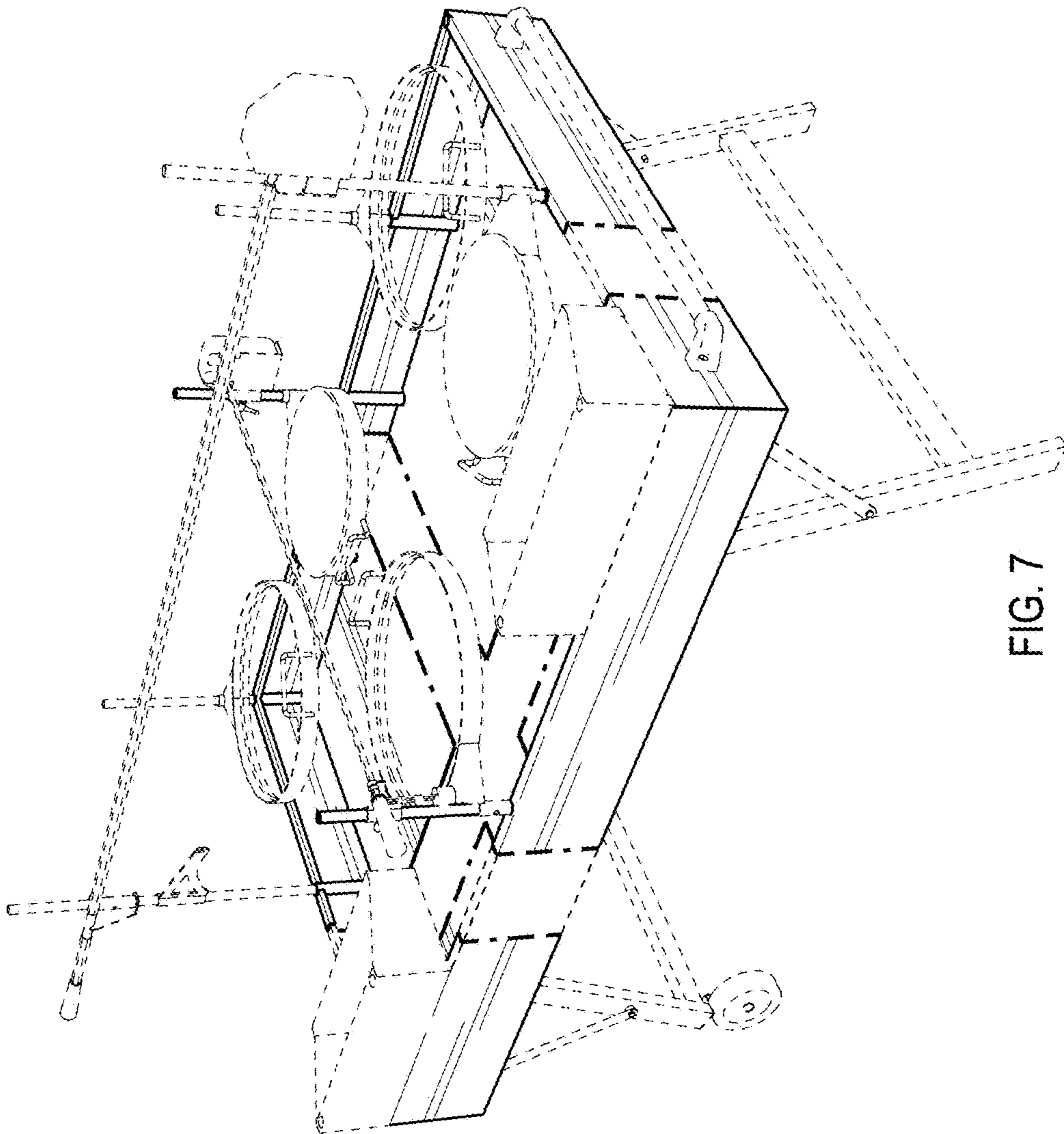


FIG. 7