



US00D862667S

(12) **United States Design Patent** (10) **Patent No.:** **US D862,667 S**
Stevenson et al. (45) **Date of Patent:** **** Oct. 8, 2019**

(54) **TOILET**
(71) Applicant: **Kohler Mira Limited**, Gloucestershire (GB)
(72) Inventors: **Robert Karl Stevenson**, London (GB); **Alexander Muspratt-Williams**, London (GB); **Mathias Hahn**, London (GB)
(73) Assignee: **KOHLER MIRA LIMITED** (GB)
(**) Term: **15 Years**
(21) Appl. No.: **29/618,848**
(22) Filed: **Sep. 25, 2017**

D576,716 S 9/2008 Kaule
D587,356 S 2/2009 Cummings
D592,293 S 5/2009 Maruhashi
D594,943 S 6/2009 Starck
D594,944 S 6/2009 Starck
D596,720 S 7/2009 Cummings
D612,026 S 3/2010 Soulier
D646,366 S 10/2011 Palomba
D654,993 S * 2/2012 Ando D23/301
D658,277 S 4/2012 Irandi
D663,391 S 7/2012 Irandi
D693,910 S 11/2013 Bates
D703,797 S 4/2014 Shinozaki
D755,357 S 5/2016 Pearson
D760,366 S 6/2016 Cummings
(Continued)

Related U.S. Application Data

(62) Division of application No. 29/566,094, filed on May 26, 2016, now Pat. No. Des. 801,491.
(51) **LOC (12) Cl.** **23-02**
(52) **U.S. Cl.**
USPC **D23/309**
(58) **Field of Classification Search**
USPC D23/295-301, 303, 309, 311-313
CPC A47K 11/02; A47K 11/026; A47K 11/00;
A47K 13/00; E03D 11/18; E03D 5/10;
E03D 13/00
See application file for complete search history.

Primary Examiner — Brandon M Rosati
Assistant Examiner — John A Voytek
(74) *Attorney, Agent, or Firm* — Foley & Larnder LLP

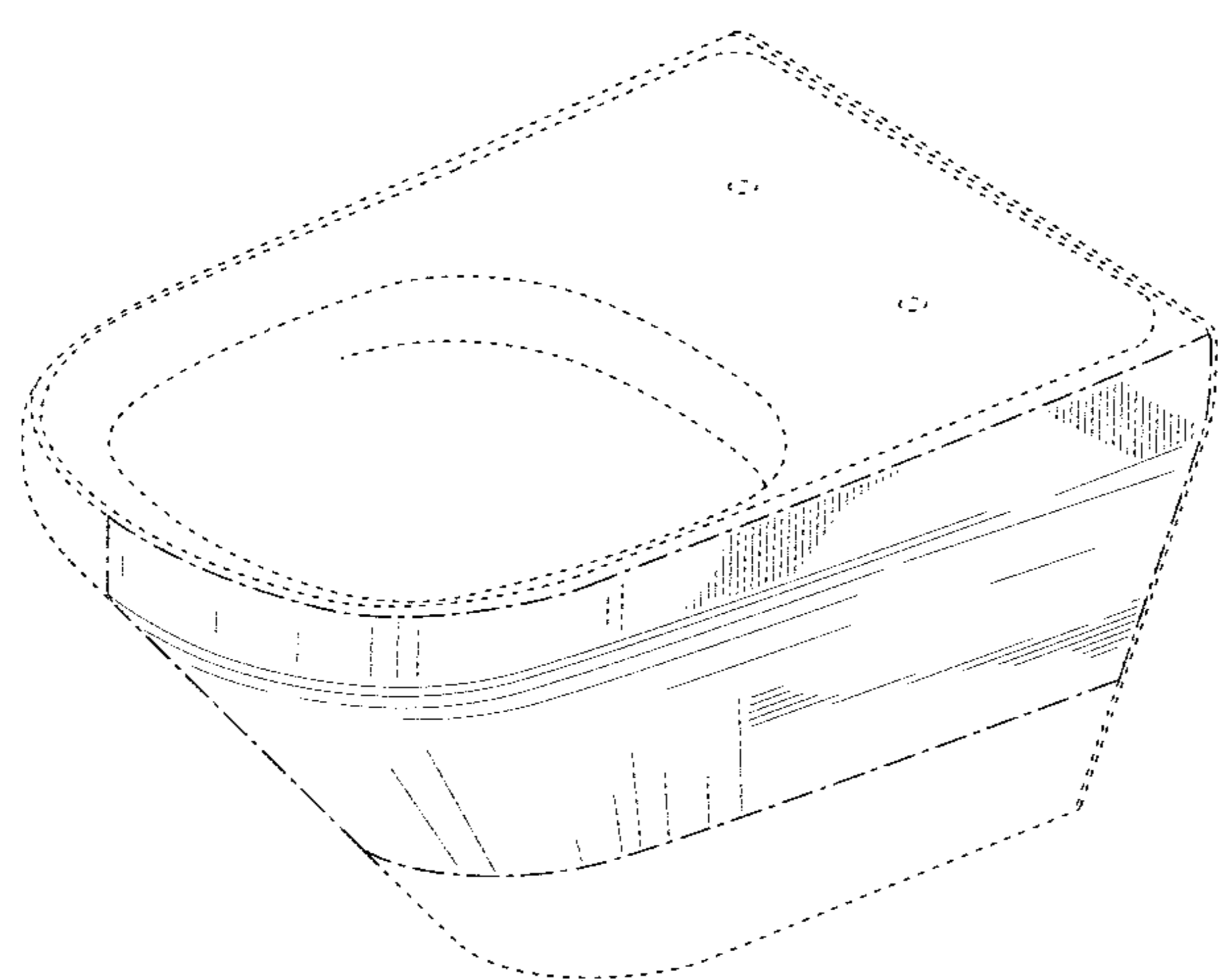
(57) **CLAIM**
We claim the ornamental design for a toilet, as shown and described.

DESCRIPTION

FIG. 1 is a perspective view of an embodiment of the claimed design;
FIG. 2 is a front view of the embodiment of FIG. 1;
FIG. 3 is a rear view of the embodiment of FIG. 1;
FIG. 4 is a side view of the embodiment of FIG. 1;
FIG. 5 is another side view of the embodiment of FIG. 1;
FIG. 6 is a top view of the embodiment of FIG. 1; and,
FIG. 7 is a bottom view of the embodiment of FIG. 1.
The ornamental design which is claimed is shown in solid lines in the drawings. The broken lines in the drawings form no part of the claimed design. Broken lines formed by equal length dashes show unclaimed subject matter. Broken lines formed of unequal length dashes (i.e., dash-dot) define bounds of the claimed design.

(56) **References Cited**
U.S. PATENT DOCUMENTS
D354,341 S 1/1995 Kohler, Jr. et al.
D355,025 S 1/1995 Kohler, Jr. et al.
D444,217 S 6/2001 McMahon
D455,477 S 4/2002 Soulier
D494,667 S 8/2004 Kergoet
D496,444 S 9/2004 Kergoet
D509,575 S 9/2005 Kergoet
D520,614 S 5/2006 Tani

1 Claim, 7 Drawing Sheets



(56)

References Cited

U.S. PATENT DOCUMENTS

D764,033	S	8/2016	Chuk	
D765,228	S	8/2016	Cummings	
D801,490	S *	10/2017	Stevenson	D23/295
D801,491	S	10/2017	Stevenson	
D802,105	S *	11/2017	Stevenson	D23/301
D802,106	S *	11/2017	Stevenson	D23/301
D822,183	S *	7/2018	Stevenson	D23/309
D829,310	S *	9/2018	Stevenson	D23/309

* cited by examiner

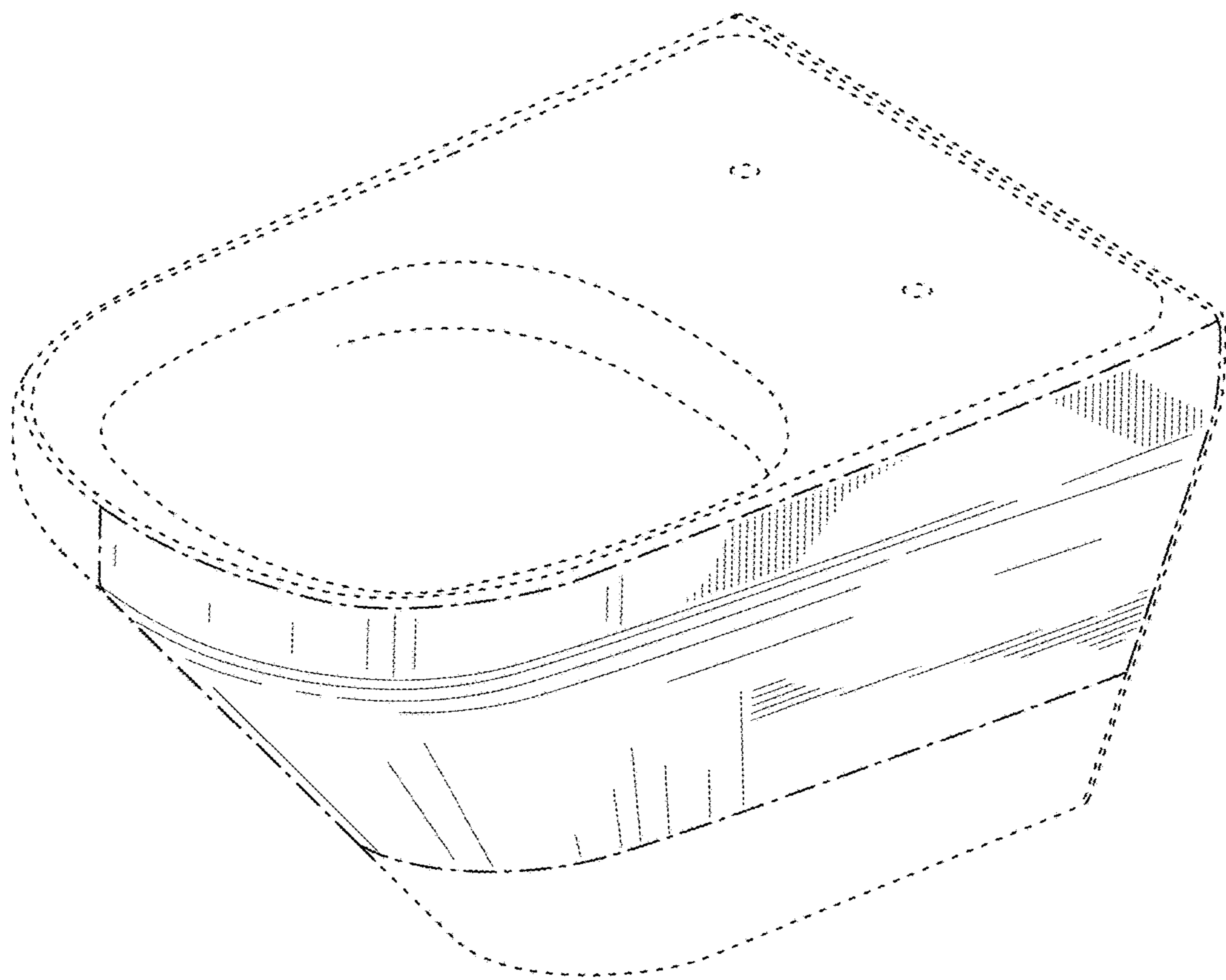


FIG. 1

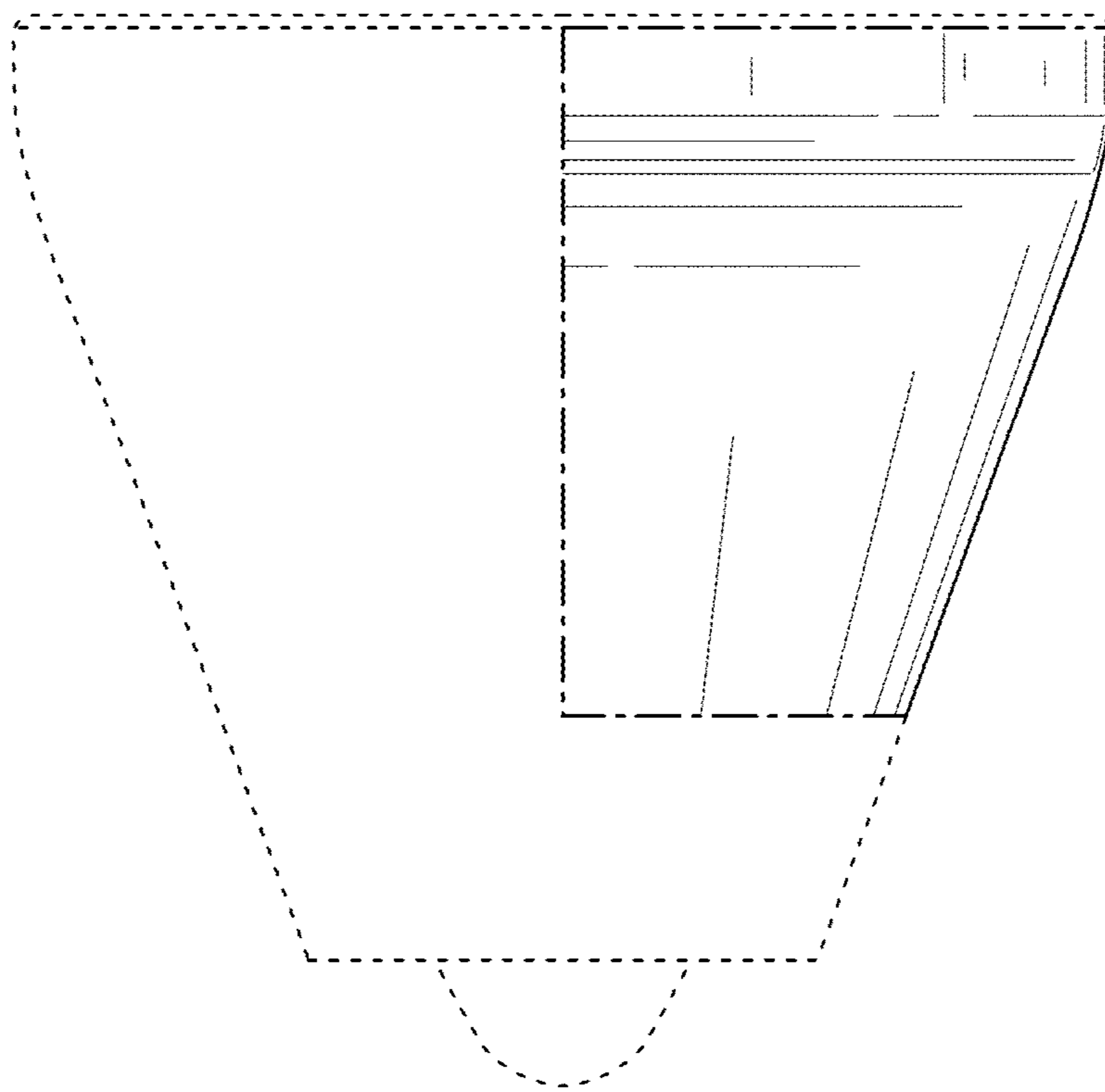


FIG. 2

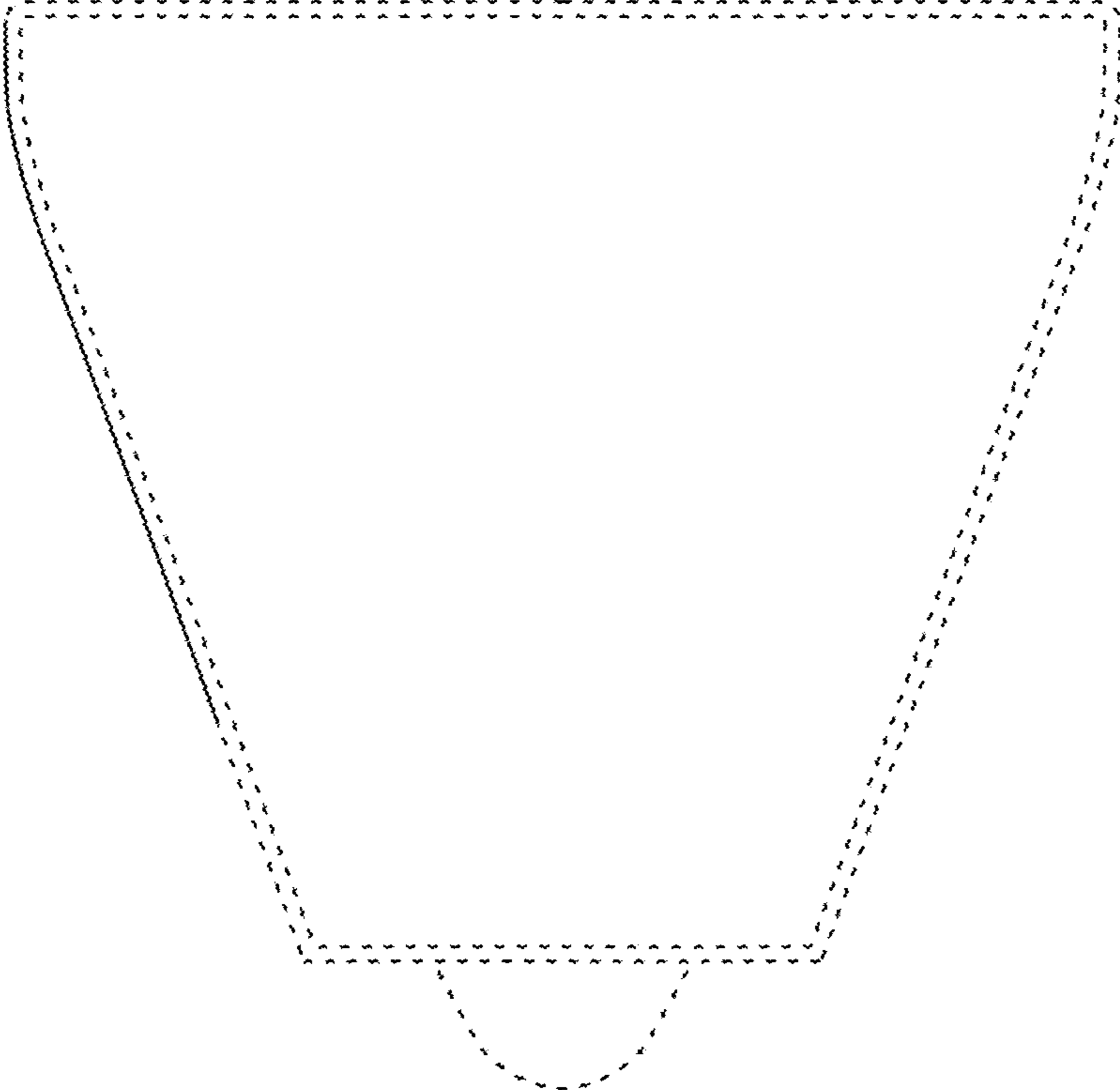


FIG. 3

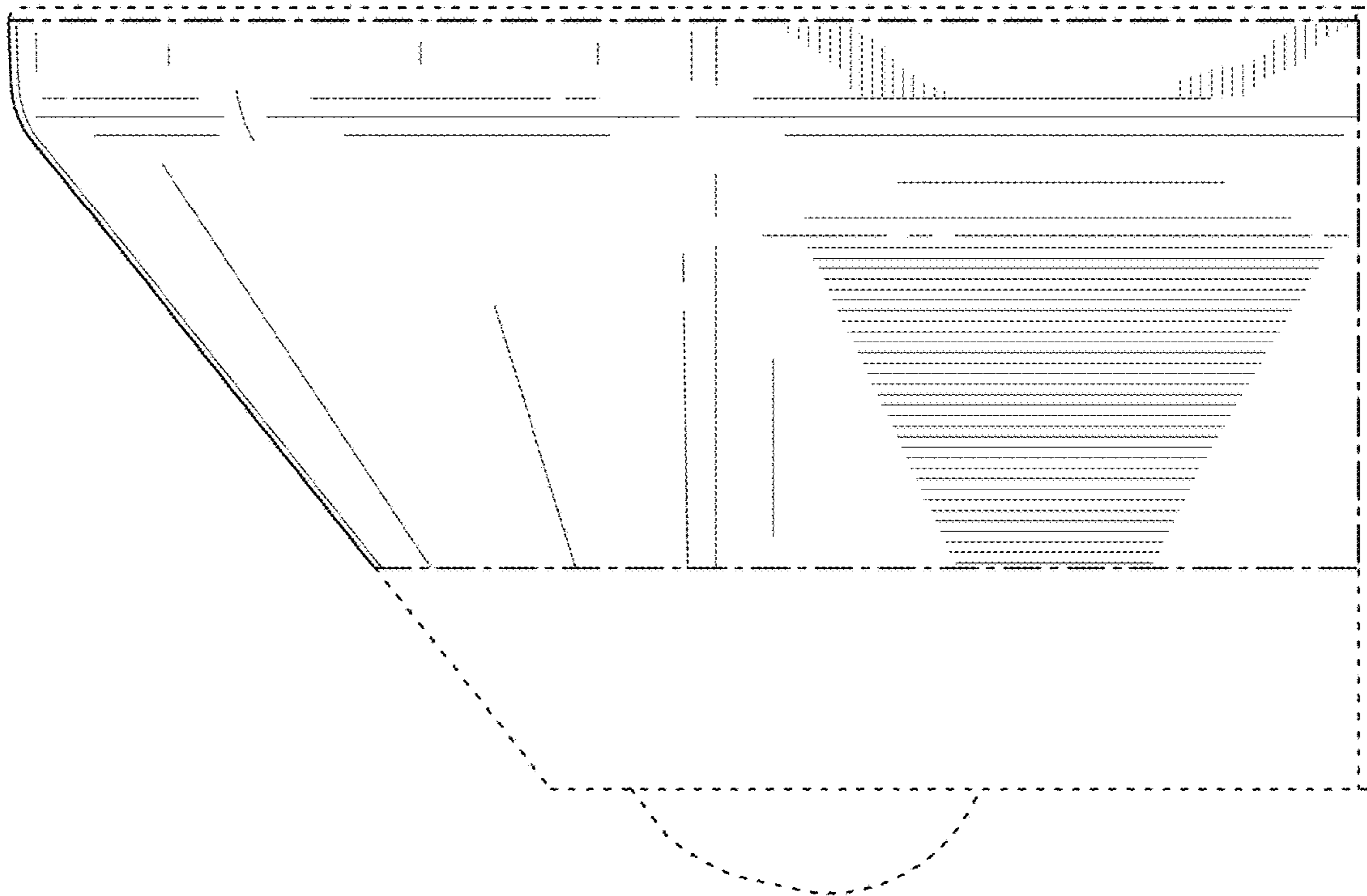


FIG. 4

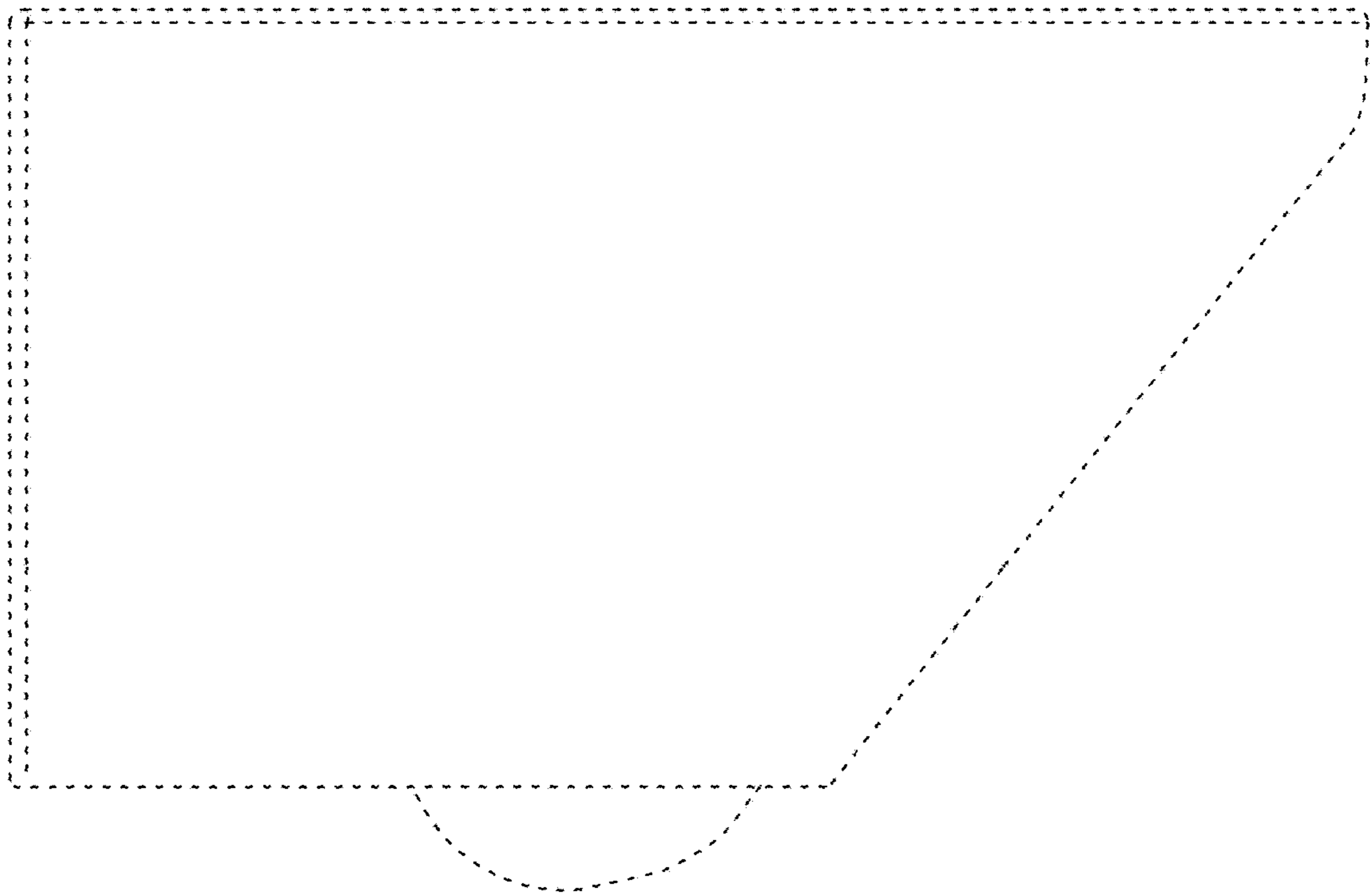


FIG. 5

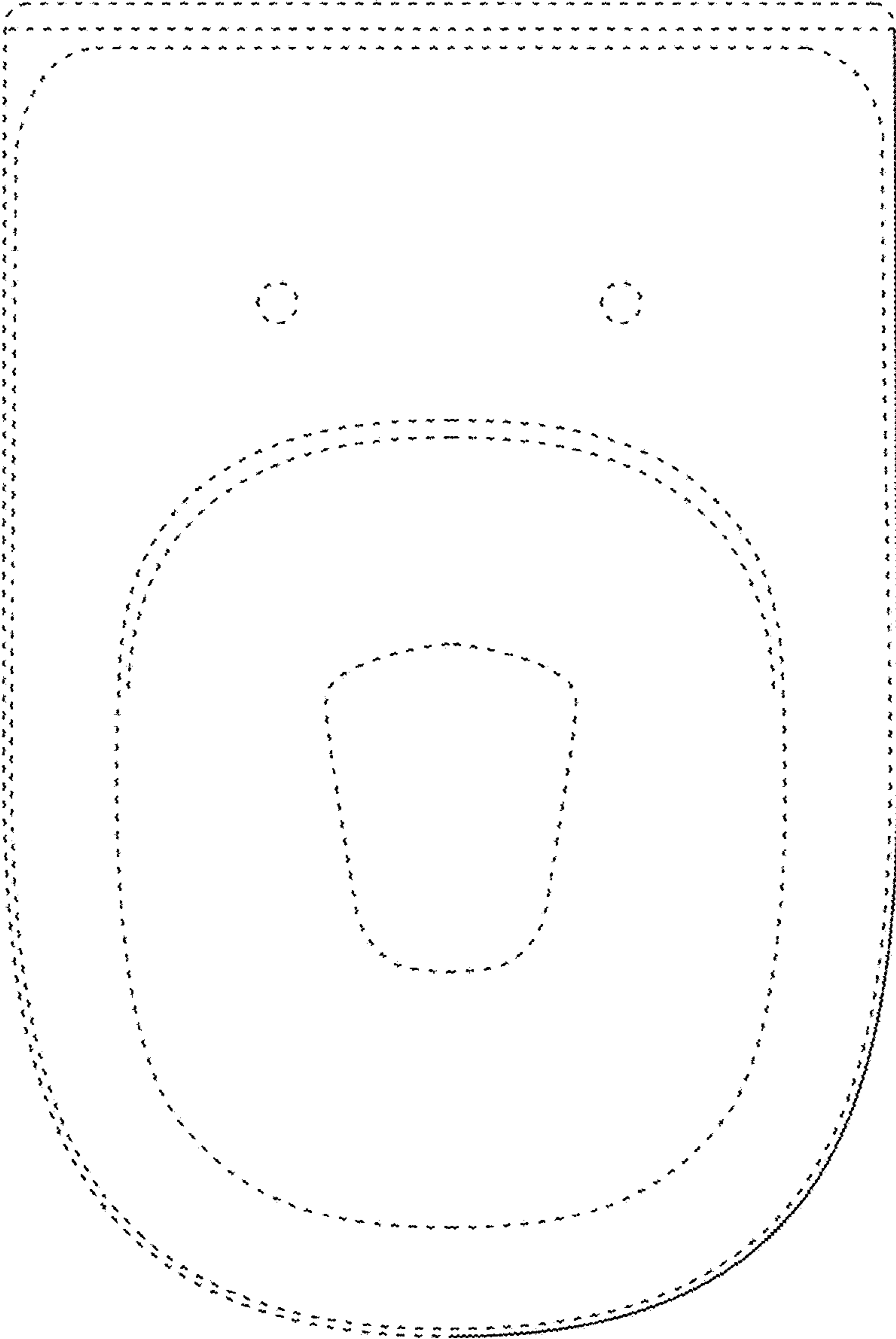


FIG. 6

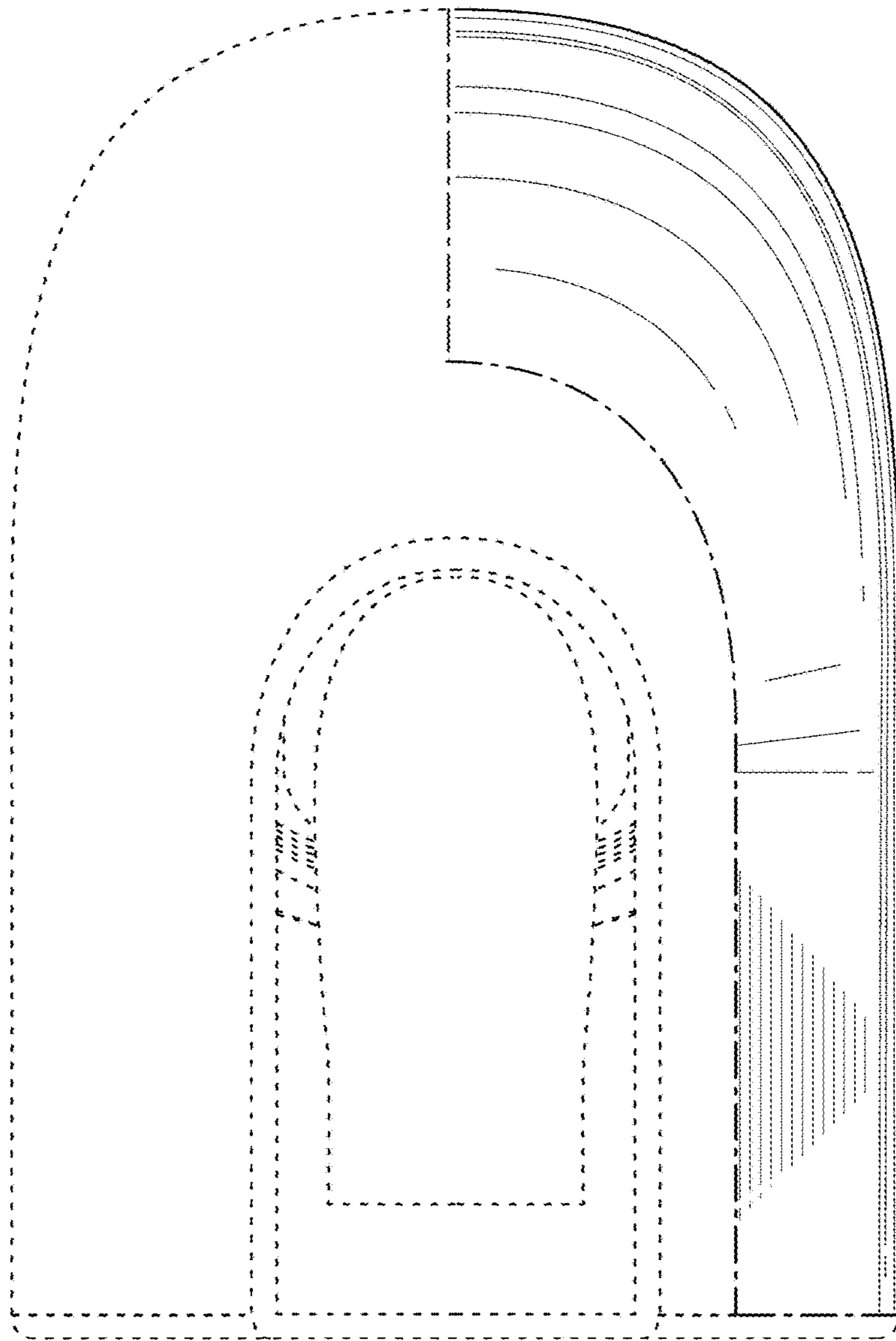


FIG. 7