

US00D862666S

(12) **United States Design Patent**  
**Song et al.**

(10) **Patent No.:** **US D862,666 S**  
(45) **Date of Patent:** **\*\* Oct. 8, 2019**

(54) **BIDET**

OTHER PUBLICATIONS

(71) Applicant: **AS AMERICA, INC.**, Piscataway, NJ (US)  
(72) Inventors: **Ki Bok Song**, Plainview, NY (US);  
**Jean-Jacques L’Henaff**, New Canaan, CT (US)  
(73) Assignee: **AS America, Inc.**, Piscataway, NJ (US)  
(\*\*) Term: **15 Years**

Japanese Office Action in corresponding Japanese Design Patent Application No. 2018-013556 dated Nov. 30, 2018 (4 pages).

\* cited by examiner

*Primary Examiner* — Robert A Delehanty  
(74) *Attorney, Agent, or Firm* — Michele V. Frank; Venable LLP

(21) Appl. No.: **29/630,375**  
(22) Filed: **Dec. 20, 2017**  
(51) **LOC (12) Cl.** ..... **23-02**  
(52) **U.S. Cl.**  
USPC ..... **D23/295**  
(58) **Field of Classification Search**  
USPC ..... D23/303, 311–312, 295  
CPC ..... A47K 13/00; A47K 13/06; A47K 13/24  
See application file for complete search history.

(57) **CLAIM**

The ornamental design for a bidet, as shown and described.

**DESCRIPTION**

FIG. 1 is a perspective view of an embodiment of the claimed design;  
FIG. 2 is a front view thereof;  
FIG. 3 is a rear view thereof;  
FIG. 4 is a right view thereof;  
FIG. 5 is a left view thereof;  
FIG. 6 is a top view thereof; and,  
FIG. 7 is a bottom view thereof.

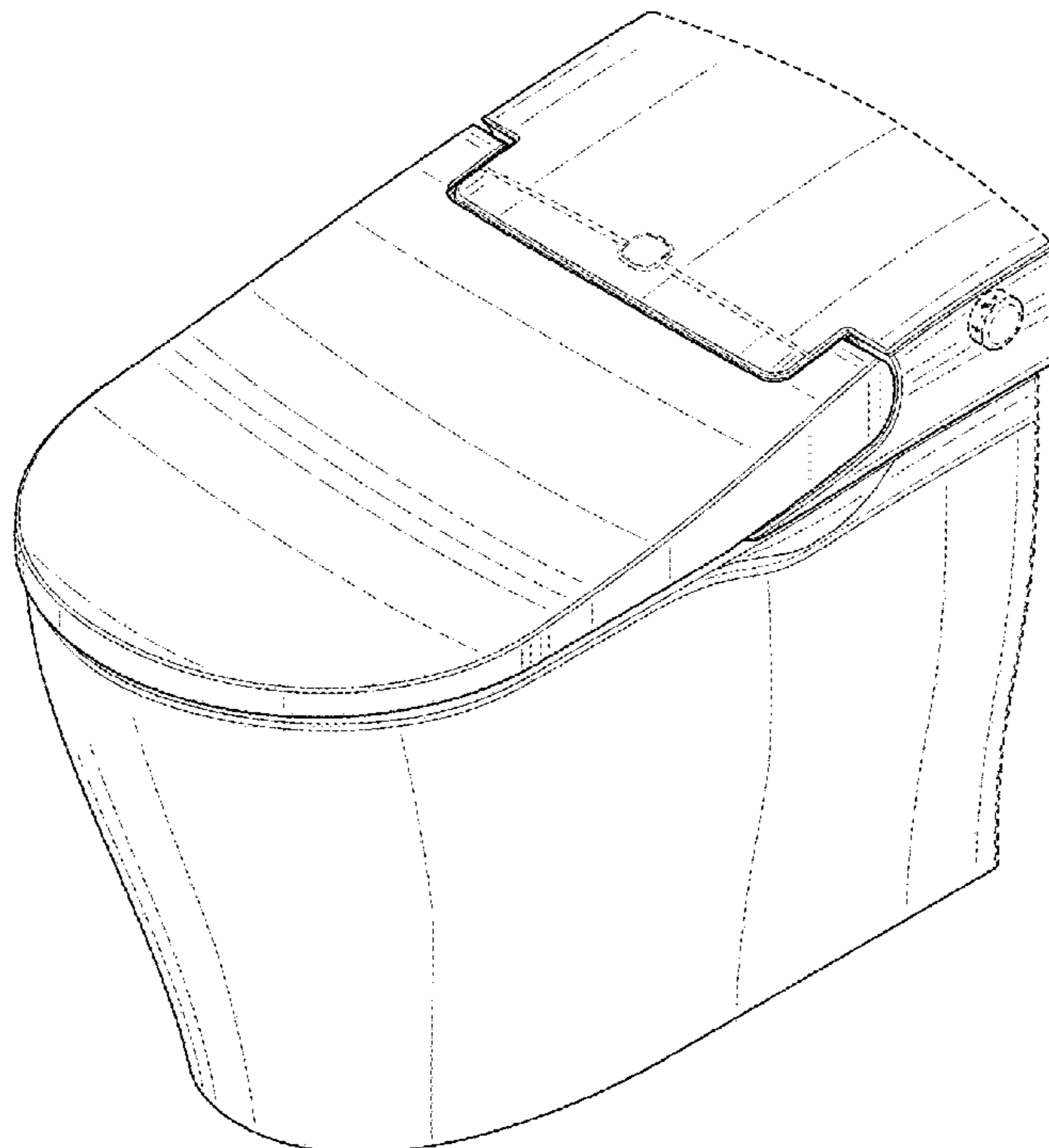
The features shown in broken lines form no part of the claimed design.

(56) **References Cited**

U.S. PATENT DOCUMENTS

D704,316 S *	5/2014	Ishikawa	.....	D23/295
D732,150 S *	6/2015	Jung	.....	D23/295
D766,405 S *	9/2016	Flowers	.....	D23/300
D810,898 S *	2/2018	Tsudoku	.....	D23/295

**1 Claim, 7 Drawing Sheets**



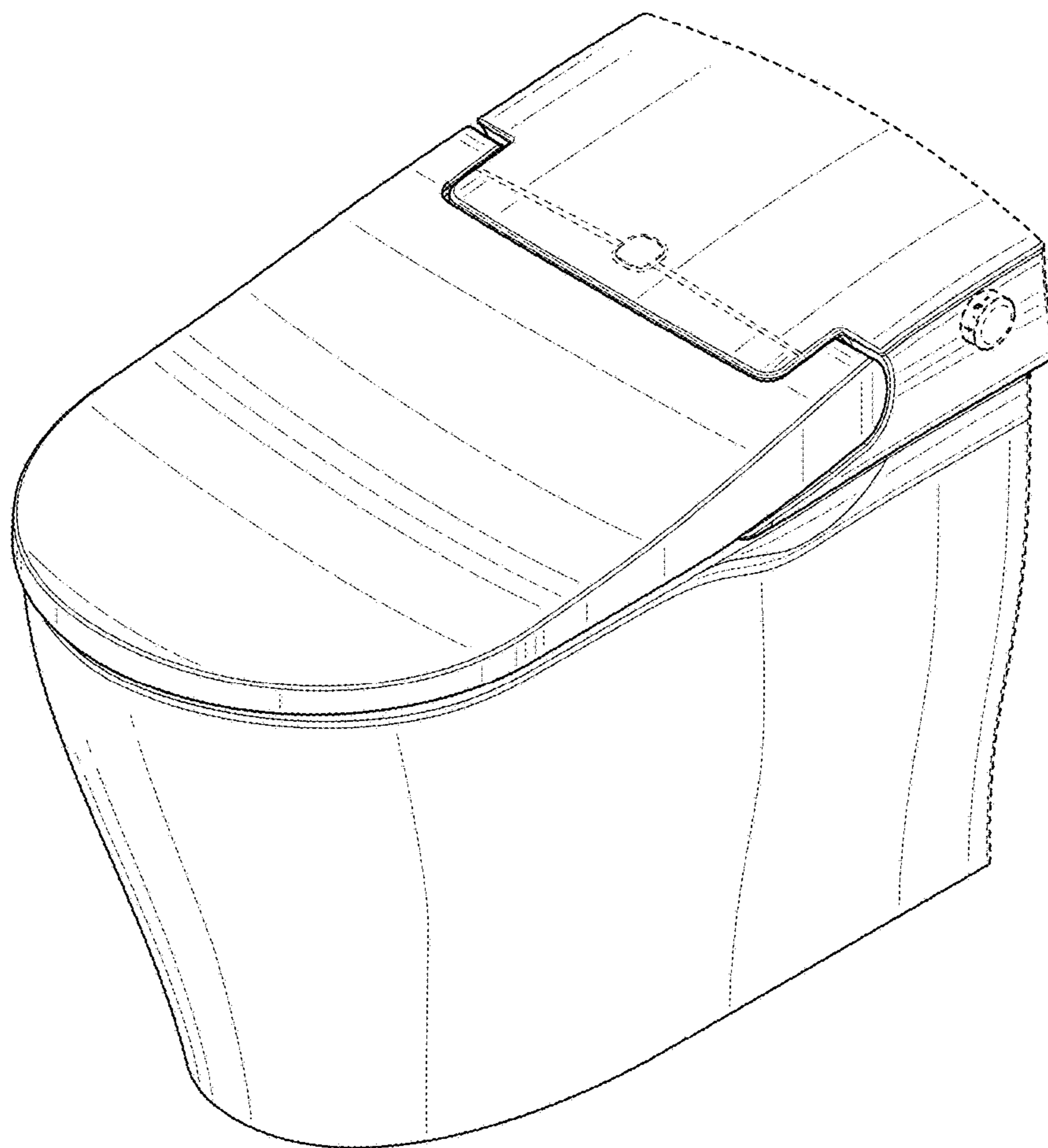


FIG. 1

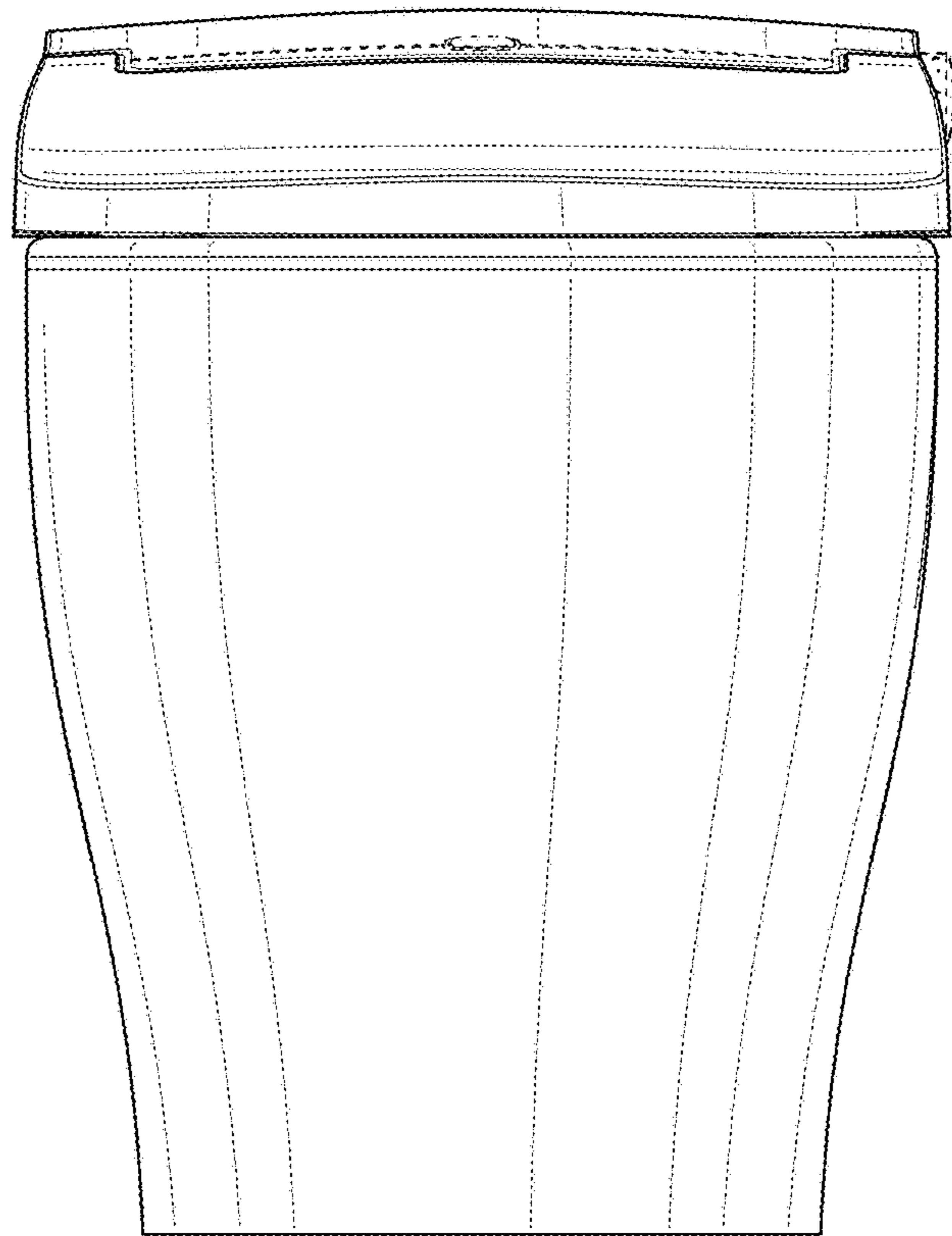


FIG. 2

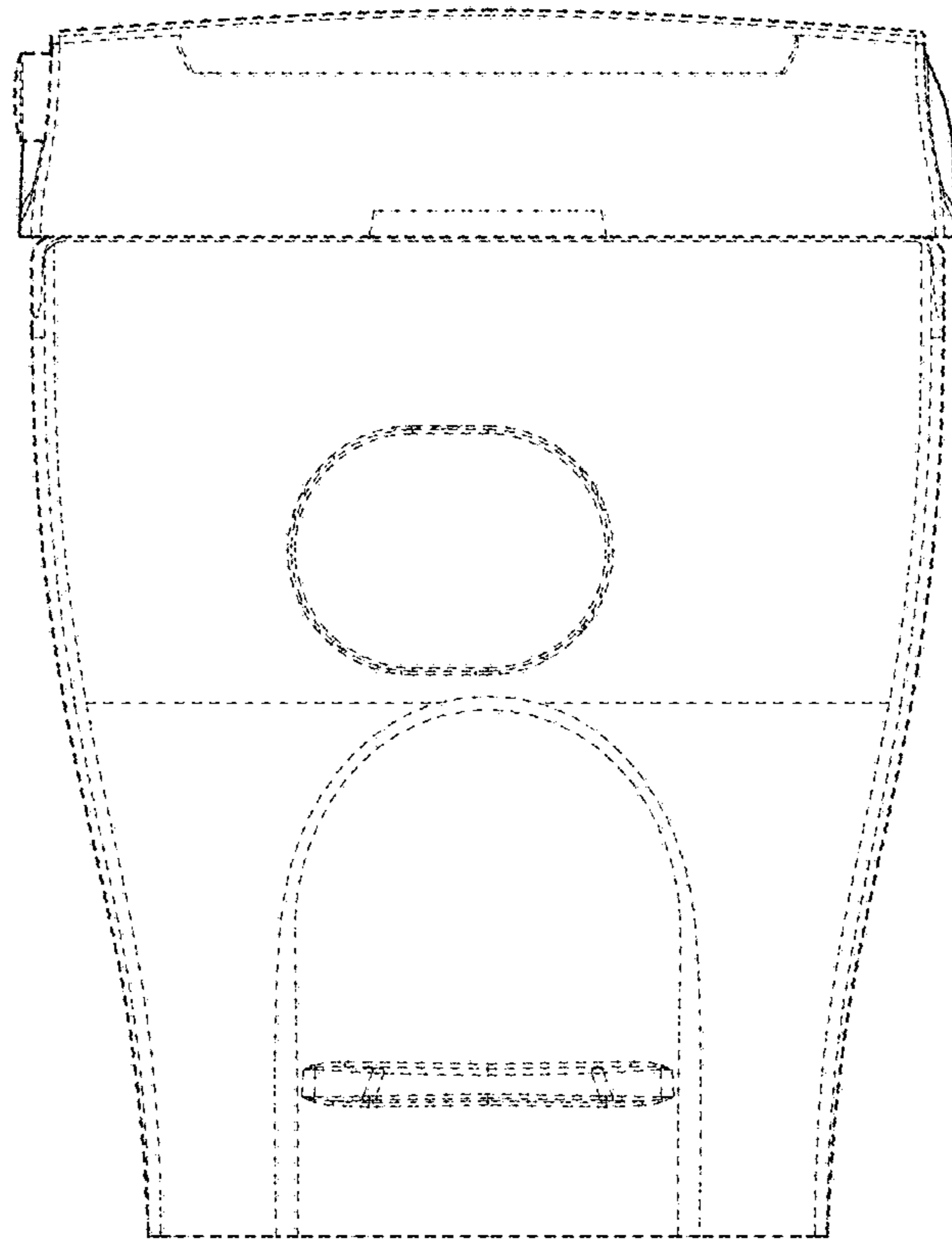


FIG. 3

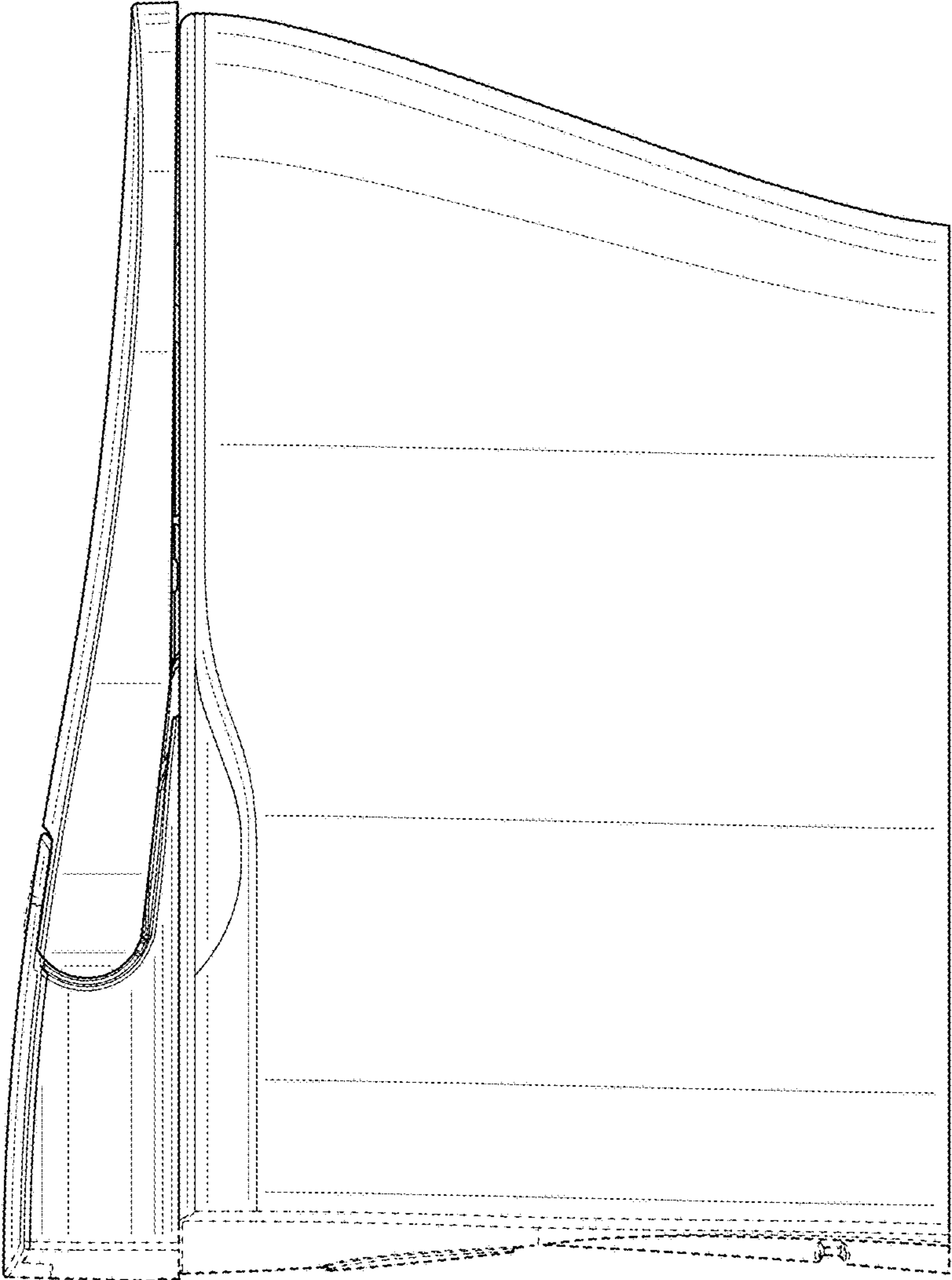


FIG. 4

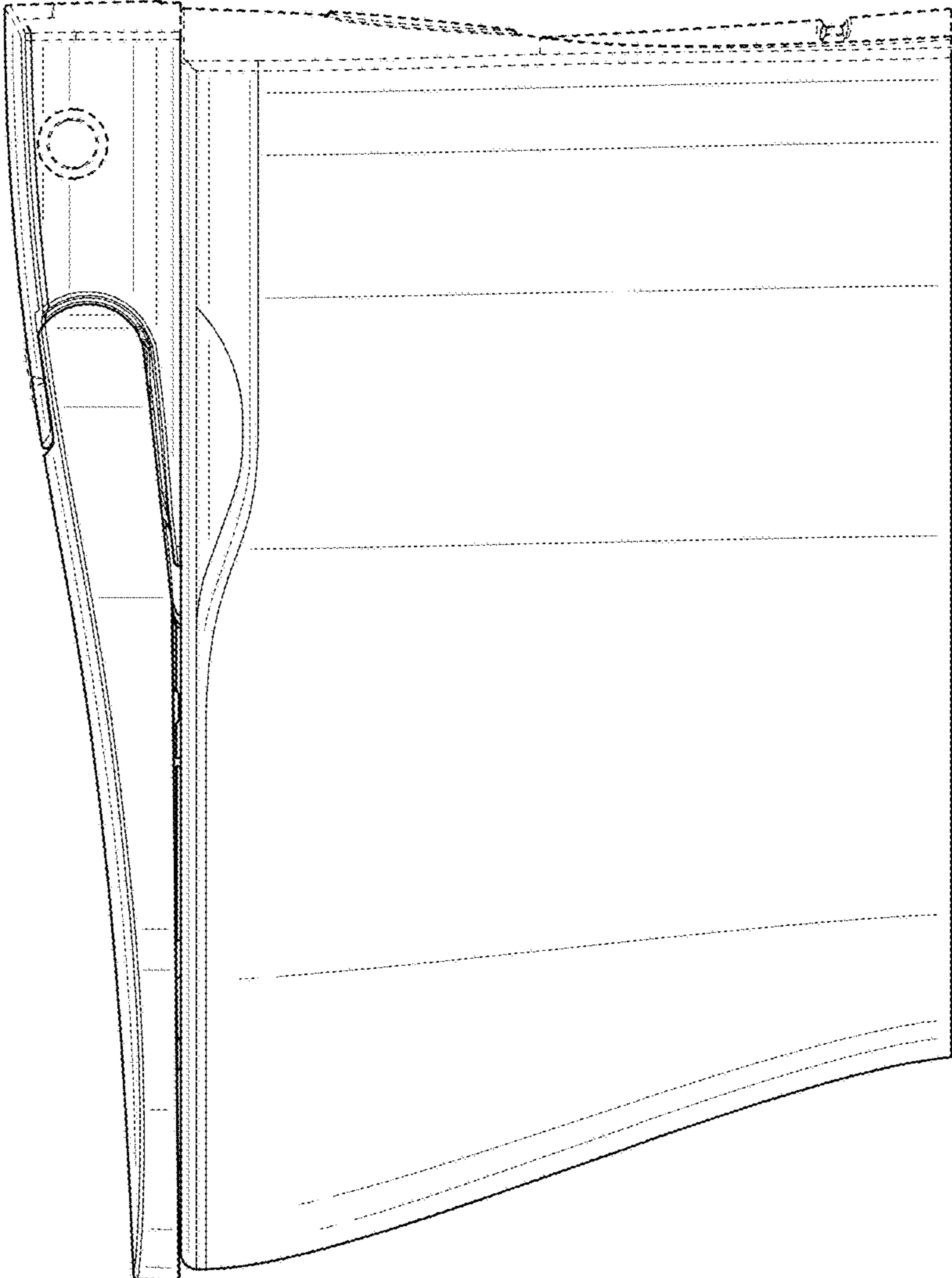


FIG. 5

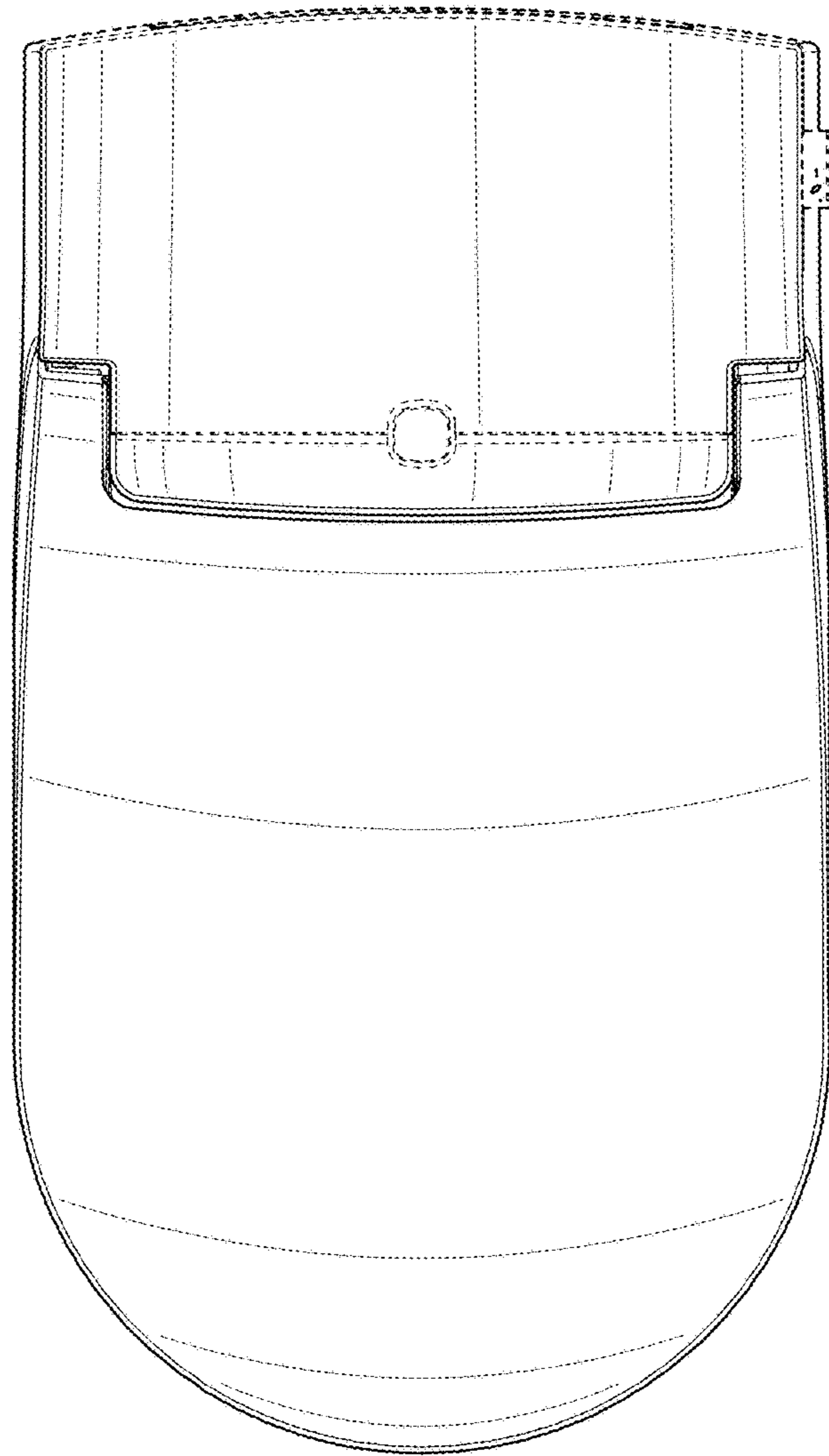


FIG. 6

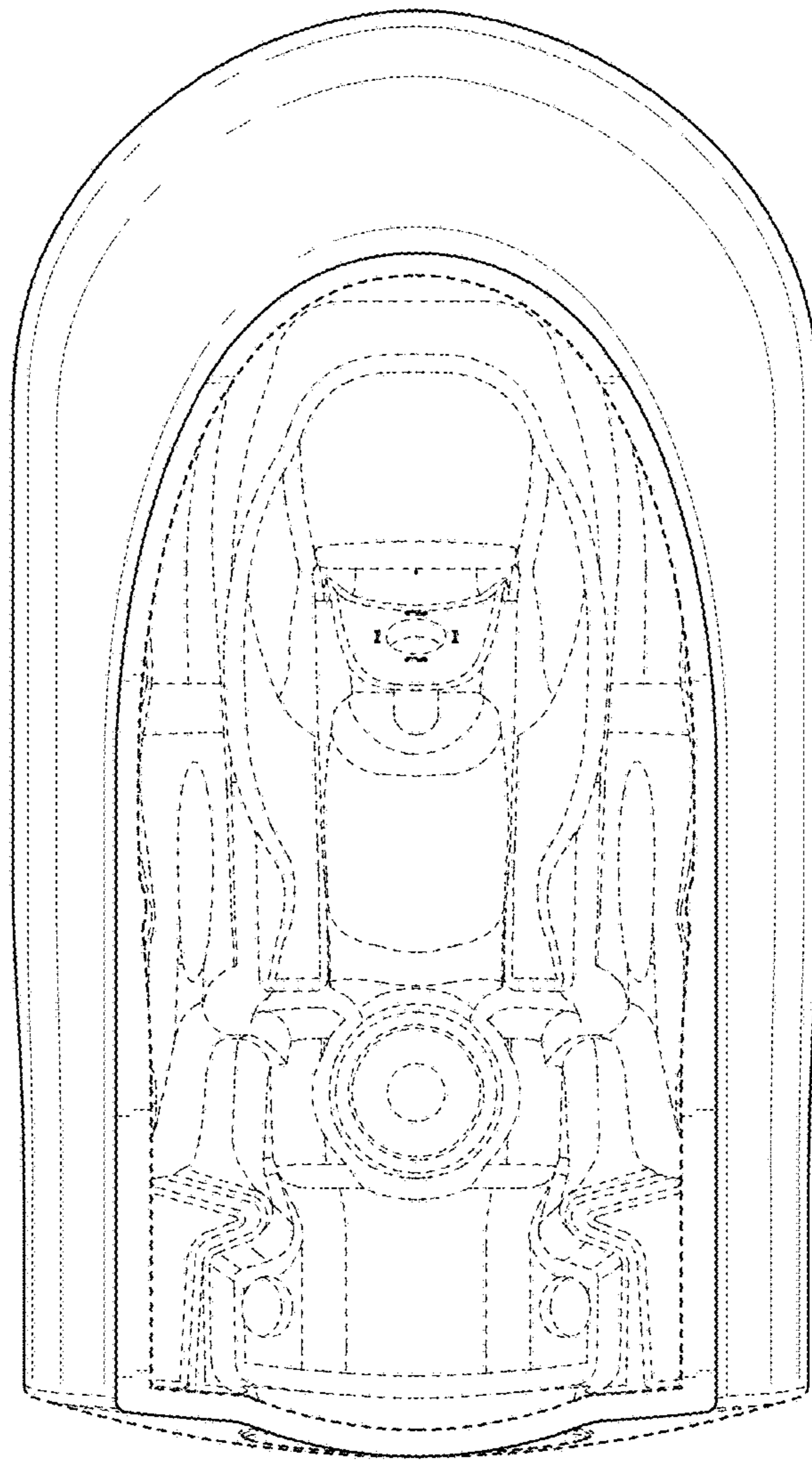


FIG. 7