

US00D862665S

(12) **United States Design Patent** (10) **Patent No.:** **US D862,665 S**
Keizers (45) **Date of Patent:** **** Oct. 8, 2019**

(54) **SHOWER DRAIN**
(71) Applicant: **EASY SANITARY SOLUTIONS B.V.**, Oldenzaal (NL)
(72) Inventor: **Jurgen Hendrik Peter Joseph Keizers**, Oldenzaal (NL)
(73) Assignee: **Easy Sanitary Solutions BV**, Oldenzaal (NL)
(**) Term: **15 Years**
(21) Appl. No.: **35/503,477**
(22) Filed: **Apr. 4, 2016**
(80) **Hague Agreement Data**
Int. Filing Date: **Apr. 4, 2016**
Int. Reg. No.: **DM/097161**
Int. Reg. Date: **Apr. 4, 2016**
Int. Reg. Pub. Date: **Aug. 11, 2017**
(51) **LOC (12) Cl.** **23-01**
(52) **U.S. Cl.**
USPC **D23/261**
(58) **Field of Classification Search**
USPC D23/259, 260, 261, 262, 263, 264, 265, D23/266, 267, 268, 269, 287; D25/149-159; D7/332; D24/129; 4/13
CPC E03F 5/0408; E03F 5/0409; E03F 5/06; E03F 2500/0413; E03F 2500/0415; E03F 2500/0416; Y10T 137/6988; E04D 13/0409; E04D 13/04; E04D 13/064
See application file for complete search history.

(56) **References Cited**
U.S. PATENT DOCUMENTS
D246,251 S * 11/1977 Hirsch D23/269
D497,977 S * 11/2004 Engelbrektsson D23/269
D585,940 S 2/2009 Lin

D657,848 S * 4/2012 Howson D23/261
8,239,974 B2 8/2012 Erlebach
8,474,068 B2 7/2013 Kik, Sr. et al.
8,474,069 B1 7/2013 Whiting
8,475,079 B2 7/2013 Humphries et al.
8,505,131 B2 8/2013 Doolittle et al.
8,850,633 B2 10/2014 Erlebach
9,127,446 B2 9/2015 Schlueter
D742,483 S 11/2015 Chapman et al.
D754,305 S * 4/2016 Papadatos D23/261
9,334,638 B1 5/2016 Kirby
9,382,701 B2 7/2016 Meyers
9,611,634 B2 4/2017 Erlebach
D785,766 S * 5/2017 Sato D23/259
D787,646 S * 5/2017 Davis D23/259
D792,954 S 7/2017 Sander et al.
D809,635 S 2/2018 Licini
D829,306 S * 9/2018 Ikedo D23/261
2007/0017578 A1 * 1/2007 Dallmer E03F 5/0408
137/362
2007/0274781 A1 11/2007 Aubusson et al.
2008/0104910 A1 5/2008 Andras et al.
2009/0119831 A1 * 5/2009 Grave A47K 3/40
4/613

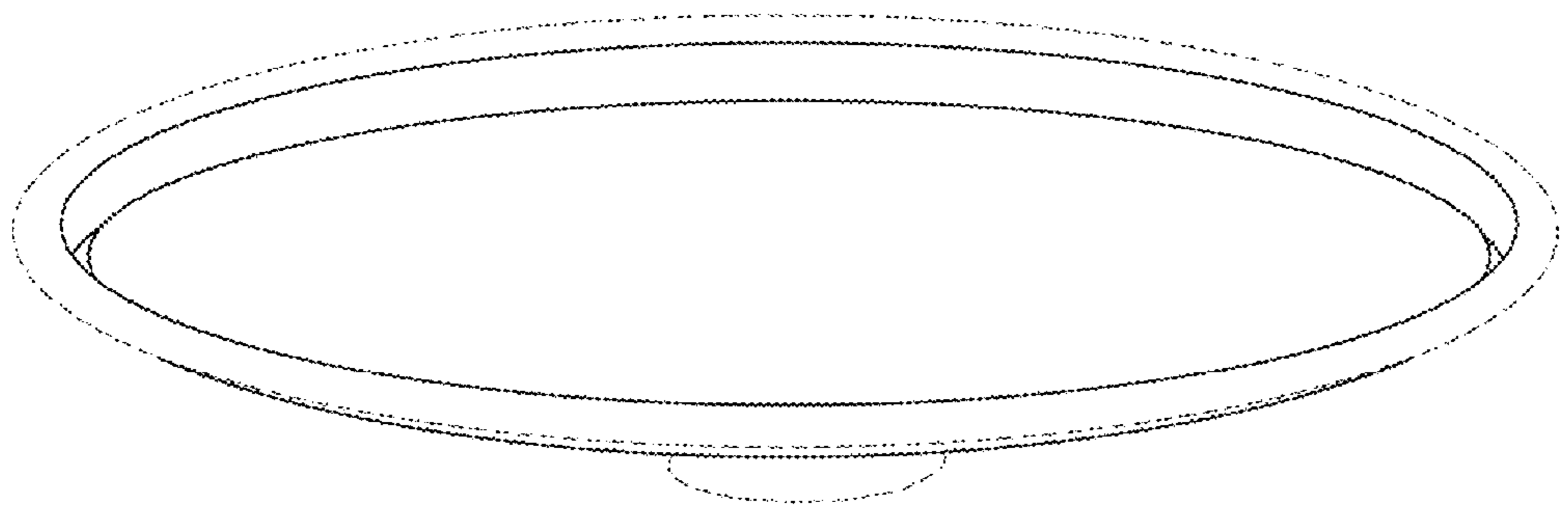
(Continued)

Primary Examiner — Melanie Pellegrini
(74) *Attorney, Agent, or Firm* — Woodard Emhardt Henry Reeves & Wagner, LLP

(57) **CLAIM**
The ornamental design for a shower drain, as shown and described.

DESCRIPTION
FIG. 2.1 is a side view;
FIG. 2.2 is a top view;
FIG. 2.3 is a perspective view;
FIG. 2.4 is an exploded view;
FIG. 2.5 is an exploded view; and,
FIG. 2.6 is a perspective view.
The broken lines represent environment and portions of the shower drain which form no part of the claimed design.

1 Claim, 6 Drawing Sheets



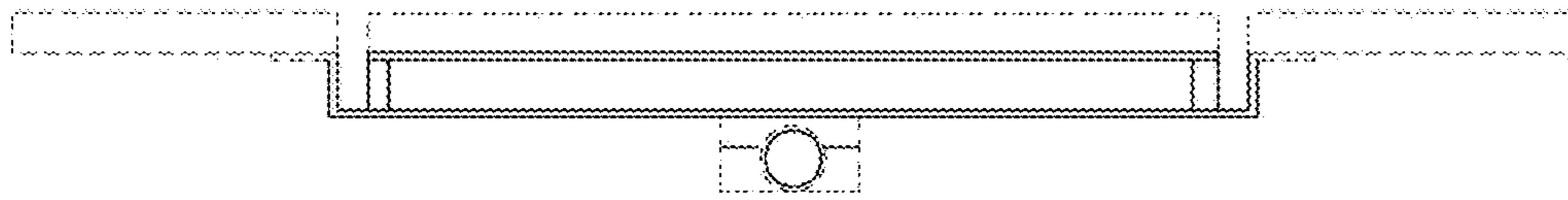
(56)

References Cited

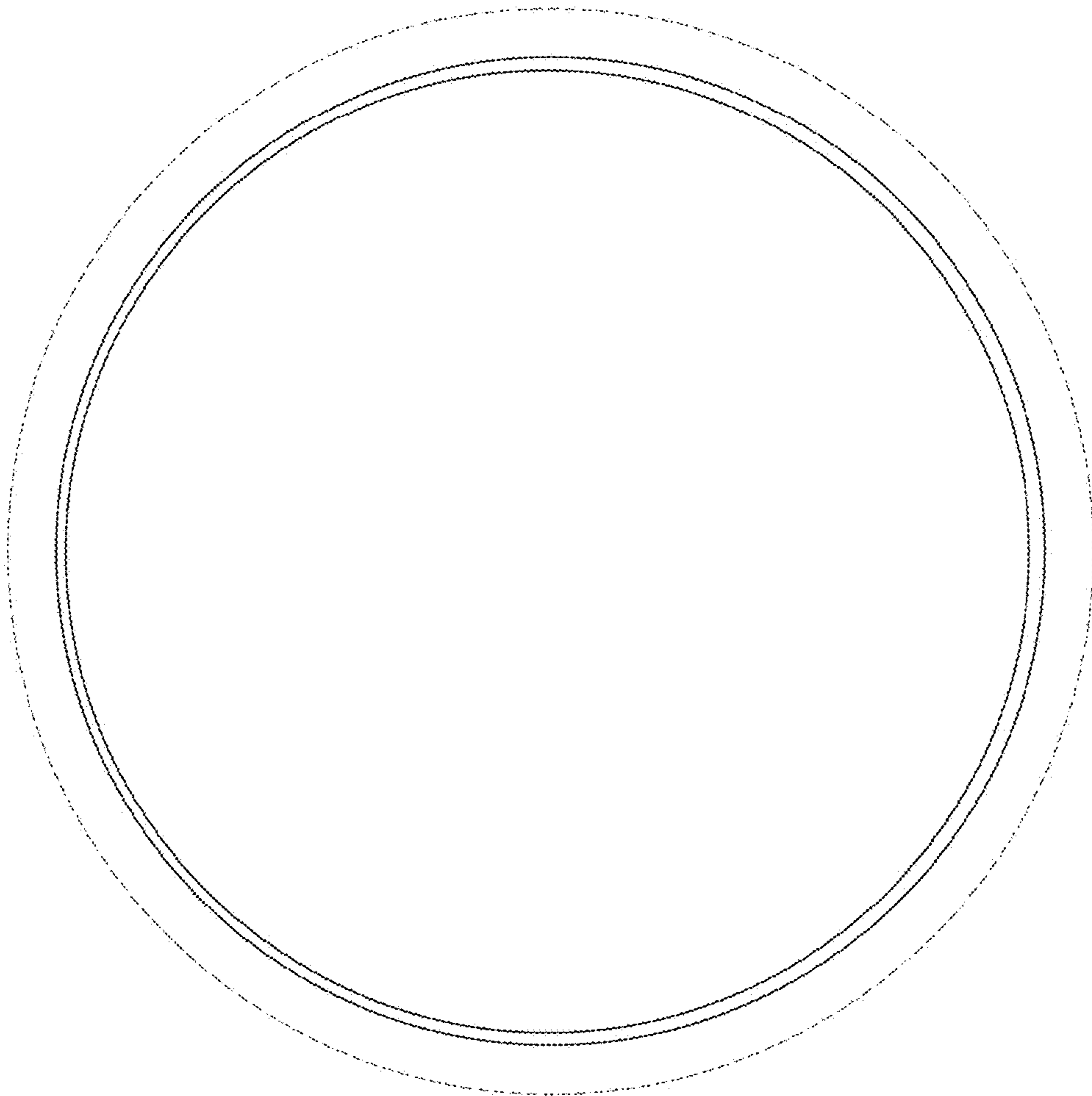
U.S. PATENT DOCUMENTS

2010/0162481 A1 7/2010 Erlebach
2010/0176041 A1* 7/2010 Schlueter E03F 5/0407
210/163
2011/0061161 A1 3/2011 Erlebach
2011/0067175 A1 3/2011 Steylaerts et al.
2011/0162137 A1 7/2011 Kik, Sr. et al.
2011/0203979 A1 8/2011 Schlueter
2013/0174921 A1 7/2013 Schluter
2013/0326806 A1 12/2013 Stonecipher et al.
2014/0157514 A1* 6/2014 Cook E03F 5/0408
4/679
2016/0073831 A1* 3/2016 Wedi A47K 3/40
4/613
2016/0130794 A1 5/2016 Erlebach
2017/0241124 A1 8/2017 Erlebach
2018/0038091 A1 2/2018 Ismert et al.
2018/0279840 A1* 10/2018 Ruiz Perez E03F 5/0408

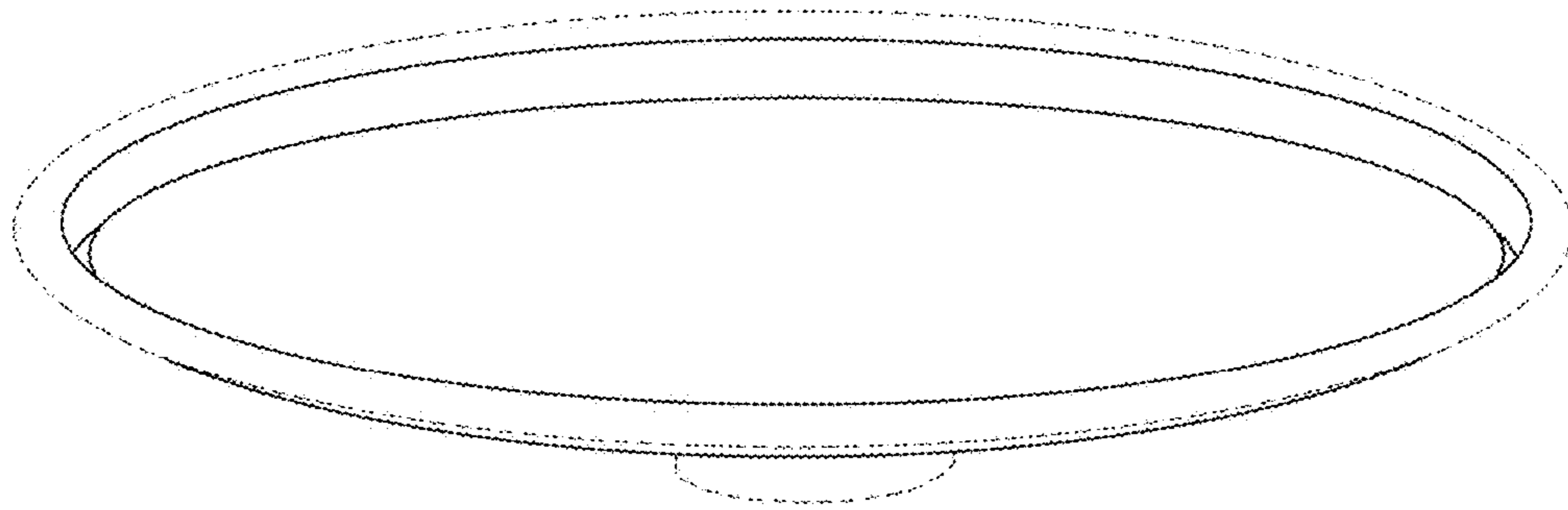
* cited by examiner



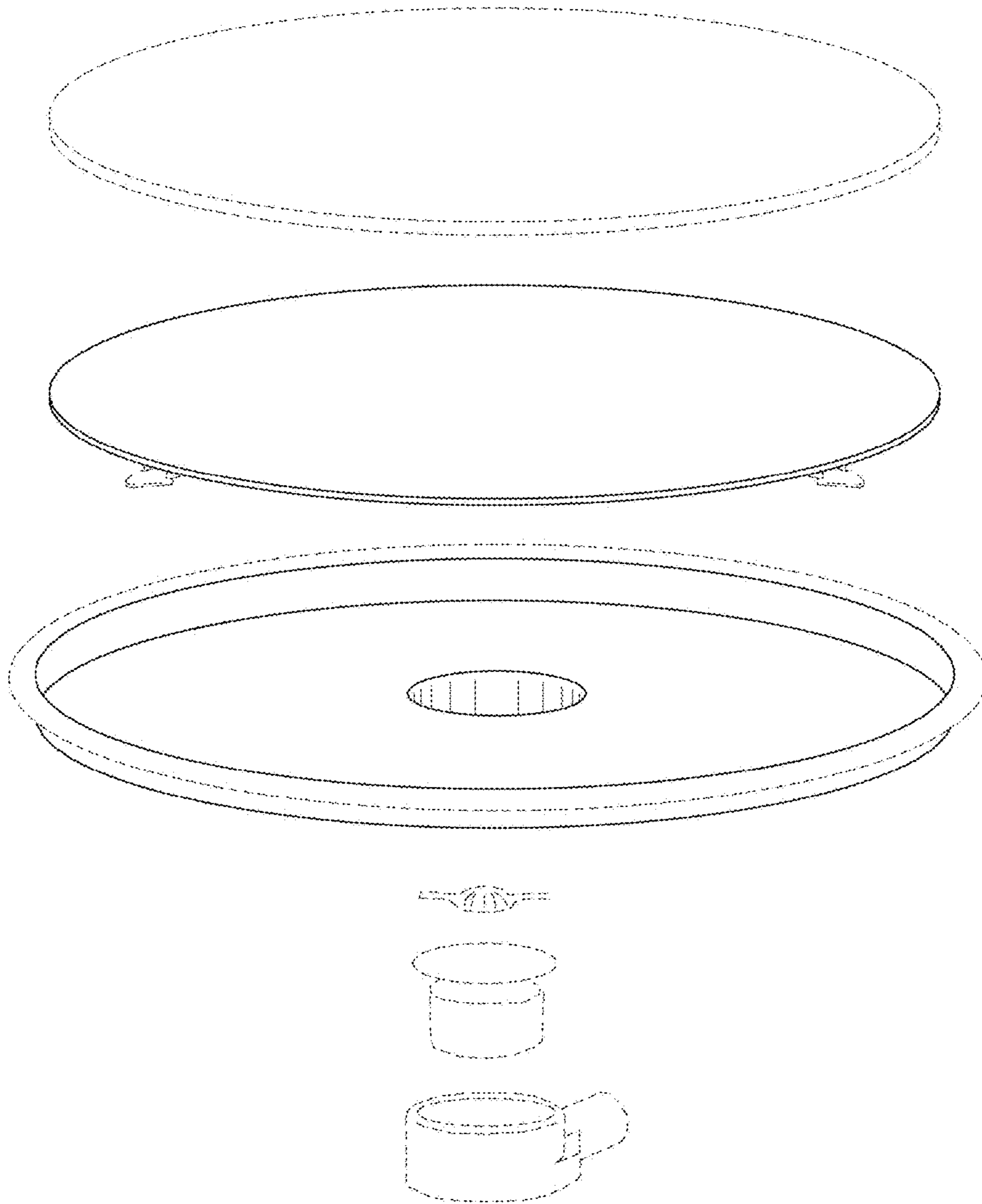
2.1



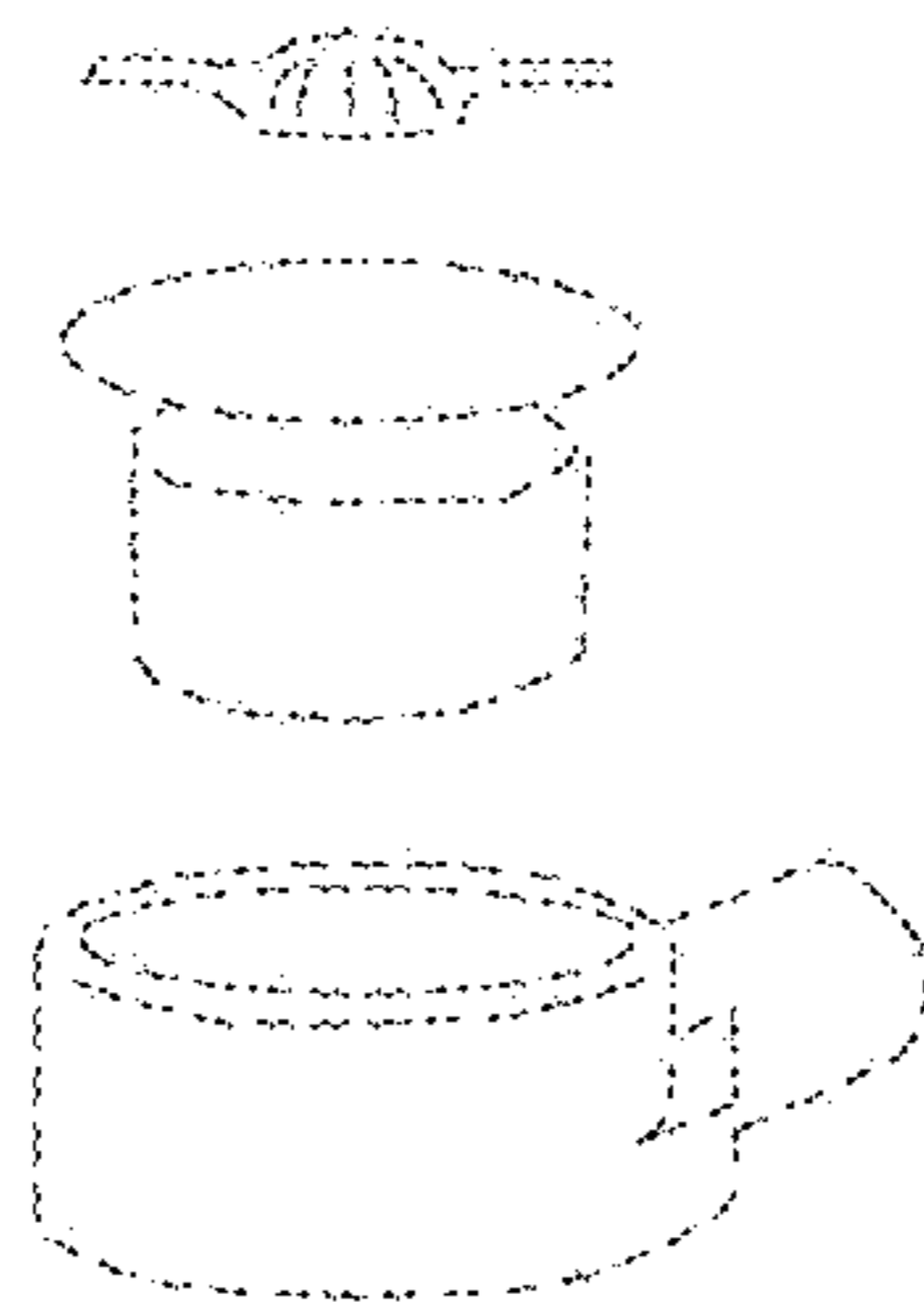
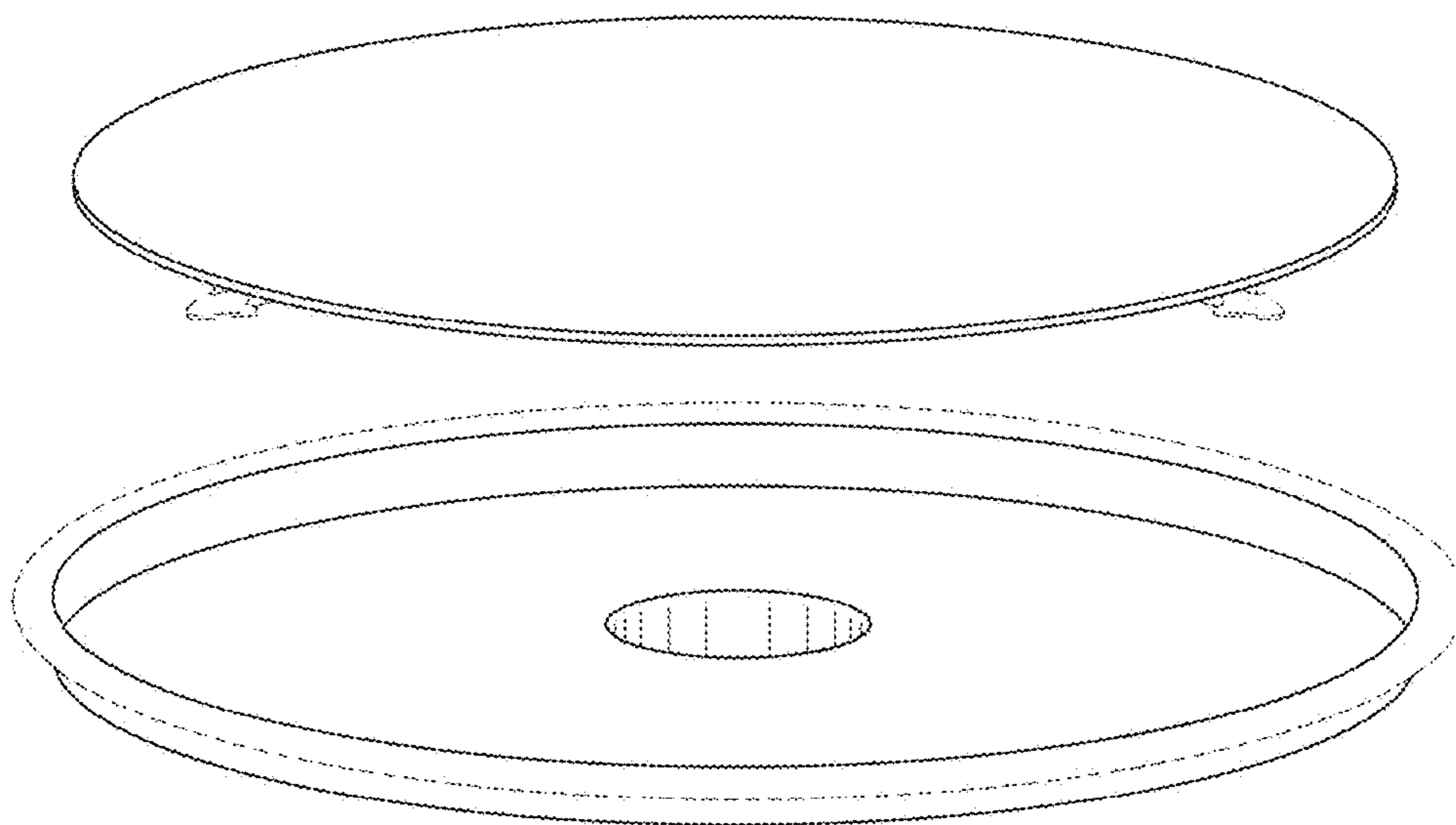
2.2



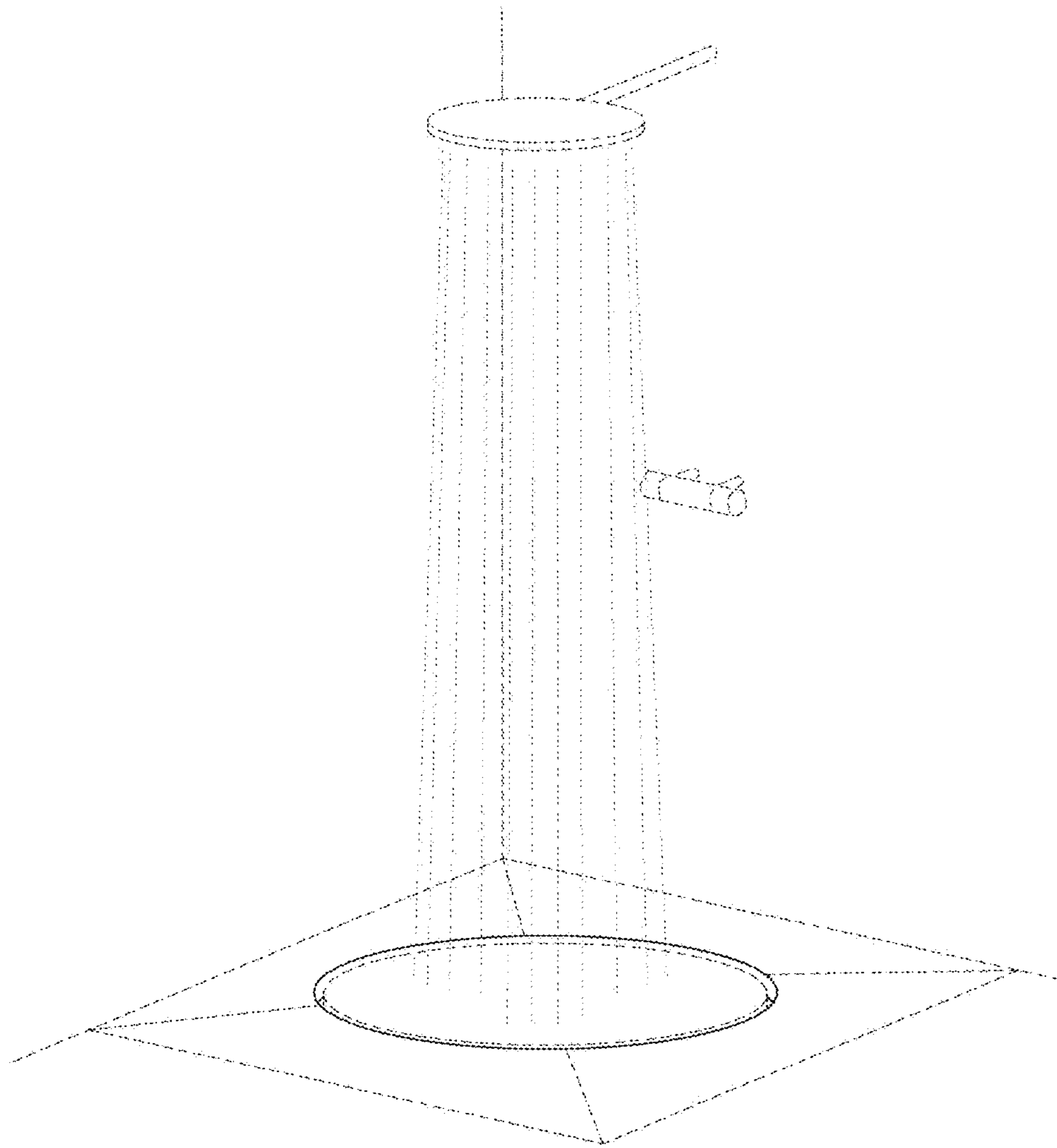
2.3



2.4



2.5



2.6