



US00D862664S

(12) **United States Design Patent** (10) **Patent No.:** **US D862,664 S**
Si (45) **Date of Patent:** **** Oct. 8, 2019**

(54) **FLOOR DRAIN**

(71) Applicant: **Shenzhen BaoBei Yuan Technology Co., Ltd**, Shenzhen (CN)

(72) Inventor: **Yuan Si**, Shenzhen (CN)

(**) Term: **15 Years**

(21) Appl. No.: **29/653,149**

(22) Filed: **Jun. 13, 2018**

(51) **LOC (12) Cl.** **23-01**

(52) **U.S. Cl.**
USPC **D23/261**

(58) **Field of Classification Search**
USPC D23/259, 209, 260–261, 303–304, 310,
D23/388; 4/178.22, 222.1,
4/255.01–255.12, 256.1, 286–289,
4/290–295, 309, 490, 507, 596, 652, 680;
220/787, 789, 203.1, 241, 780

CPC A47K 3/40
See application file for complete search history.

(56) **References Cited**

U.S. PATENT DOCUMENTS

D650,471 S *	12/2011	Du	D23/268
D783,134 S *	4/2017	Karnegie	D23/261
D785,767 S *	5/2017	Karnegie	E03C 1/264
				D23/261
D794,759 S *	8/2017	Karnegie	D23/261
D814,611 S *	4/2018	Karnegie	D23/261
D827,787 S *	9/2018	Karnegie	D23/261
D827,788 S *	9/2018	Karnegie	D23/261
D828,523 S *	9/2018	Karnegie	D23/261
D832,408 S *	10/2018	St-Antoine	D23/261
D841,133 S *	2/2019	Karnegie	D23/261
2017/0073949 A1 *	3/2017	Karnegie	E03C 1/264
2018/0274218 A1 *	9/2018	Karnegie	E03C 1/264

OTHER PUBLICATIONS

Hair Stopper https://www.amazon.com/Bathtub-Stopper-Homecube-Stainless-Bathroom/dp/B07J4YGDWZ/ref=pd_day0_hl_201_15?_encoding=UTF8&pd_rd_i=B07J4YGDWZ&pd_rd_r=64bd9229-6c1c-11e9-b7b1-9768eea003d5&pd_rd_w=iPIGT&pd_rd_wg=R6rUz&pf_rd_p=ad07871c-e646-4161-82c7-5ed0d4c85b07&pf_rd_r=1DMJP8MX2F94YJSJB05 (Year: 2019).*

Babath Hair Catcher, https://www.amazon.com/BABATH-Tub-Drain-Hair-Catcher/dp/B07D3R16CC/ref=pd_day0_hl_60_9?_encoding=UTF8&pd_rd_i=B07D3R16CC&pd_rd_r=954504d1-7d73-11e9-b31d-a3211b75eab9&pd_rd_w=KXo5e&pd_rd_wg=1Gi3b&pf_rd_p=ad07871c-e646-4161- (Year: 2018).*

* cited by examiner

Primary Examiner — Eric L Goodman

Assistant Examiner — Amy C Wierenga

(74) *Attorney, Agent, or Firm* — Erson IP (Nelson IP)

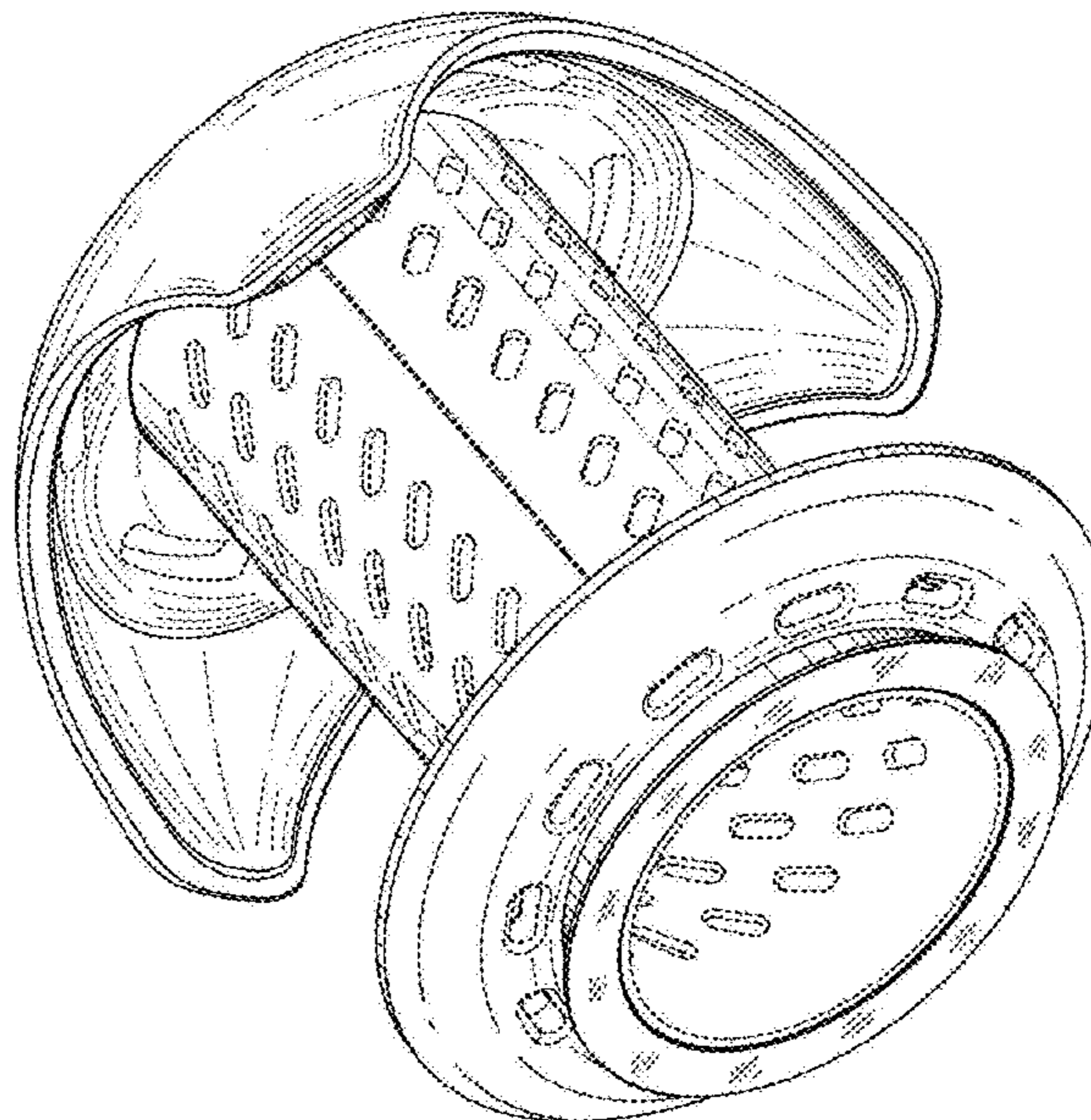
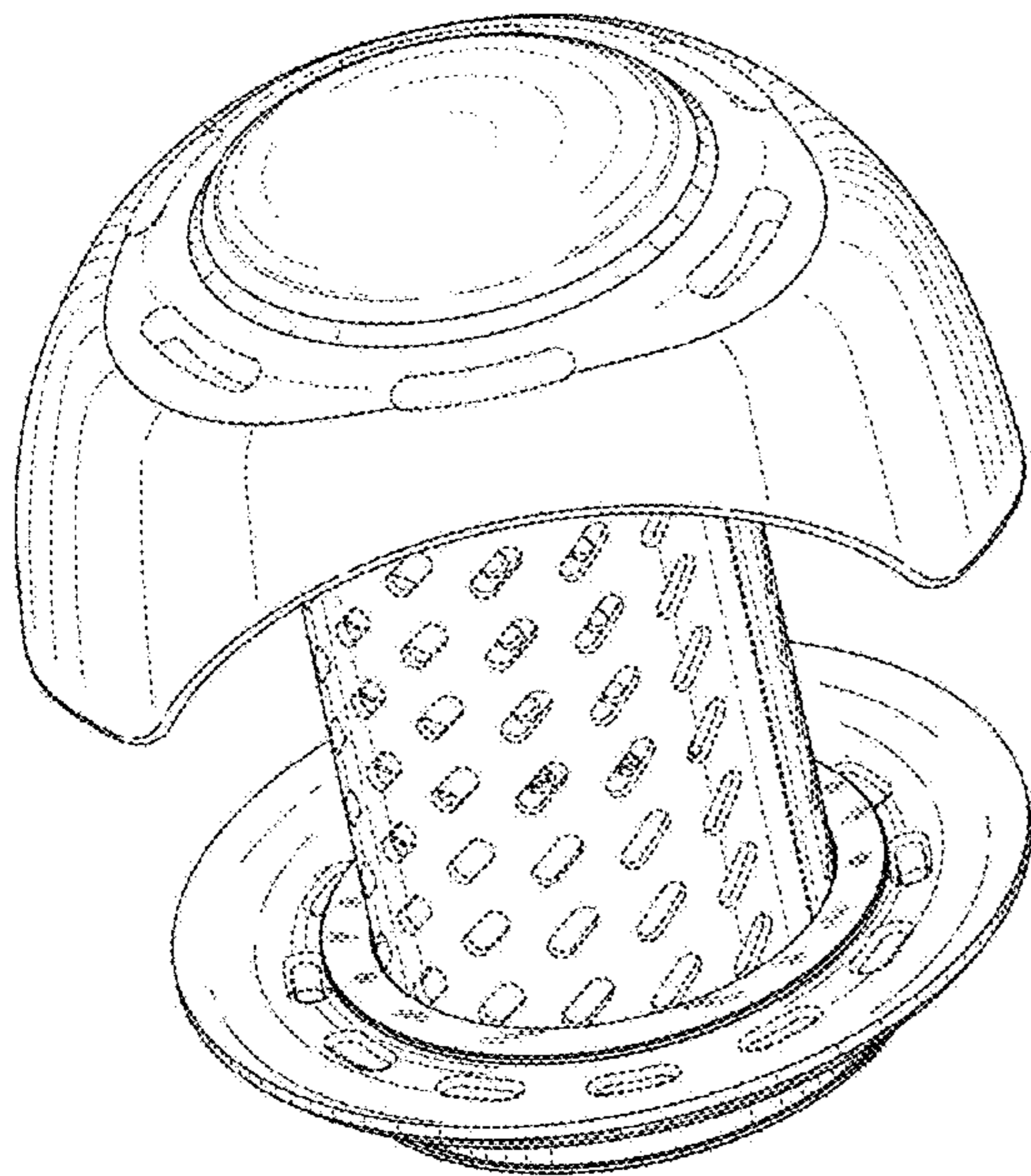
(57) **CLAIM**

The ornamental design for a floor drain, as shown and described.

DESCRIPTION

FIG. 1 is a perspective view of a floor drain;
FIG. 2 is another perspective view thereof;
FIG. 3 is a front view thereof;
FIG. 4 is a rear view thereof;
FIG. 5 is a left side view thereof;
FIG. 6 is a right side view thereof;
FIG. 7 is a top plan view thereof; and,
FIG. 8 is a bottom plan view thereof.
The broken lines are for the purposes of illustrating portions of the floor drain and form no part of the claimed design.

1 Claim, 8 Drawing Sheets



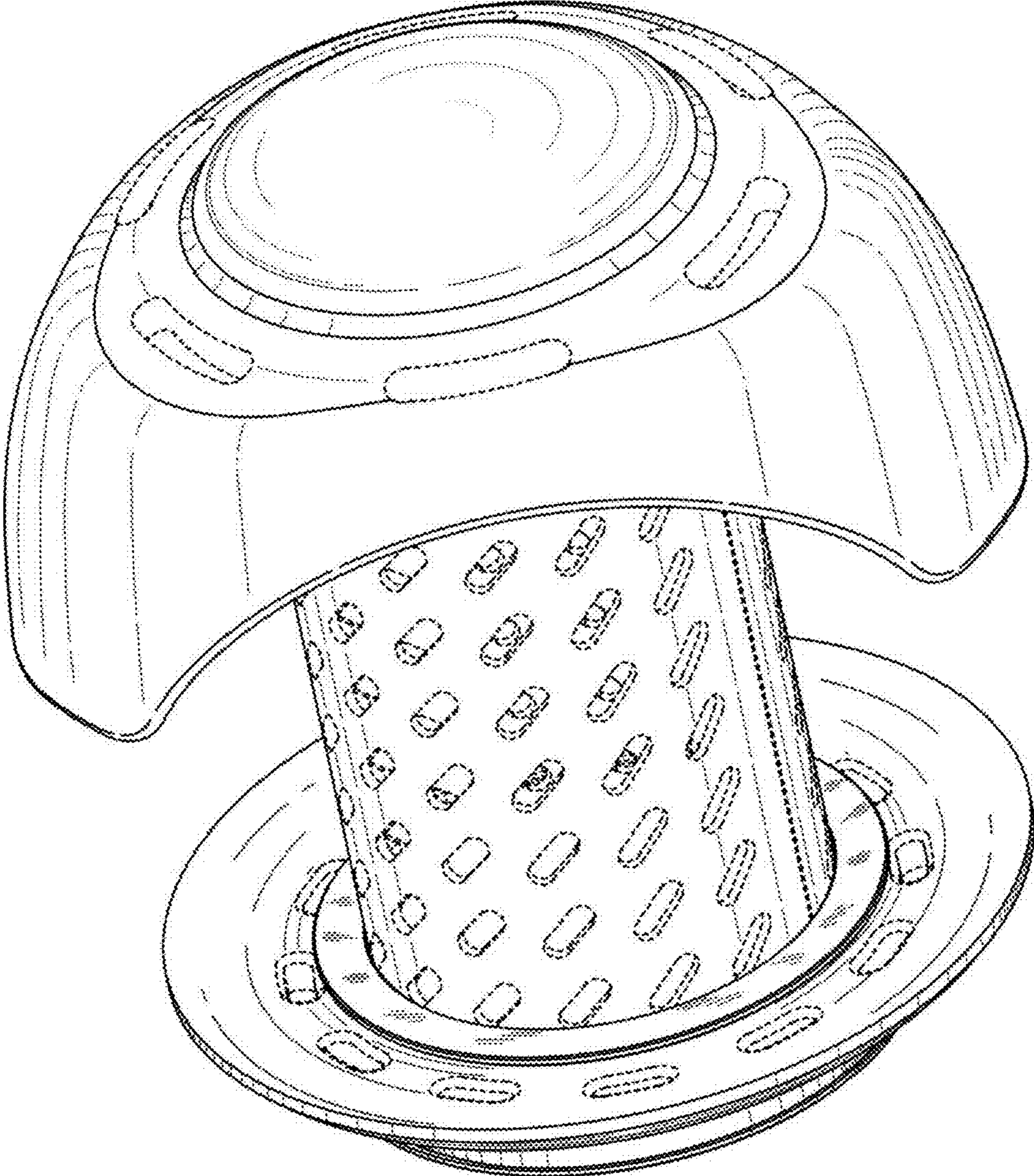


Fig. 1

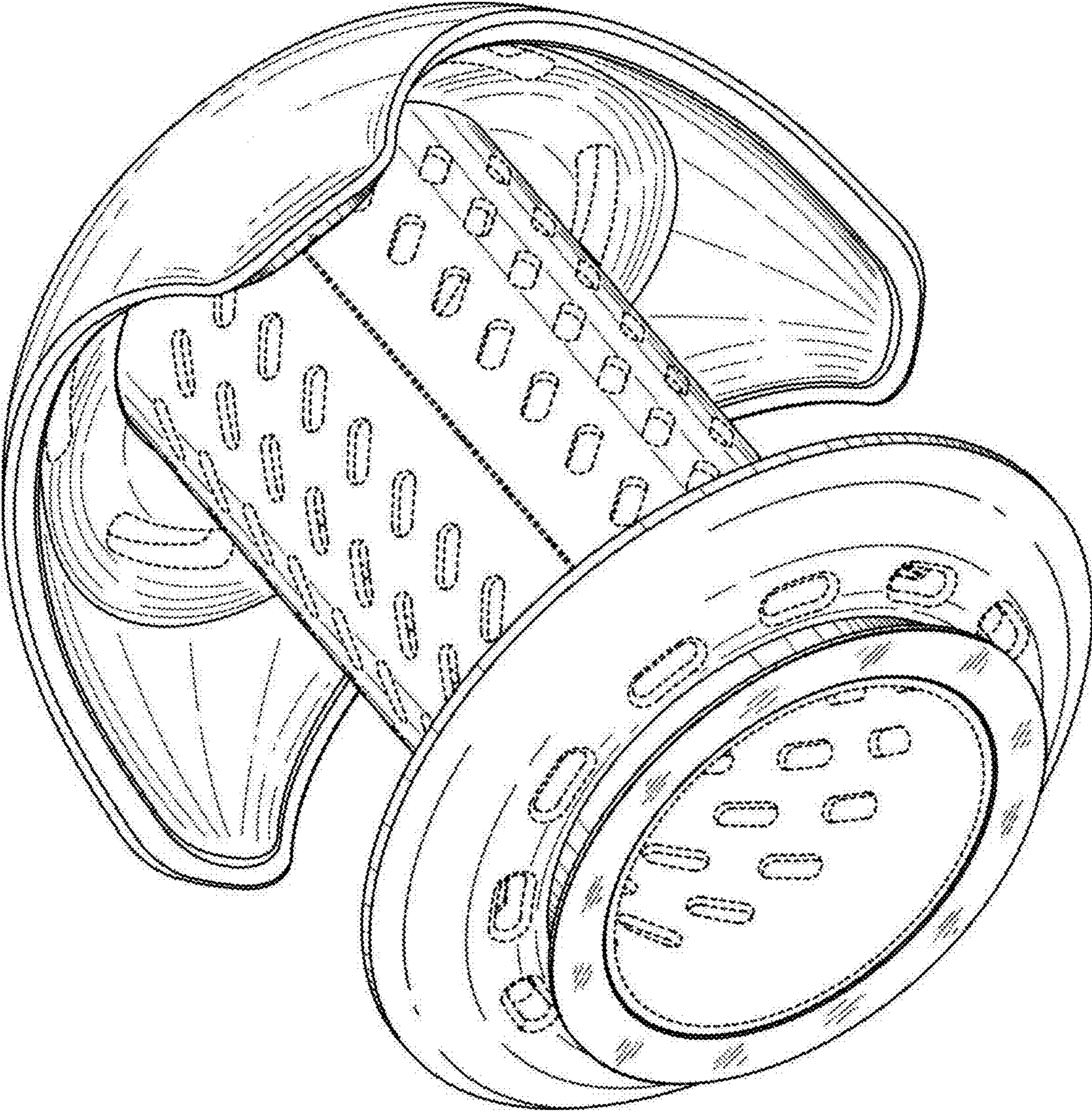


Fig. 2

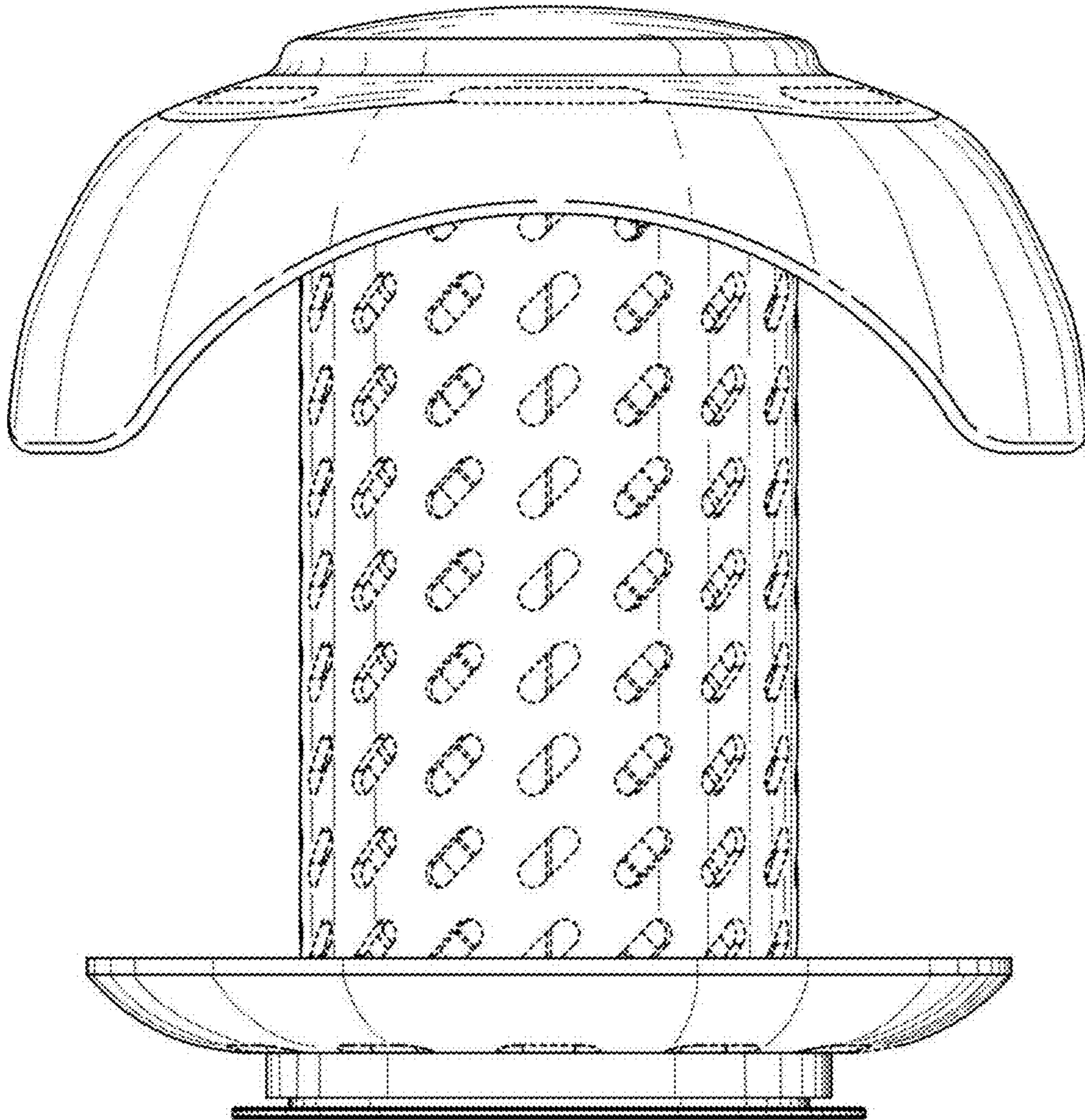


Fig. 3

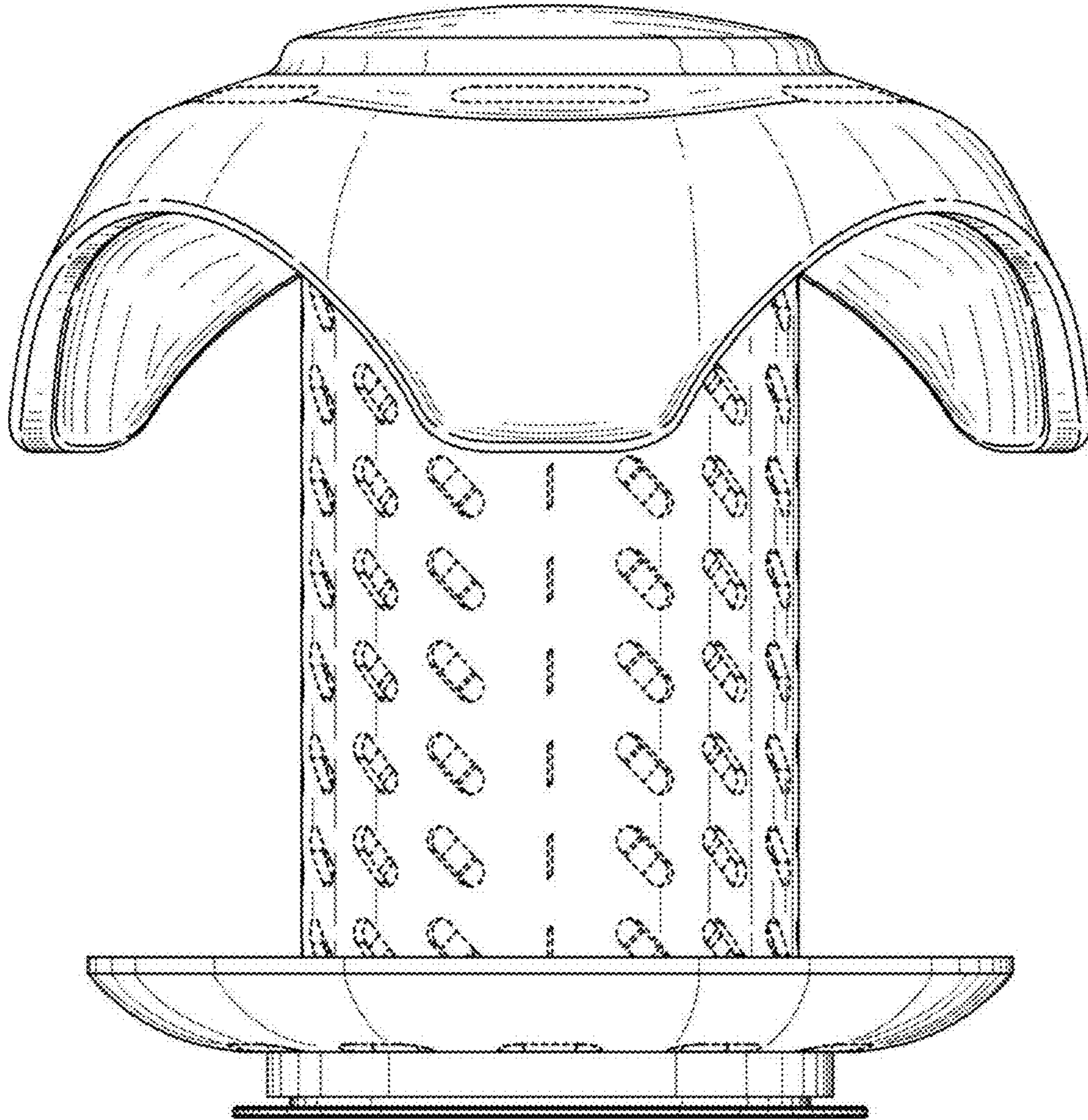


Fig. 4

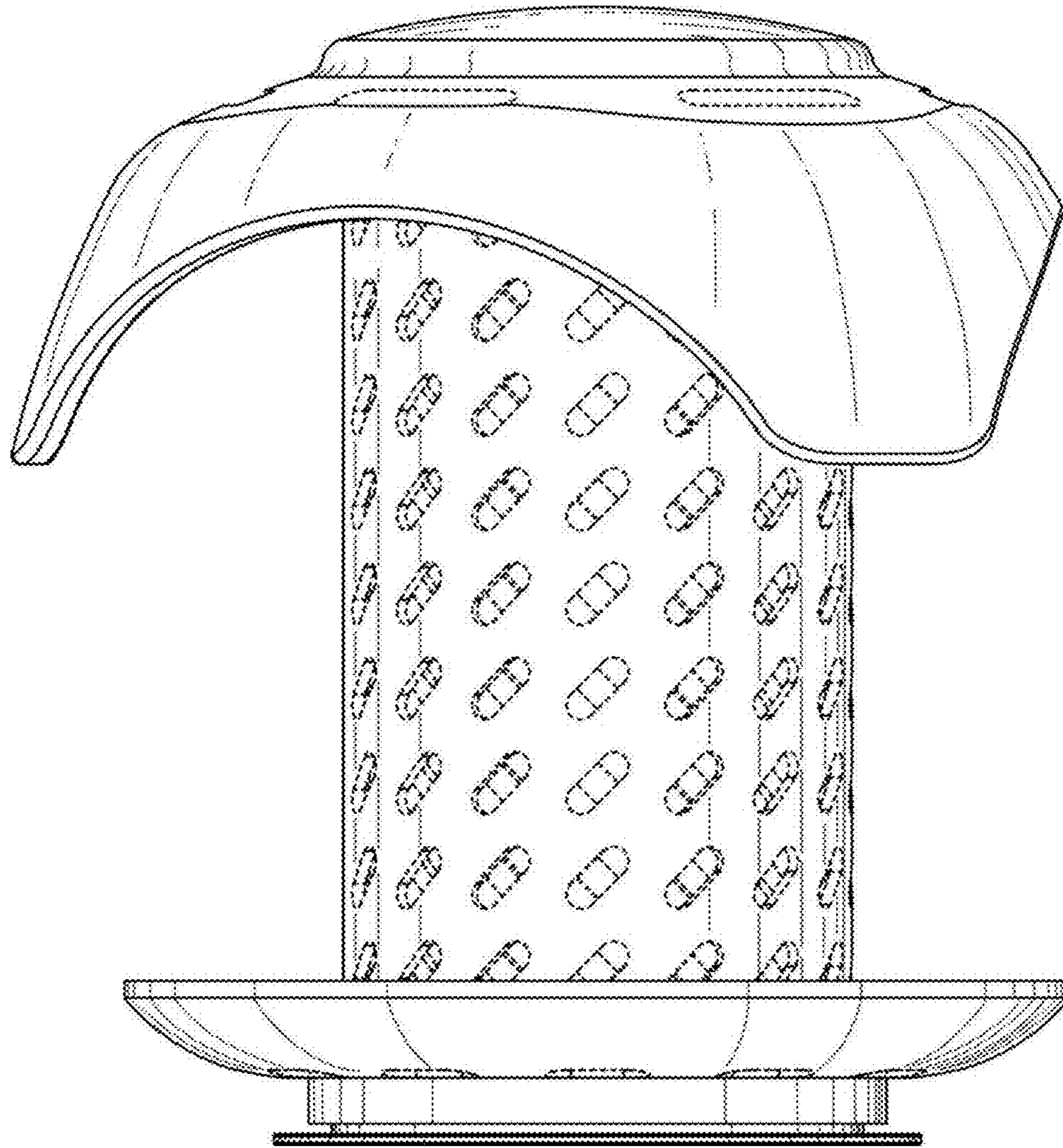


Fig. 5

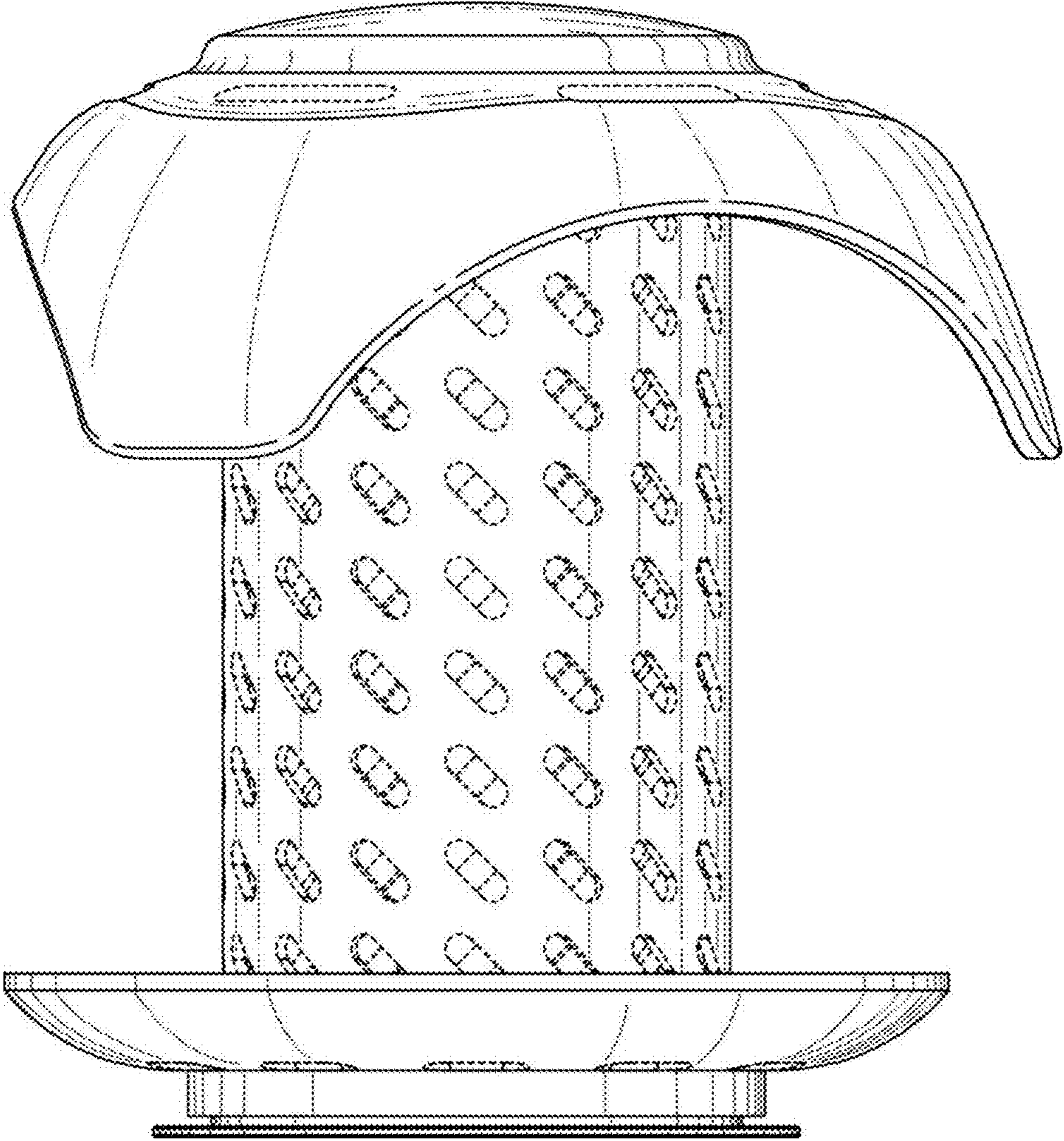


Fig. 6

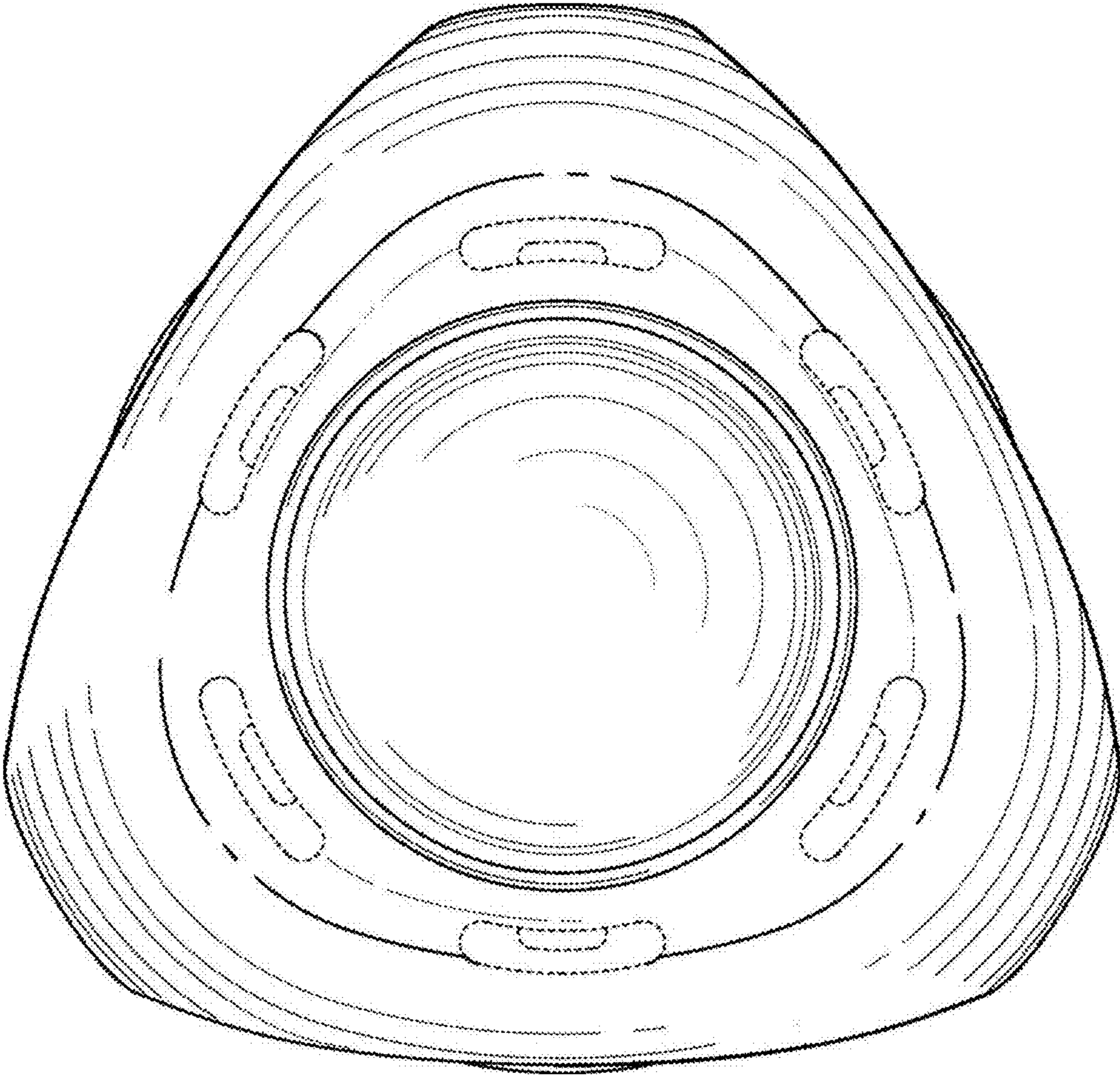


Fig. 7

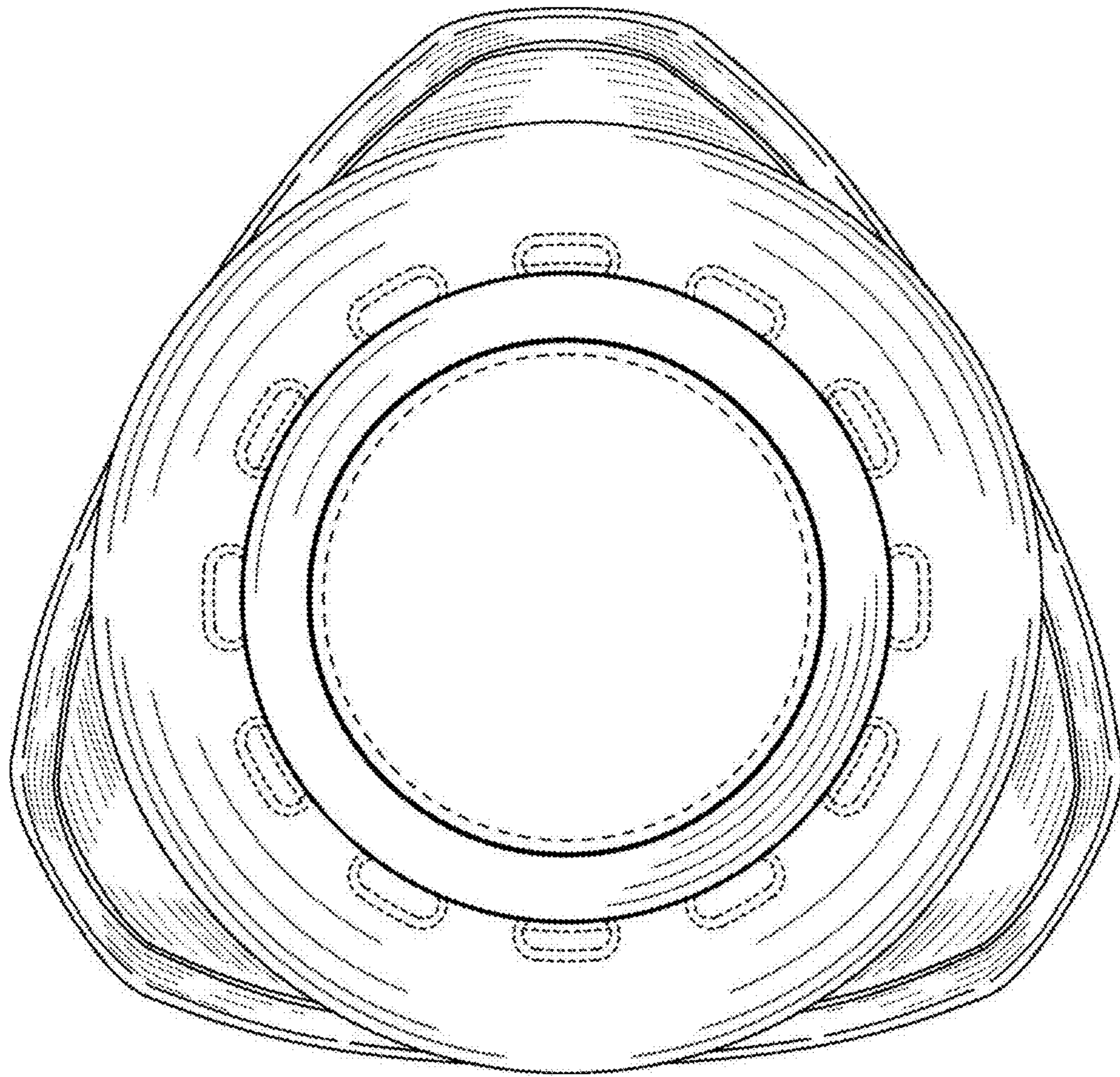


Fig. 8