



US00D862662S

(12) **United States Design Patent**
Kulig

(10) **Patent No.:** **US D862,662 S**

(45) **Date of Patent:** **** Oct. 8, 2019**

(54) **FAUCET HANDLE**

(71) Applicant: **Graff Faucets**, Milwaukee, WI (US)

(72) Inventor: **Zbigniew Kulig**, Wadsworth, IL (US)

(73) Assignee: **Graff Faucets**, Milwaukee, WI (US)

(**) Term: **15 Years**

(21) Appl. No.: **29/655,897**

(22) Filed: **Jul. 9, 2018**

(51) **LOC (12) Cl.** **23-01**

(52) **U.S. Cl.**
USPC **D23/253**

(58) **Field of Classification Search**
USPC D23/238-243, 249, 245, 250, 253, 254;
D8/307-308
CPC E03C 1/0412; E03C 1/0409
See application file for complete search history.

(56) **References Cited**

U.S. PATENT DOCUMENTS

1,958,165 A * 5/1934 Le Compte F16K 31/60
D23/250
D127,734 S * 6/1941 Dreyfuss D23/253
D520,119 S 5/2006 Kulig

D714,915 S * 10/2014 von der Lancken D23/253
D774,169 S * 12/2016 Kington D23/254
D786,406 S * 5/2017 Schoenherr D23/250
D823,993 S * 7/2018 Soulier D23/253

OTHER PUBLICATIONS

Blanco America, Kitchen Faucets, http://www.blancoamerica.com/kitchen_faucets.html, May 12, 2004, pp. 1-4.

* cited by examiner

Primary Examiner — Robert A Delehanty

(74) *Attorney, Agent, or Firm* — Boyle Fredrickson, S.C.

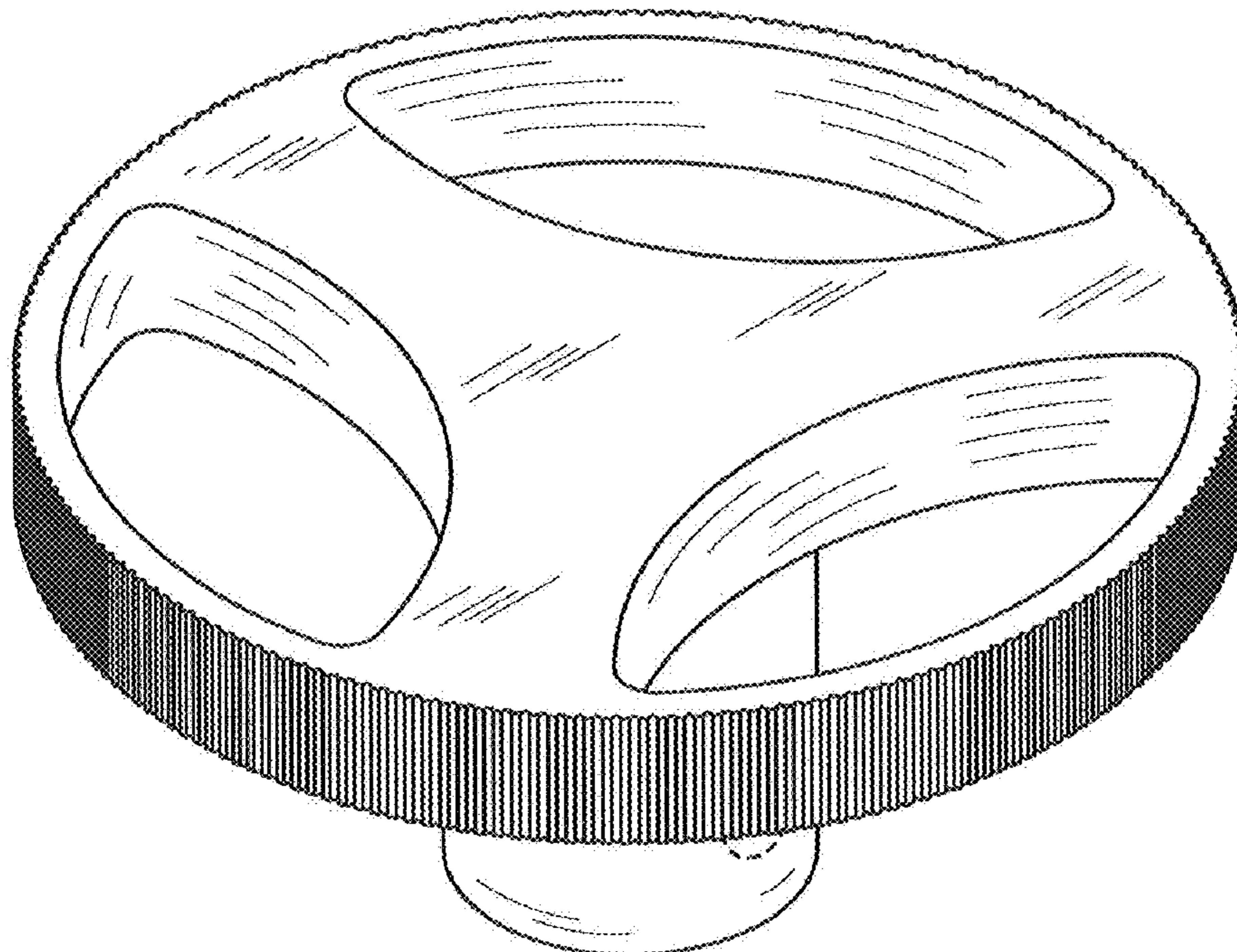
(57) **CLAIM**

The ornamental design for a faucet handle, as shown and described.

DESCRIPTION

FIG. 1 is a front, right, top isometric view of a faucet handle incorporating my new design;
FIG. 2 is a front elevation view thereof;
FIG. 3 is a rear elevation view thereof;
FIG. 4 is a left-side elevation view thereof;
FIG. 5 is a right-side elevation view thereof;
FIG. 6 is a top plan view thereof; and,
FIG. 7 is a bottom plan view thereof.
The broken lines in the drawings depict portions of the faucet handle that form no part of the of the claimed design.

1 Claim, 7 Drawing Sheets



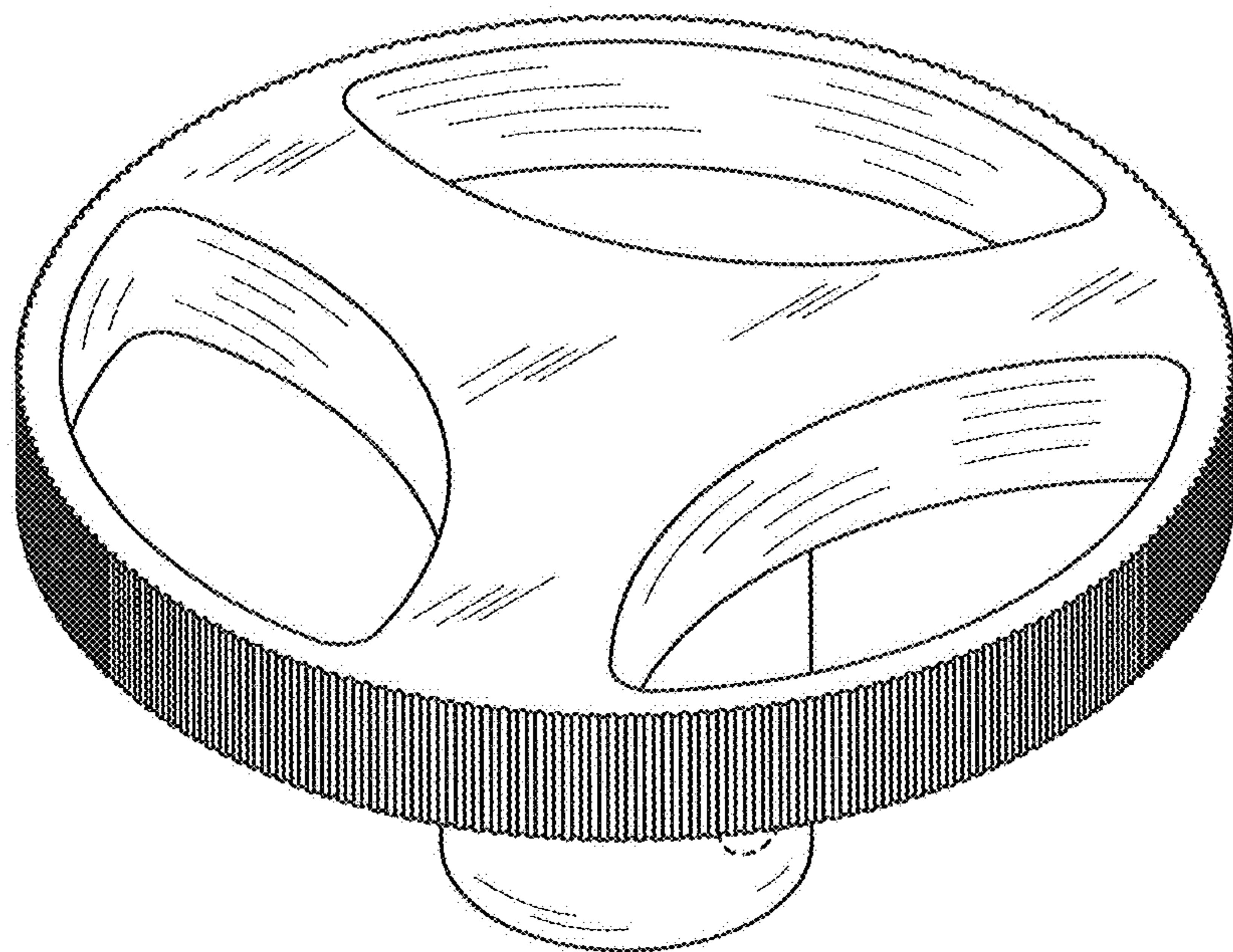


FIG. 1

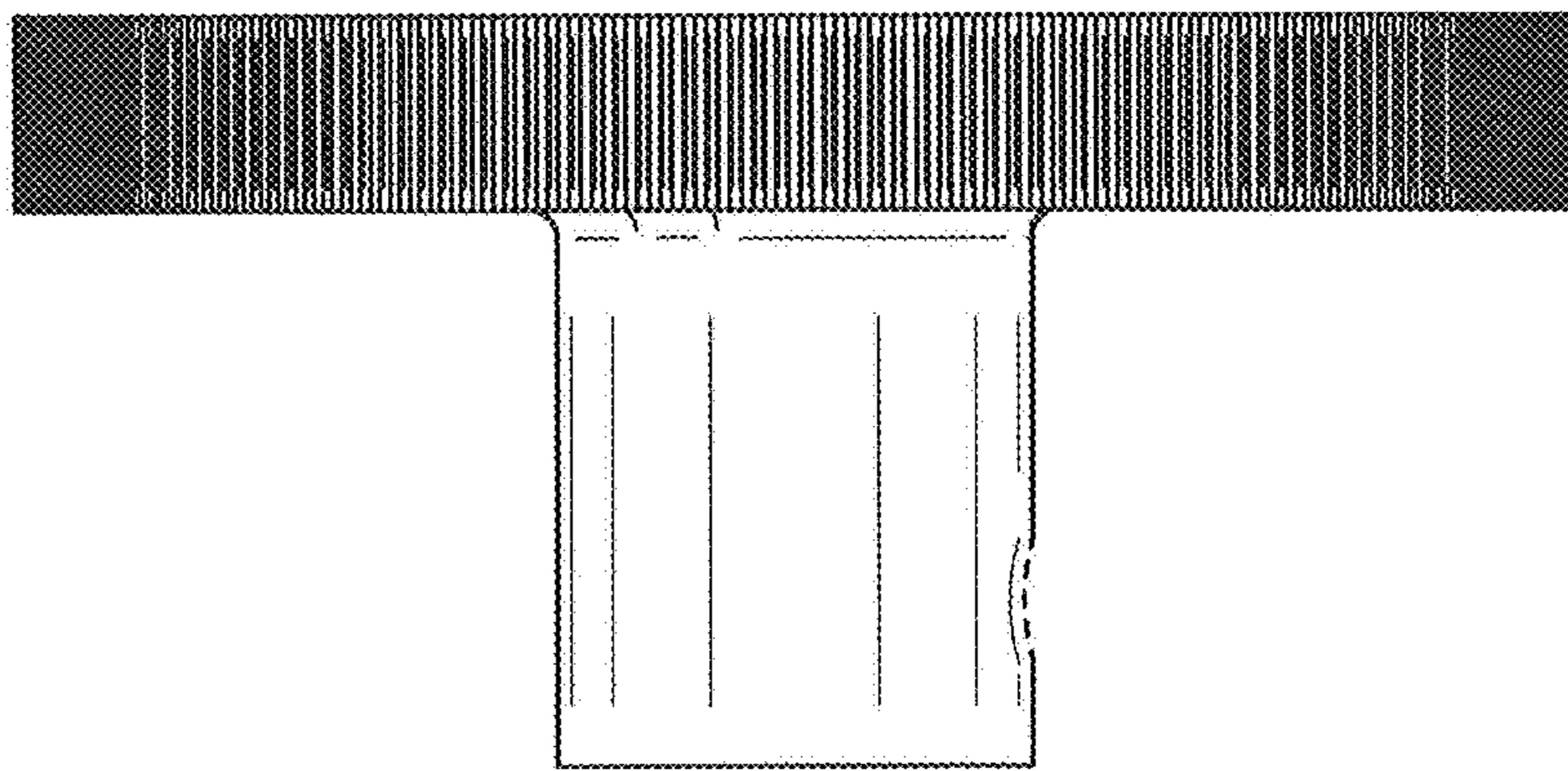


FIG. 2

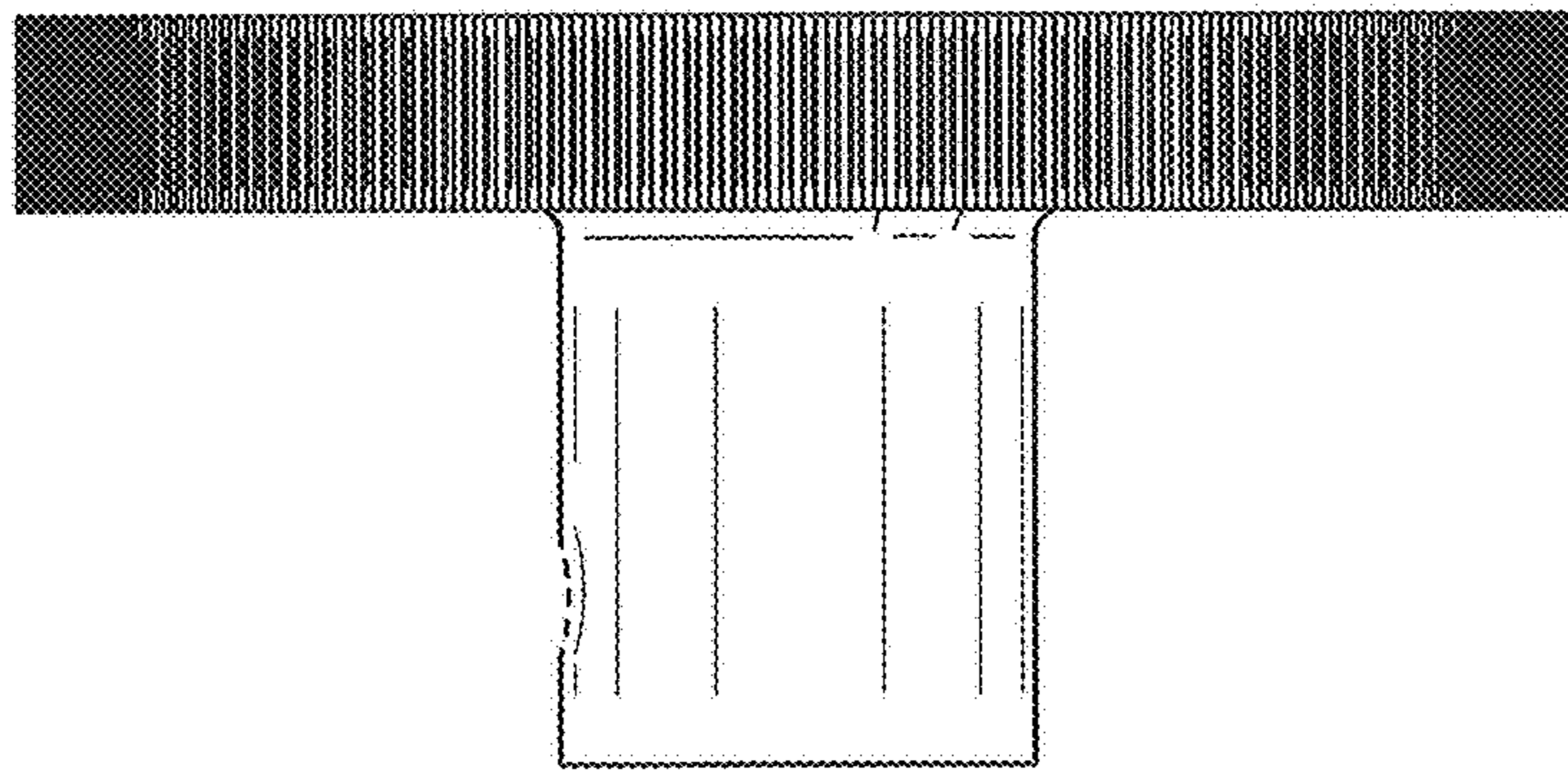


FIG. 3

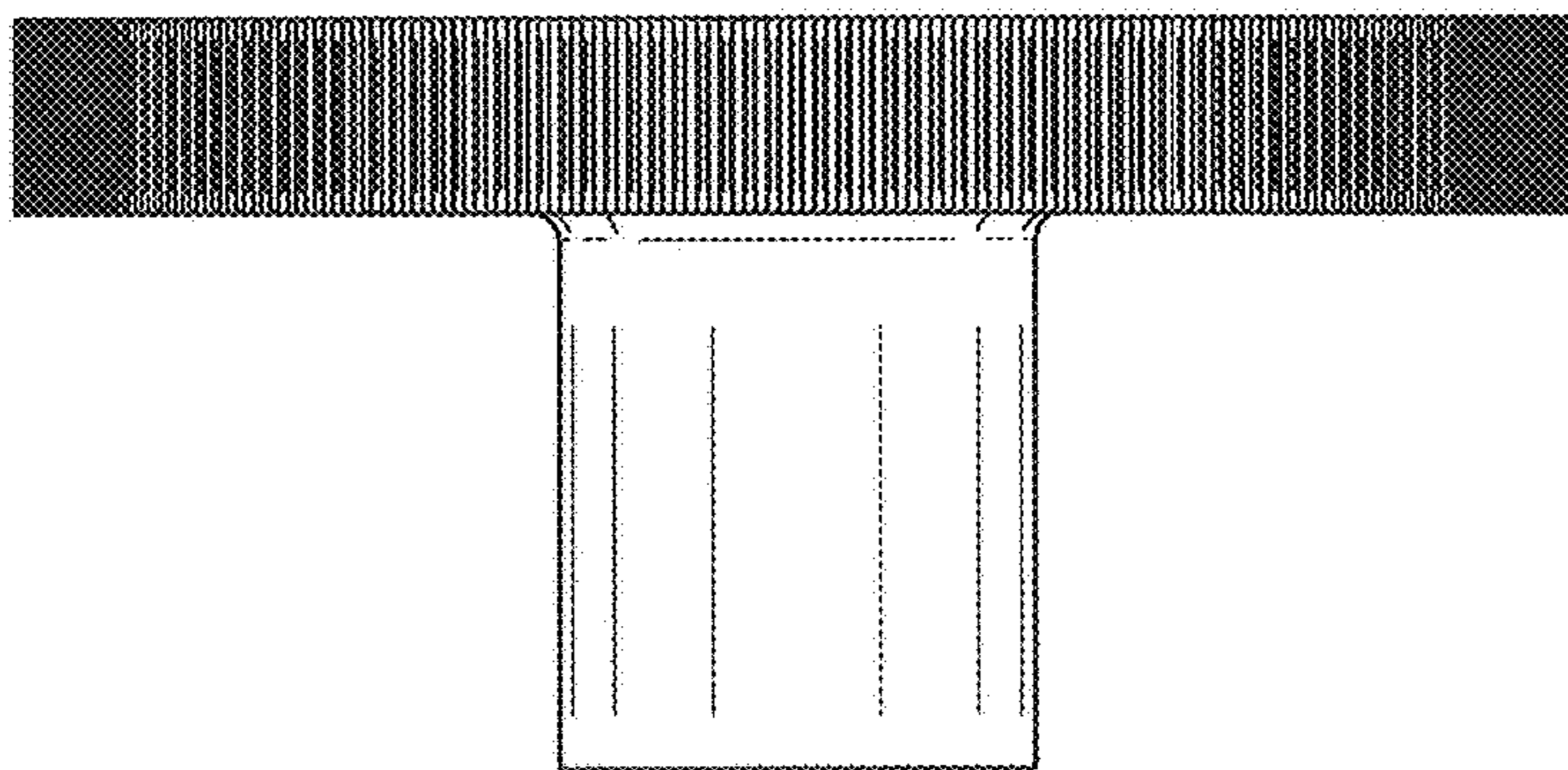


FIG. 4

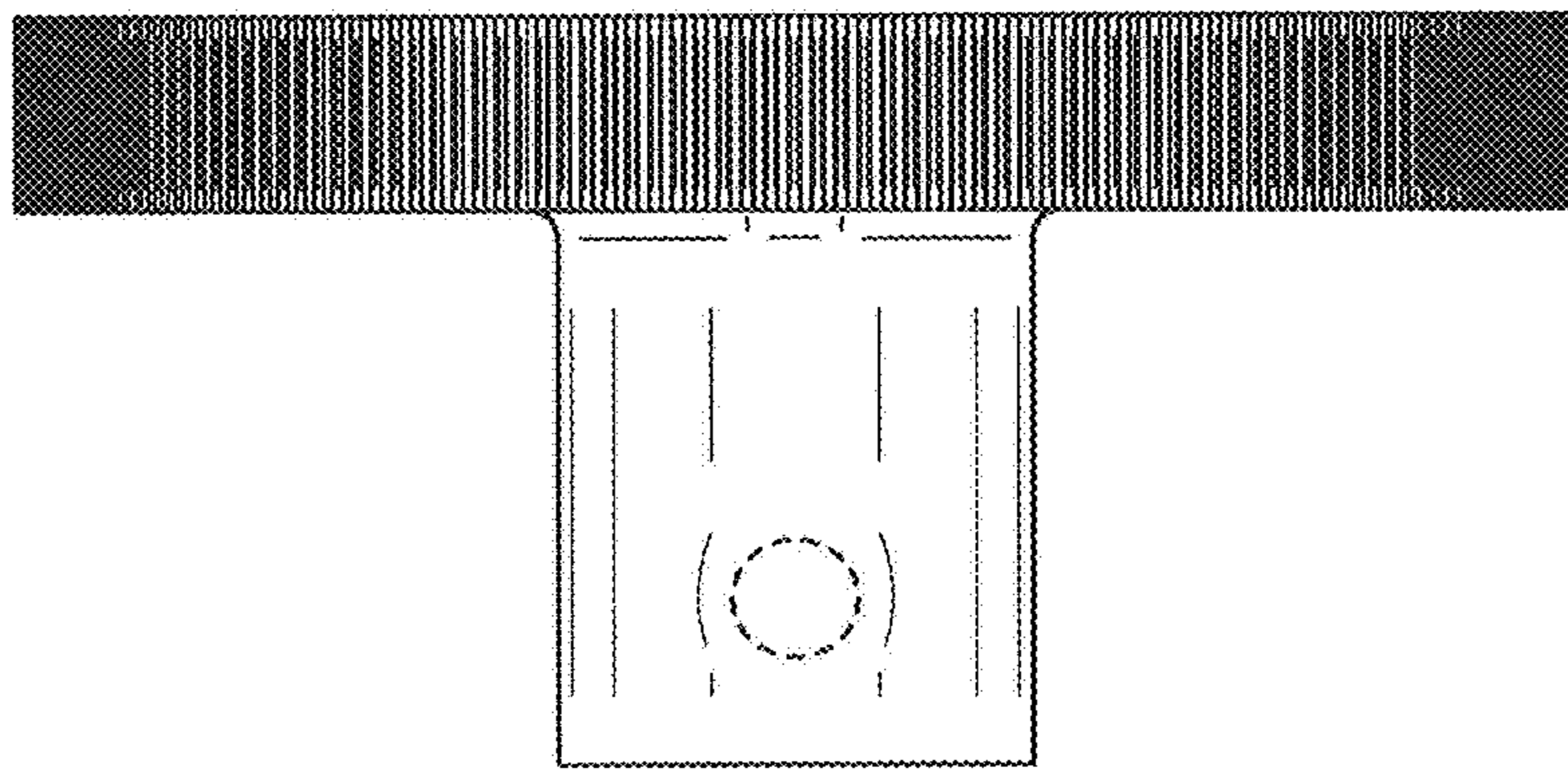


FIG. 5

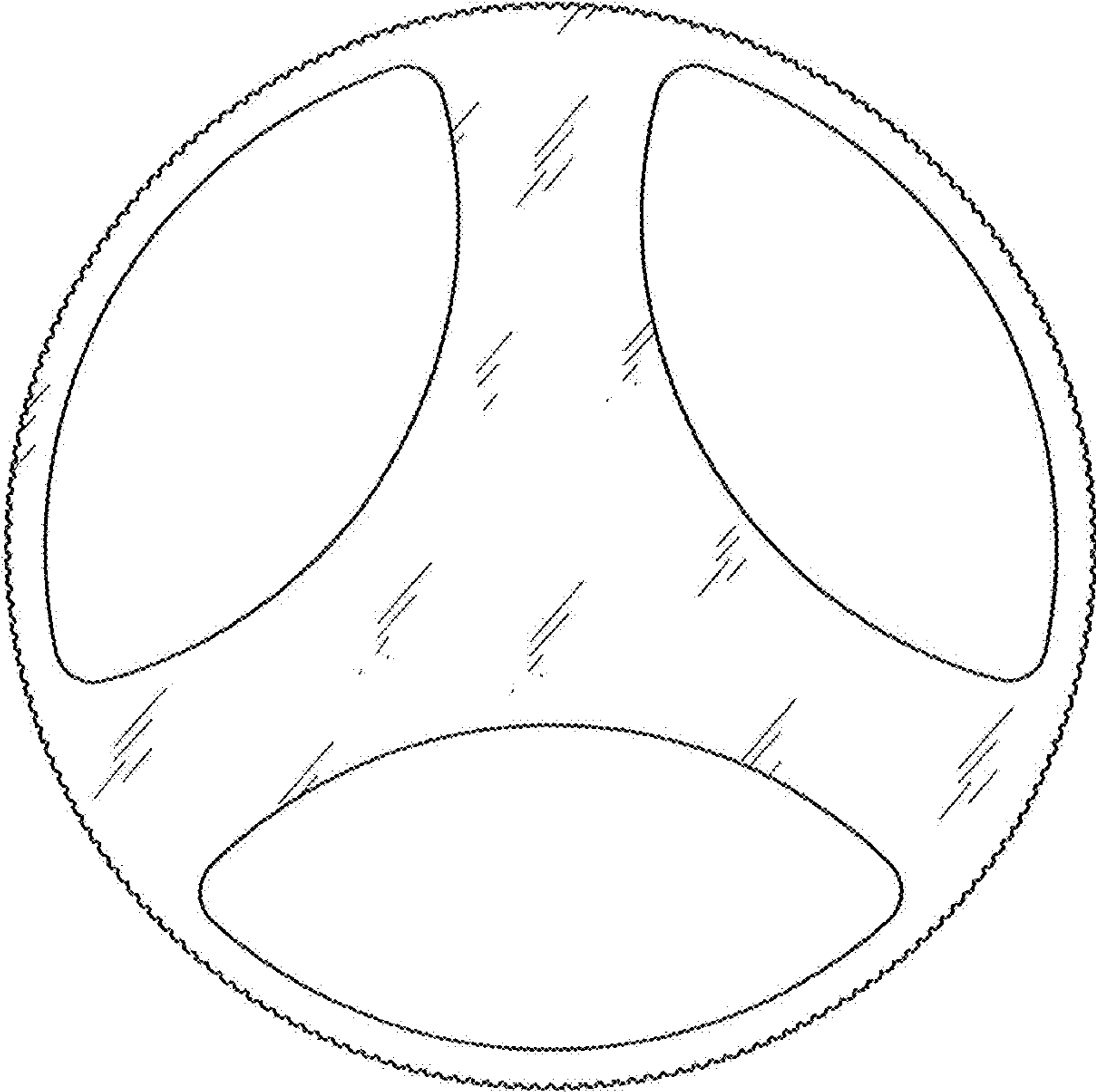


FIG. 6

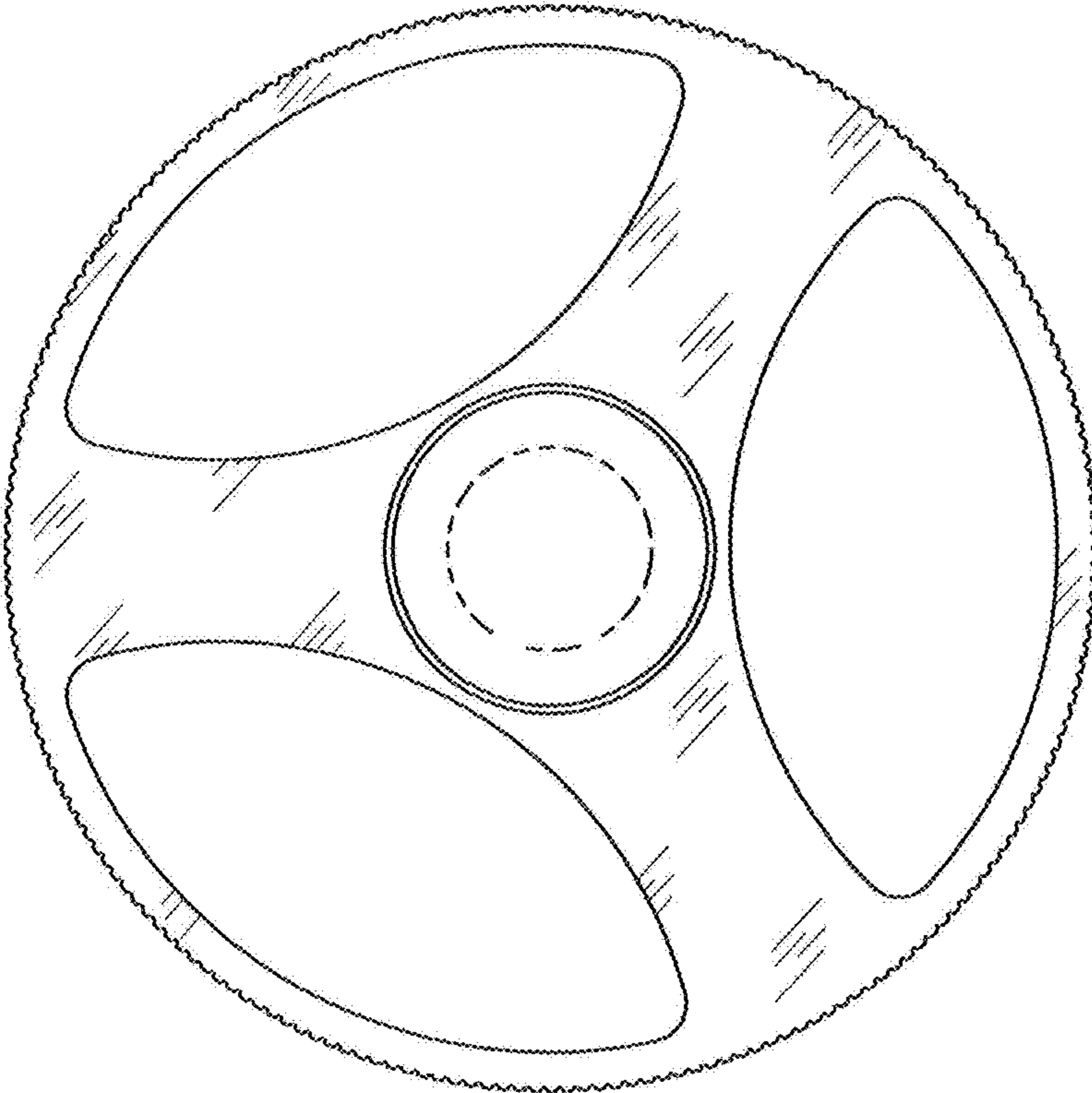


FIG. 7