



US00D862661S

(12) **United States Design Patent**  
**Kulig**

(10) **Patent No.:** **US D862,661 S**

(45) **Date of Patent:** **\*\* Oct. 8, 2019**

(54) **FAUCET HANDLE**

D636,061 S 4/2011 Kulig  
D723,665 S 3/2015 Kulig  
D724,698 S 3/2015 Kulig  
D729,348 S 5/2015 Kulig

(71) Applicant: **Graff Faucets**, Milwaukee, WI (US)

(72) Inventor: **Zbigniew Kulig**, Wadworth, IL (US)

(73) Assignee: **Graff Faucets**, Milwaukee, WI (US)

(\*\*) Term: **15 Years**

(21) Appl. No.: **29/655,917**

(22) Filed: **Jul. 9, 2018**

(51) **LOC (12) Cl.** ..... **23-01**

(52) **U.S. Cl.**  
USPC ..... **D23/252**

(58) **Field of Classification Search**  
USPC ..... D23/238-243, 249, 250, 252, 254;  
D8/307-308

CPC ..... E03C 1/0412; E03C 1/0409  
See application file for complete search history.

(56) **References Cited**

**U.S. PATENT DOCUMENTS**

D283,785 S \* 5/1986 Belaiche ..... D8/308  
D303,490 S \* 9/1989 Mosch ..... D8/308  
D334,230 S \* 3/1993 Bonnell ..... D23/252  
D405,162 S \* 2/1999 Doughty ..... D23/250  
D511,200 S 11/2005 Kulig et al.  
D512,124 S 11/2005 Kulig et al.  
D564,634 S \* 3/2008 Kirar ..... D23/252  
D597,175 S 7/2009 Kulig

**OTHER PUBLICATIONS**

Blanco America, Kitchen Faucets, [http://www.blancoamerica.com/kitchen\\_faucets.html](http://www.blancoamerica.com/kitchen_faucets.html), May 12, 2004, pp. 1-4.

\* cited by examiner

*Primary Examiner* — Robert A Delehanty

(74) *Attorney, Agent, or Firm* — Boyle Fredrickson, S.C.

(57) **CLAIM**

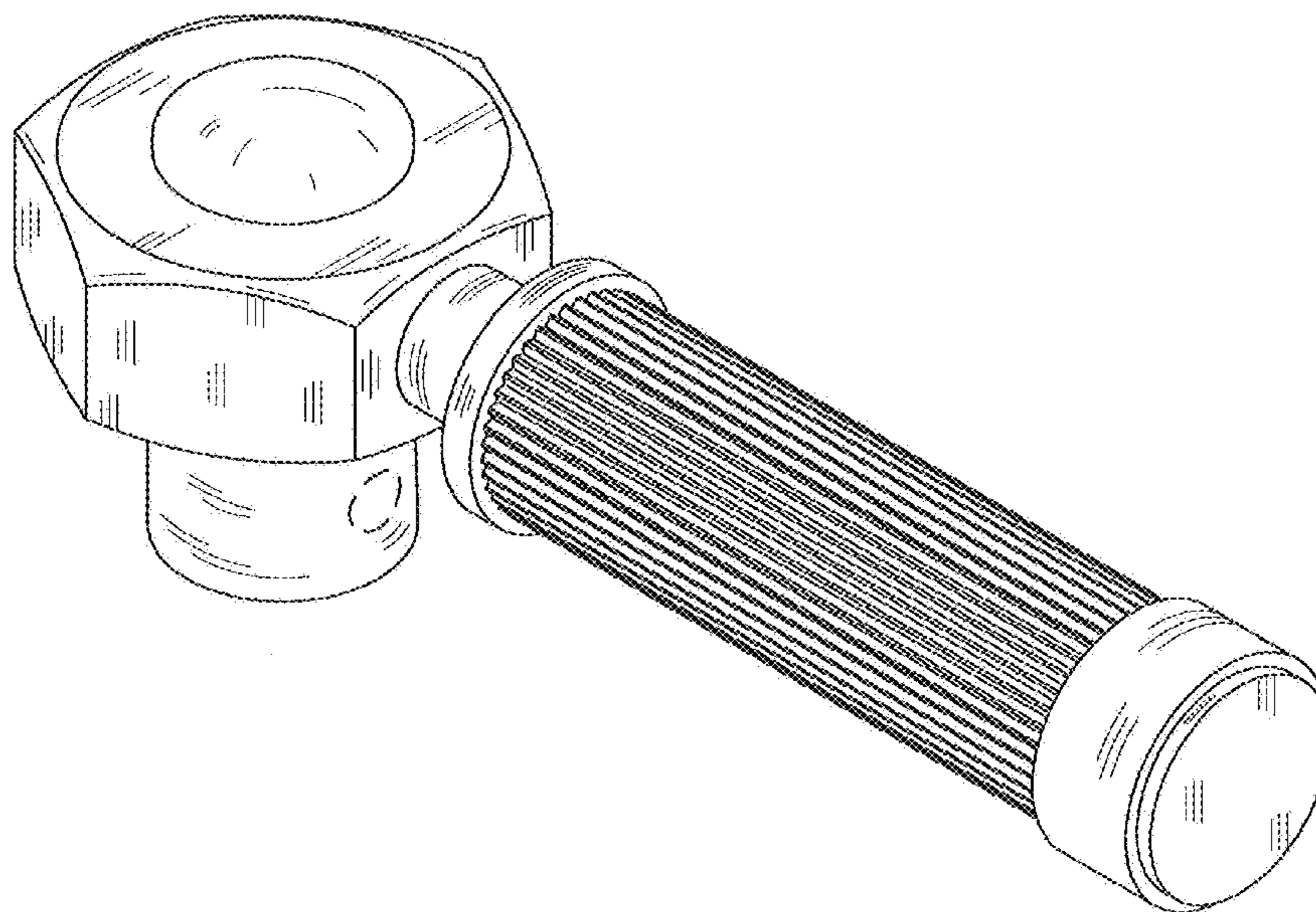
The ornamental design for a faucet handle, as shown and described.

**DESCRIPTION**

FIG. 1 is a top, front, right perspective view of a faucet handle incorporating my new design; FIG. 2 is a right-side elevation view thereof; FIG. 3 is a left-side elevation view thereof; FIG. 4 is a front elevation view thereof; FIG. 5 is a rear elevation view thereof; FIG. 6 is a top plan view thereof; and, FIG. 7 is a bottom plan view thereof.

The broken lines in the drawings depict portions of the faucet handle that form no part of the of the claimed design.

**1 Claim, 7 Drawing Sheets**



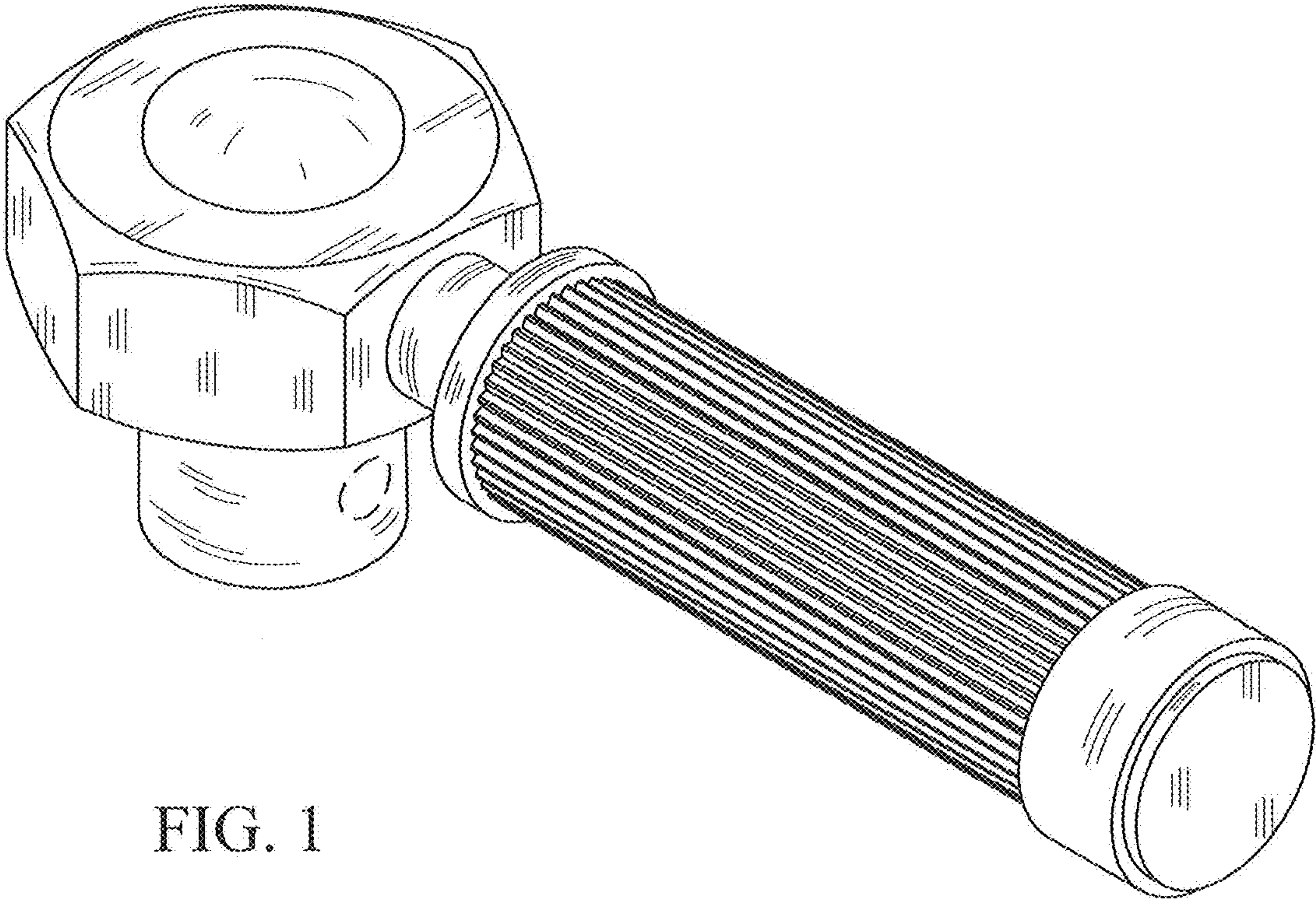


FIG. 1

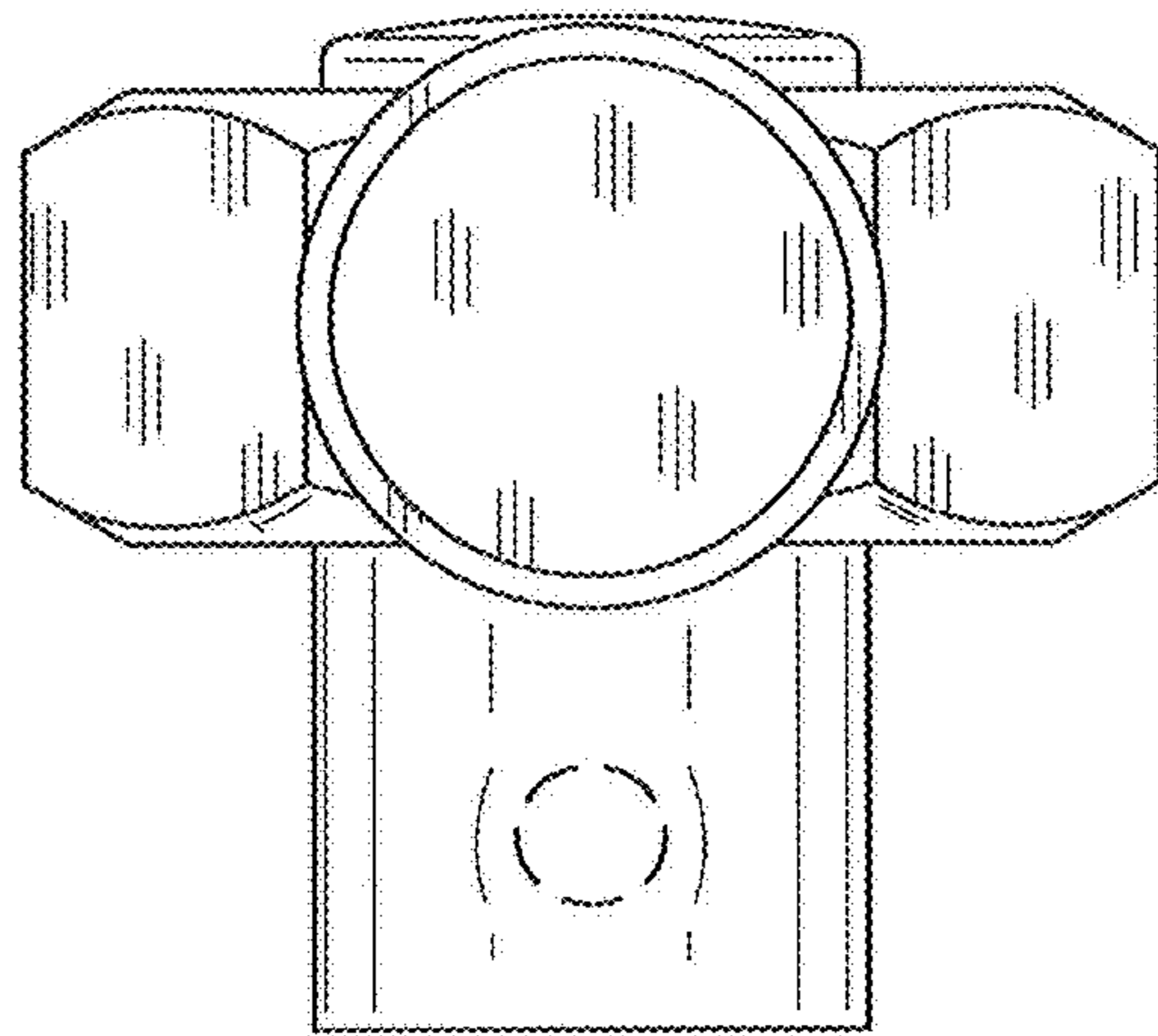


FIG. 2

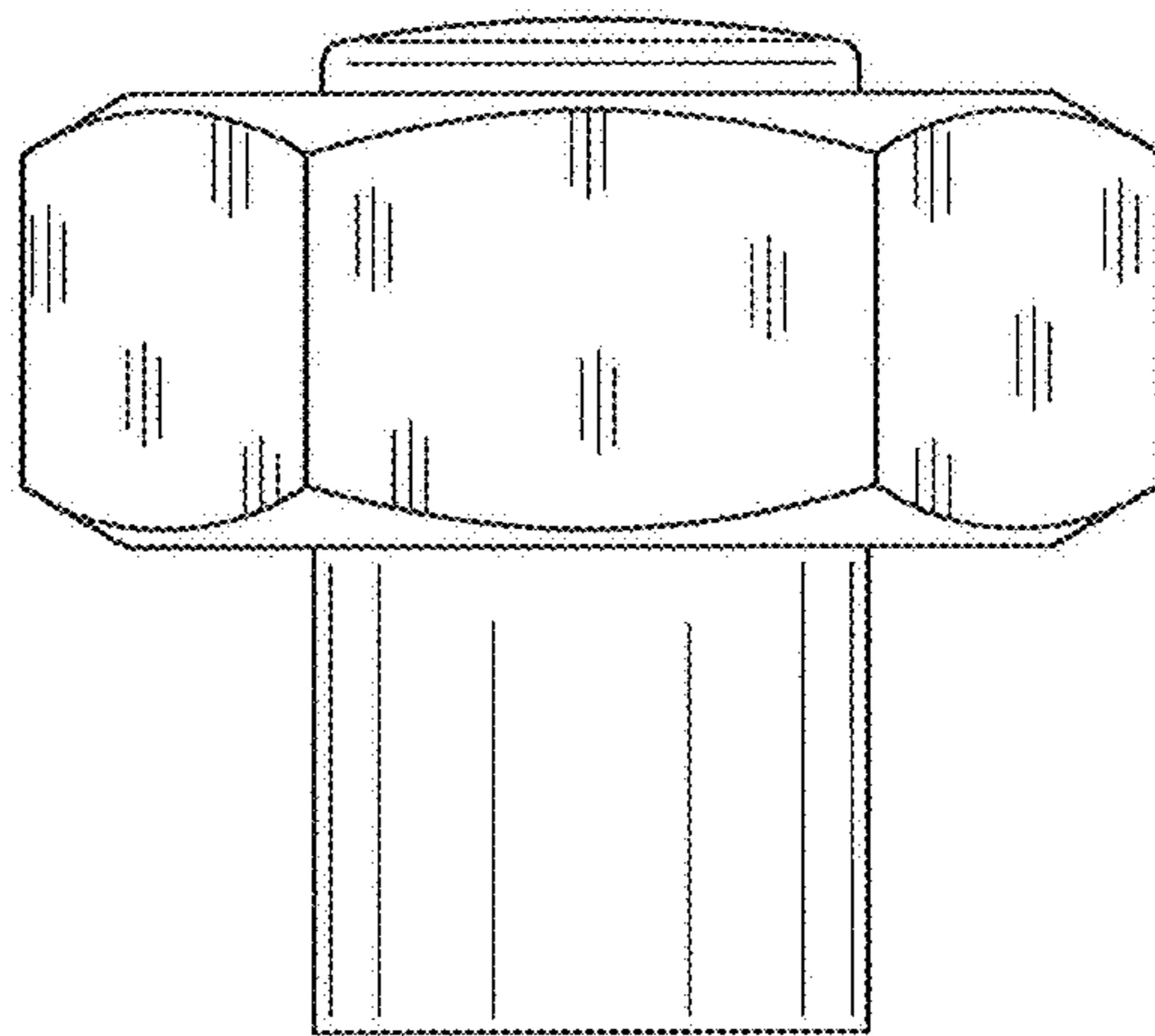


FIG. 3

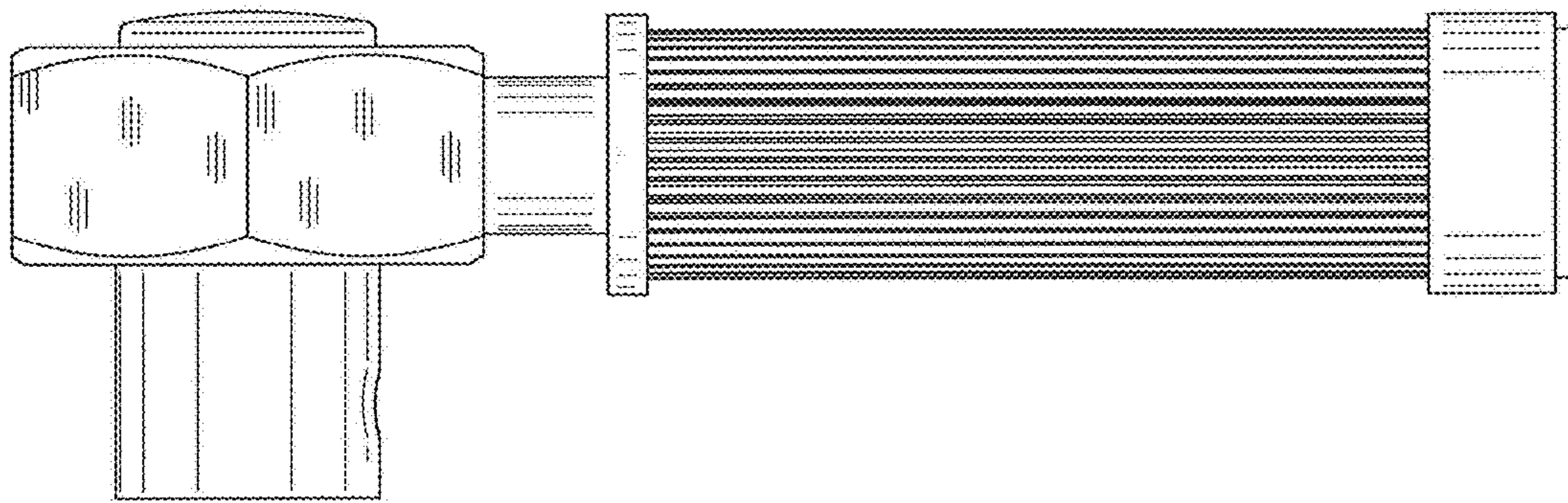


FIG. 4

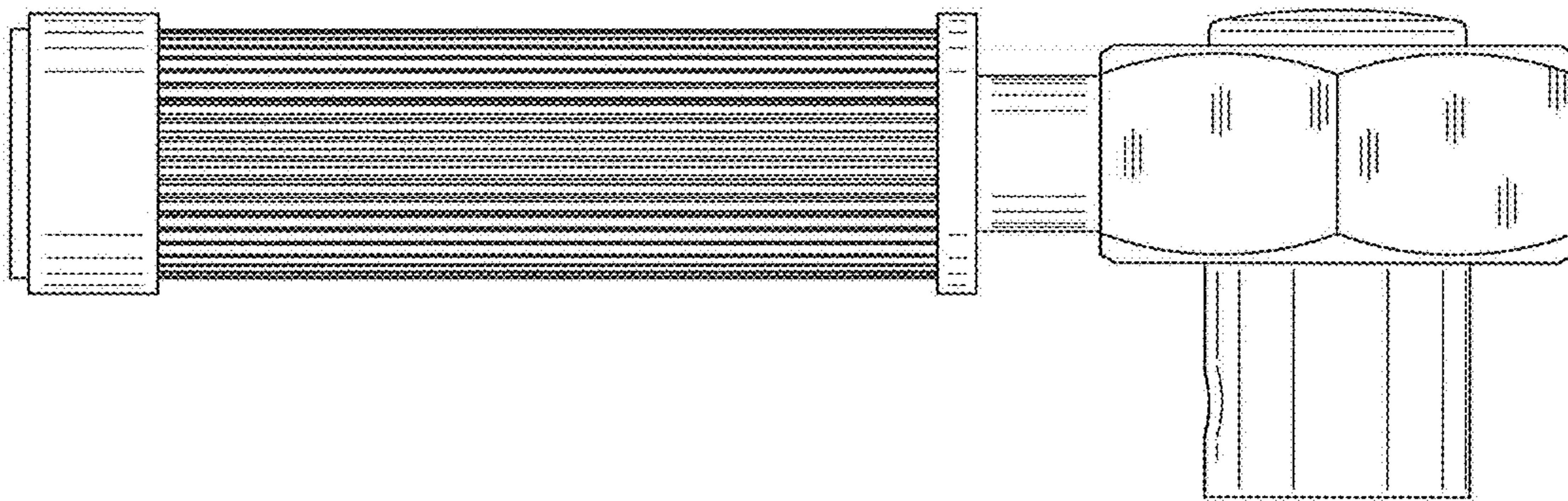


FIG. 5

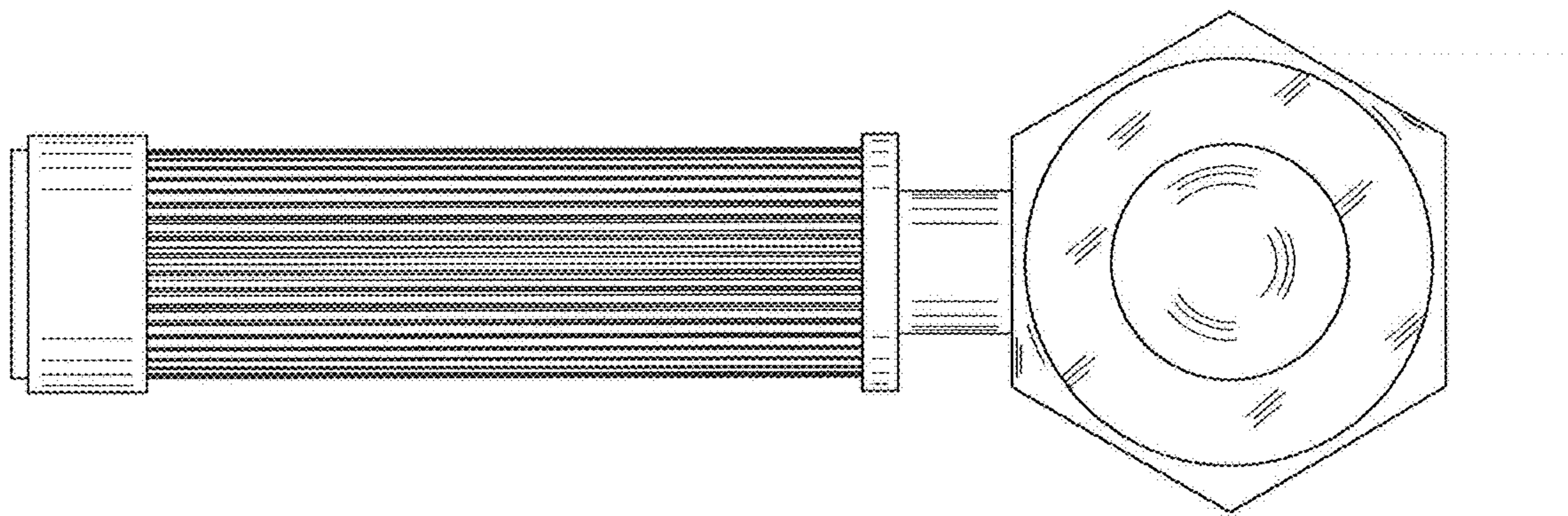


FIG. 6

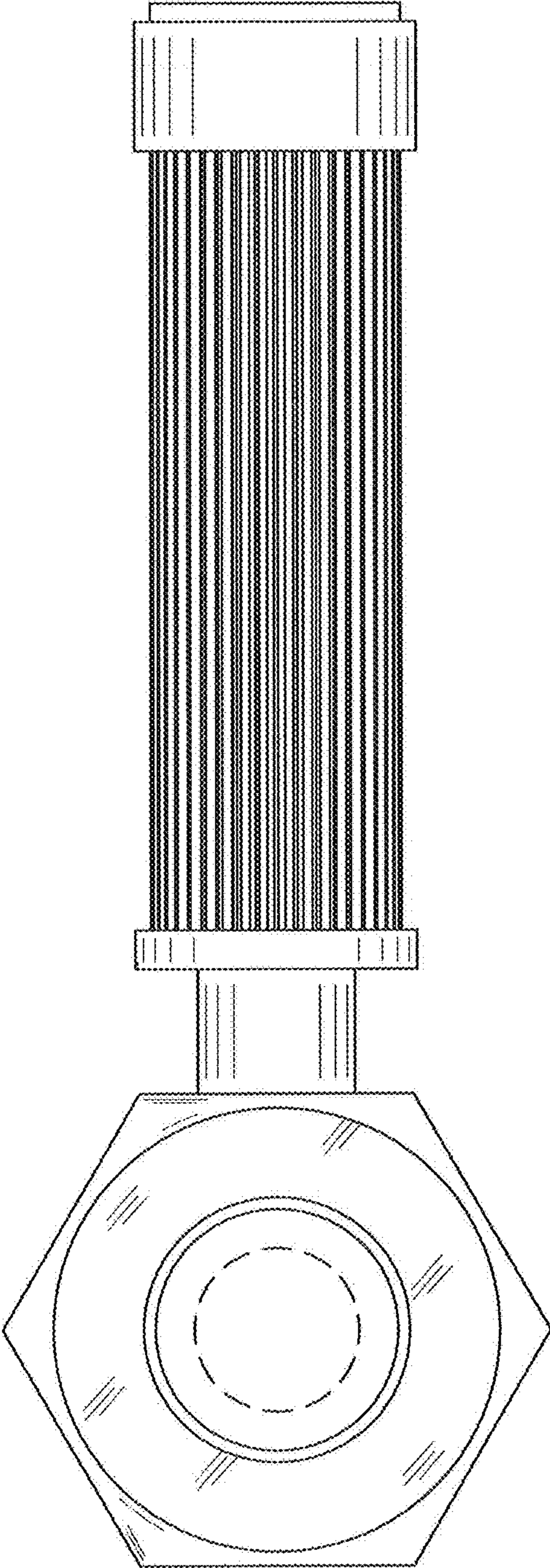


FIG. 7