



US00D862659S

(12) **United States Design Patent**
Kulig

(10) **Patent No.:** **US D862,659 S**

(45) **Date of Patent:** **** Oct. 8, 2019**

(54) **FAUCET HANDLE**

(71) Applicant: **Graff Faucets**, Milwaukee, WI (US)

(72) Inventor: **Zbigniew Kulig**, Wadworth, IL (US)

(73) Assignee: **Graff Faucets**, Milwaukee, WI (US)

(**) Term: **15 Years**

(21) Appl. No.: **29/655,902**

(22) Filed: **Jul. 9, 2018**

(51) **LOC (12) Cl.** **23-01**

(52) **U.S. Cl.**

USPC **D23/252**

(58) **Field of Classification Search**

USPC D23/238-243, 249, 250, 252, 254;
D8/307-308

CPC E03C 1/0412; E03C 1/0409

See application file for complete search history.

(56) **References Cited**

U.S. PATENT DOCUMENTS

D442,264 S * 5/2001 Mullenmeister D23/252

D511,201 S 11/2005 Kulig et al.

D529,994 S 10/2006 Kulig

D573,231 S 7/2008 Kulig

D579,521 S 10/2008 Kulig

D632,369 S 2/2011 Kulig

D666,695 S 9/2012 Kulig et al.

D714,426 S 9/2014 Kulig

D777,882 S * 1/2017 Hong D23/252

D797,244 S 9/2017 Kulig

D828,909 S * 9/2018 Liu D23/254

* cited by examiner

Primary Examiner — Robert A Delehanty

(74) *Attorney, Agent, or Firm* — Boyle Fredrickson, S.C.

(57) **CLAIM**

The ornamental design for a faucet handle, as shown and described.

DESCRIPTION

FIG. 1 is top, front, right, perspective view of a faucet handle incorporating my new design;

FIG. 2 is a front elevation view thereof;

FIG. 3 is a rear elevation view thereof;

FIG. 4 is a left-side elevation view thereof;

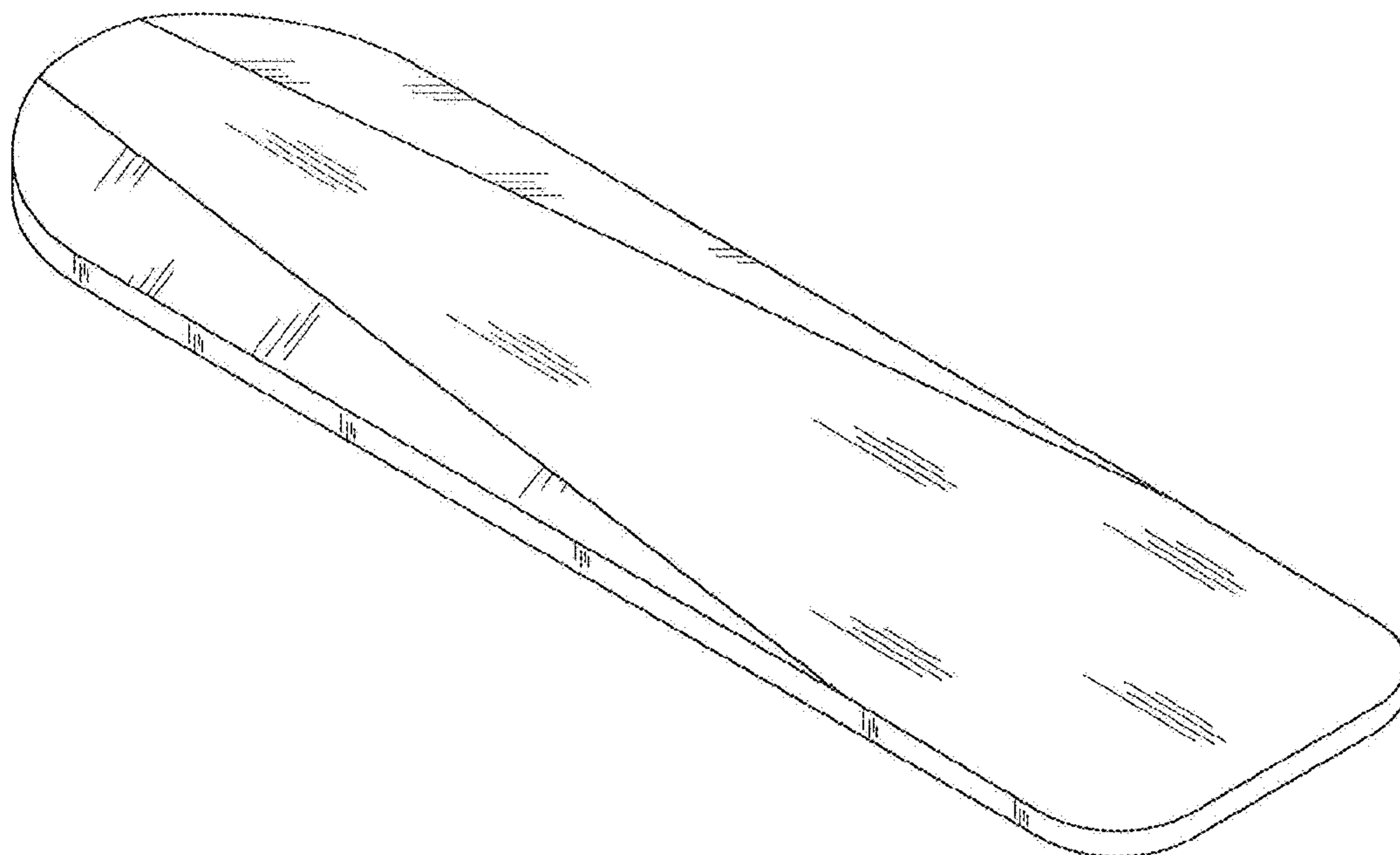
FIG. 5 is a right-side elevation view thereof;

FIG. 6 is a top plan view thereof; and,

FIG. 7 is a bottom plan view thereof.

The broken lines in the drawings depict portions of the faucet handle that form no part of the of the claimed design.

1 Claim, 7 Drawing Sheets



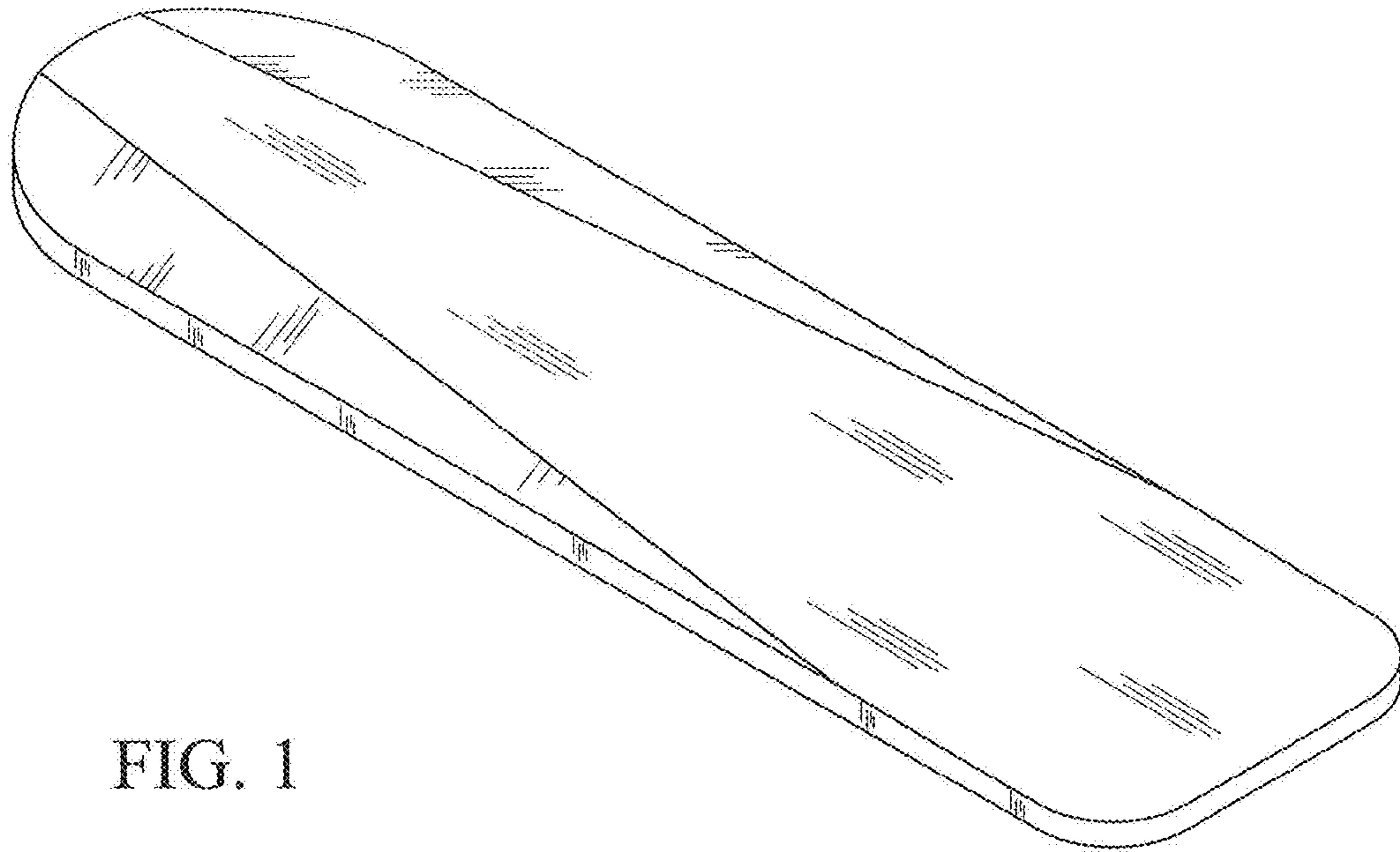


FIG. 1

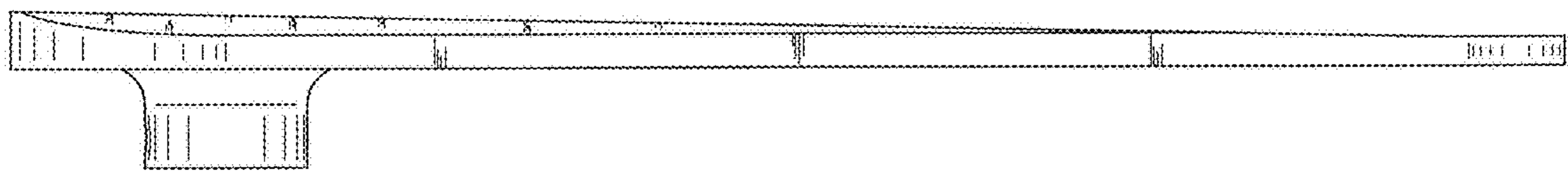


FIG. 2

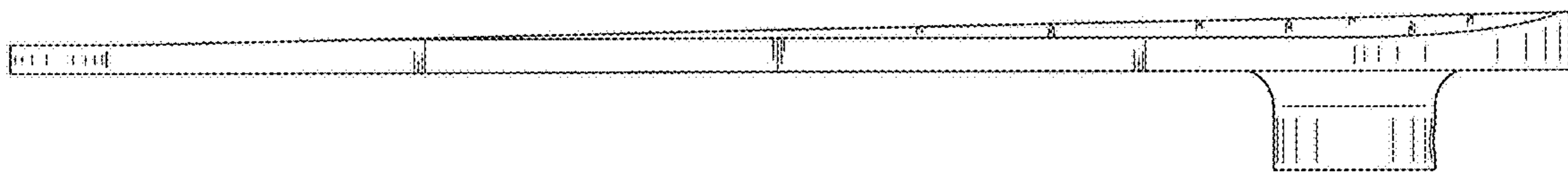


FIG. 3

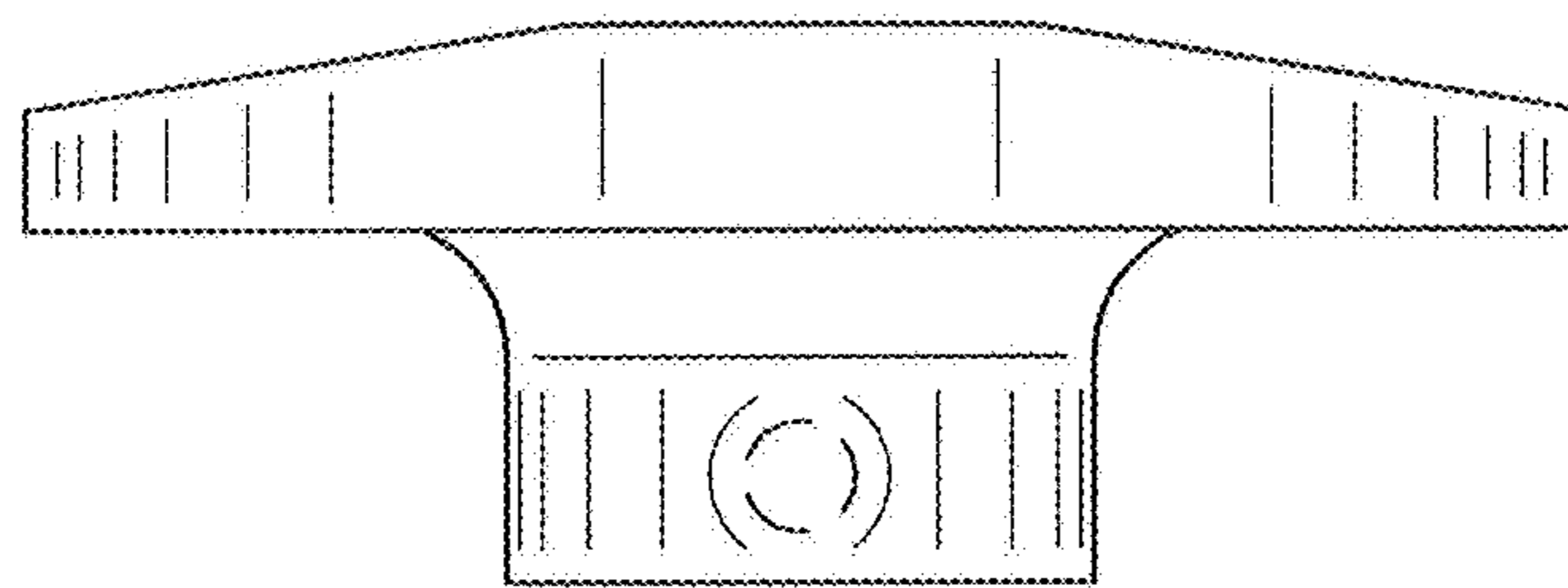


FIG. 4

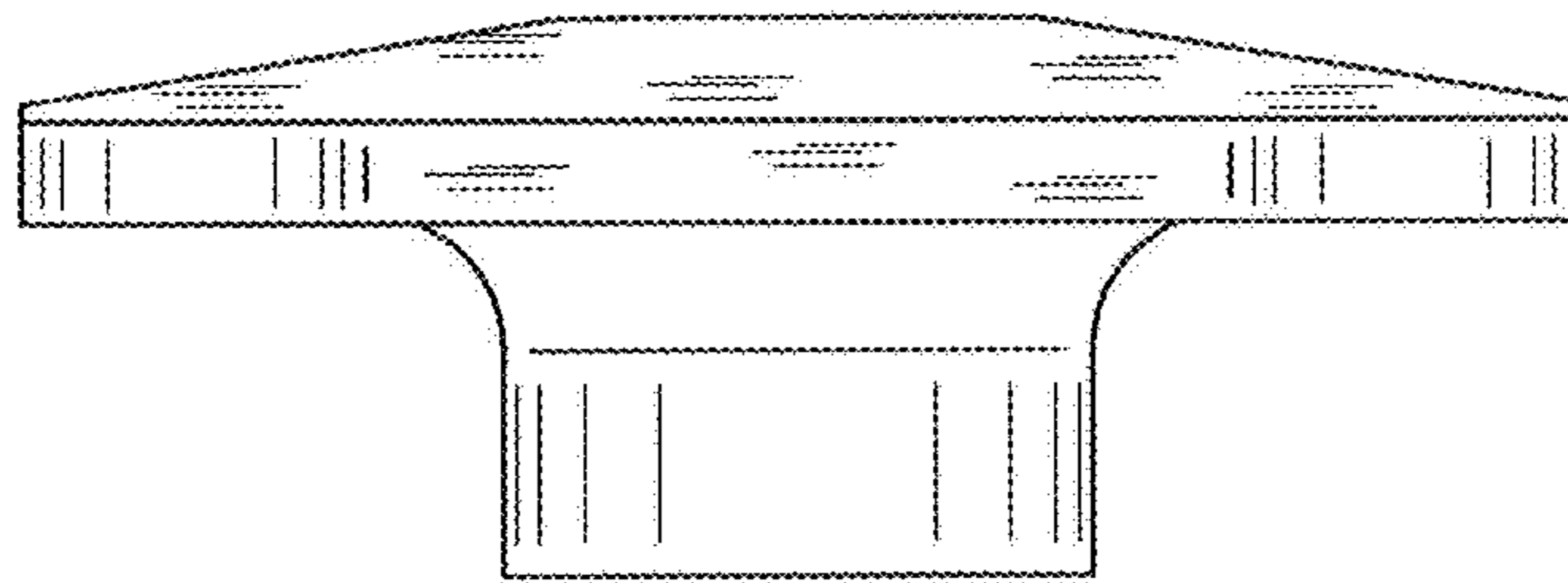


FIG. 5

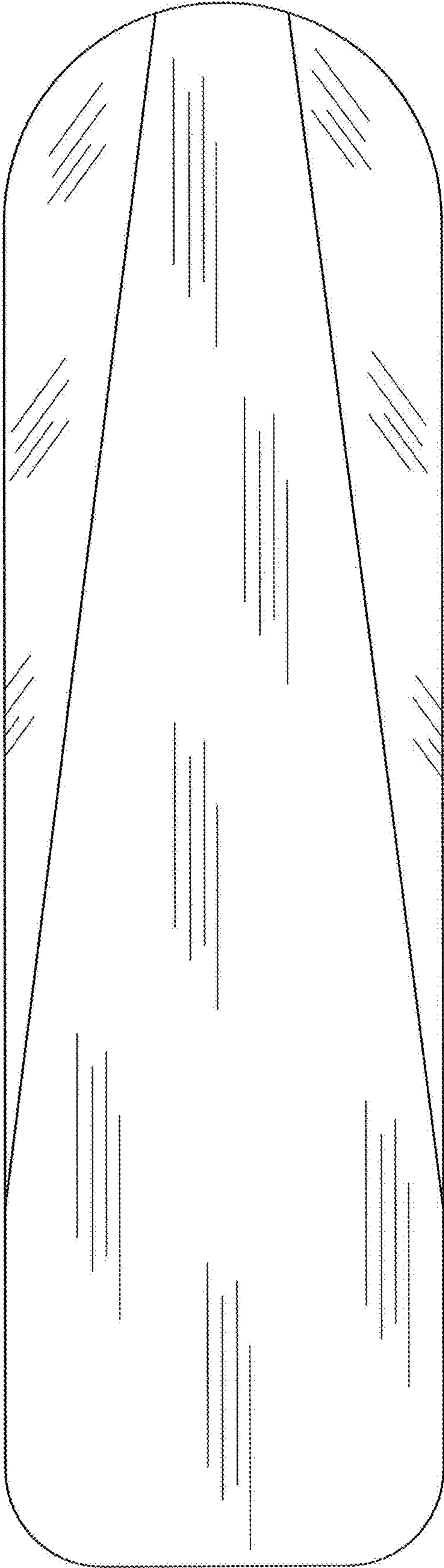


FIG. 6

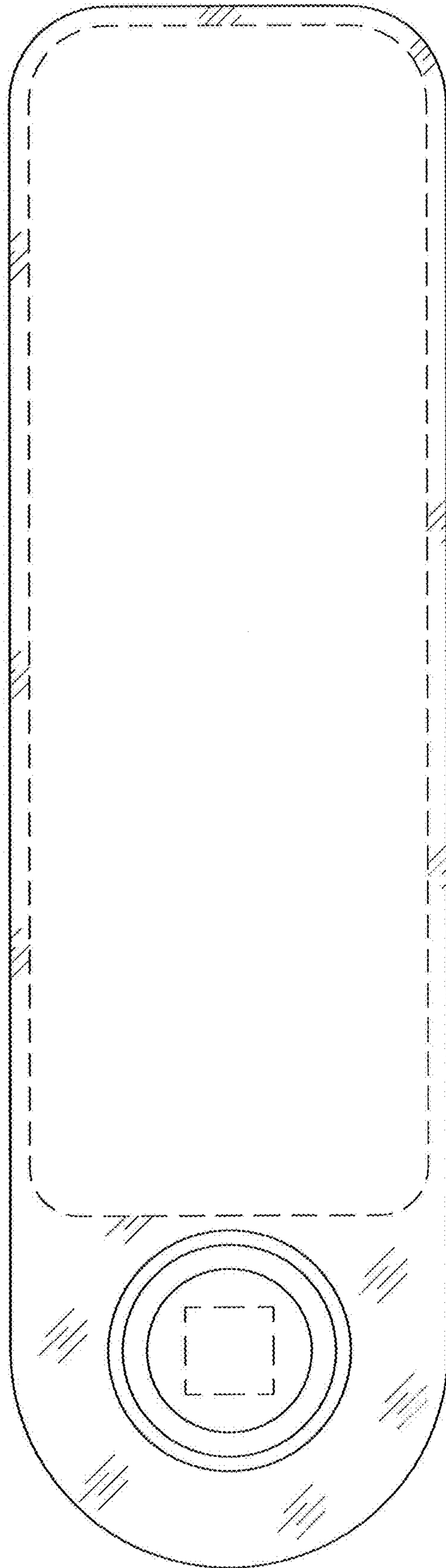


FIG. 7