

US00D862655S

(12) **United States Design Patent**  
**Garland**

(10) **Patent No.:** **US D862,655 S**

(45) **Date of Patent:** **\*\* Oct. 8, 2019**

(54) **FAUCET**

(71) Applicant: **DELTA FAUCET COMPANY,**  
Indianapolis, IN (US)

(72) Inventor: **Celine Kwok Garland,** Zionsville, IN  
(US)

(73) Assignee: **DELTA FAUCET COMPANY,**  
Indianapolis, IN (US)

(\*\*) Term: **15 Years**

(21) Appl. No.: **29/638,491**

(22) Filed: **Feb. 27, 2018**

(51) **LOC (12) Cl.** ..... **23-01**

(52) **U.S. Cl.**  
USPC ..... **D23/242**

(58) **Field of Classification Search**  
USPC ..... D23/238-243, 249, 250, 253, 254, 255,  
D23/257; D8/307-308  
CPC ..... E03C 1/0412; E03C 1/0409  
See application file for complete search history.

(56) **References Cited**

**U.S. PATENT DOCUMENTS**

D492,392 S \* 6/2004 Pohl ..... D23/241  
D538,894 S \* 3/2007 Hoernig ..... D23/241

D540,916 S \* 4/2007 Toyohara ..... D23/241  
D548,563 S \* 8/2007 Hoernig ..... D8/308  
D582,525 S \* 12/2008 Downey ..... D23/255  
D602,570 S \* 10/2009 Lammel ..... D23/242  
D614,734 S \* 4/2010 Kulig ..... D23/242  
D617,879 S \* 6/2010 Lammel ..... D23/254  
D619,221 S \* 7/2010 Kulig ..... D23/242  
D734,837 S \* 7/2015 Sieger ..... D23/242

\* cited by examiner

*Primary Examiner* — Robert A Delehanty

(74) *Attorney, Agent, or Firm* — Edgar A. Zarins; Nirav  
D. Parikh

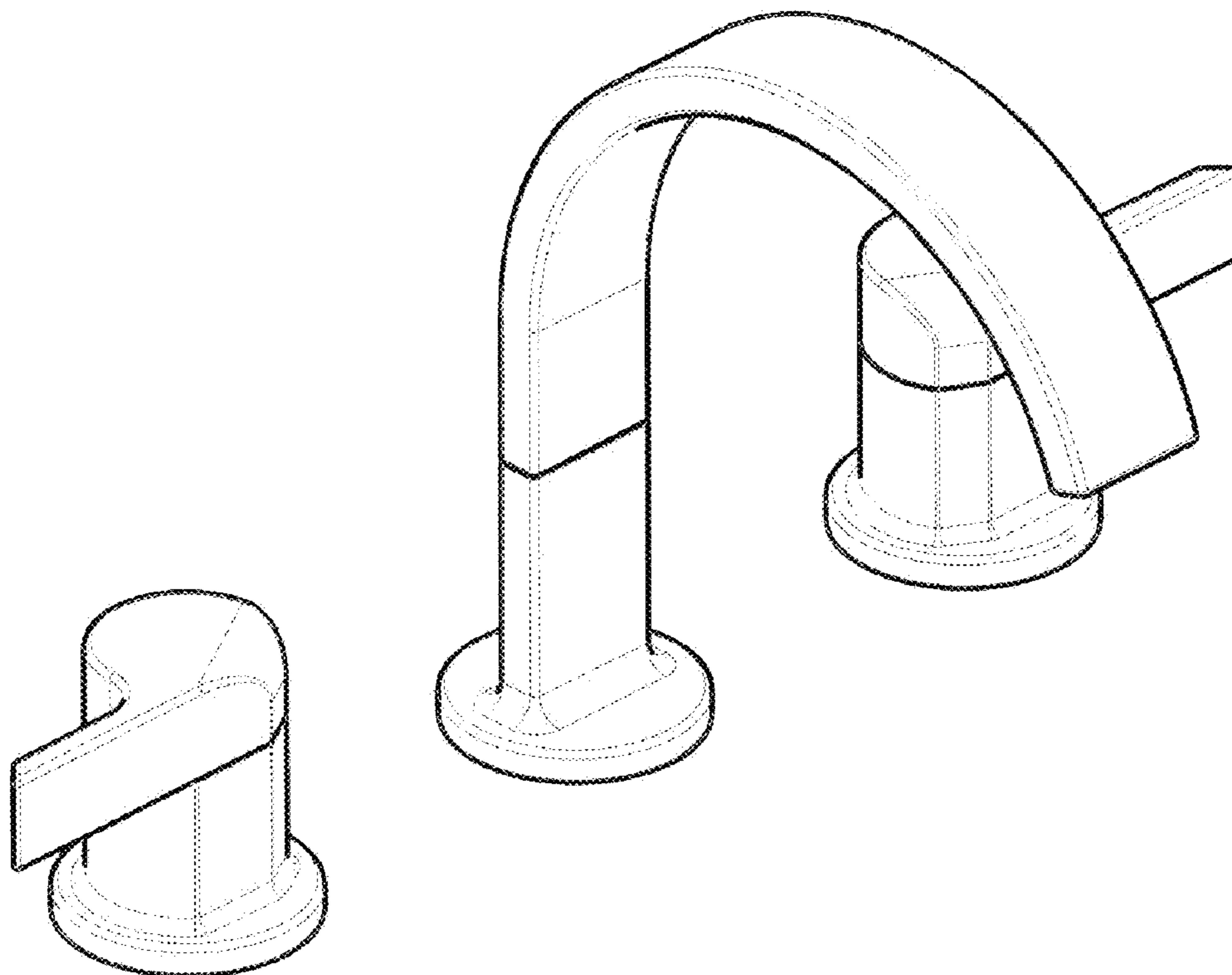
(57) **CLAIM**

The ornamental design for a faucet, as shown and described.

**DESCRIPTION**

FIG. 1 is a first perspective view of a faucet showing my new design;  
FIG. 2 is a second perspective view thereof;  
FIG. 3 is a front elevational view thereof;  
FIG. 4 is a left side view thereof;  
FIG. 5 is a rear view thereof;  
FIG. 6 is a right side view thereof;  
FIG. 7 is a top plan view thereof; and,  
FIG. 8 is a bottom view thereof.

**1 Claim, 4 Drawing Sheets**



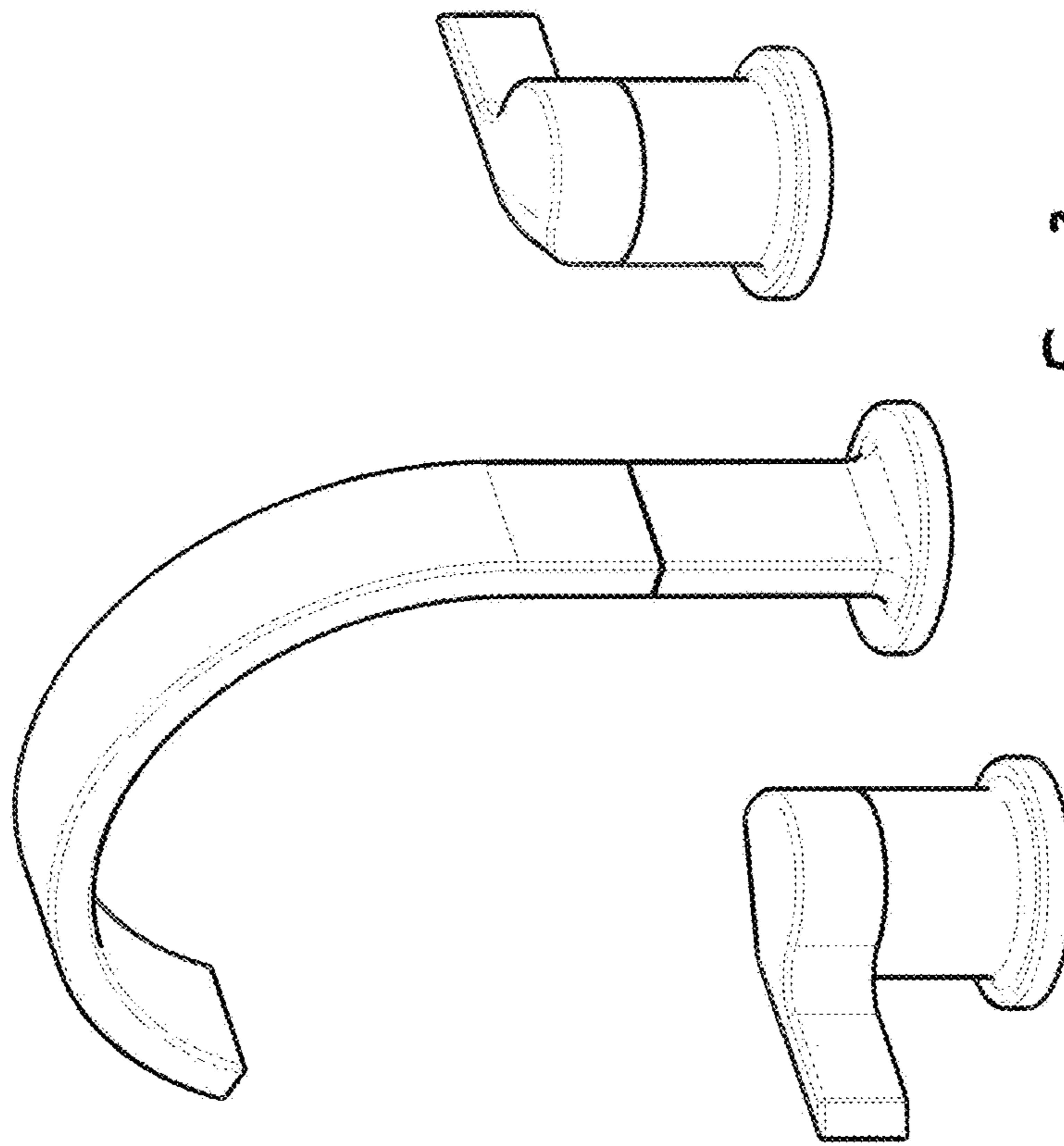


Fig. 2

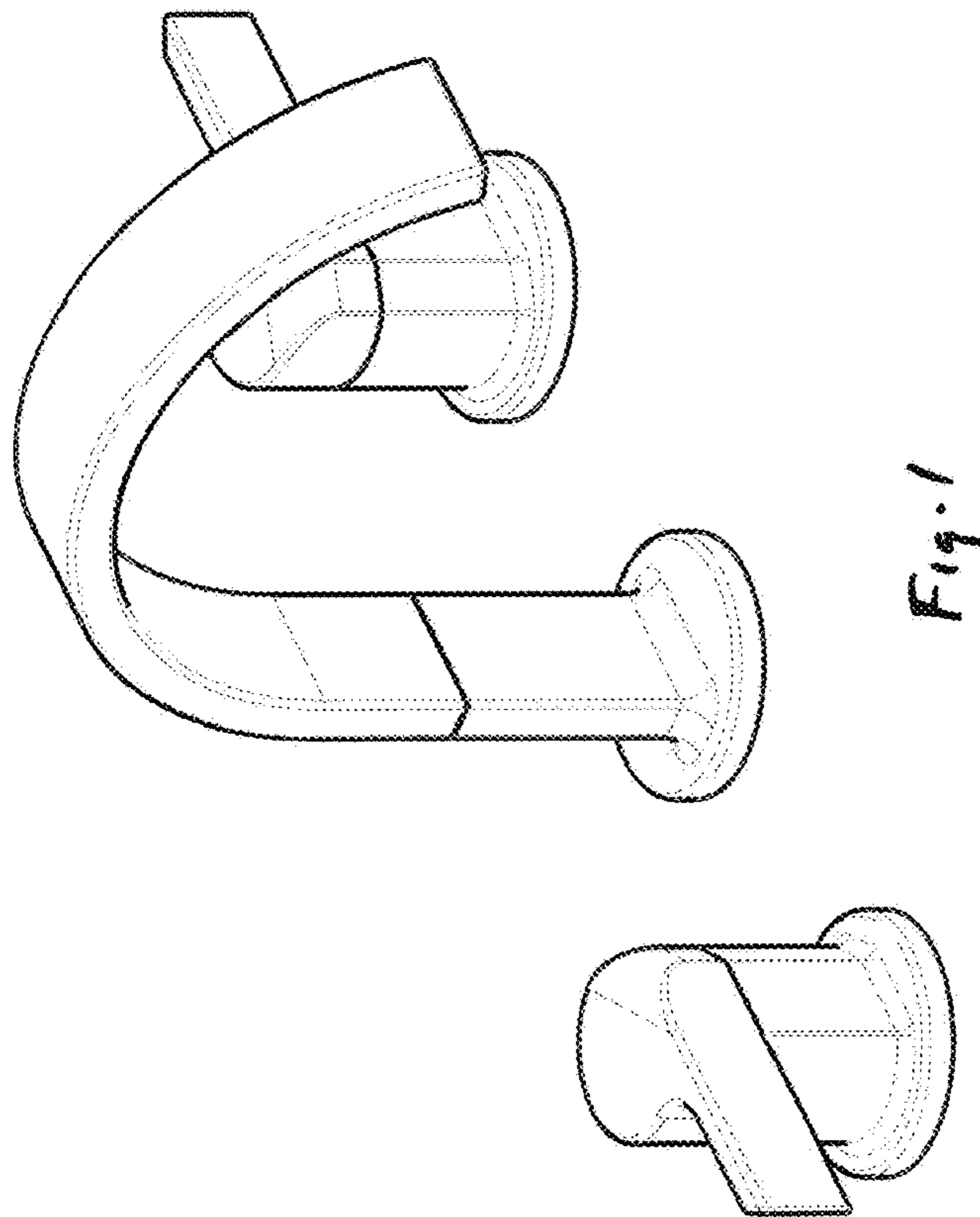


Fig. 1

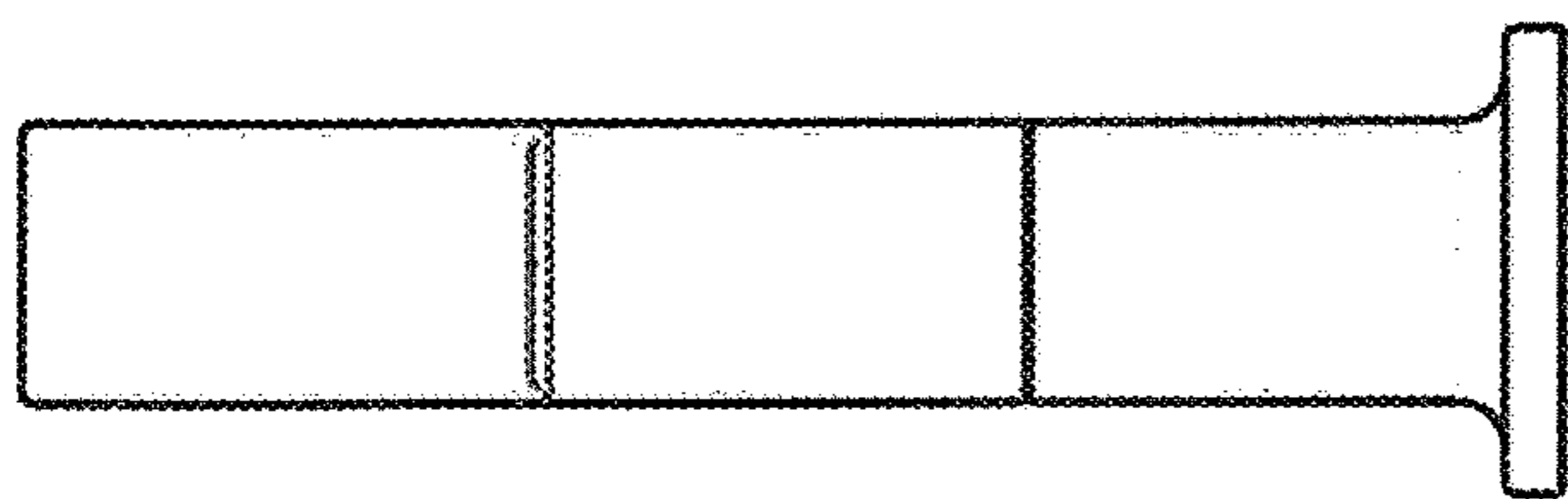


Fig. 3

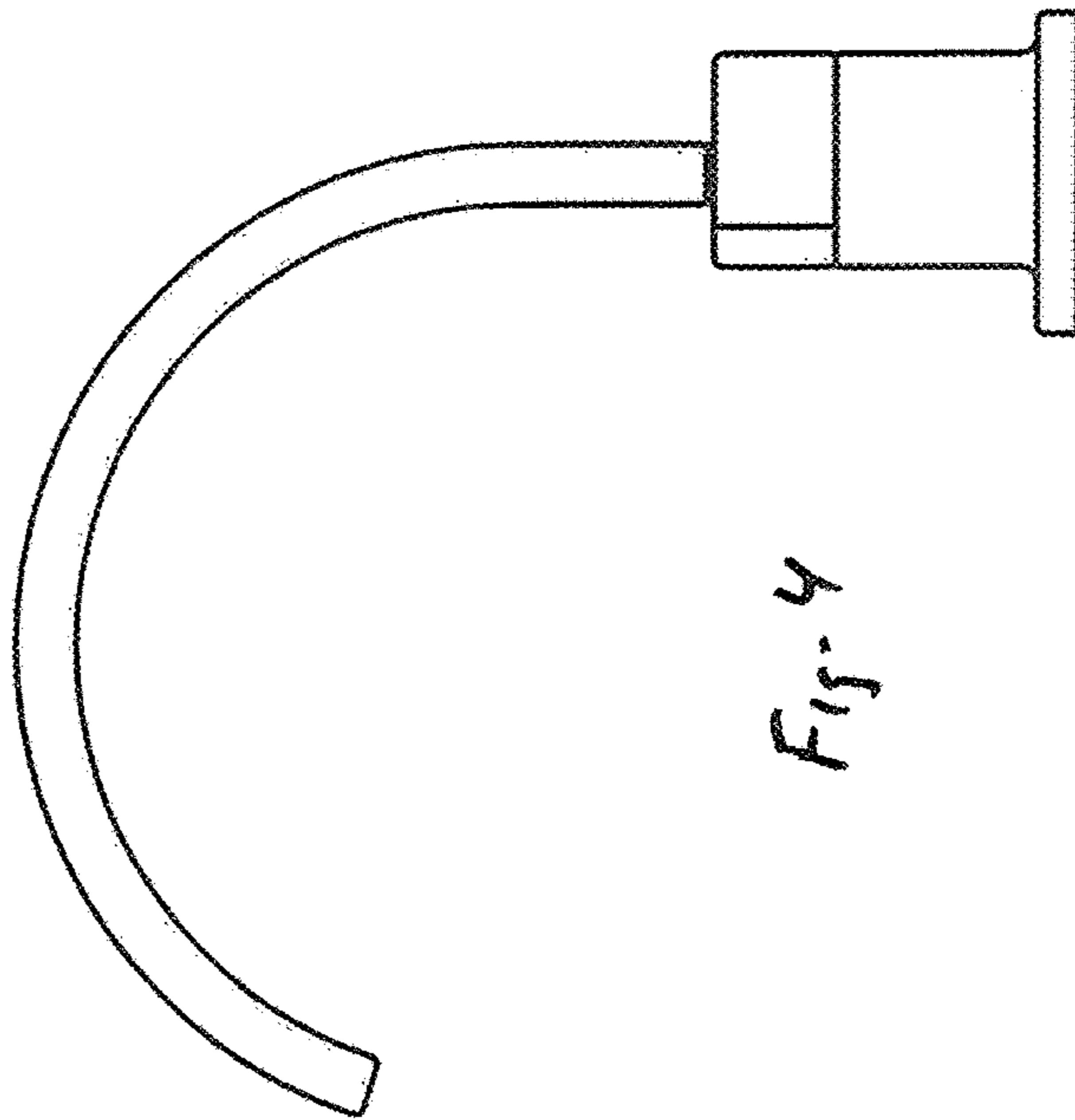
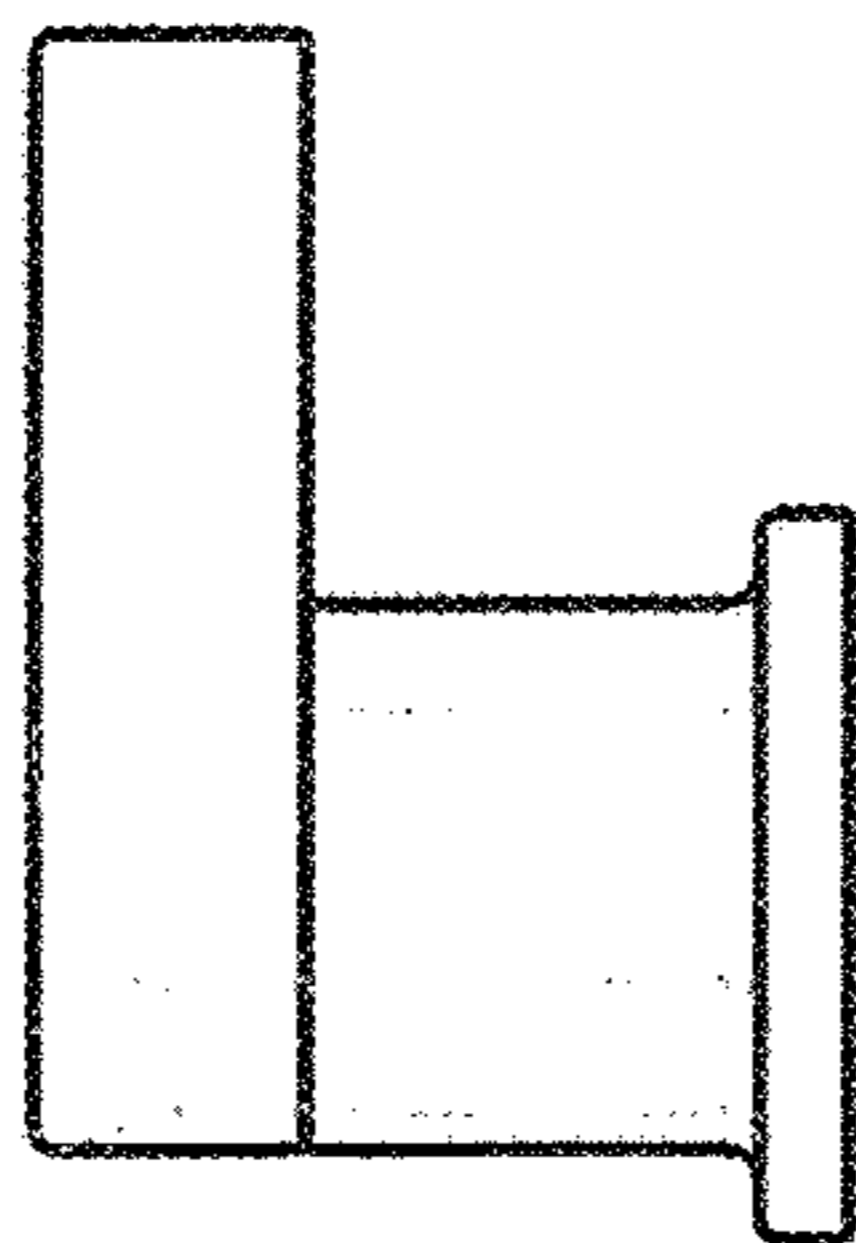
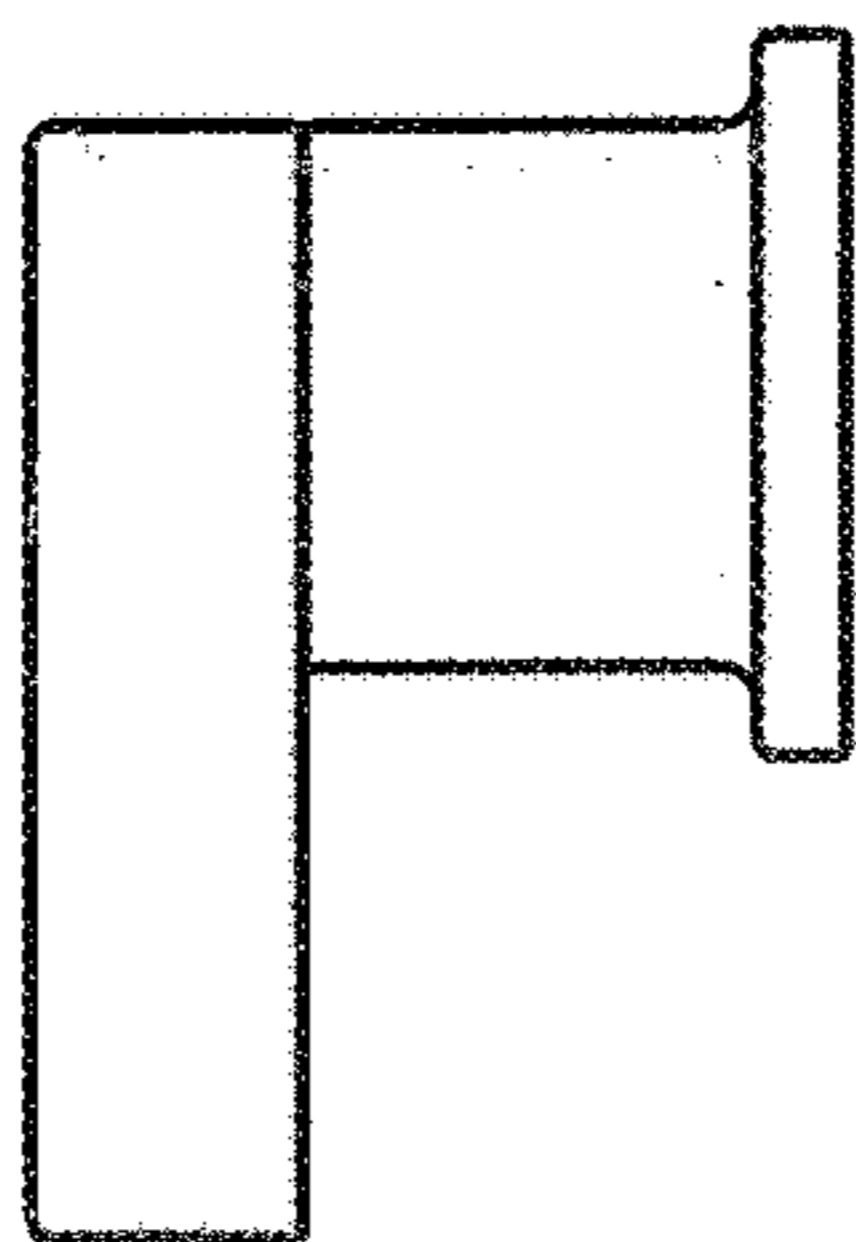


Fig. 4

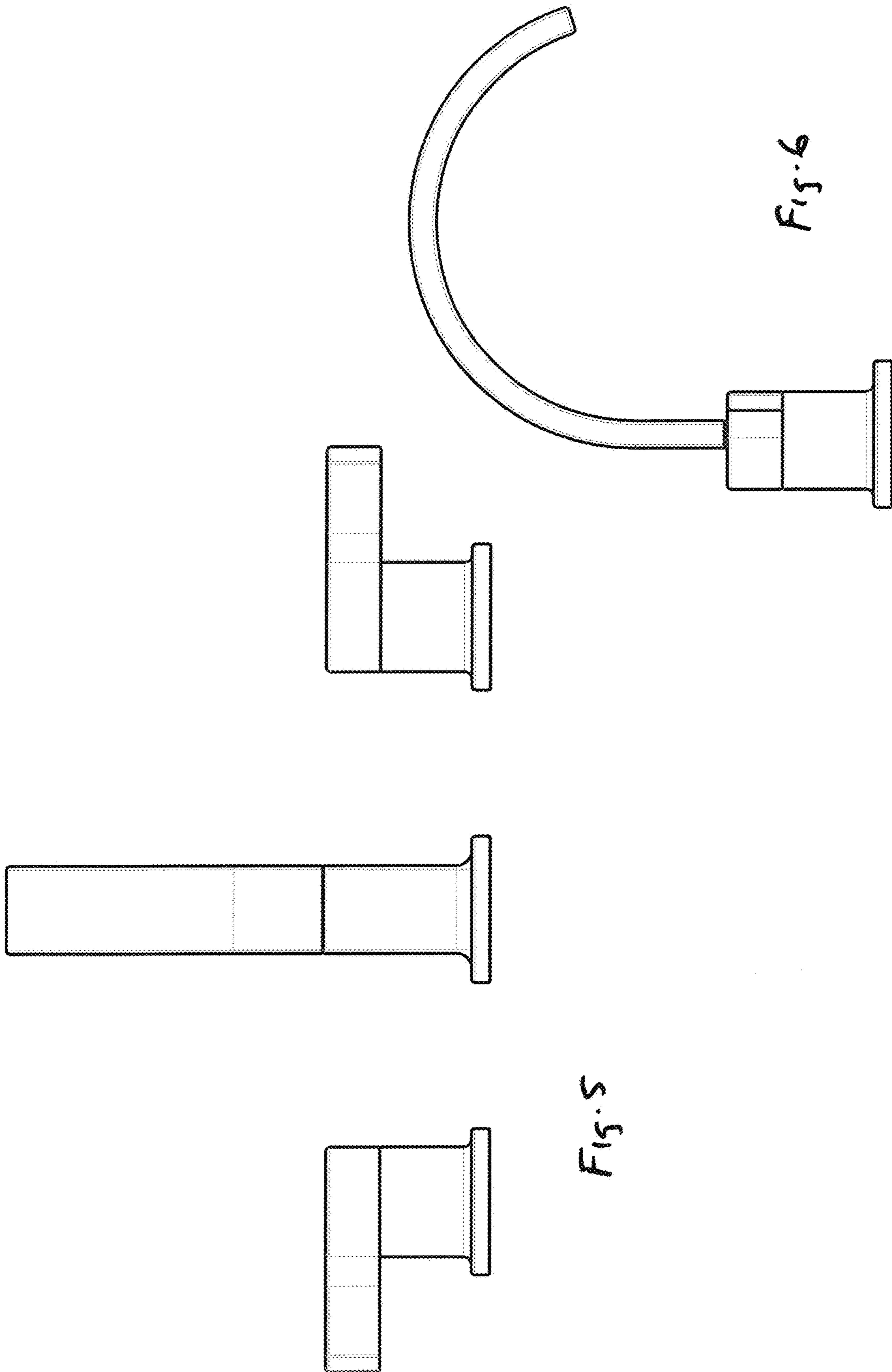


Fig. 6

Fig. 5

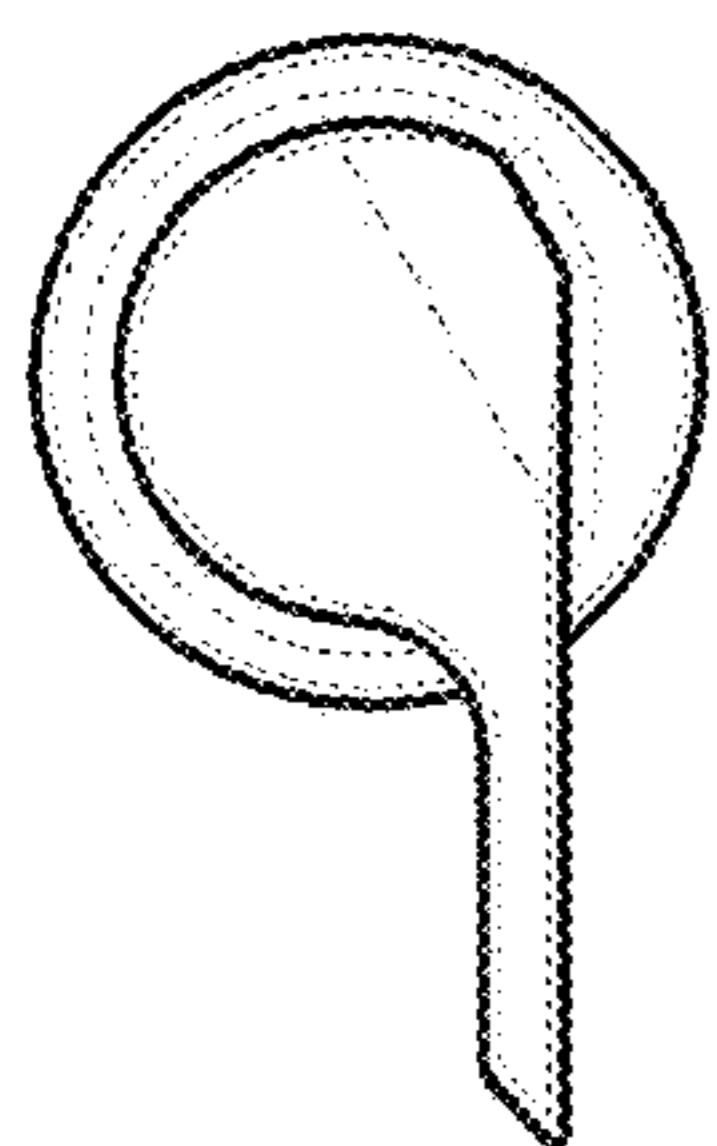
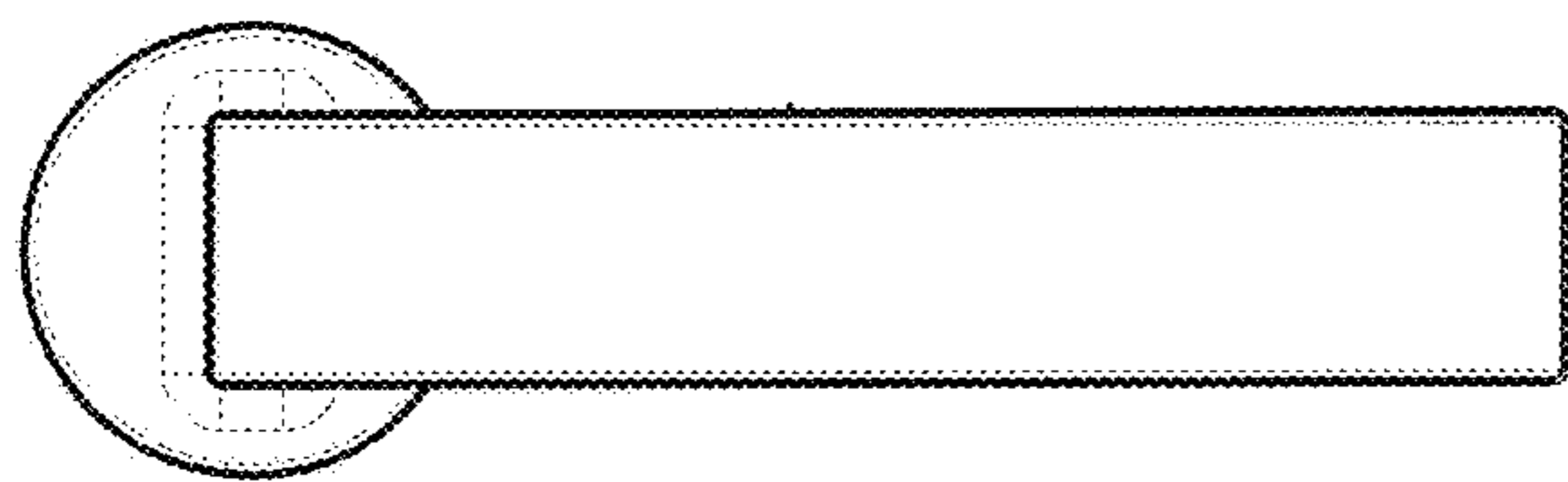
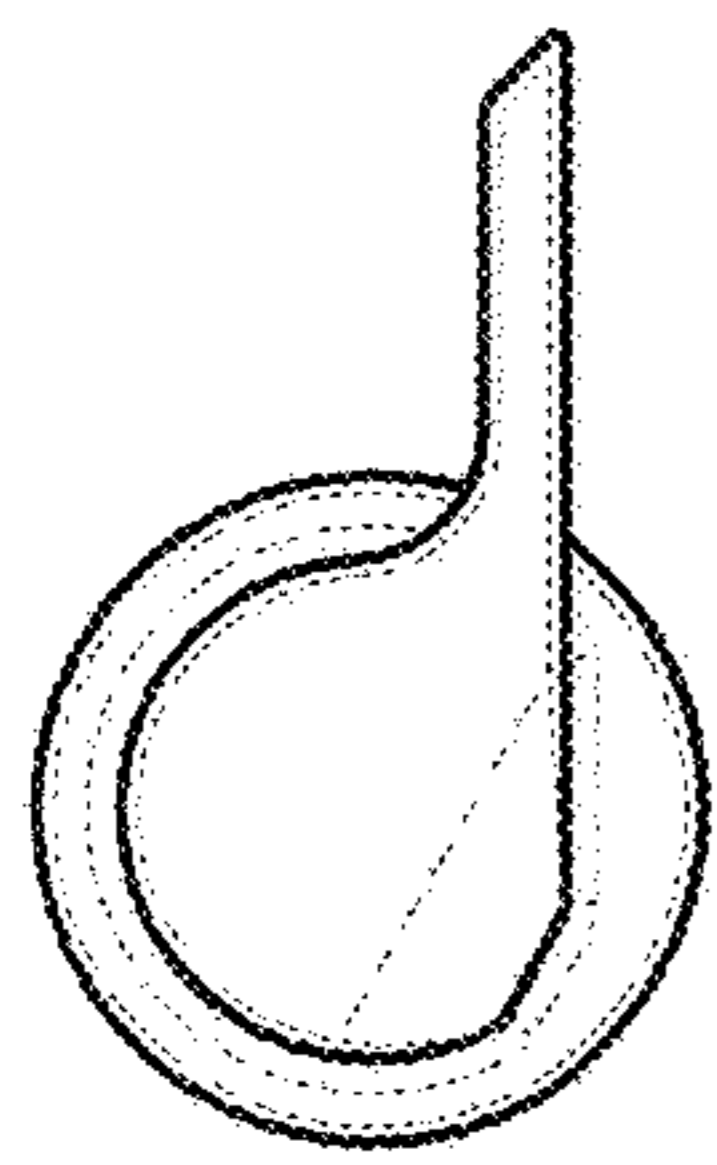


Fig. 7

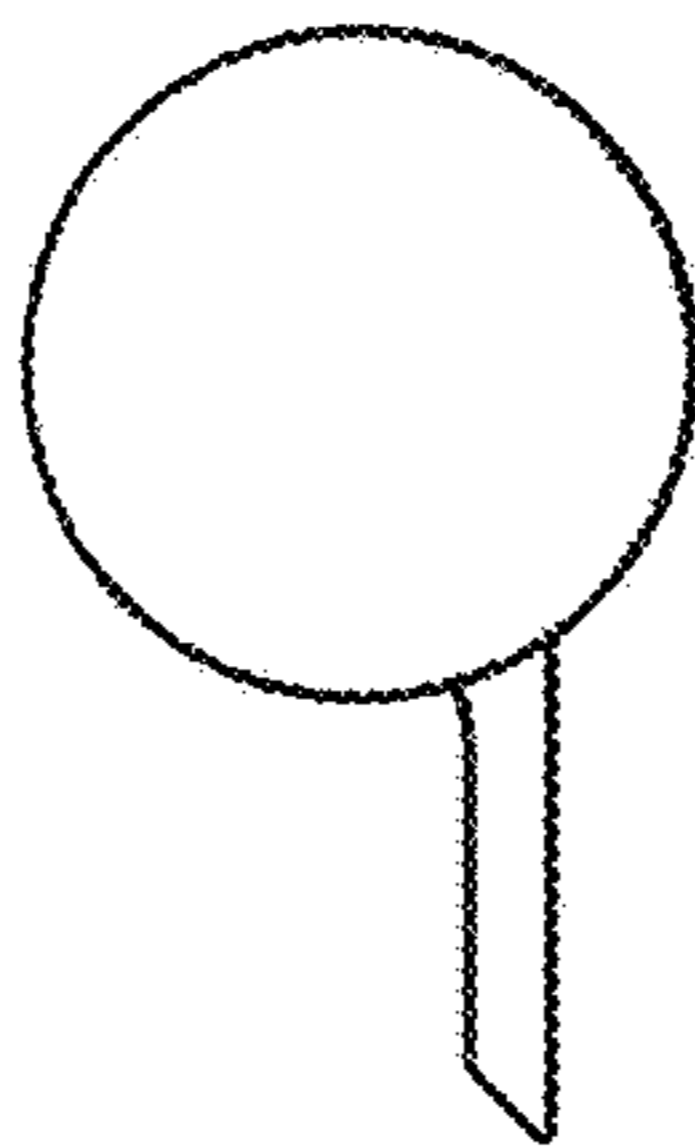
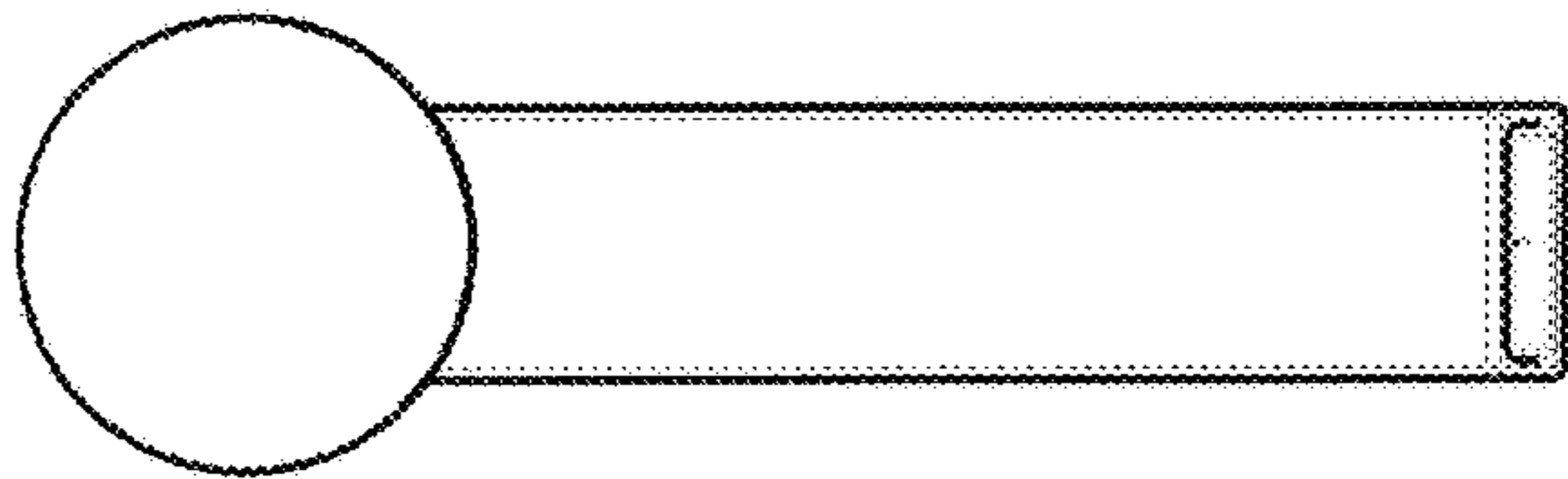
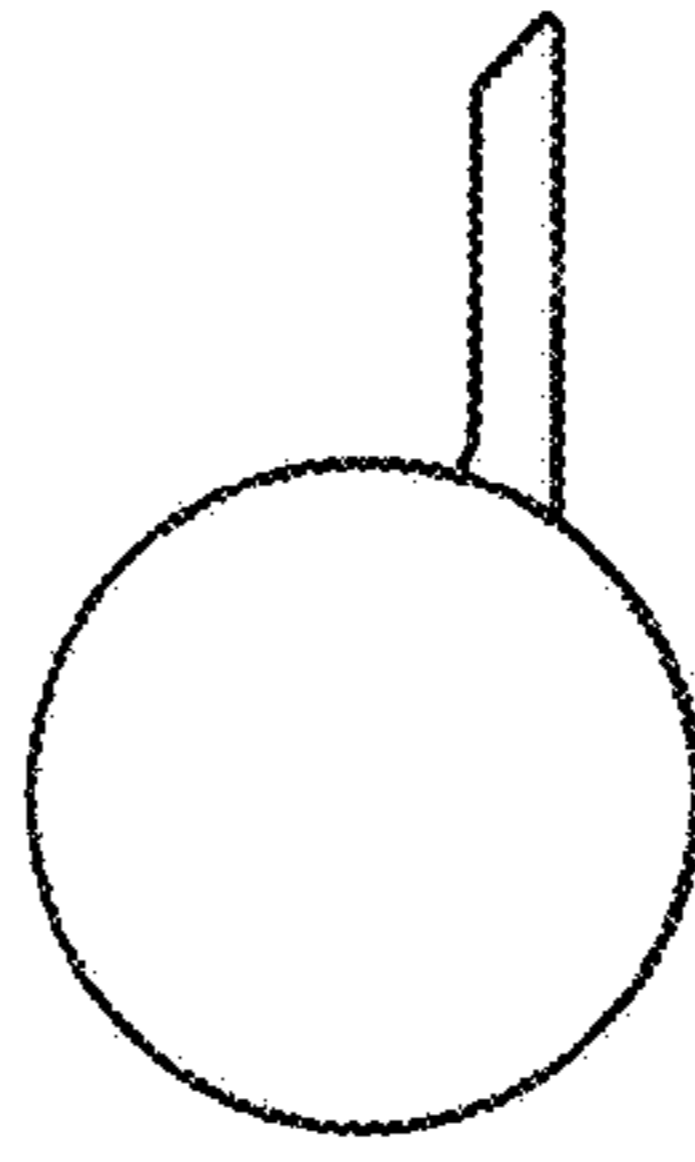


Fig. 8