



US00D862654S

(12) **United States Design Patent**
Zeng

(10) **Patent No.:** **US D862,654 S**

(45) **Date of Patent:** **** Oct. 8, 2019**

(54) **FAUCET**

7,150,293 B2 * 12/2006 Jonte E03C 1/057
137/613

(71) Applicant: **Foshan Shunde Yajiasi Kitchen Cabinet Co., Ltd.**, Foshan (Guangdong Province) (CN)

D677,366 S * 3/2013 Chen D23/255
D754,294 S * 4/2016 Garland D23/238
D815,854 S * 4/2018 Weir D6/542
D835,758 S * 12/2018 Schoenherr D23/252
10,183,871 B2 * 1/2019 Ye E03C 1/0412

(72) Inventor: **Deju Zeng**, Foshan (CN)

* cited by examiner

(73) Assignee: **Foshan Shunde Yajiasi Kitchen Cabinet Co., Ltd.**, Foshan (CN)

Primary Examiner — Robert A Delehanty
(74) *Attorney, Agent, or Firm* — Yong Chen

(**) Term: **15 Years**

(21) Appl. No.: **29/653,404**

(57) **CLAIM**

The ornamental design for a faucet, as shown and described.

(22) Filed: **Jun. 14, 2018**

(51) **LOC (12) Cl.** **23-01**

(52) **U.S. Cl.**
USPC **D23/240**

DESCRIPTION

(58) **Field of Classification Search**
USPC D23/238–243, 249, 255, 257, 250, 252,
D23/254, 213, 223, 226; D8/307–308;
D6/542
CPC E03C 1/0412
See application file for complete search history.

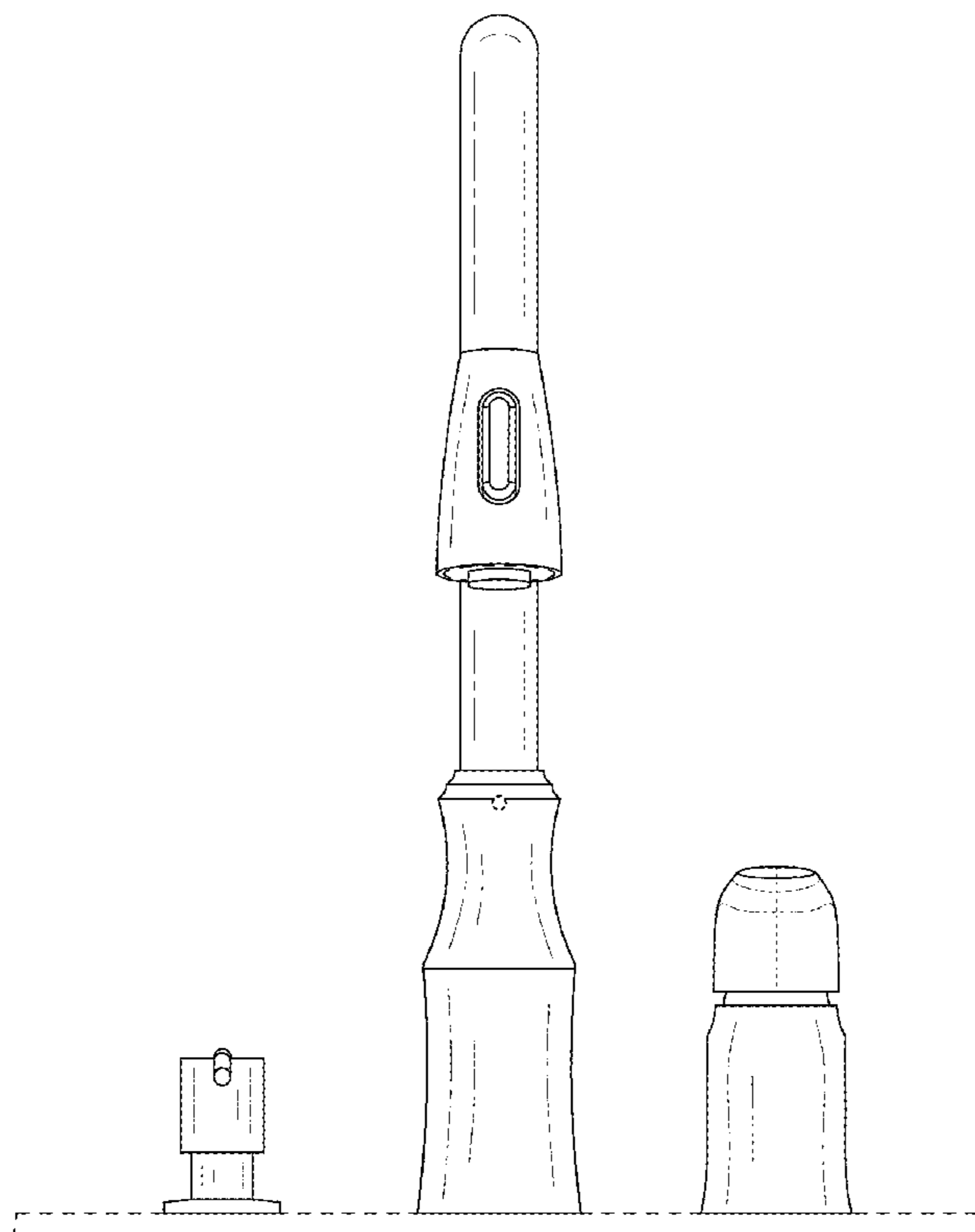
FIG. 1 is a front view of a faucet of the present invention.
FIG. 2 is a back view thereof.
FIG. 3 is a top view thereof.
FIG. 4 is a bottom view thereof.
FIG. 5 is a left view thereof.
FIG. 6 is a right view thereof; and,
FIG. 7 is a perspective view thereof.
The broken line showing of certain portions of the faucet is included for the purpose of illustration only and forms no part of the claimed design.

(56) **References Cited**

U.S. PATENT DOCUMENTS

D520,600 S * 5/2006 Spangler D23/238
D524,913 S * 7/2006 Chu D23/238

1 Claim, 7 Drawing Sheets



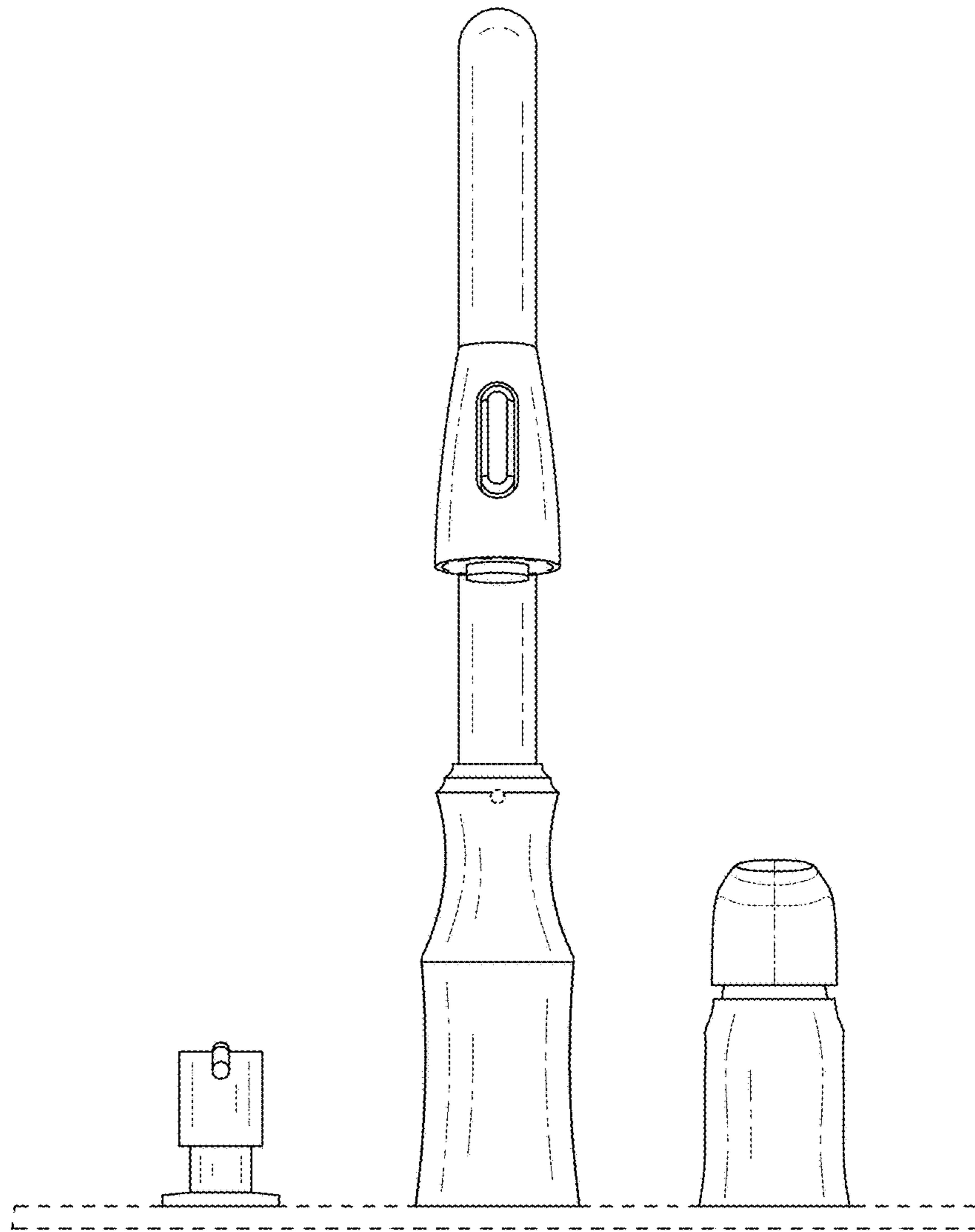


FIG. 1

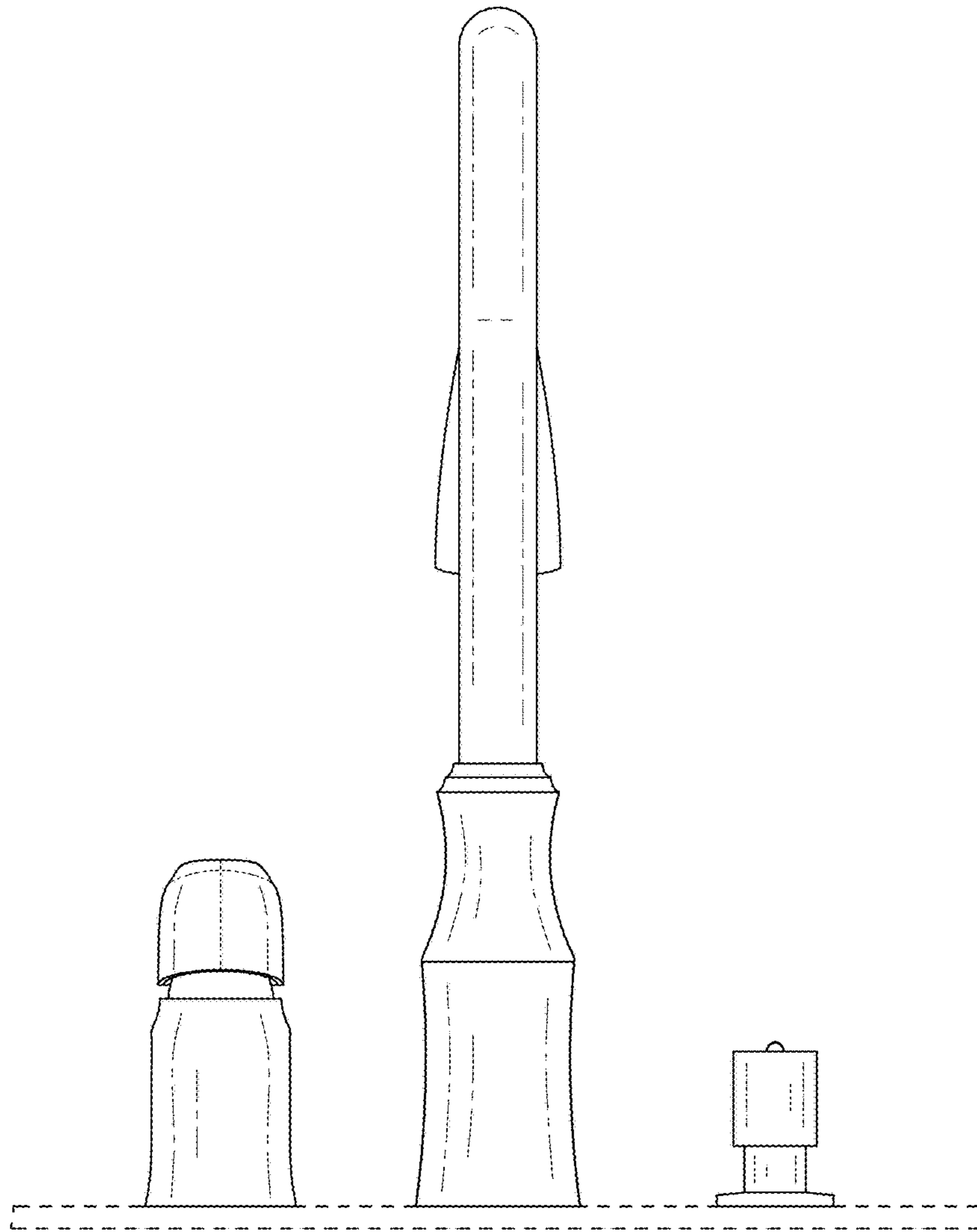


FIG. 2

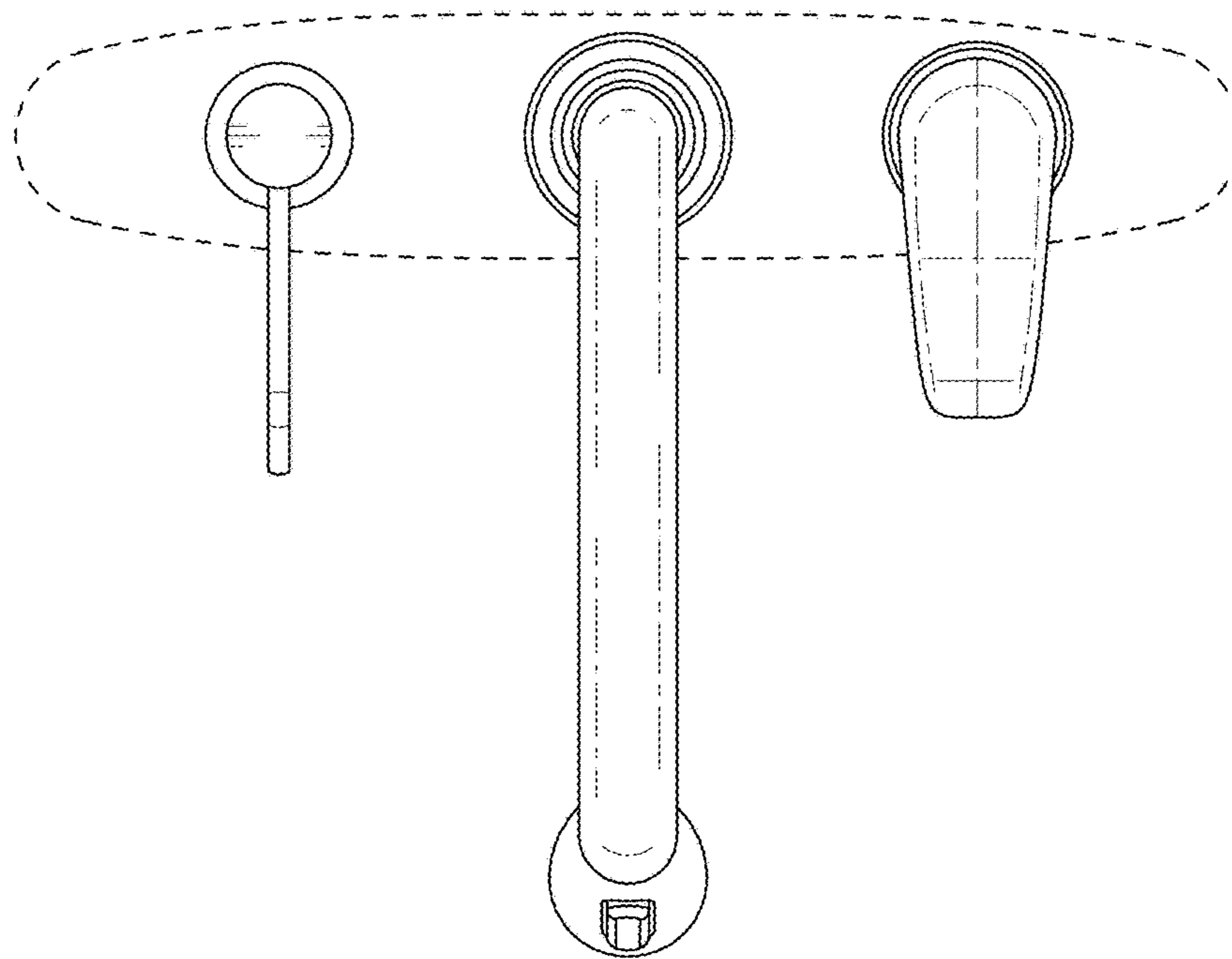


FIG. 3

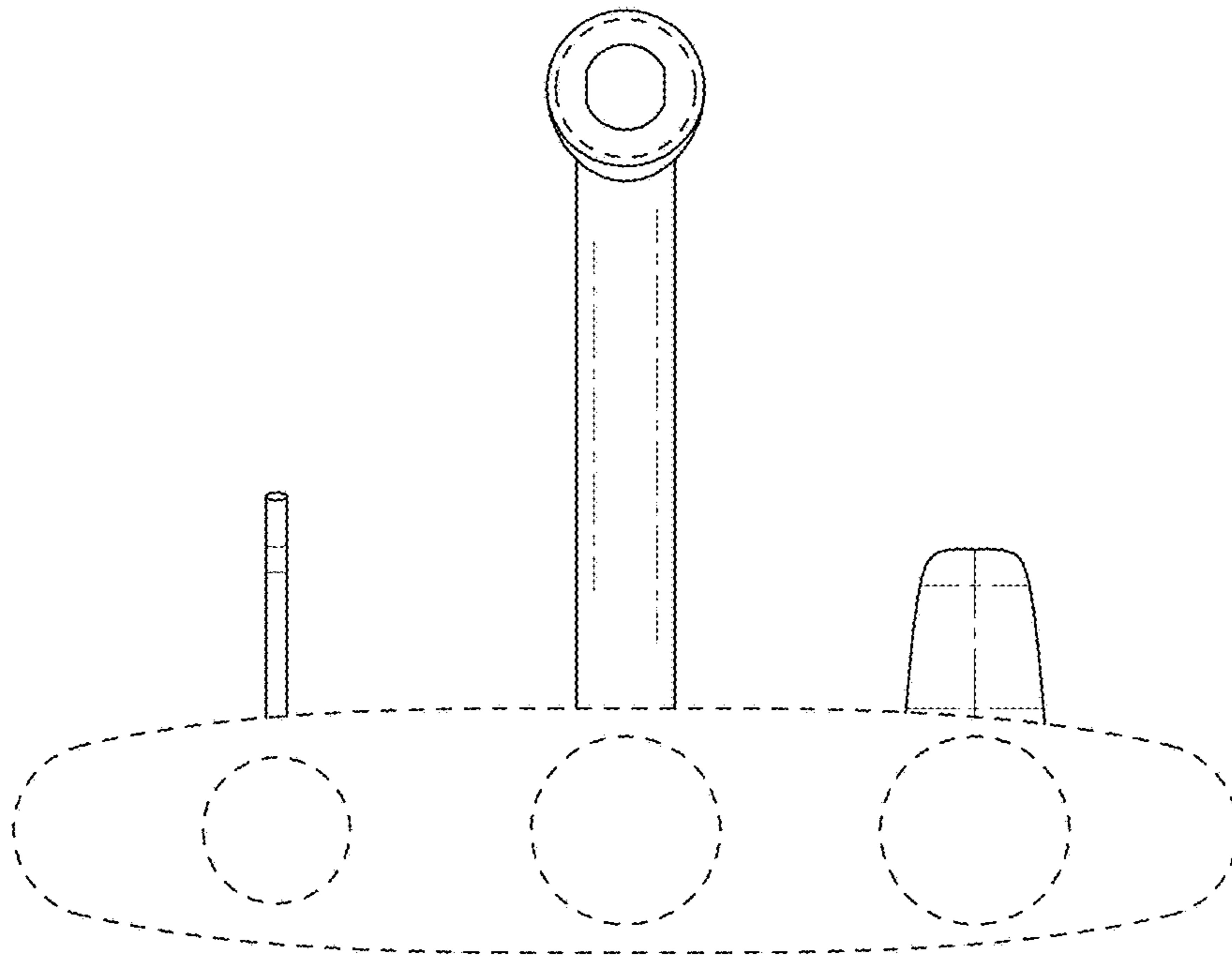


FIG. 4

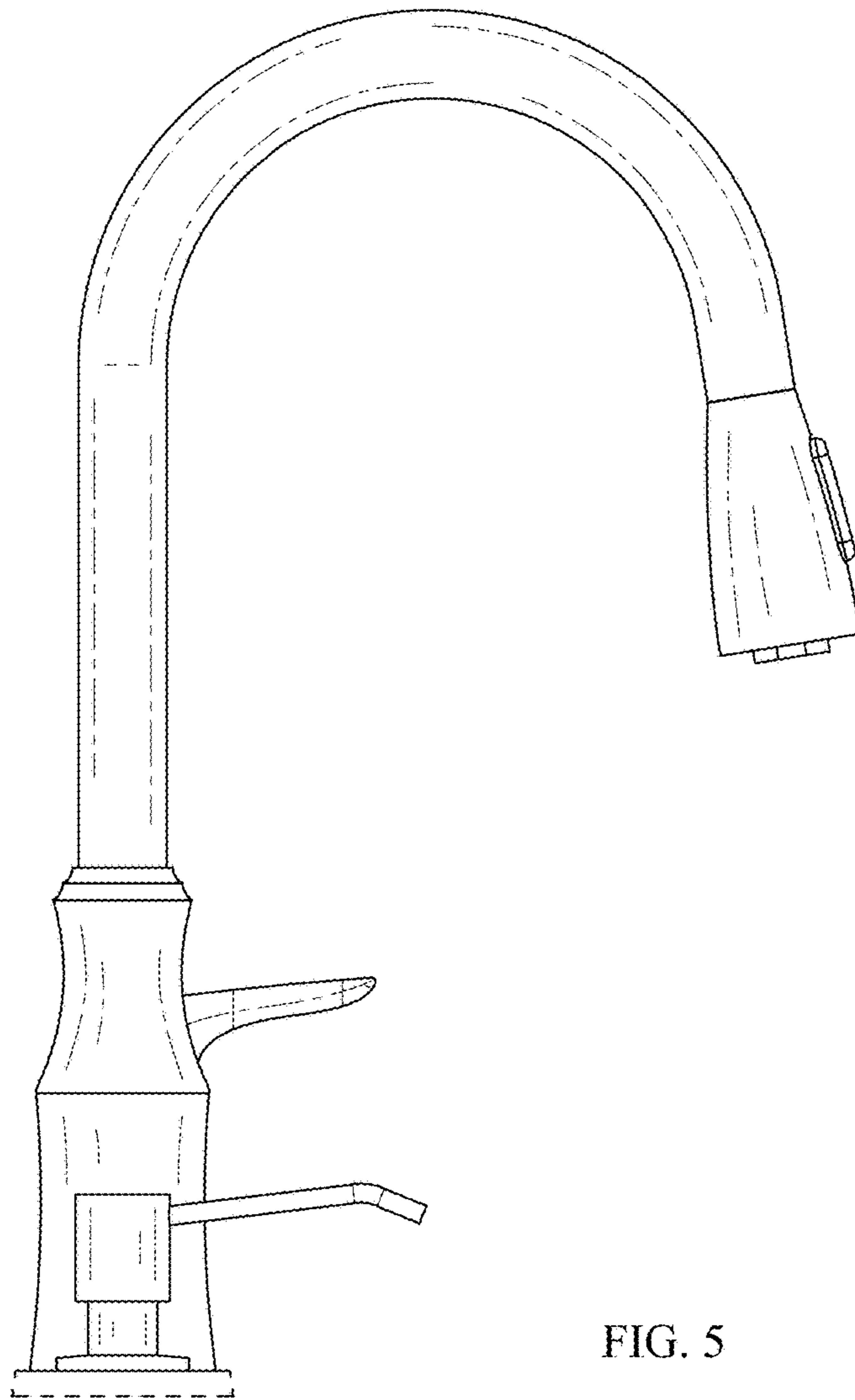


FIG. 5

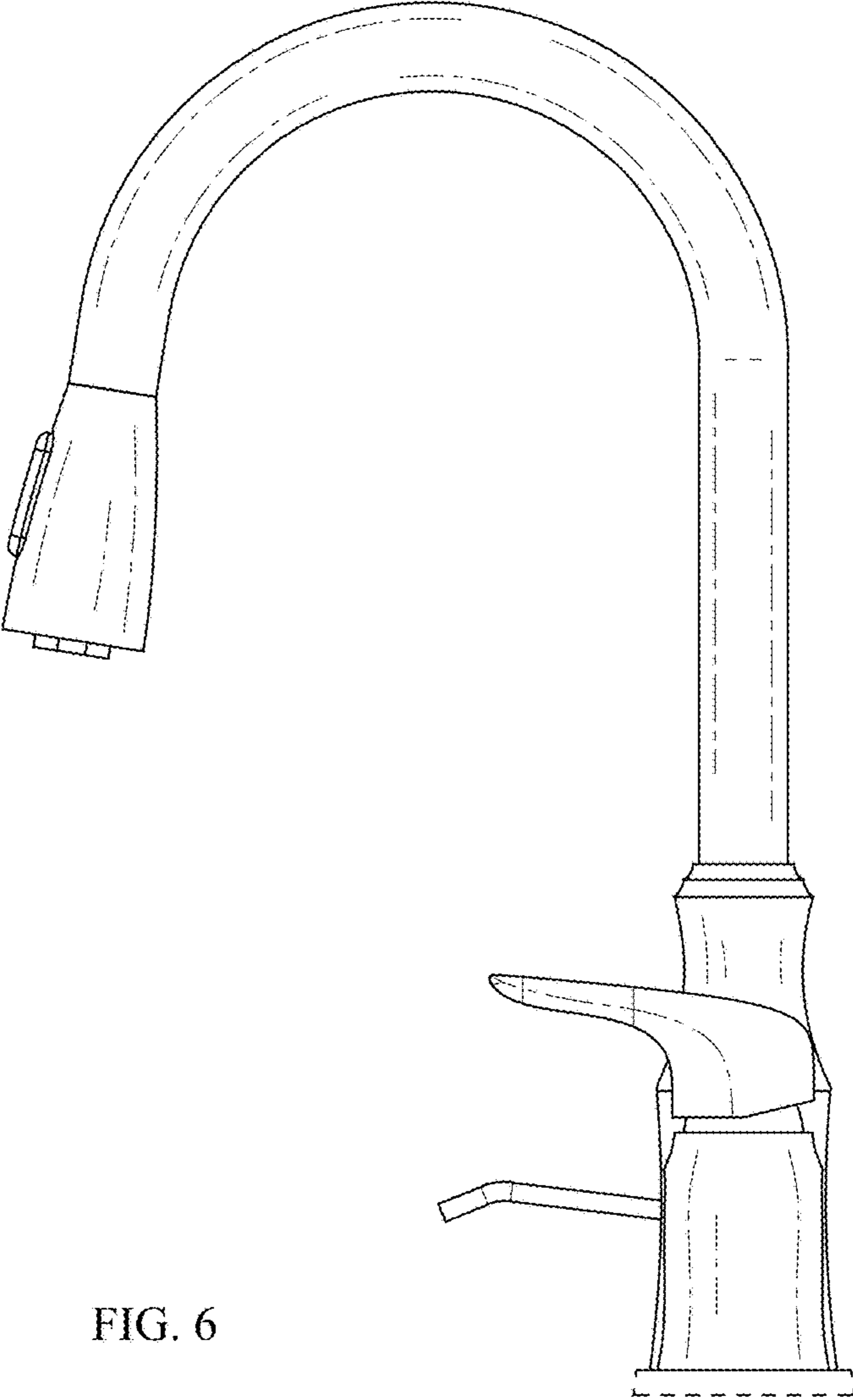


FIG. 6

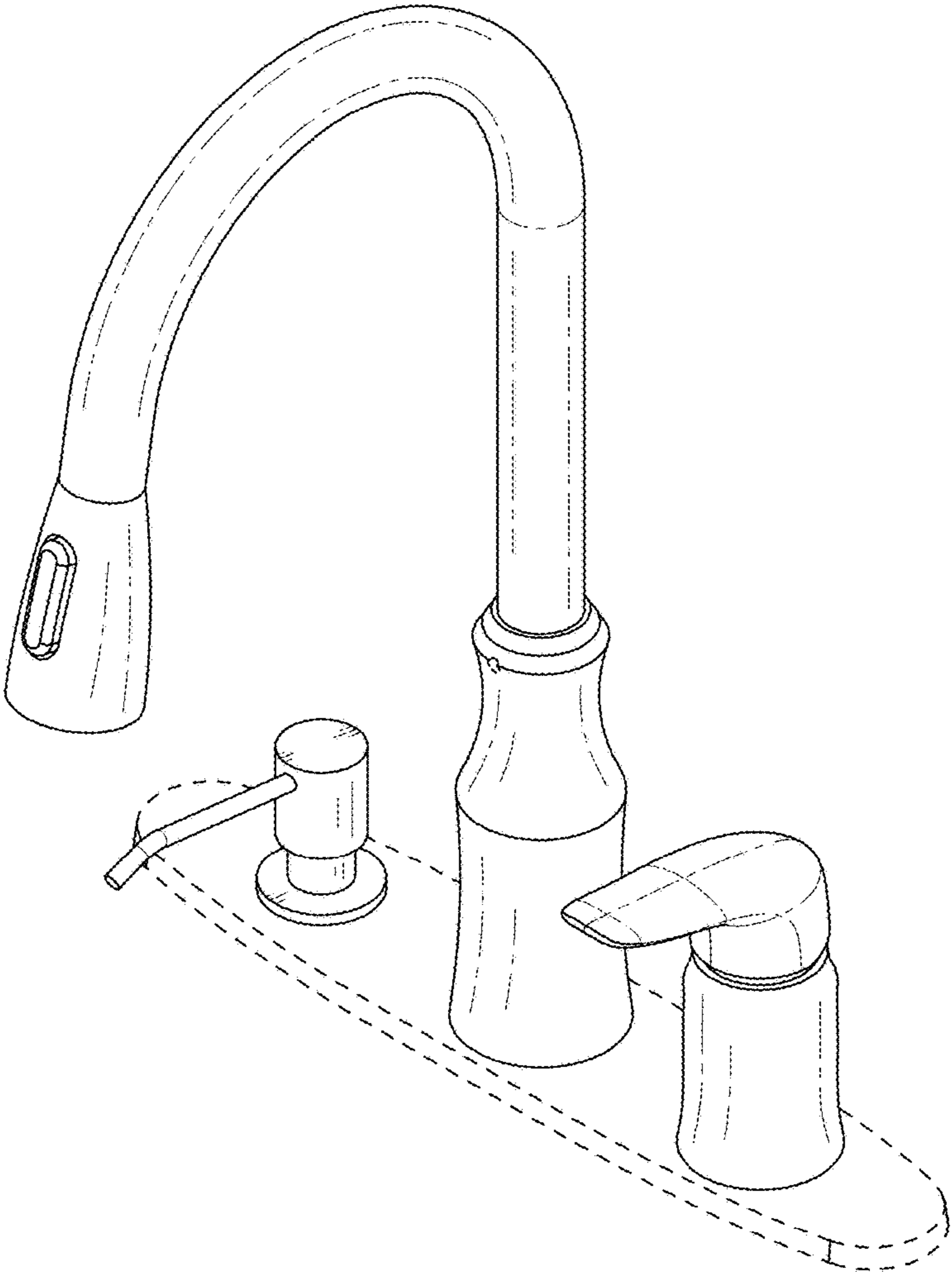


FIG. 7