



US00D862653S

(12) **United States Design Patent** (10) **Patent No.:** **US D862,653 S**
Wieser et al. (45) **Date of Patent:** **** Oct. 8, 2019**

(54) **LAVATORY FIXTURE WITH INTEGRATED FAUCET, SOAP DISPENSER, AND HAND DRYER**

(71) Applicant: **Bradley Fixtures Corporation**, Menomonee Falls, WI (US)

(72) Inventors: **Matthias Wieser**, Wendlingen (DE); **Pablo Bernal Ruesta**, Stuttgart (DE); **Alexander Hoffart**, Bindlach (DE); **Andreas Dimitriadis**, Lorch (DE)

(73) Assignee: **Bradley Fixtures Corporation**, Menomonee Falls, WI (US)

(**) Term: **15 Years**

(21) Appl. No.: **29/608,022**

(22) Filed: **Jun. 19, 2017**

Related U.S. Application Data

(62) Division of application No. 29/562,620, filed on Apr. 27, 2016, now abandoned.

(51) **LOC (12) Cl.** **23-01**

(52) **U.S. Cl.**
USPC **D23/240**

(58) **Field of Classification Search**
USPC D23/238-260, 277-279, 280.1, 280.2, D23/280.3, 280.4, 304-310; D8/301, 303
CPC A47K 3/006; A47K 3/02; A47K 3/022; E05C 9/16
See application file for complete search history.

(56) **References Cited**

U.S. PATENT DOCUMENTS

D310,866 S * 9/1990 Strignano D23/241
D340,179 S * 10/1993 Mirick D8/301
D384,266 S * 9/1997 Mantarakis D8/301
D467,784 S * 12/2002 Maier D8/301

D521,351 S * 5/2006 Alchin D8/301
D529,133 S * 9/2006 Massaud D23/238
D546,160 S * 7/2007 Reithmeyer D8/301
D551,534 S * 9/2007 Liang D8/301
D596,717 S * 7/2009 Jones D23/255
D626,815 S * 11/2010 Liang D8/301
D634,404 S * 3/2011 Thornton D23/238
D663,803 S * 7/2012 Tang D23/238
D678,032 S * 3/2013 Coplan D8/301
D768,824 S * 10/2016 Murray D23/238
D785,759 S * 5/2017 Murray D23/238
D785,760 S * 5/2017 Murray D23/238
D785,761 S * 5/2017 Murray D23/238
D820,404 S * 6/2018 Wieser D23/239

(Continued)

OTHER PUBLICATIONS

Bradley Fixtures Washbar found online [Mar. 8, 2018]—<http://info.bradleycorp.com/washbar>.*

Primary Examiner — Lakiya G Rogers

Assistant Examiner — John A Voytek

(74) *Attorney, Agent, or Firm* — Boyle Fredrickson, S.C.

(57) **CLAIM**

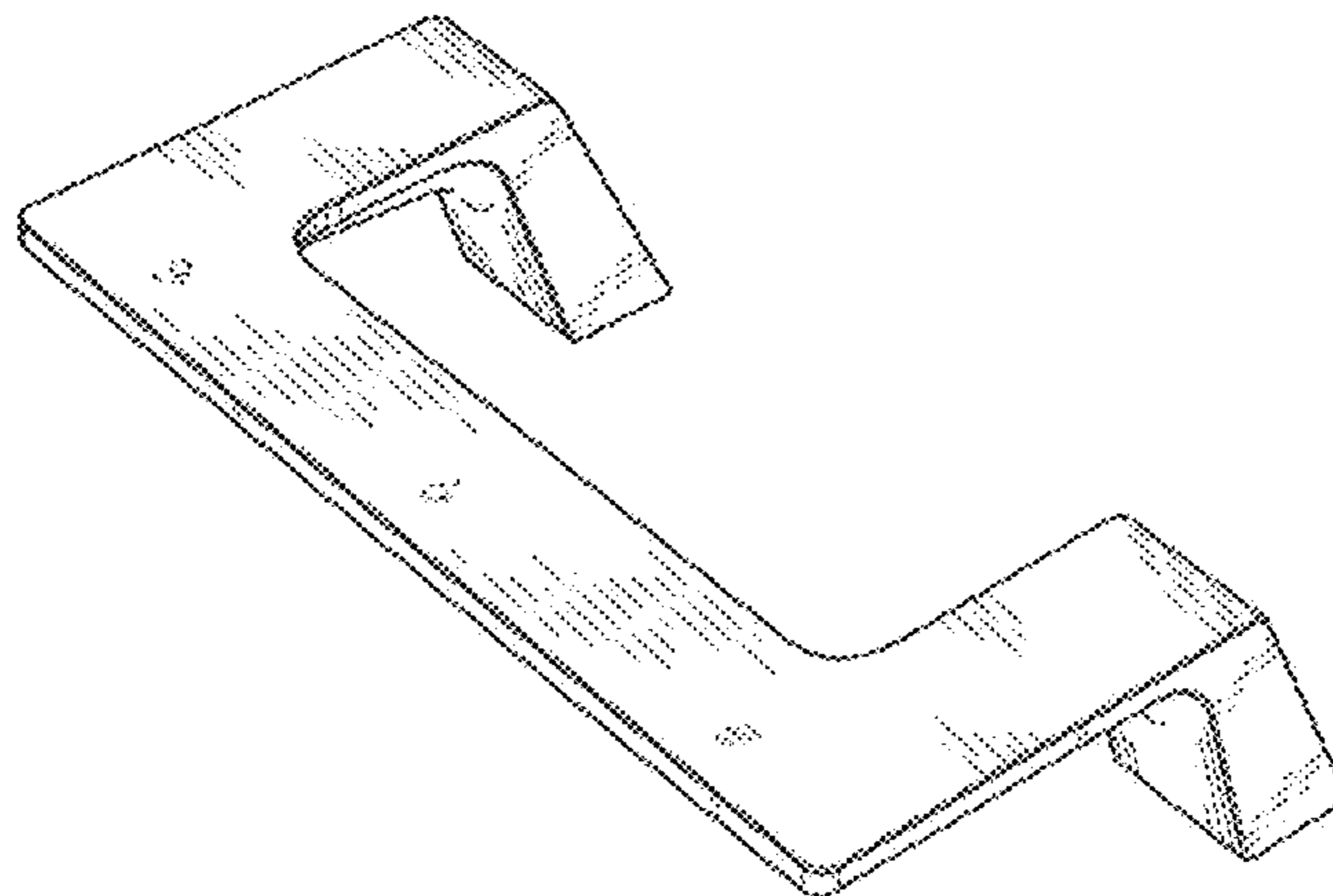
The ornamental design for a lavatory fixture with integrated faucet, soap dispenser, and hand dryer, substantially, as shown and described.

DESCRIPTION

FIG. 1 is a raised perspective view of a lavatory fixture with a faucet, soap dispenser, and hand dryer all-in-one; FIG. 2 is a top view of the lavatory fixture shown in FIG. 1; FIG. 3 is a front view of the lavatory fixture shown in FIG. 1; and, FIG. 4 is a side view of the lavatory fixture shown in FIG. 1.

Any broken lines represent environmental structure and form no part of the claimed design.

1 Claim, 2 Drawing Sheets



(56)

References Cited

U.S. PATENT DOCUMENTS

D820,408 S * 6/2018 Murray D23/240
D823,997 S * 7/2018 Murray D23/308

* cited by examiner

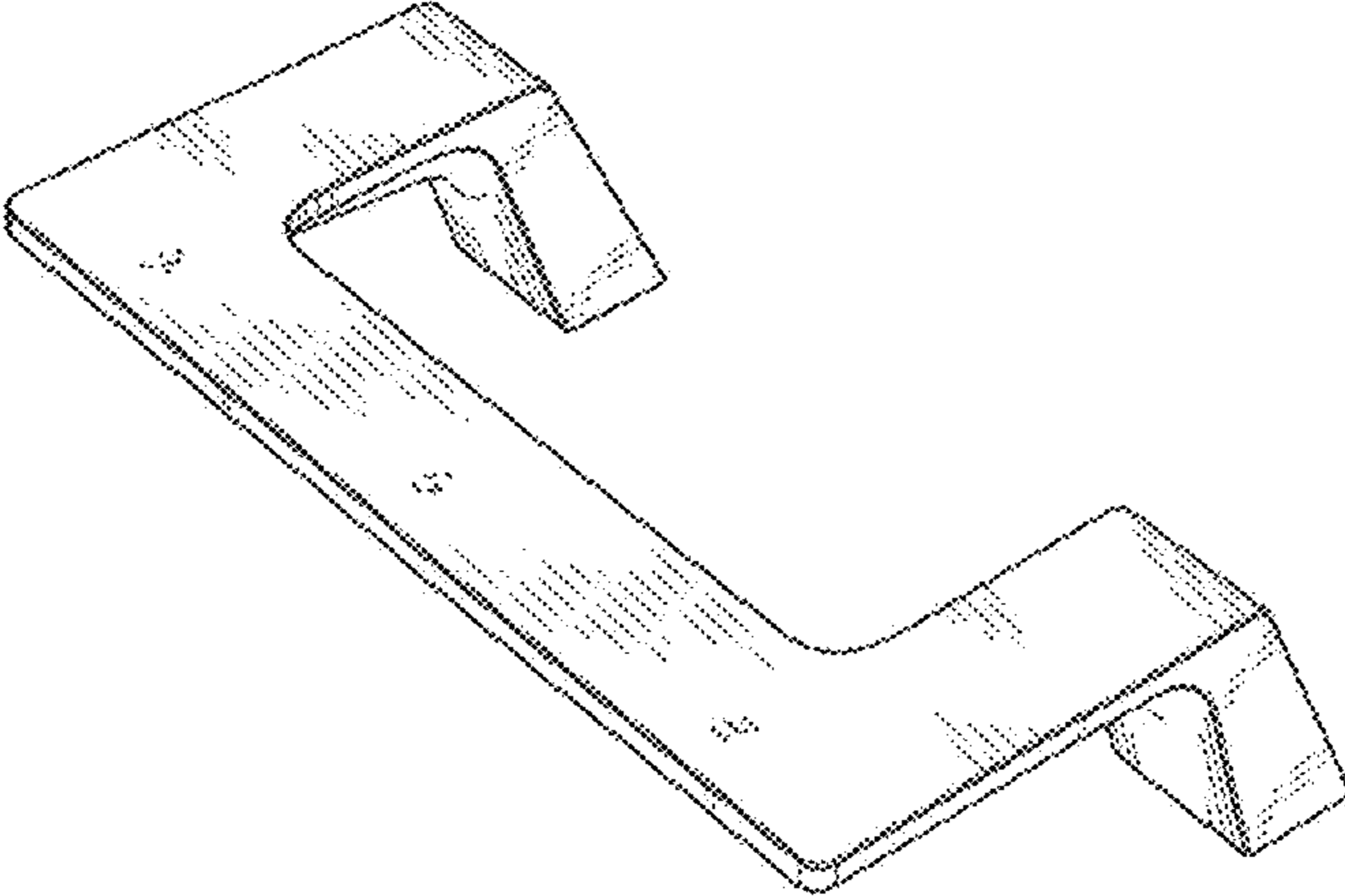


FIG. 1

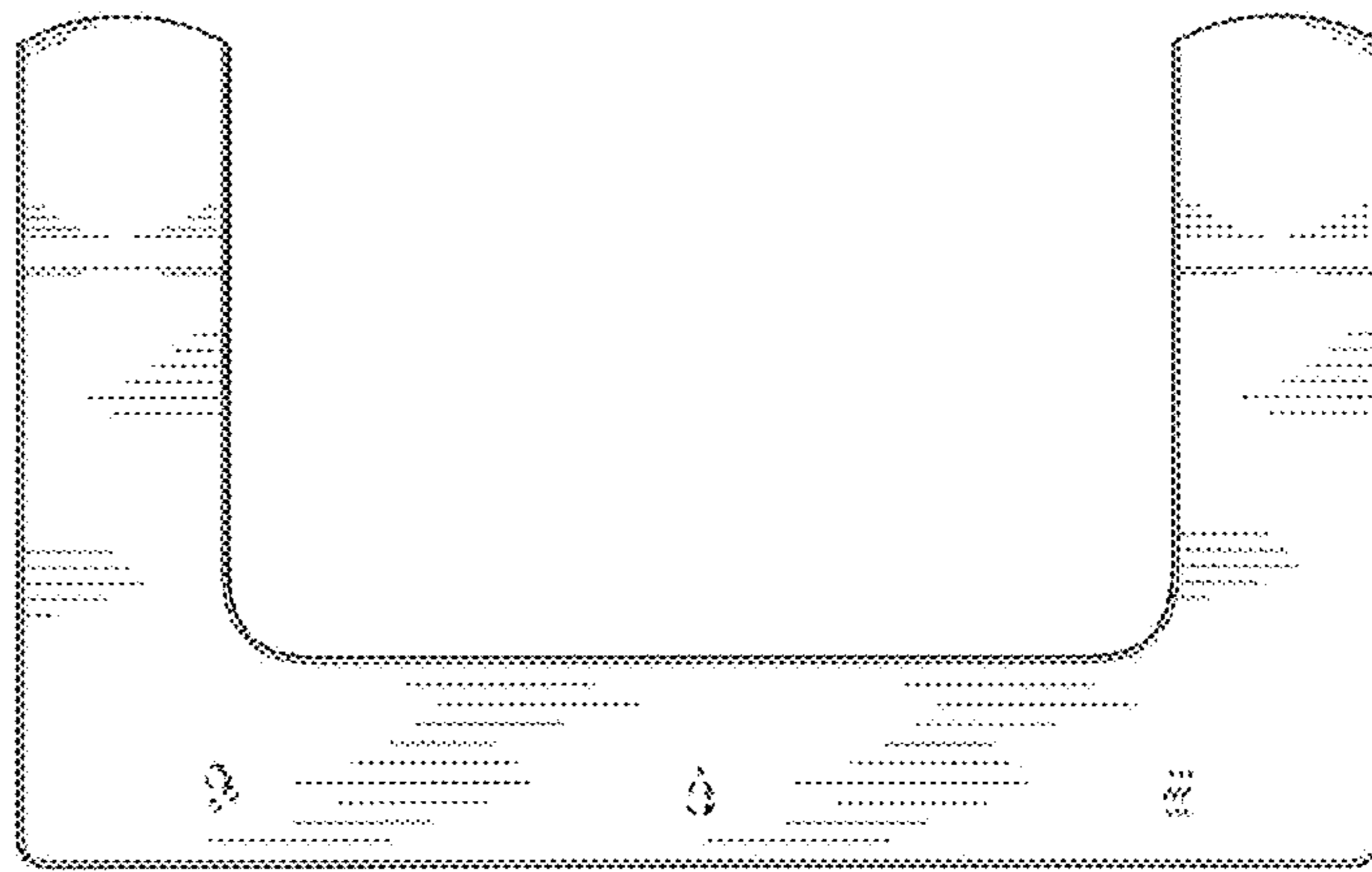


FIG. 2



FIG. 3

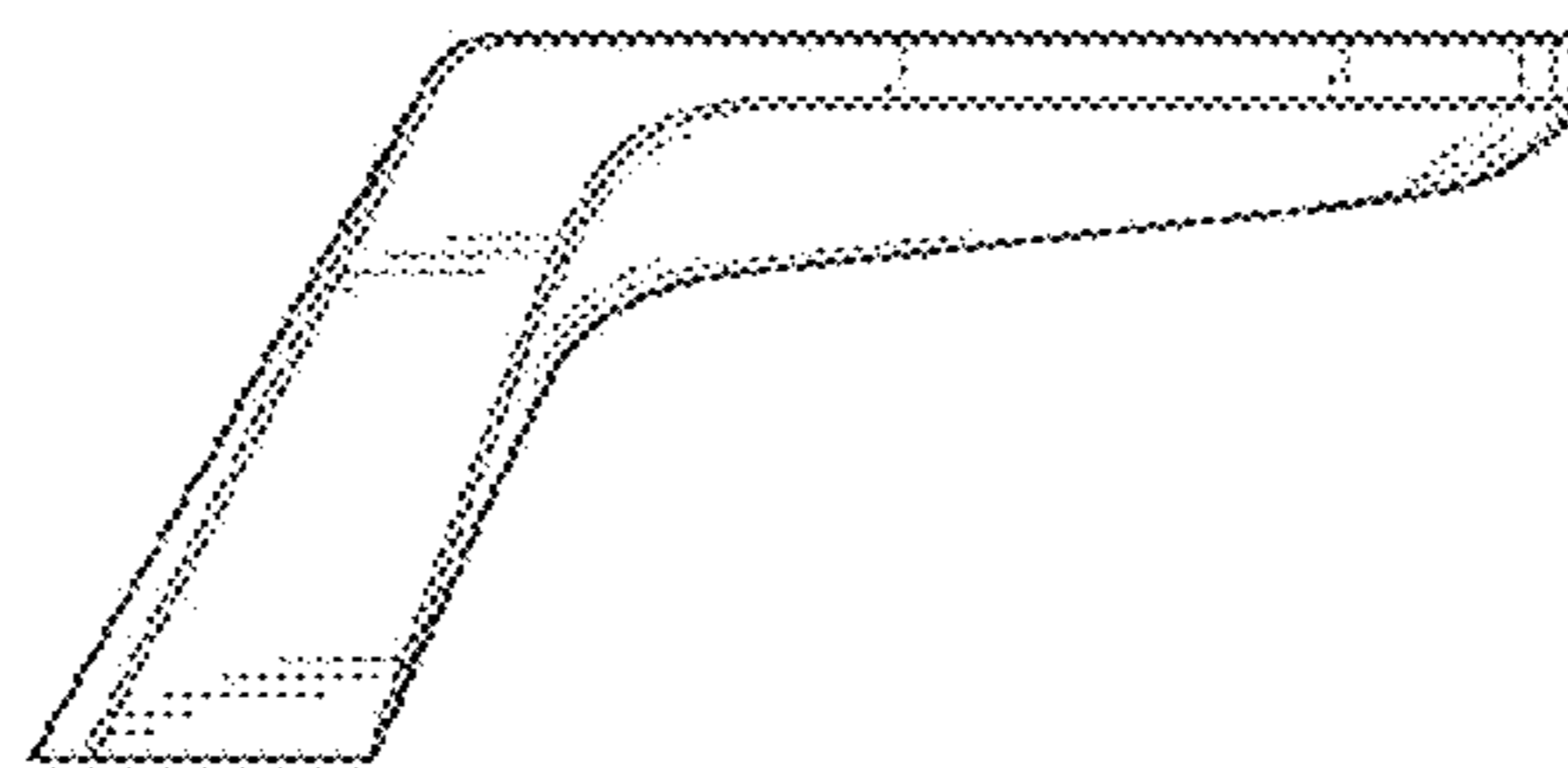


FIG. 4