

US00D862652S

(12) **United States Design Patent** (10) **Patent No.:** **US D862,652 S**
Zeng (45) **Date of Patent:** **** Oct. 8, 2019**

(54) **FAUCET** D539,871 S * 4/2007 Hanna D23/238
D550,330 S * 9/2007 Mullenmeister D23/238
D646,761 S * 10/2011 Sedwick D23/255

(71) Applicant: **Foshan Shunde Yajiasi Kitchen Cabinet Co., Ltd.**, Foshan (Guangdong Province) (CN)

* cited by examiner

(72) Inventor: **Deju Zeng**, Foshan (CN)

Primary Examiner — Robert A Delehanty
(74) *Attorney, Agent, or Firm* — Yong Chen

(73) Assignee: **Foshan Shunde Yajiasi Kitchen Cabinet Co., Ltd.**, Foshan (CN)

(**) Term: **15 Years**

(57) **CLAIM**

(21) Appl. No.: **29/653,406**

The ornamental design for a faucet, as shown and described.

(22) Filed: **Jun. 14, 2018**

(51) **LOC (12) Cl.** **23-01**

DESCRIPTION

(52) **U.S. Cl.**

USPC **D23/238**

(58) **Field of Classification Search**

USPC D23/238–243, 249, 255, 257, 250, 252,
D23/254, 213, 223, 226; D8/307–308

CPC E03C 1/0412

See application file for complete search history.

FIG. 1 is a front view of a faucet of the present invention.
FIG. 2 is a back view thereof.
FIG. 3 is a top view thereof.
FIG. 4 is a bottom view thereof.
FIG. 5 is a left view thereof.
FIG. 6 is a right view thereof; and,
FIG. 7 is a perspective view thereof.

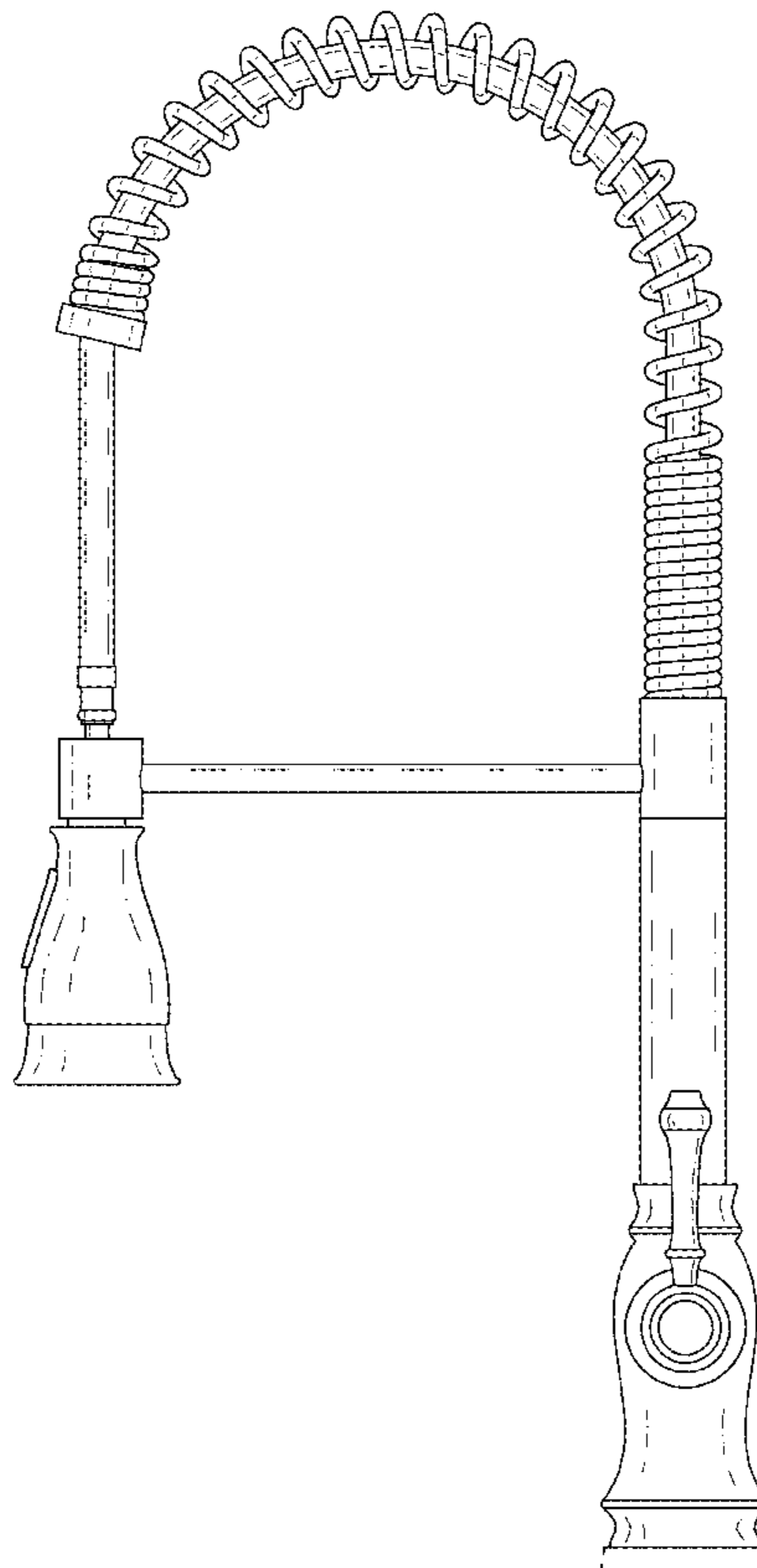
The broken line showing of certain portions of the faucet is included for the purpose of illustration only and forms no part of the claimed design.

(56) **References Cited**

U.S. PATENT DOCUMENTS

D434,473 S * 11/2000 Spangler D23/249
D534,620 S * 1/2007 Zhou D23/238

1 Claim, 7 Drawing Sheets



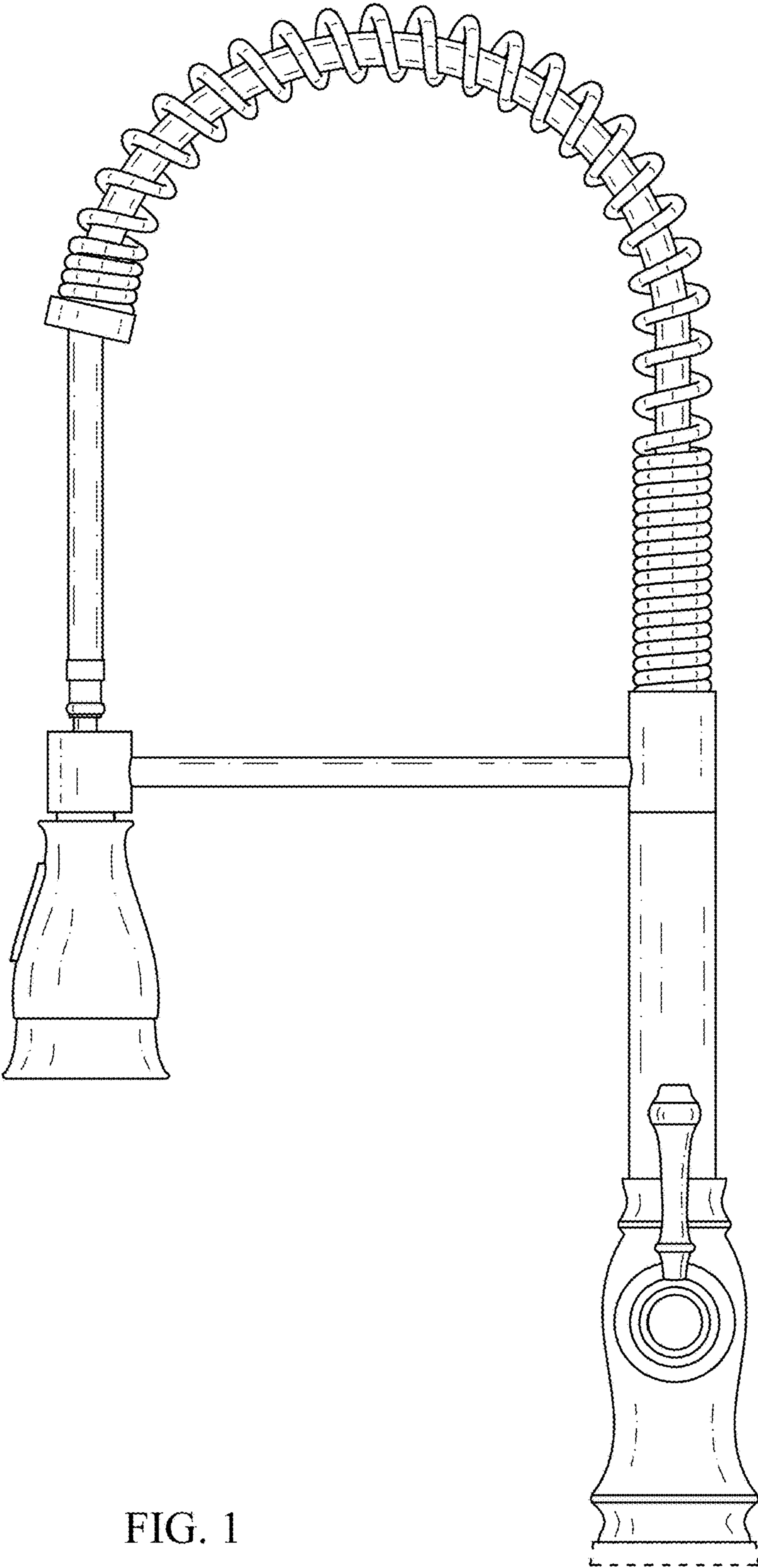


FIG. 1

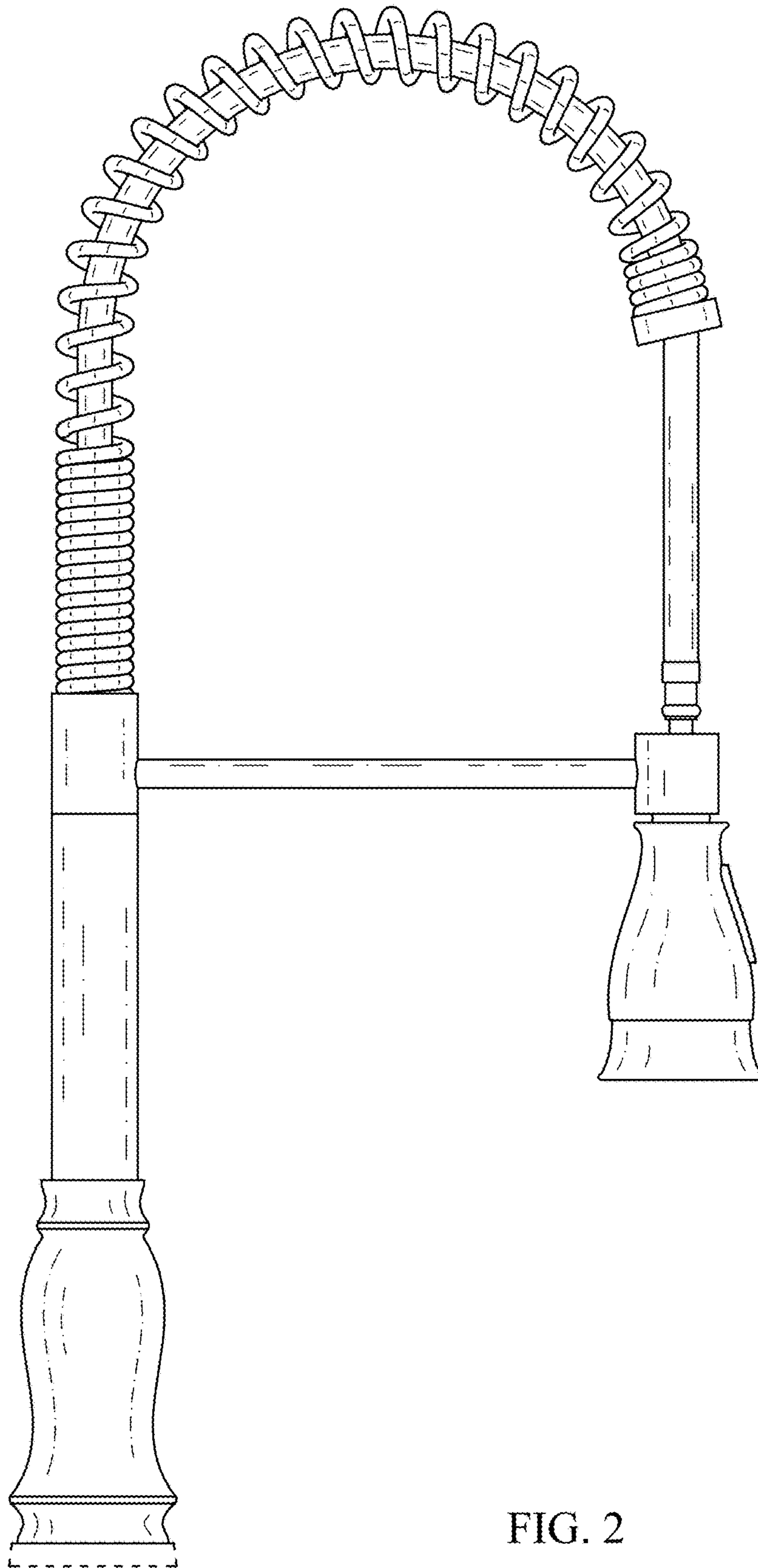


FIG. 2

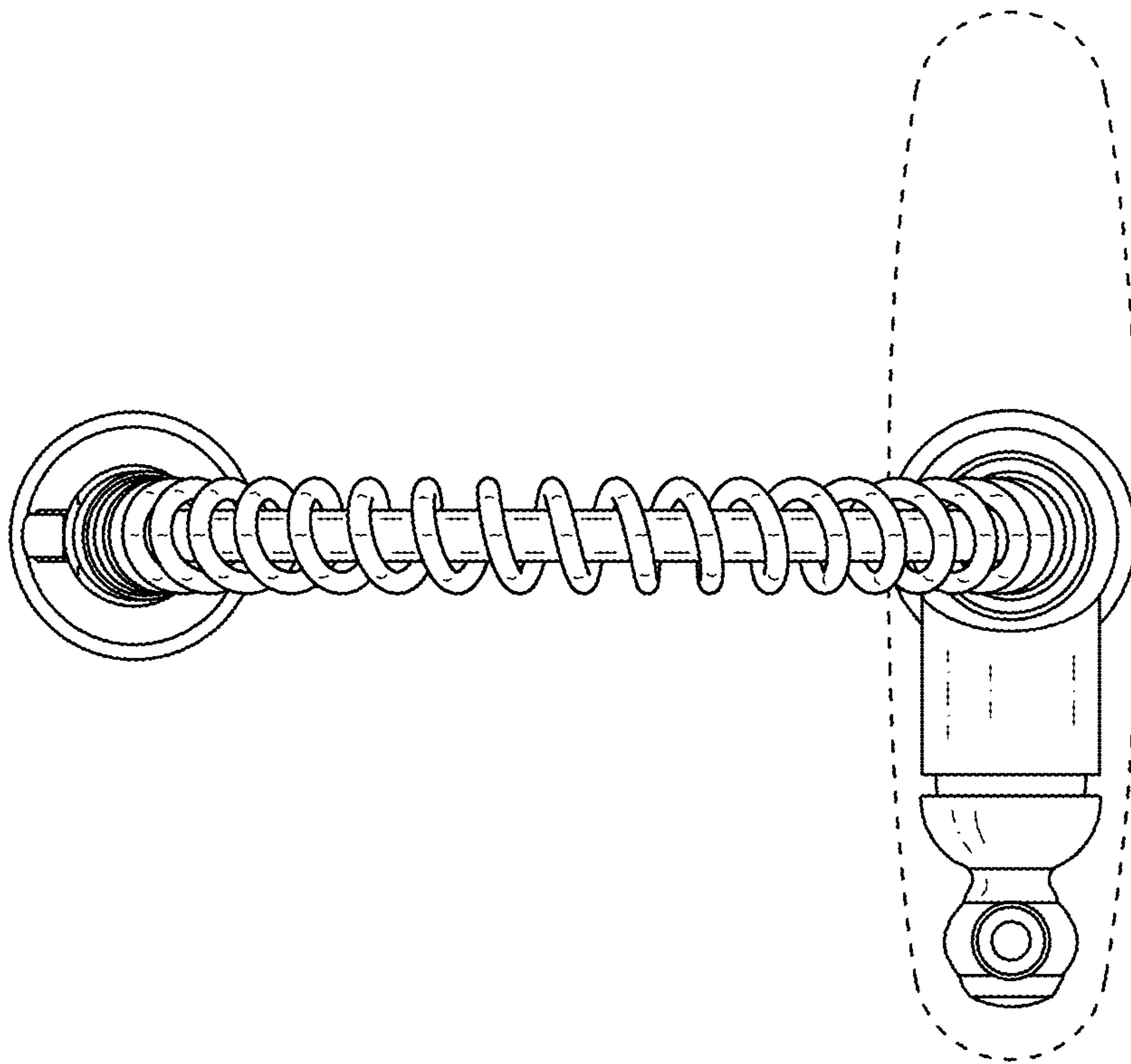


FIG. 3

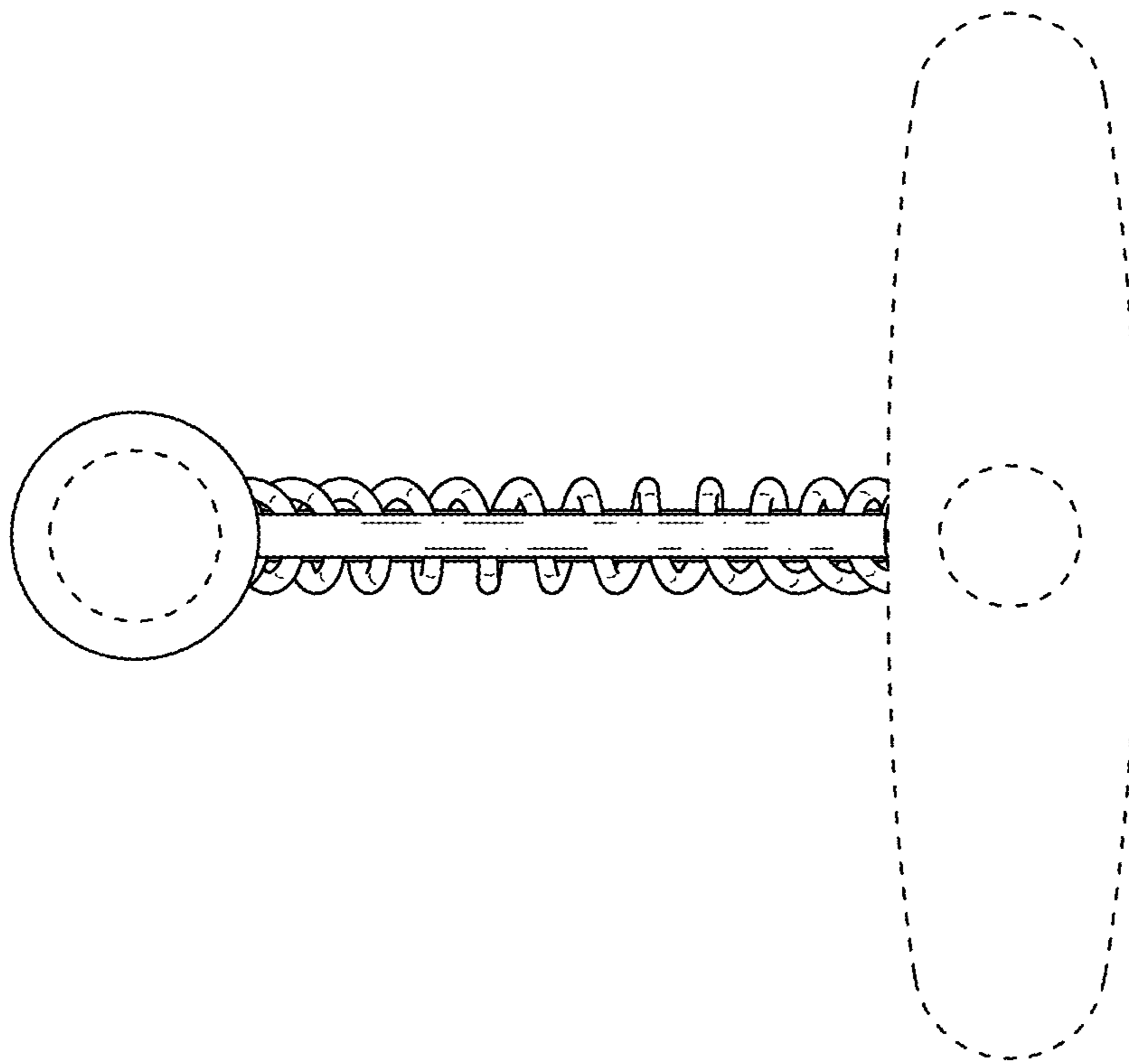


FIG. 4

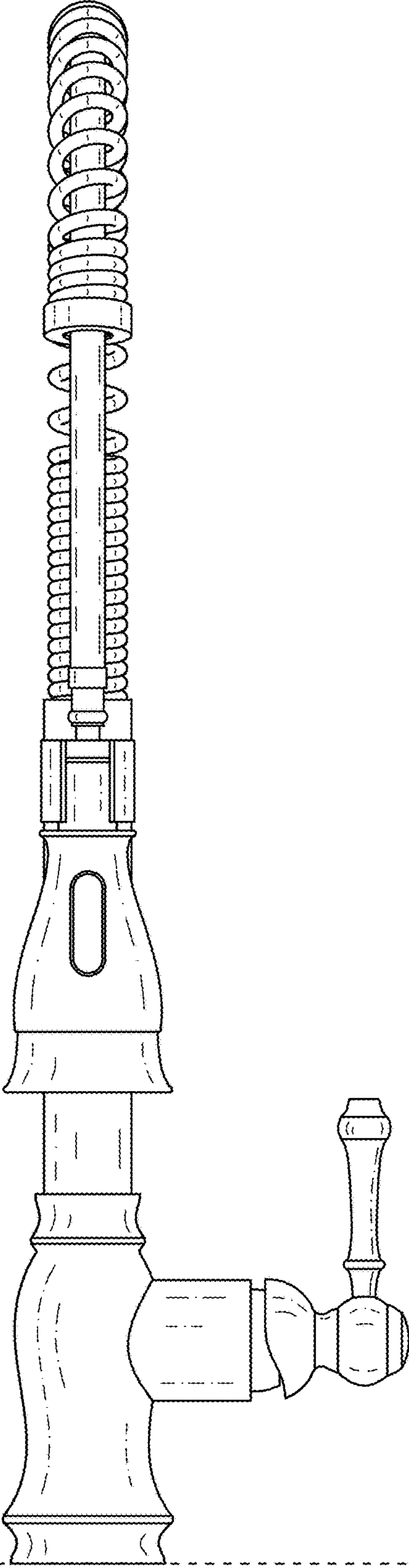


FIG. 5

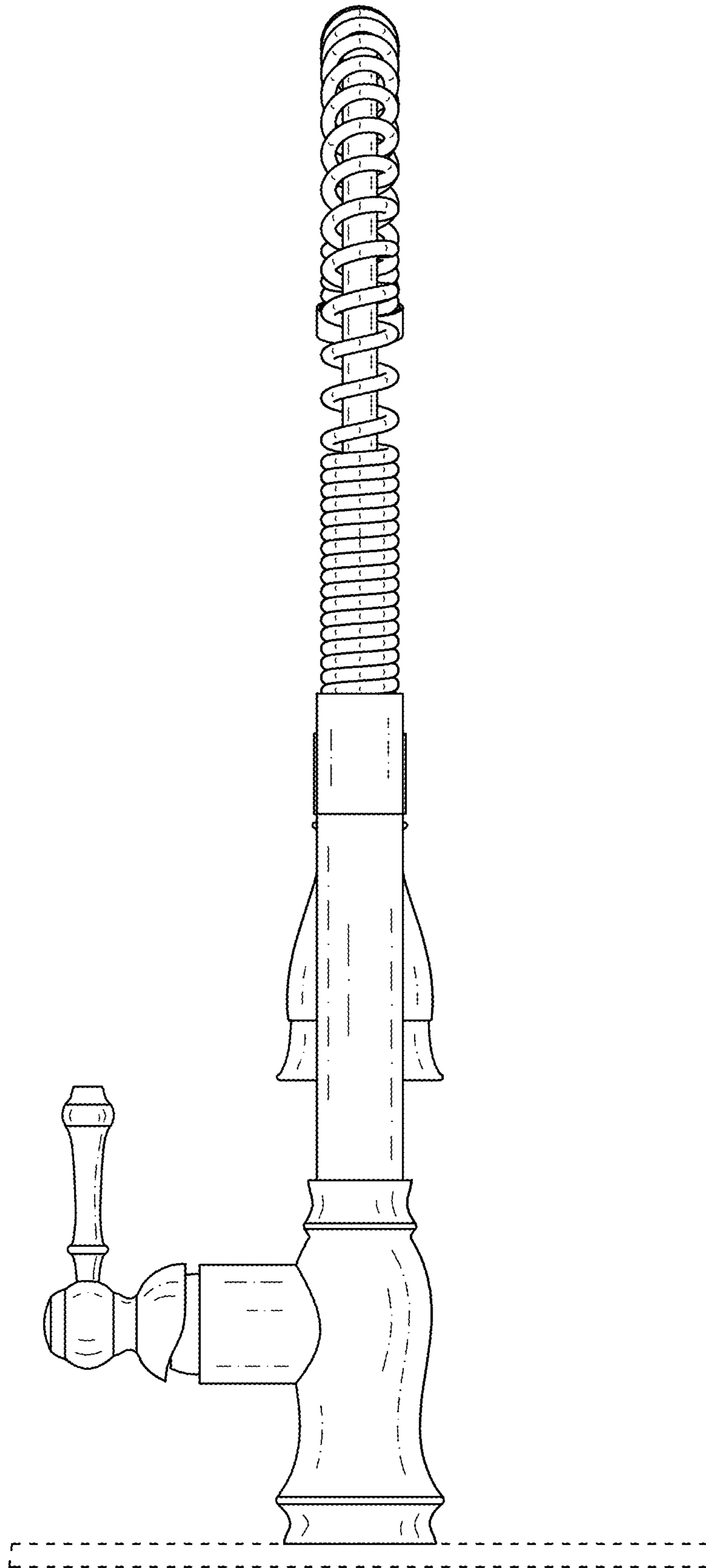


FIG. 6

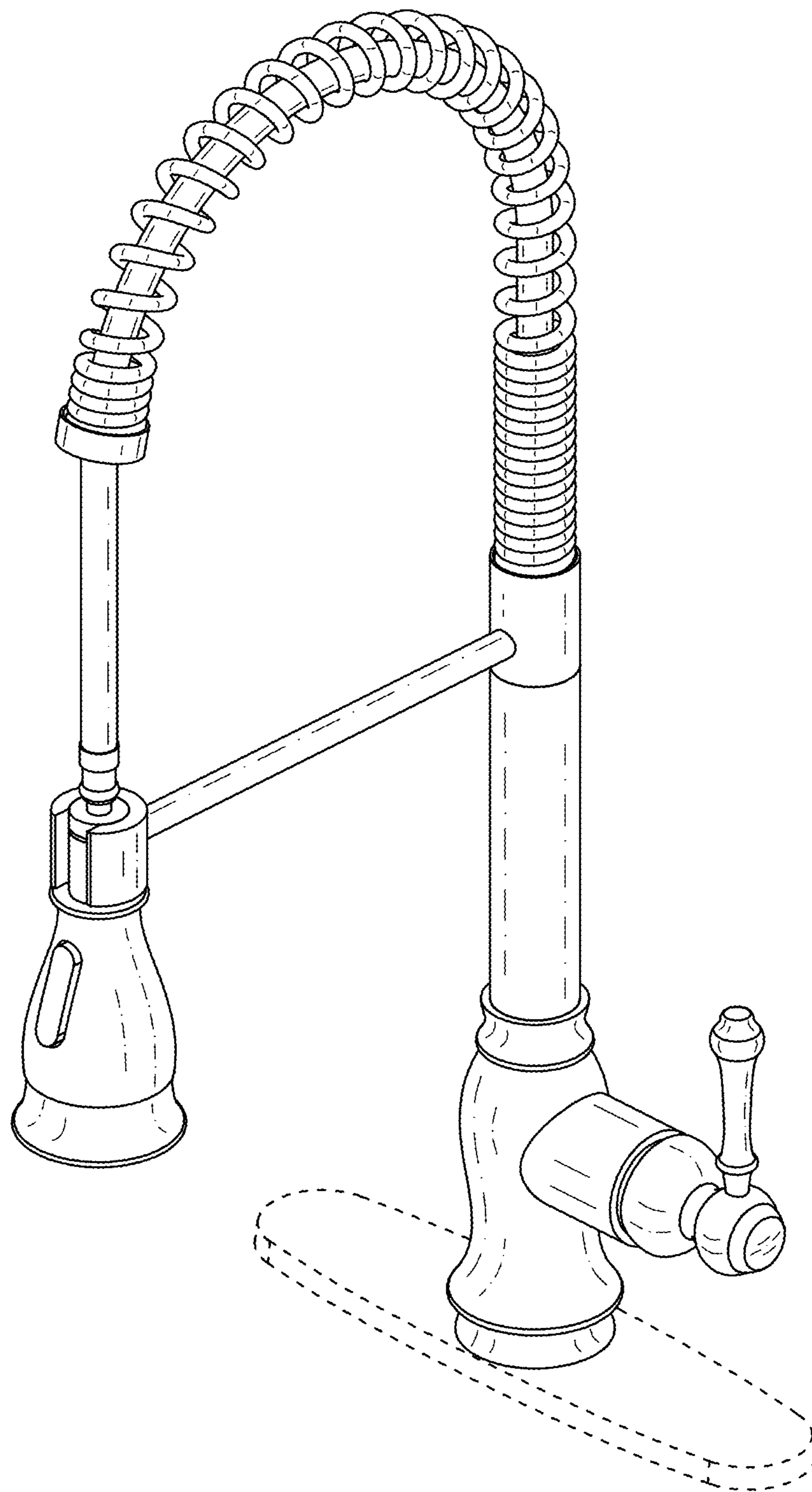


FIG. 7