

US00D862651S

(12) **United States Design Patent**  
**Zeng**

(10) **Patent No.:** **US D862,651 S**

(45) **Date of Patent:** **\*\* Oct. 8, 2019**

(54) **FAUCET**

D820,401 S \* 6/2018 Zeng ..... D23/238  
D828,907 S \* 9/2018 Ceng ..... D23/238

(71) Applicant: **Foshan Shunde Yajiasi Kitchen Cabinet Co., Ltd.**, Foshan (Guangdong Province) (CN)

\* cited by examiner

*Primary Examiner* — Robert A Delehanty

(72) Inventor: **Deju Zeng**, Foshan (CN)

(74) *Attorney, Agent, or Firm* — Yong Chen

(73) Assignee: **Foshan Shunde Yajiasi Kitchen Cabinet Co., Ltd.**, Foshan (CN)

(\*\*) Term: **15 Years**

(21) Appl. No.: **29/653,400**

(22) Filed: **Jun. 14, 2018**

(51) **LOC (12) Cl.** ..... **23-01**

(52) **U.S. Cl.**  
USPC ..... **D23/238**

(58) **Field of Classification Search**  
USPC ..... D23/238–243, 249, 255, 257, 250, 252,  
D23/254, 213, 223, 226; D8/307–308  
CPC ..... E03C 1/0412  
See application file for complete search history.

(56) **References Cited**

U.S. PATENT DOCUMENTS

D646,761 S \* 10/2011 Sedwick ..... D23/255  
D757,905 S \* 5/2016 Rexach ..... D23/238

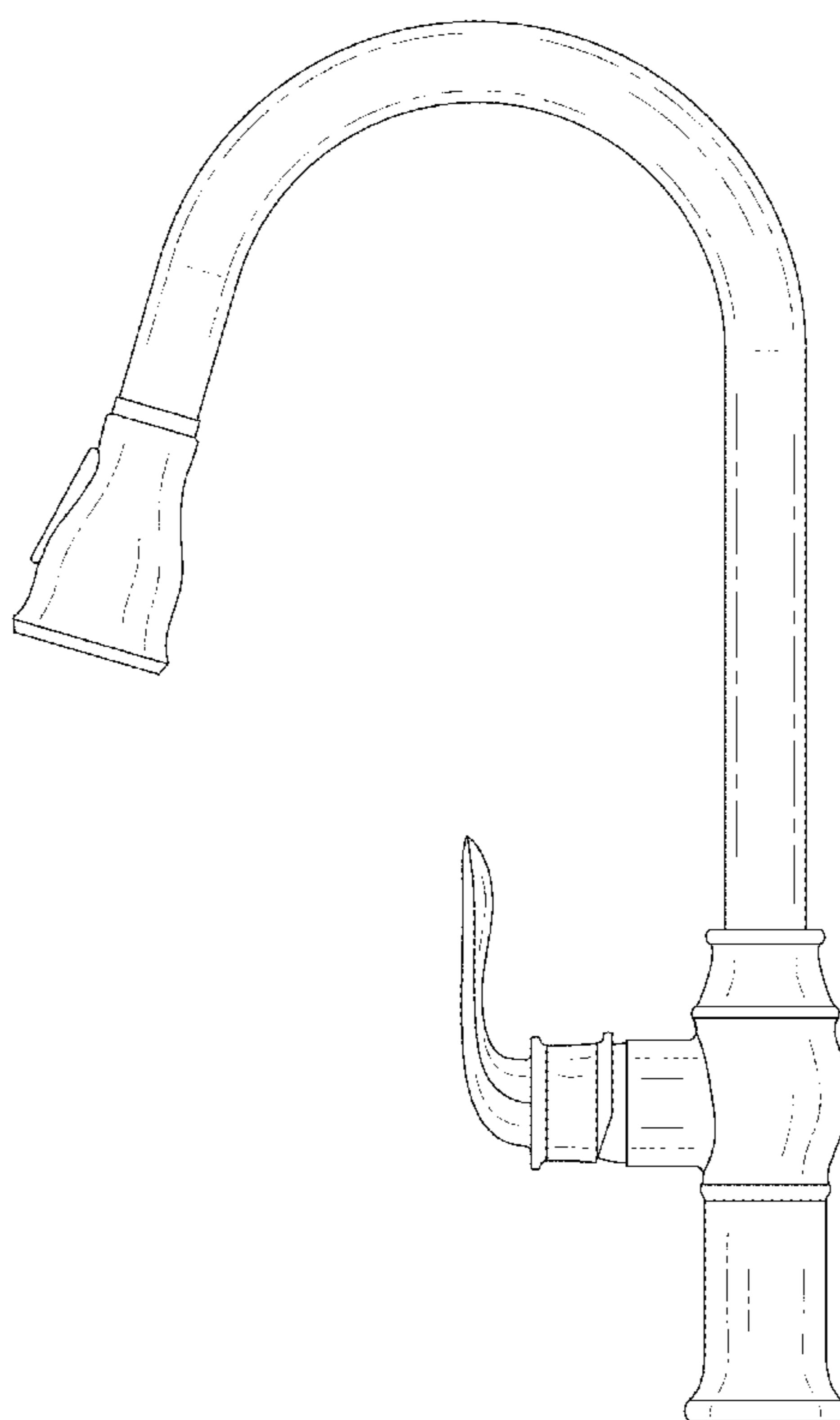
(57) **CLAIM**

The ornamental design for a faucet, as shown and described.

**DESCRIPTION**

FIG. 1 is a front view of a faucet of the present invention.  
FIG. 2 is a back view thereof.  
FIG. 3 is a top view thereof.  
FIG. 4 is a bottom view thereof.  
FIG. 5 is a left view thereof.  
FIG. 6 is a right view thereof; and,  
FIG. 7 is a perspective view thereof.  
The broken line showing of certain portions of the faucet is included for the purpose of illustration only and forms no part of the claimed design.

**1 Claim, 7 Drawing Sheets**



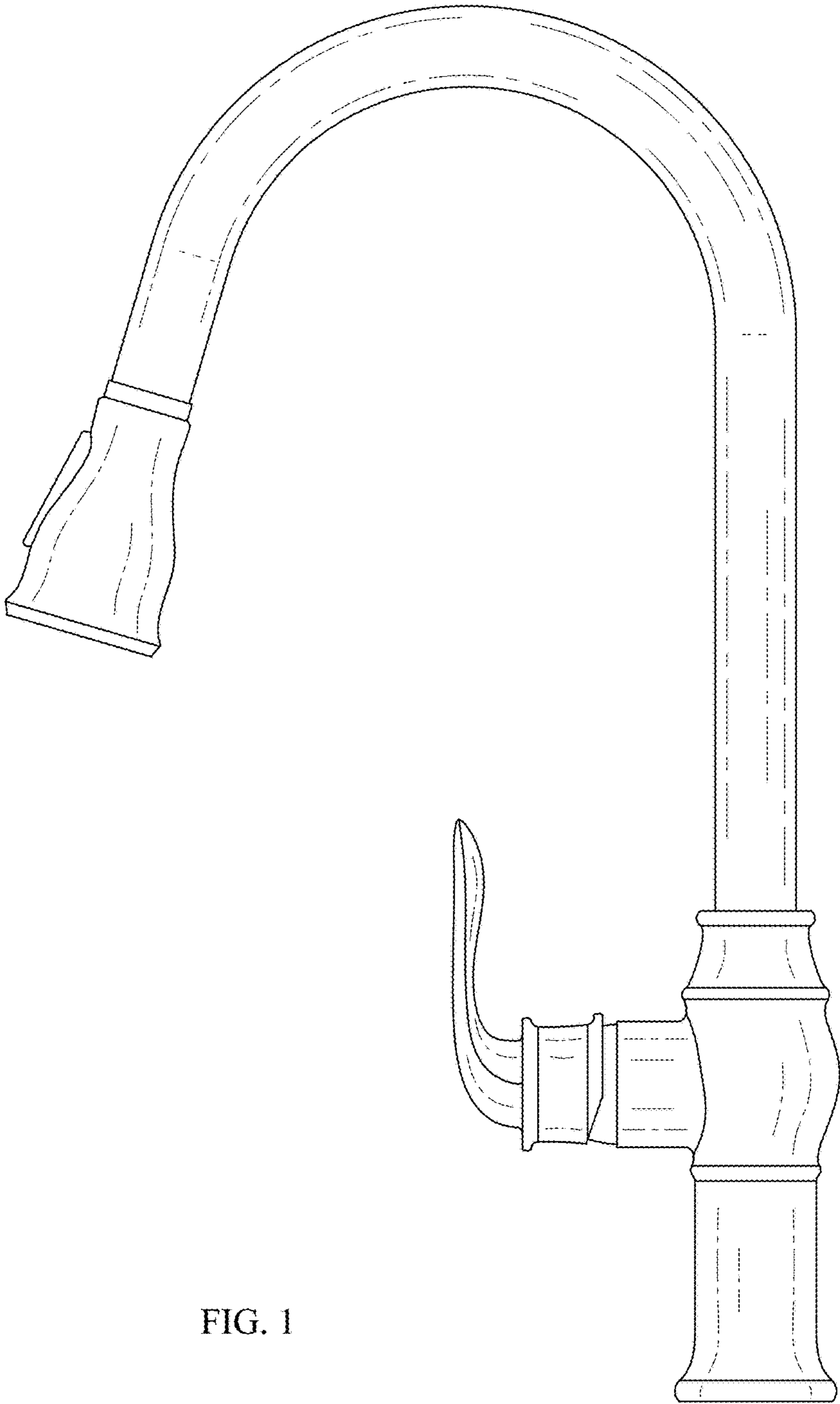


FIG. 1

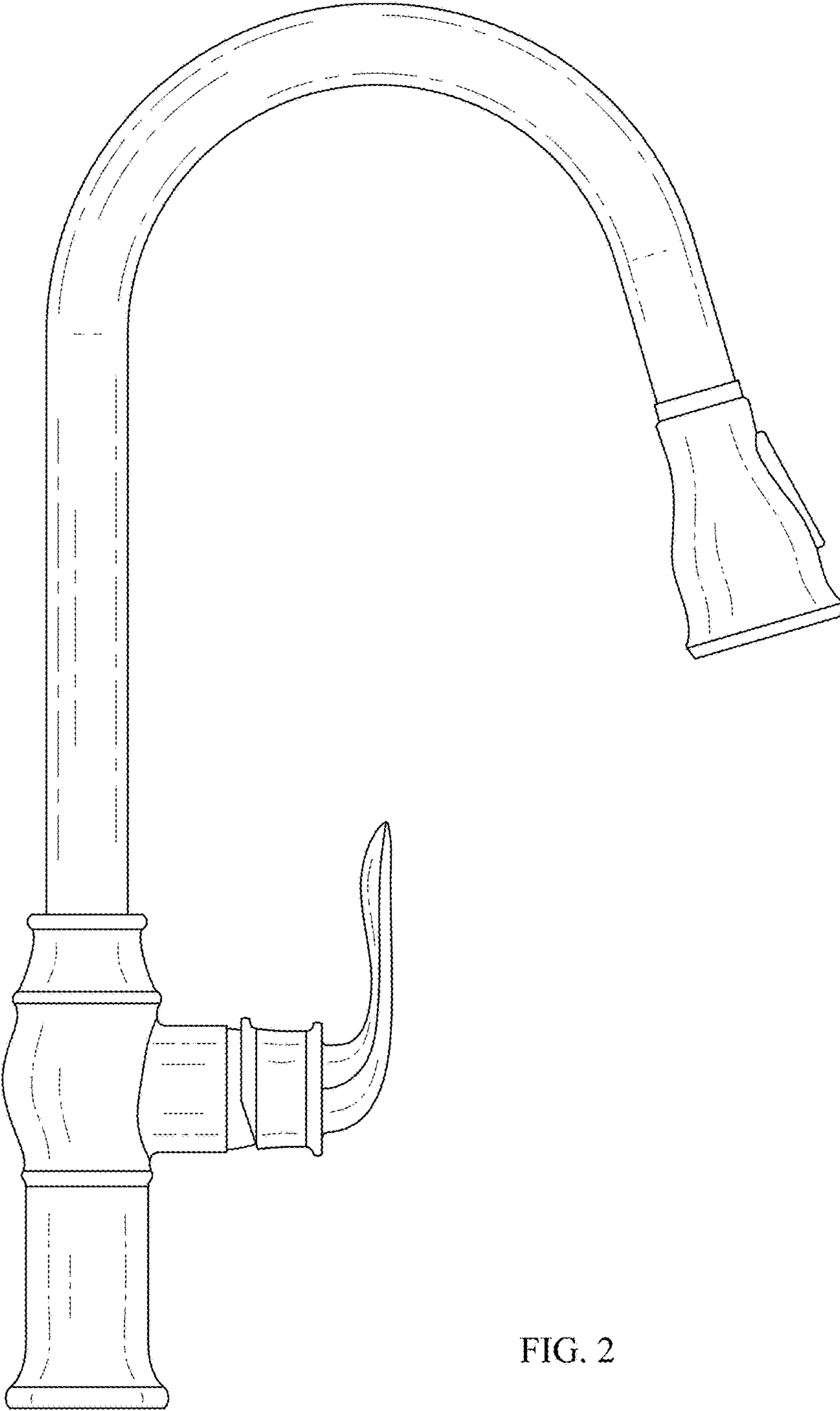


FIG. 2

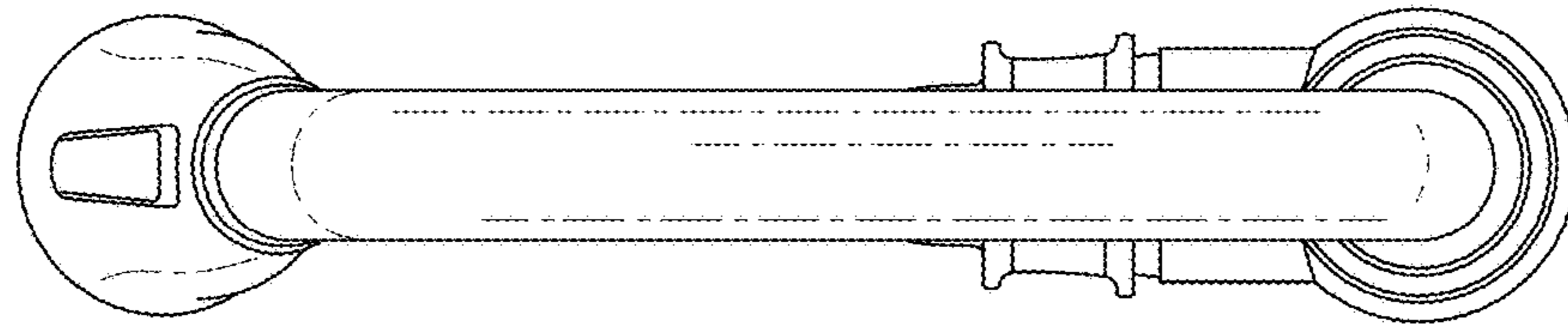


FIG. 3

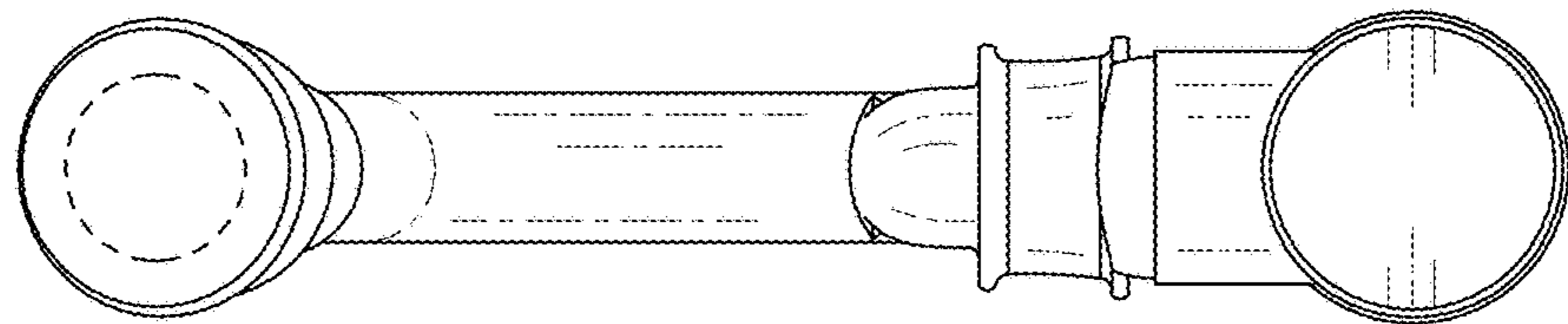


FIG. 4

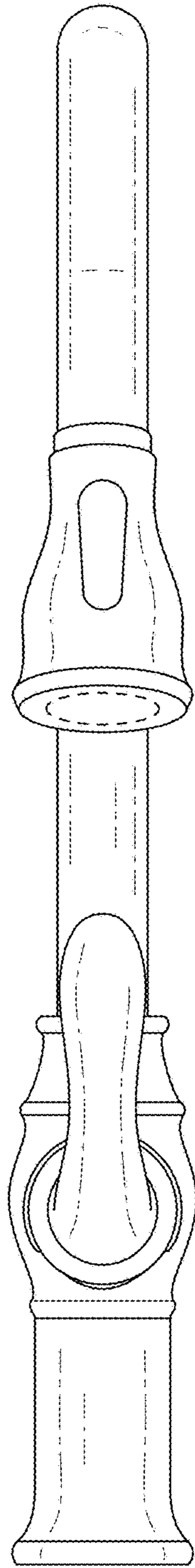


FIG. 5

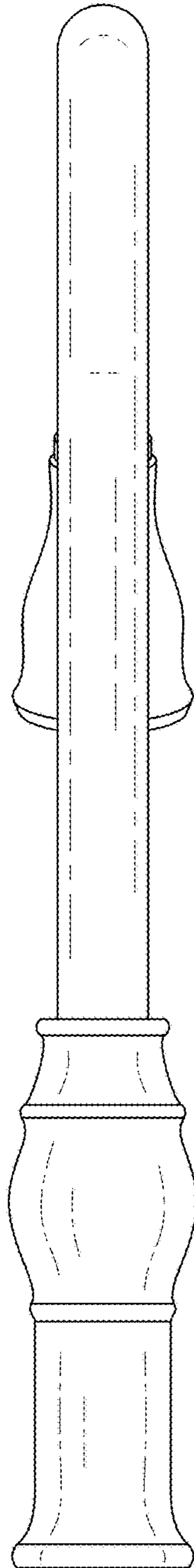


FIG. 6

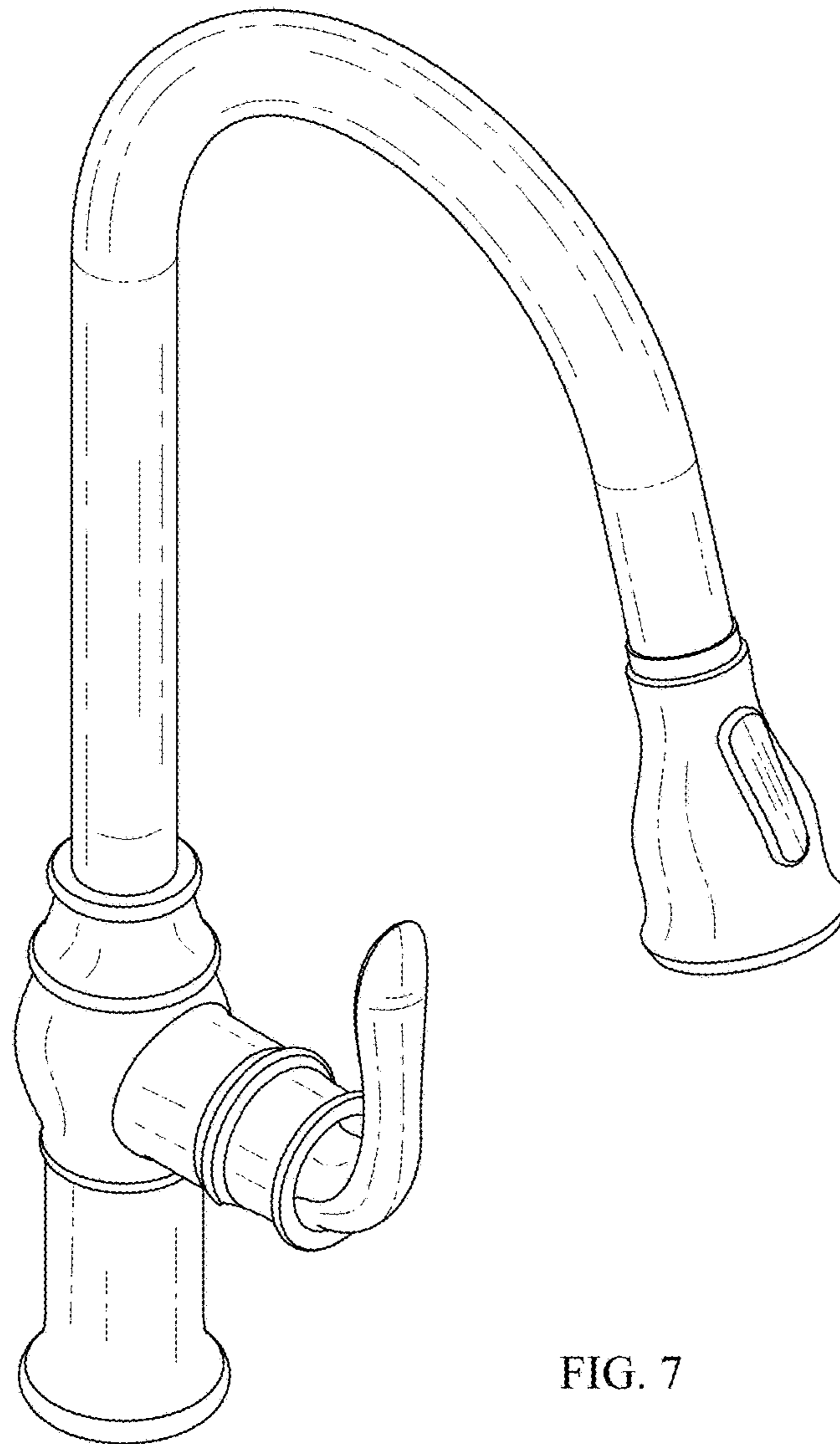


FIG. 7