



US00D862650S

(12) **United States Design Patent**  
**Meyers et al.**

(10) **Patent No.:** **US D862,650 S**  
(45) **Date of Patent:** **\*\* Oct. 8, 2019**

(54) **FAUCET**

**DESCRIPTION**

- (71) Applicant: **Beijing Kohler Ltd.**, Beijing (CN)
- (72) Inventors: **Jordan Meyers**, Paradise Valley, AZ (US); **Chia Ying Lee**, Chicago, IL (US); **Sophie Su**, Shanghai (CN)
- (73) Assignee: **BEIJING KOHLER LTD.** (CN)
- (\*\*) Term: **15 Years**
- (21) Appl. No.: **29/649,780**
- (22) Filed: **Jun. 1, 2018**
- (51) **LOC (12) Cl.** ..... **23-01**
- (52) **U.S. Cl.**  
USPC ..... **D23/238**
- (58) **Field of Classification Search**  
USPC ..... D23/238–243, 249, 255, 257, 250–252, D23/254; D8/305, 307–308; D9/556, D9/569, 681; D14/440; D5/56, 2, 58, 60  
See application file for complete search history.

(56) **References Cited**

**U.S. PATENT DOCUMENTS**

- D12,819 S \* 3/1882 Dobbin ..... D5/60
- D12,832 S \* 3/1882 Rosenfeld ..... D5/60
- D18,933 S \* 2/1889 Harley ..... D5/7
- D28,305 S \* 2/1898 Thomas ..... D5/60
- D87,343 S \* 7/1932 Hamilton ..... D9/560
- D102,444 S \* 12/1936 Petty ..... D9/563

(Continued)

*Primary Examiner* — Robert A Delehanty

(74) *Attorney, Agent, or Firm* — Foley & Lardner LLP

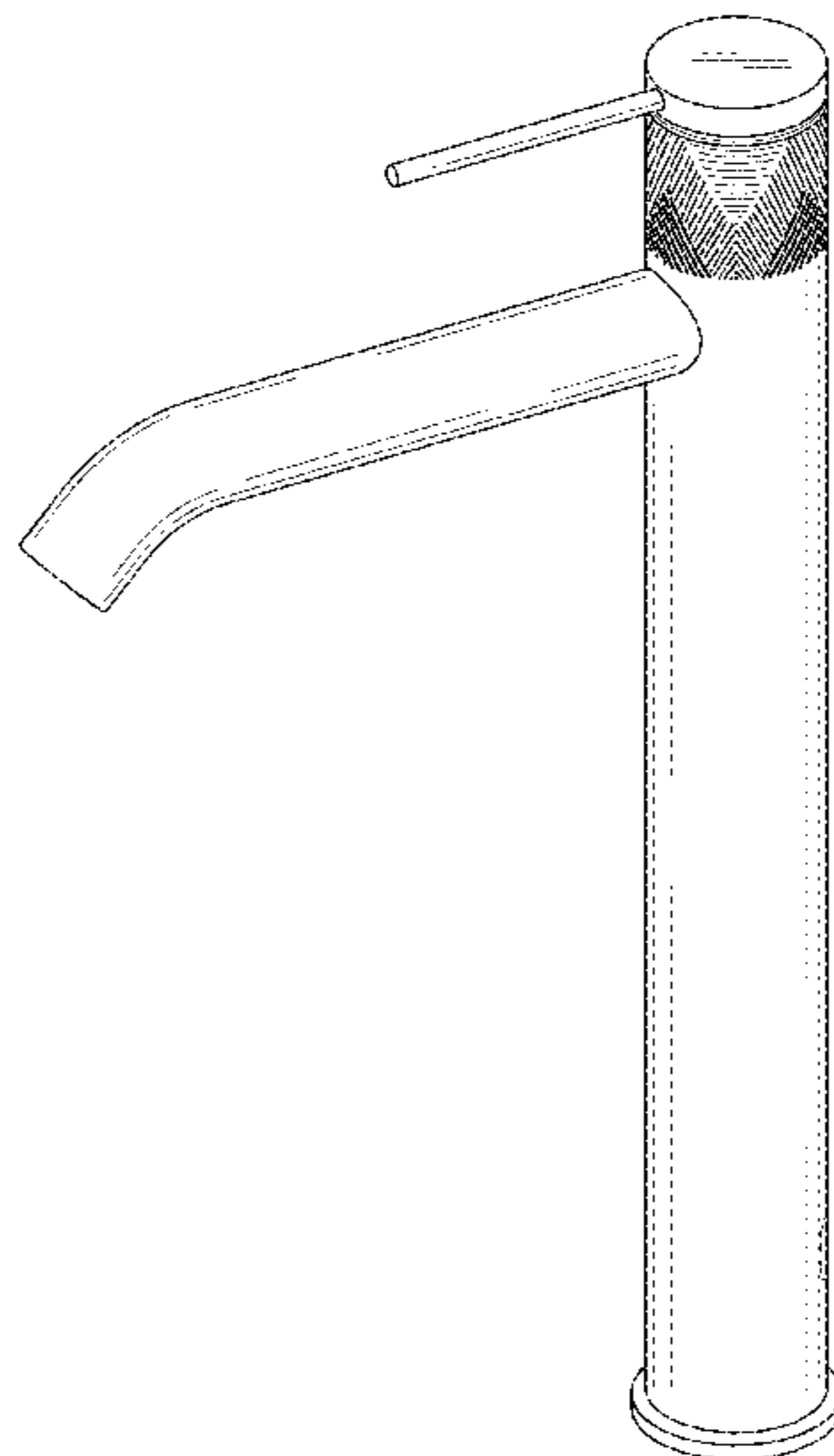
(57) **CLAIM**

We claim the ornamental design for a faucet, as shown and described.

FIG. 1 is a perspective view of an embodiment of the claimed design;  
 FIG. 2 is a front view of the claimed design shown in FIG. 1;  
 FIG. 3 is a rear view of the claimed design shown in FIG. 1;  
 FIG. 4 is a side view of the claimed design shown in FIG. 1;  
 FIG. 5 is a side view of the claimed design shown in FIG. 1;  
 FIG. 6 is a top view of the claimed design shown in FIG. 1;  
 FIG. 7 is a bottom view of the claimed design shown in FIG. 1;  
 FIG. 8 is a perspective view of another embodiment of the claimed design;  
 FIG. 9 is a front view of the claimed design shown in FIG. 8;  
 FIG. 10 is a rear view of the claimed design shown in FIG. 8;  
 FIG. 11 is a side view of the claimed design shown in FIG. 8;  
 FIG. 12 is a side view of the claimed design shown in FIG. 8;  
 FIG. 13 is a top view of the claimed design shown in FIG. 8; and,  
 FIG. 14 is a bottom view of the claimed design shown in FIG. 8.

The ornamental design that is claimed is shown in the drawings as solid lines and surfaces having surface shading. The broken lines in the drawings are for illustrative purposes only and form no part of the claimed design. For example, broken lines formed by equal length dashes show unclaimed portions of the design. Broken lines formed of unequal length dashes (i.e., dash-dot) show boundaries between either claimed and unclaimed portions of the design or between unclaimed and unclaimed portions of the design.

**1 Claim, 10 Drawing Sheets**



(56)

**References Cited**

U.S. PATENT DOCUMENTS

D102,942 S \* 1/1937 Covert ..... D9/556  
D110,034 S \* 6/1938 Reynolds ..... D9/546  
D118,357 S \* 12/1939 Wechsler ..... D5/47  
3,185,034 A \* 5/1965 Youngblood, Jr. .... E04C 2/54  
359/595  
D597,175 S \* 7/2009 Kulig ..... D23/238  
D674,704 S \* 1/2013 Baussan ..... D9/566  
D758,745 S \* 6/2016 Blakely ..... D2/742  
D787,642 S \* 5/2017 Kirar ..... D23/255  
D799,295 S \* 10/2017 Huttunen ..... D8/76  
D813,986 S \* 3/2018 Schoenherr ..... D23/238  
D823,989 S \* 7/2018 Soulier ..... D23/238  
D824,141 S \* 7/2018 Binger ..... D2/717  
D827,779 S \* 9/2018 Soulier ..... D23/238  
D828,908 S \* 9/2018 Merki ..... D23/238  
D836,296 S \* 12/2018 Sickert ..... D2/717

\* cited by examiner

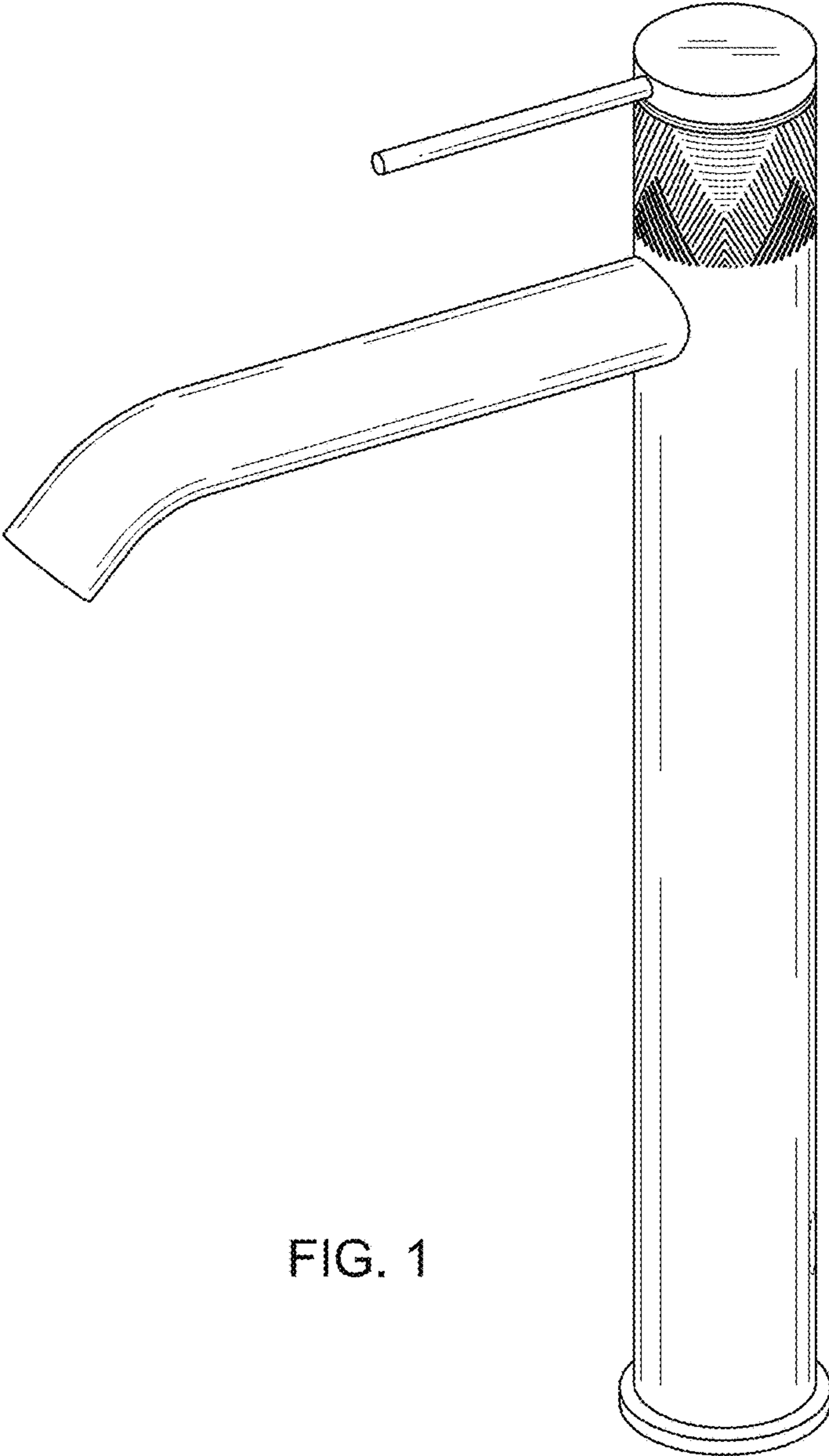


FIG. 1

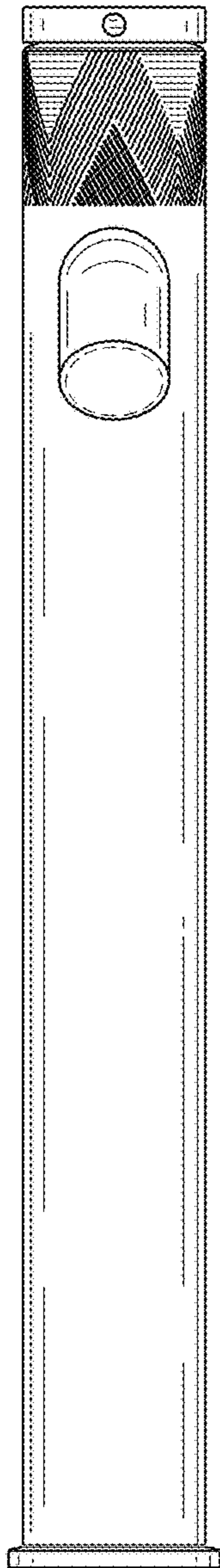


FIG. 2

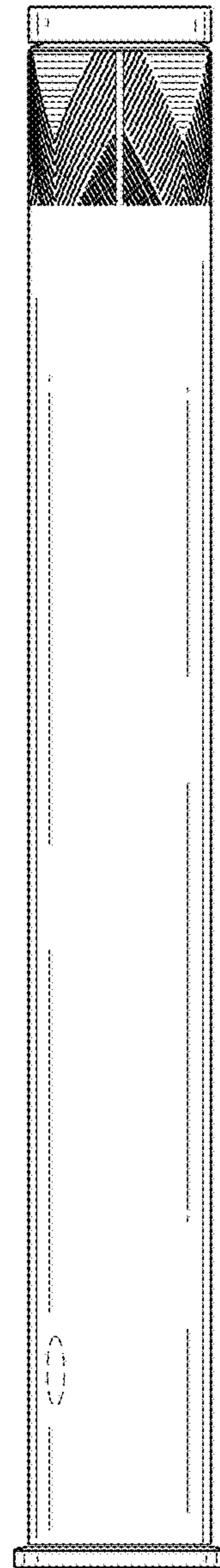


FIG. 3

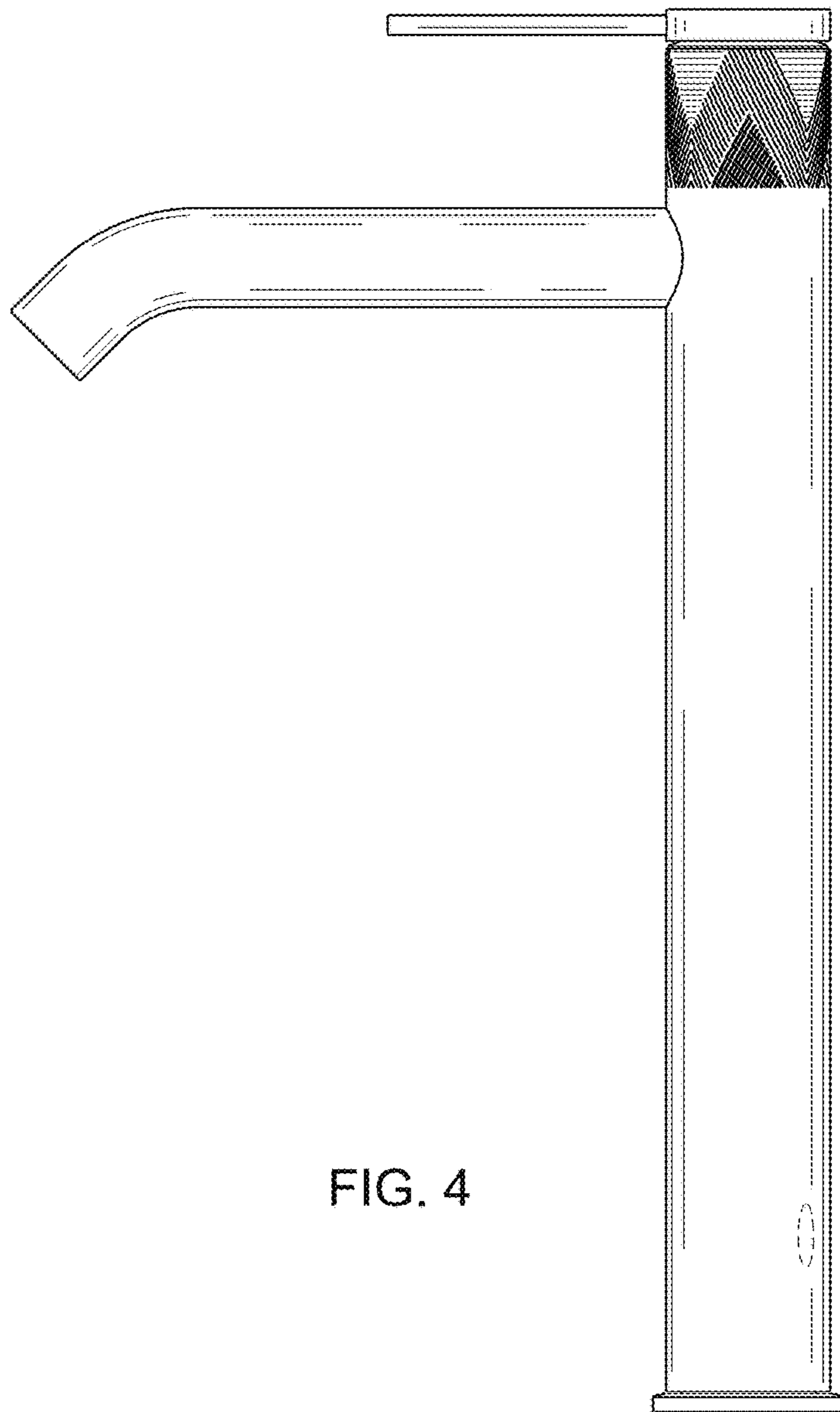


FIG. 4

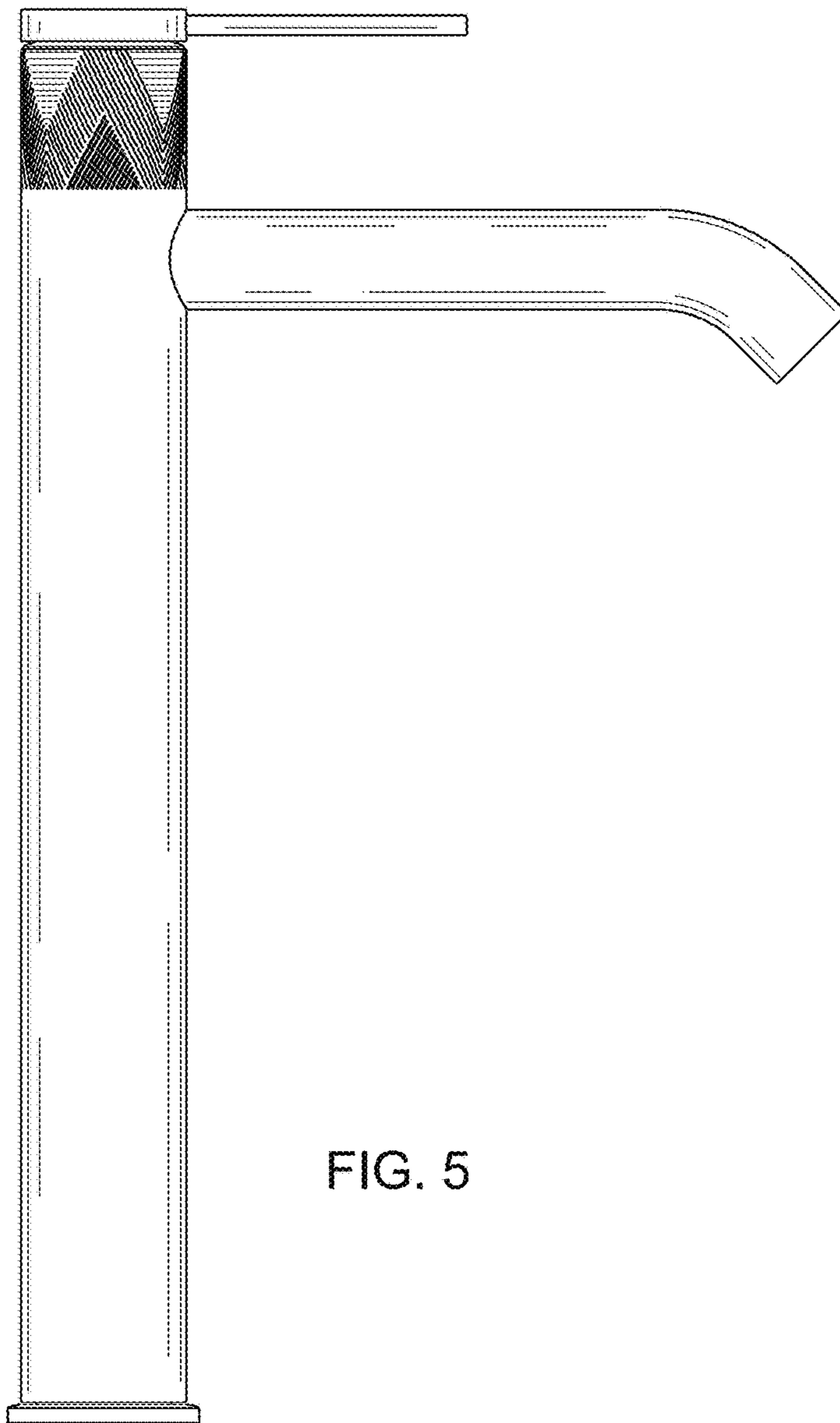


FIG. 5



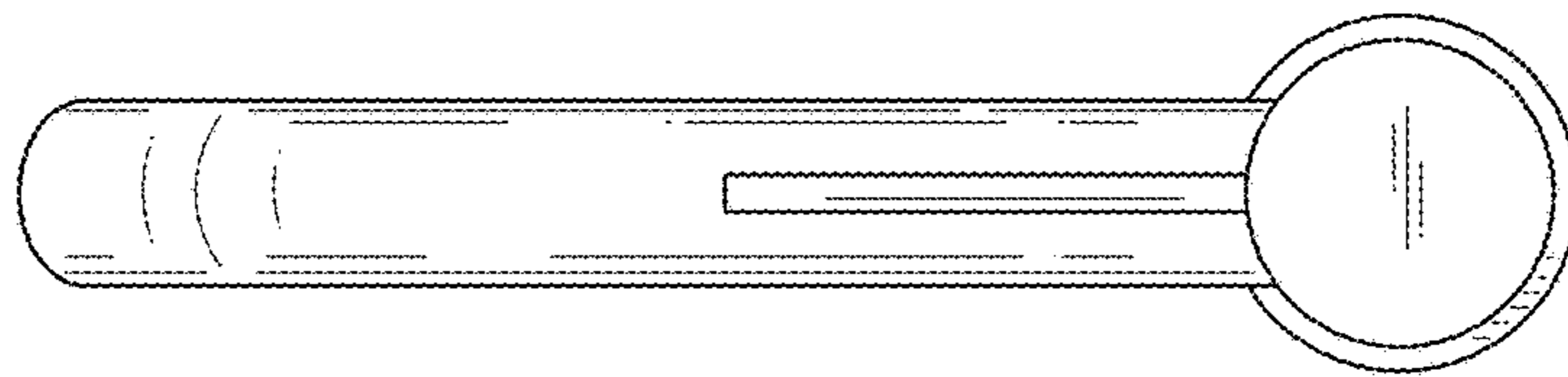


FIG. 6

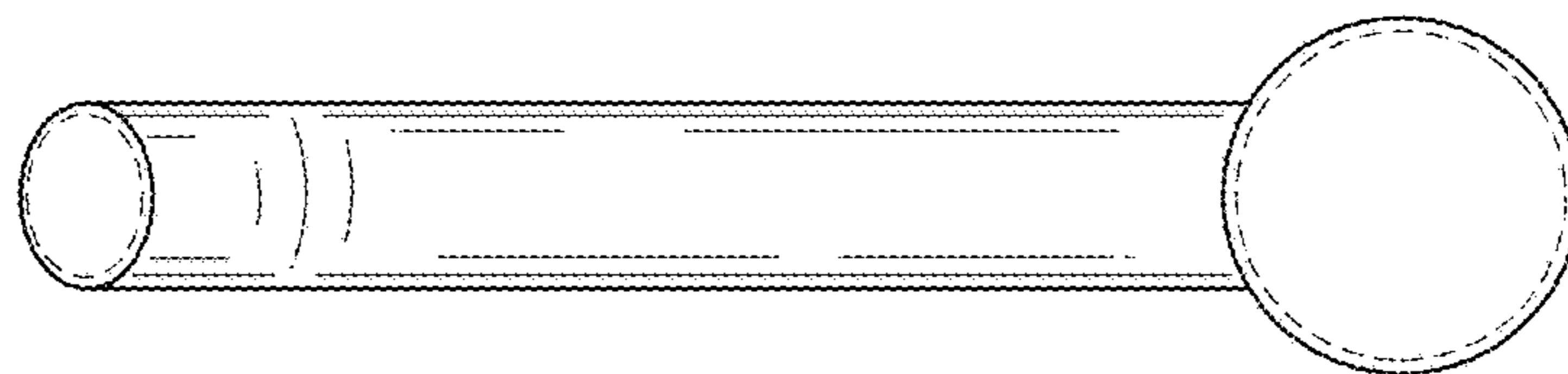


FIG. 7

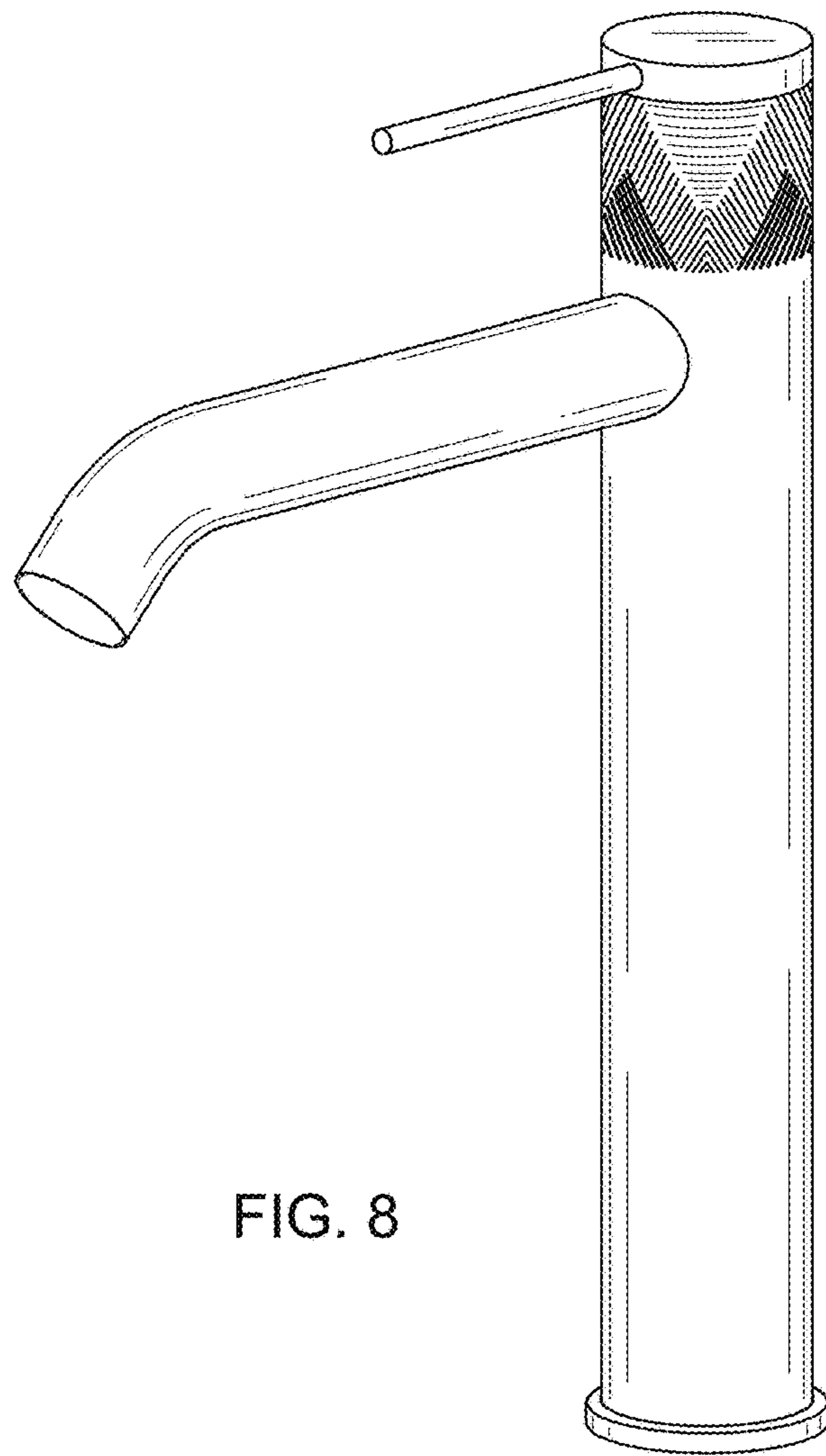


FIG. 8



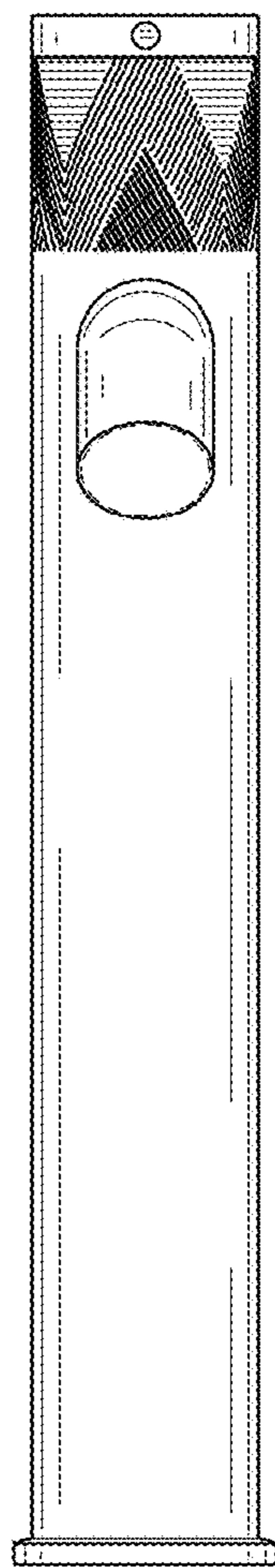


FIG. 9

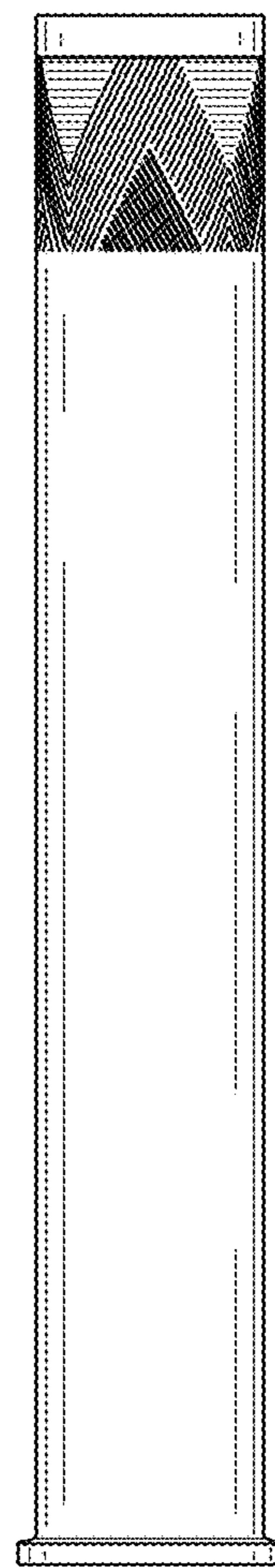


FIG. 10

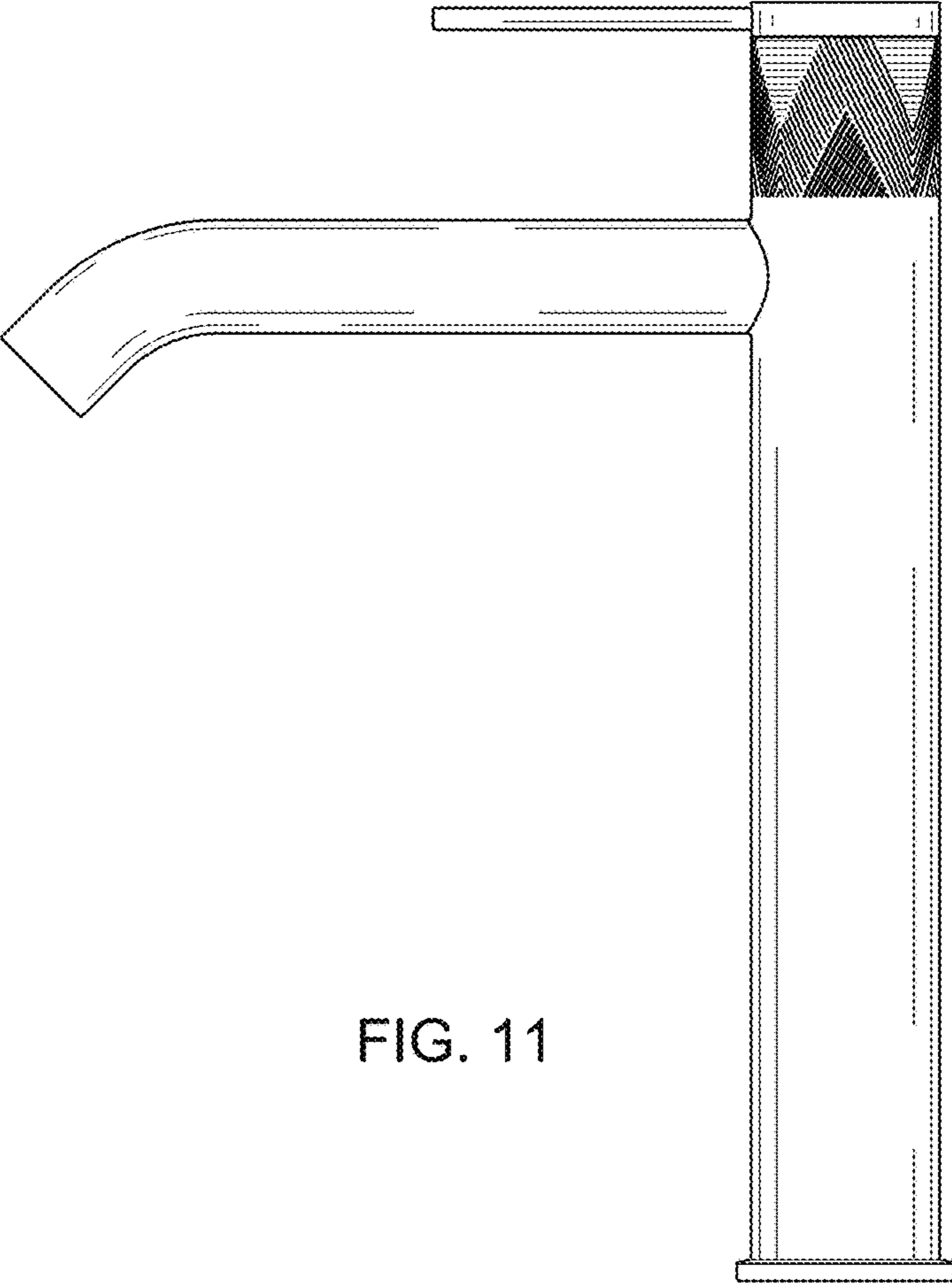


FIG. 11

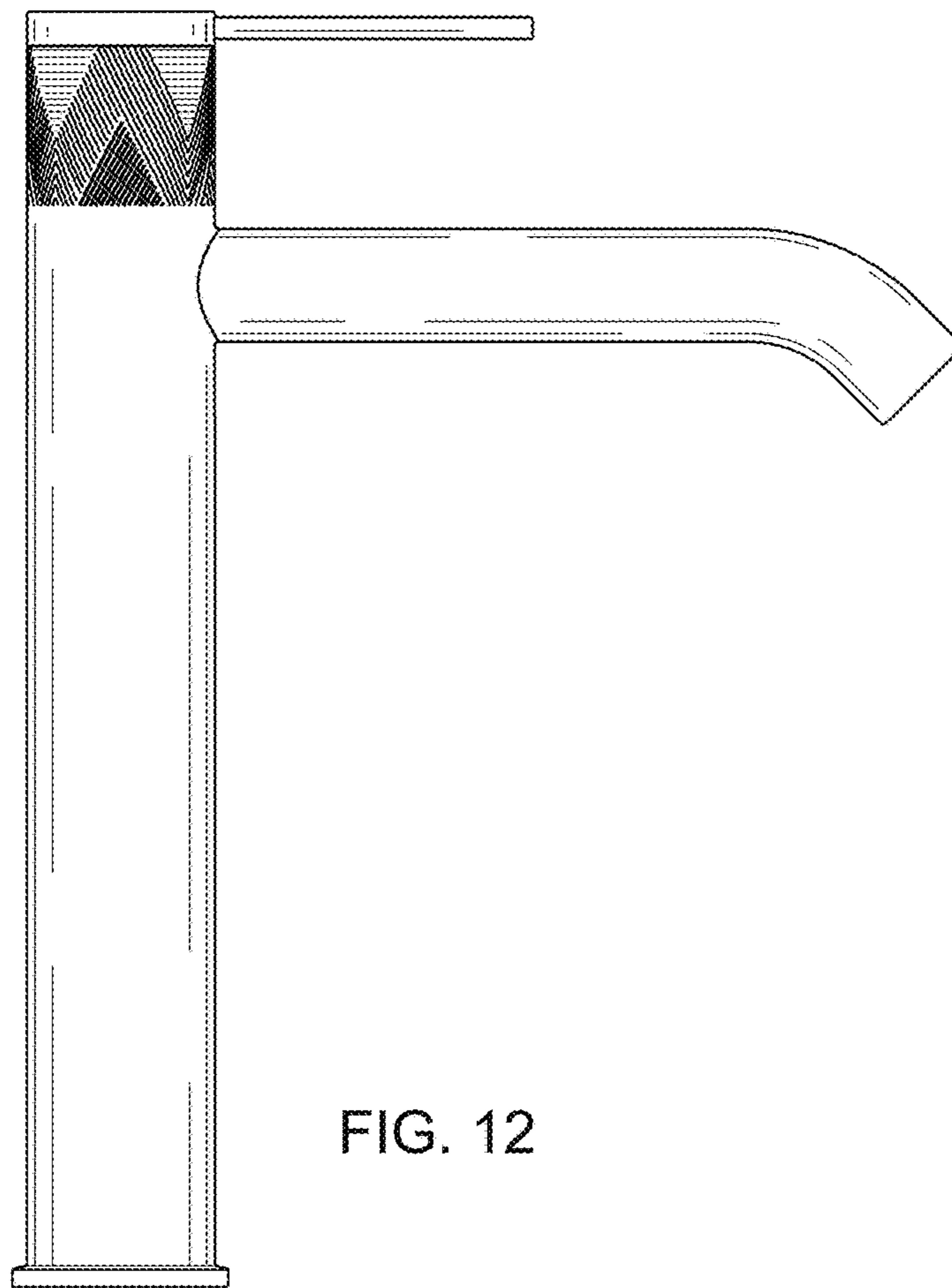


FIG. 12

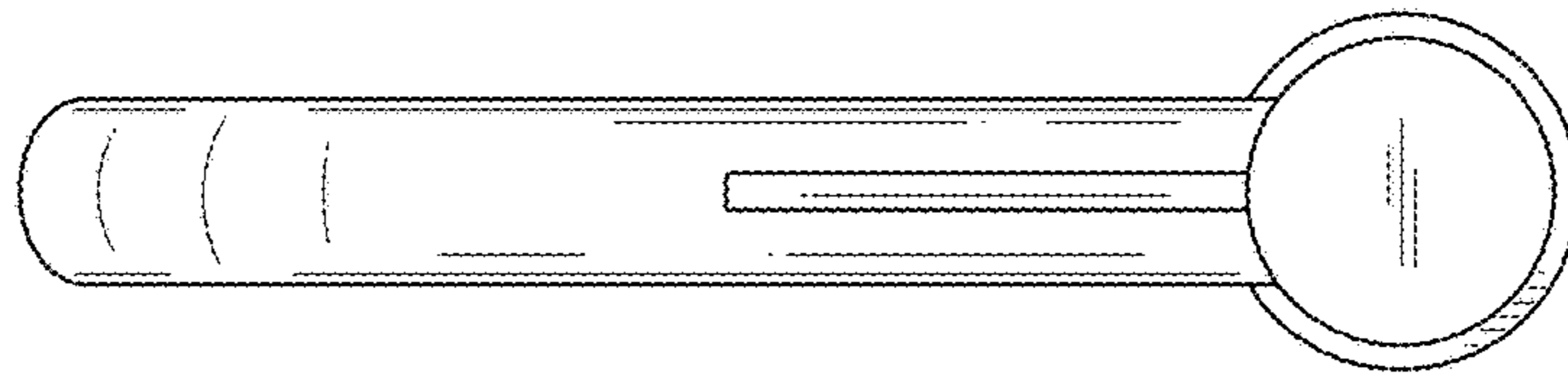


FIG. 13

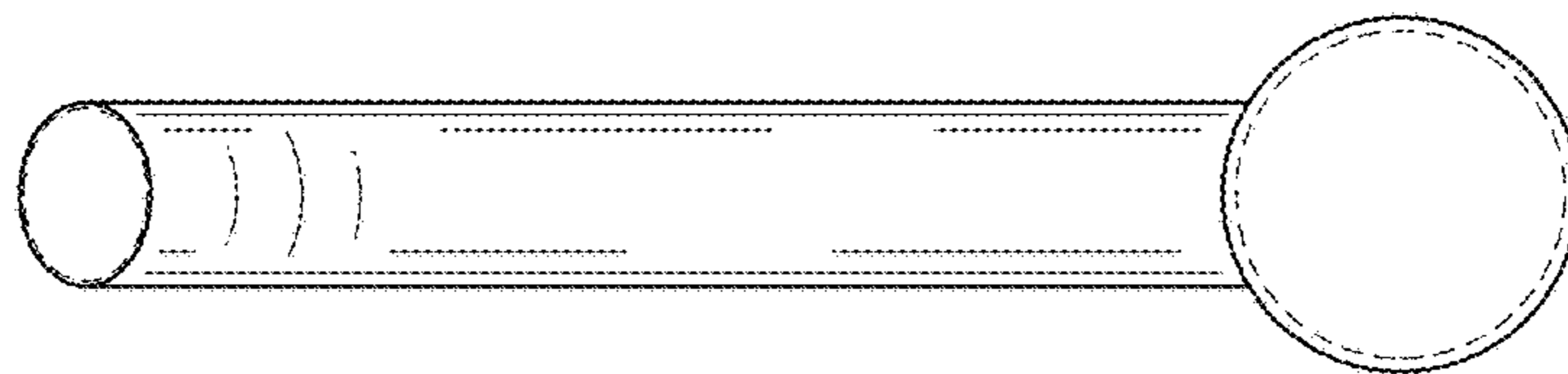


FIG. 14