

US00D862648S

(12) **United States Design Patent**  
**Zeng**

(10) **Patent No.:** **US D862,648 S**

(45) **Date of Patent:** **\*\* Oct. 8, 2019**

(54) **FAUCET**

(71) Applicant: **Foshan Shunde Yajiasi Kitchen Cabinet Co., Ltd.**, Foshan (Guangdong Province) (CN)

(72) Inventor: **Deju Zeng**, Foshan (CN)

(73) Assignee: **Foshan Shunde Yajiasi Kitchen Cabinet Co., Ltd.**, Foshan (CN)

(\*\*) Term: **15 Years**

(21) Appl. No.: **29/633,736**

(22) Filed: **Jan. 15, 2018**

(51) **LOC (12) Cl.** ..... **23-01**

(52) **U.S. Cl.**  
USPC ..... **D23/238**

(58) **Field of Classification Search**  
USPC ..... D23/238-243, 249, 255, 257, 250, 252, D23/254, 213, 223, 226; D8/307-308  
CPC ..... E03C 1/0412  
See application file for complete search history.

(56) **References Cited**

**U.S. PATENT DOCUMENTS**

D583,015 S \* 12/2008 Soriano ..... D23/249  
D605,260 S \* 12/2009 Allard ..... D23/255

D651,284 S \* 12/2011 Flowers ..... D23/243  
D735,298 S \* 7/2015 Eads ..... D23/238  
D802,720 S \* 11/2017 Haug ..... D23/238

\* cited by examiner

*Primary Examiner* — Robert A Delehanty  
(74) *Attorney, Agent, or Firm* — Yong Chen

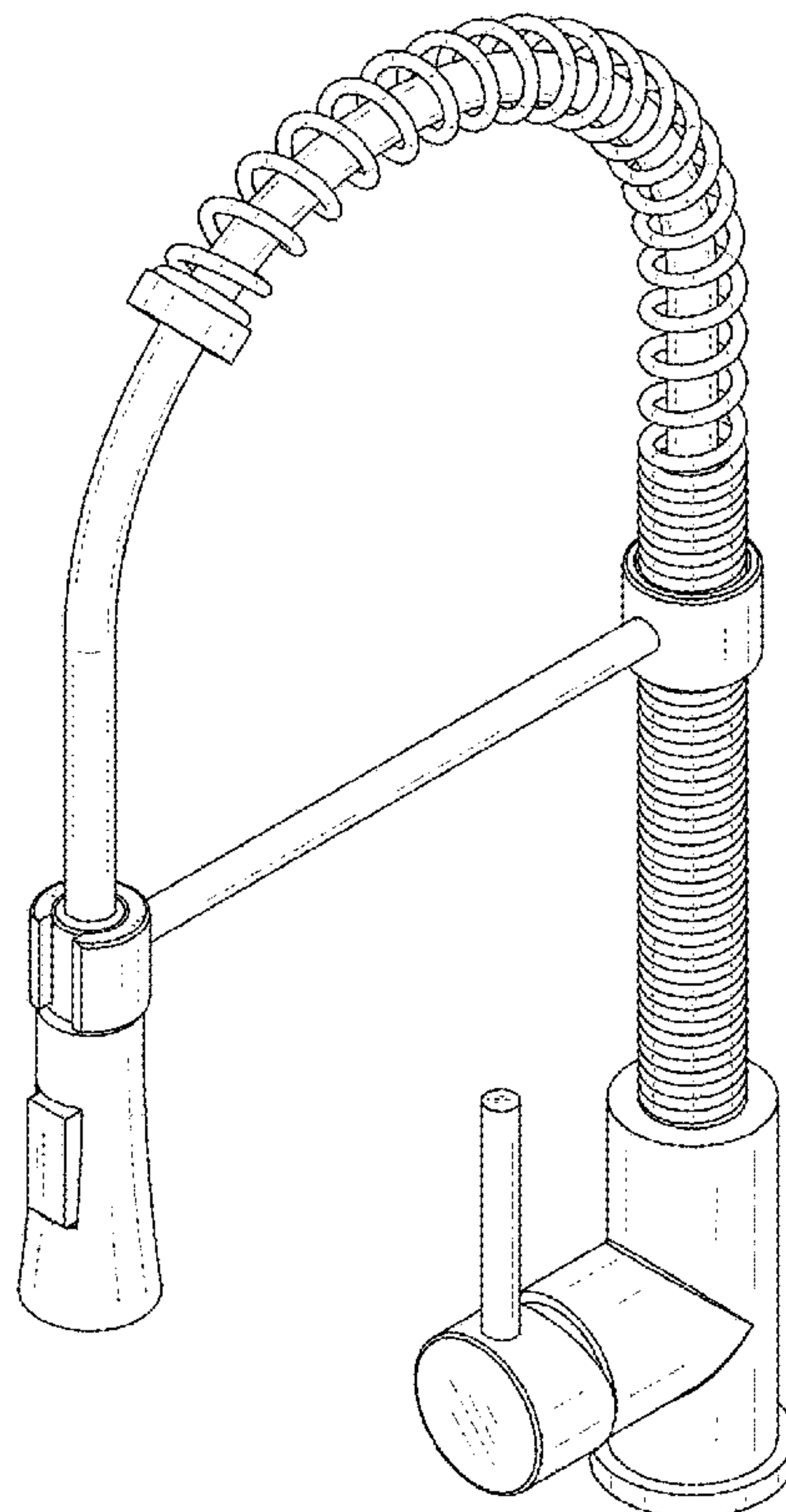
(57) **CLAIM**

The ornamental design for a faucet, as shown and described.

**DESCRIPTION**

FIG. 1 is a front view of a faucet of the present invention. FIG. 2 is a back view thereof. FIG. 3 is a left view thereof. FIG. 4 is a right view thereof. FIG. 5 is a top view thereof. FIG. 6 is a bottom view thereof. FIG. 7 is a perspective view thereof; and, FIG. 8 is another perspective view thereof. The broken line showing of certain portions of the faucet is included for the purpose of illustration only and forms no part of the claimed design.

**1 Claim, 8 Drawing Sheets**



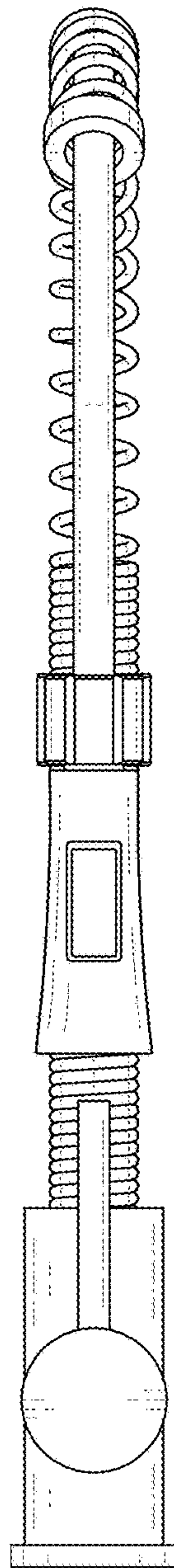


FIG. 1

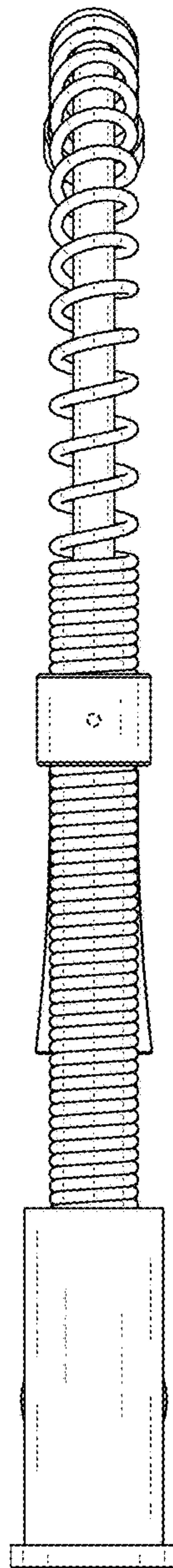


FIG. 2

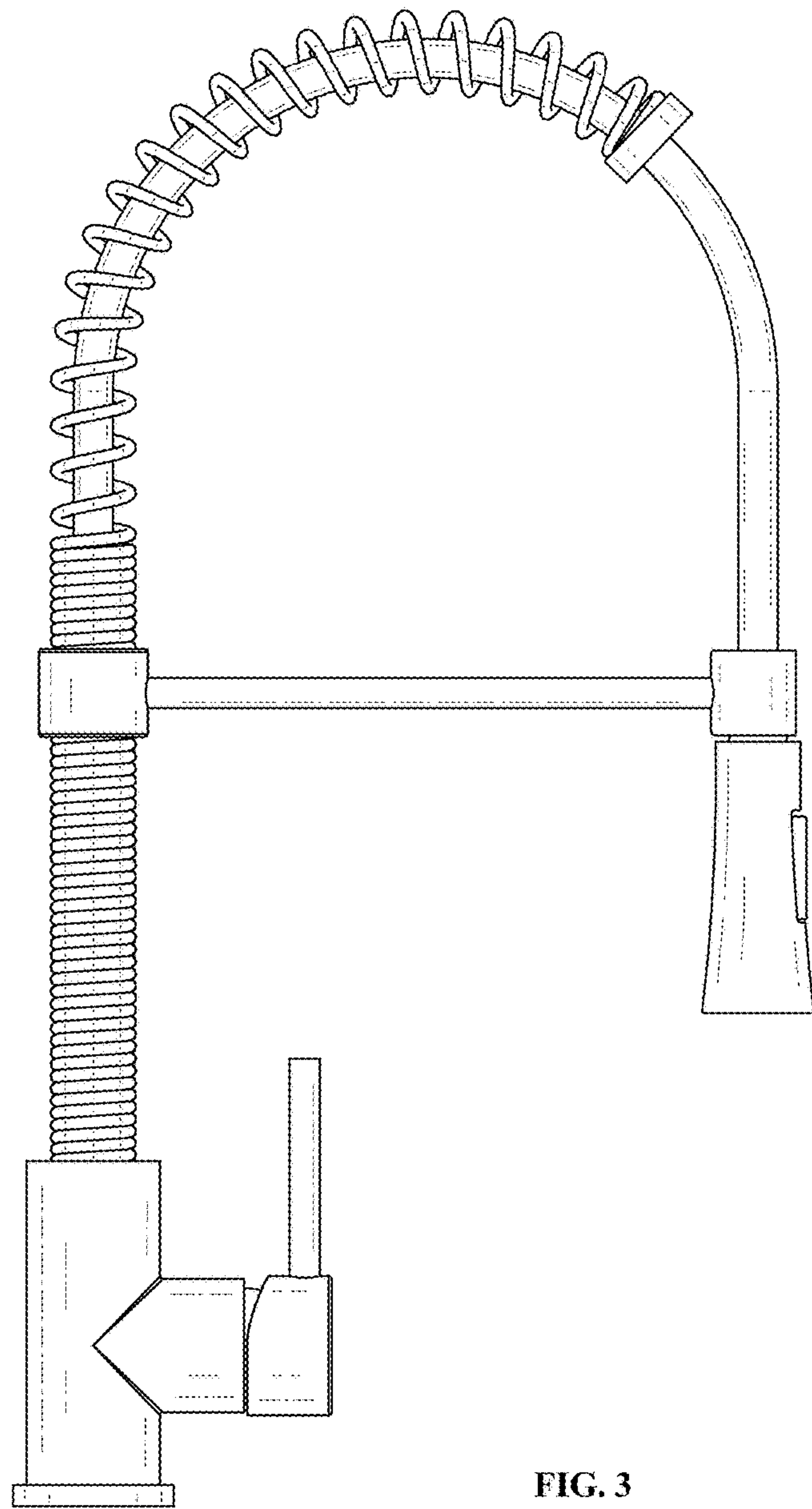


FIG. 3

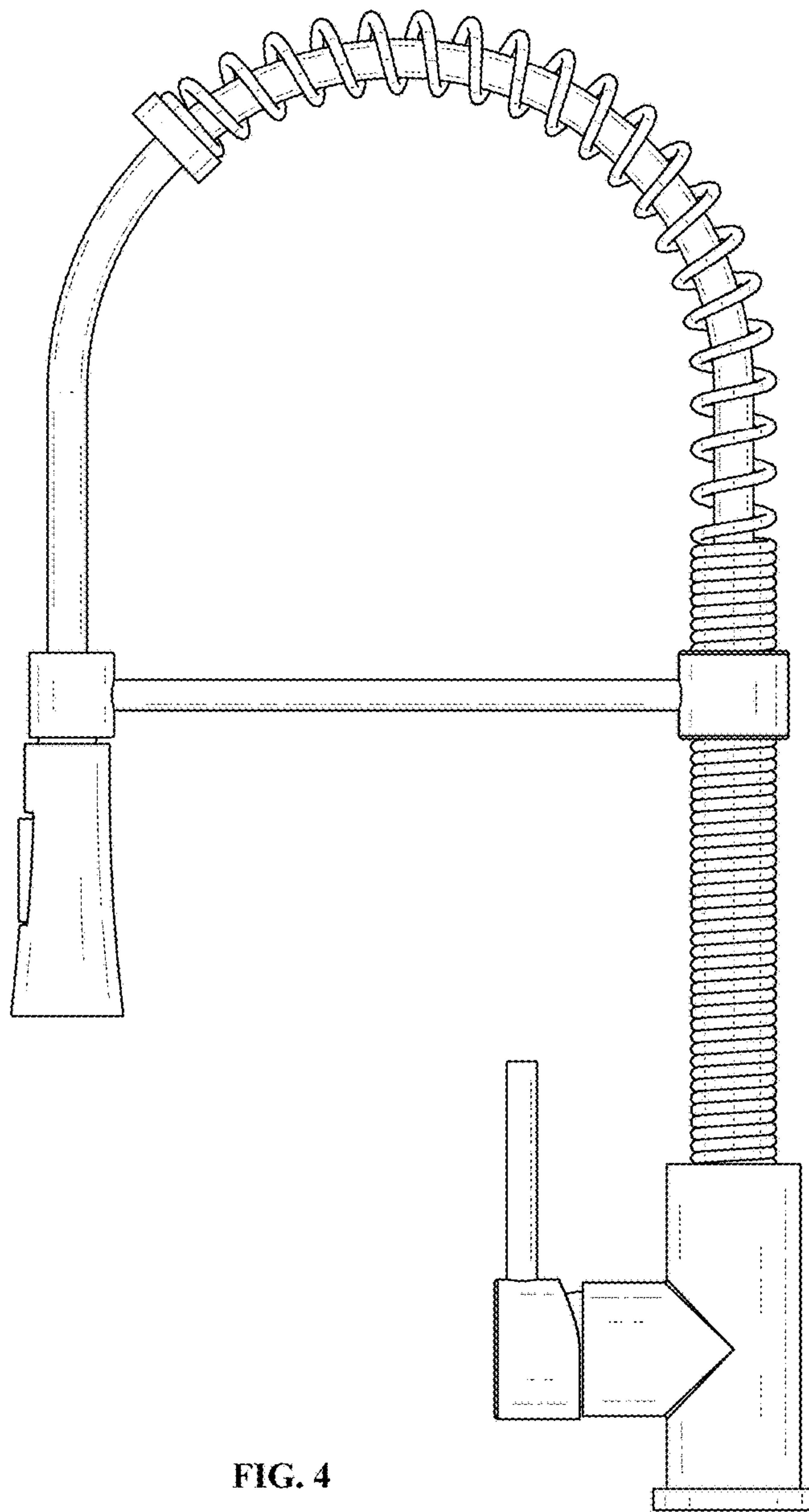


FIG. 4

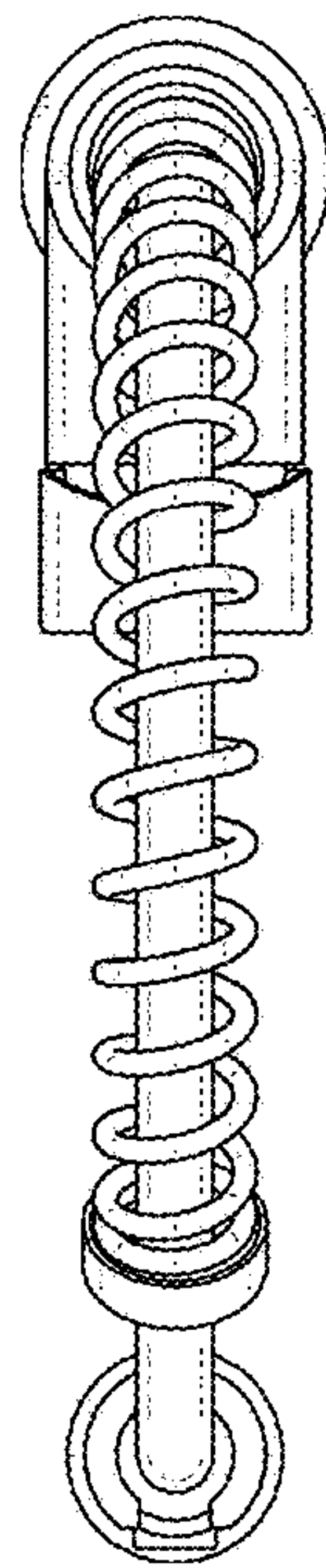


FIG. 5

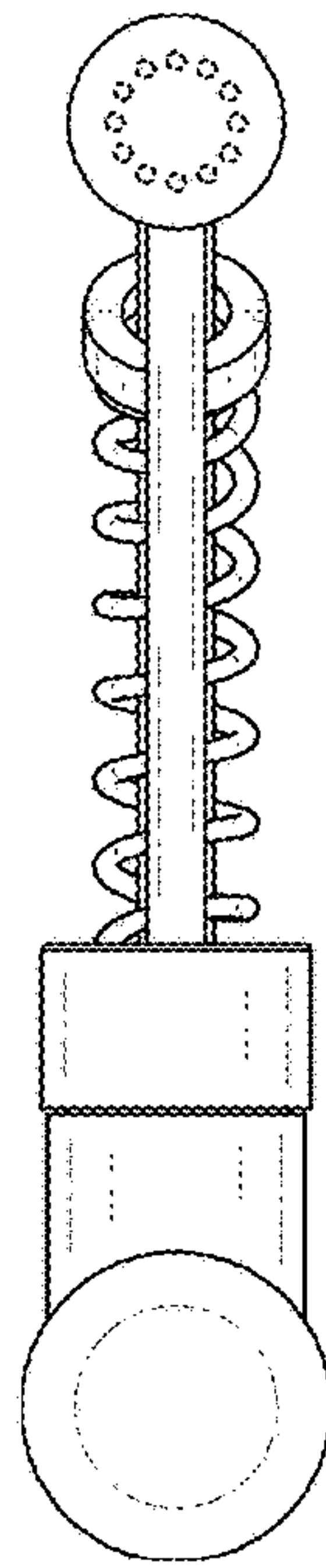


FIG. 6



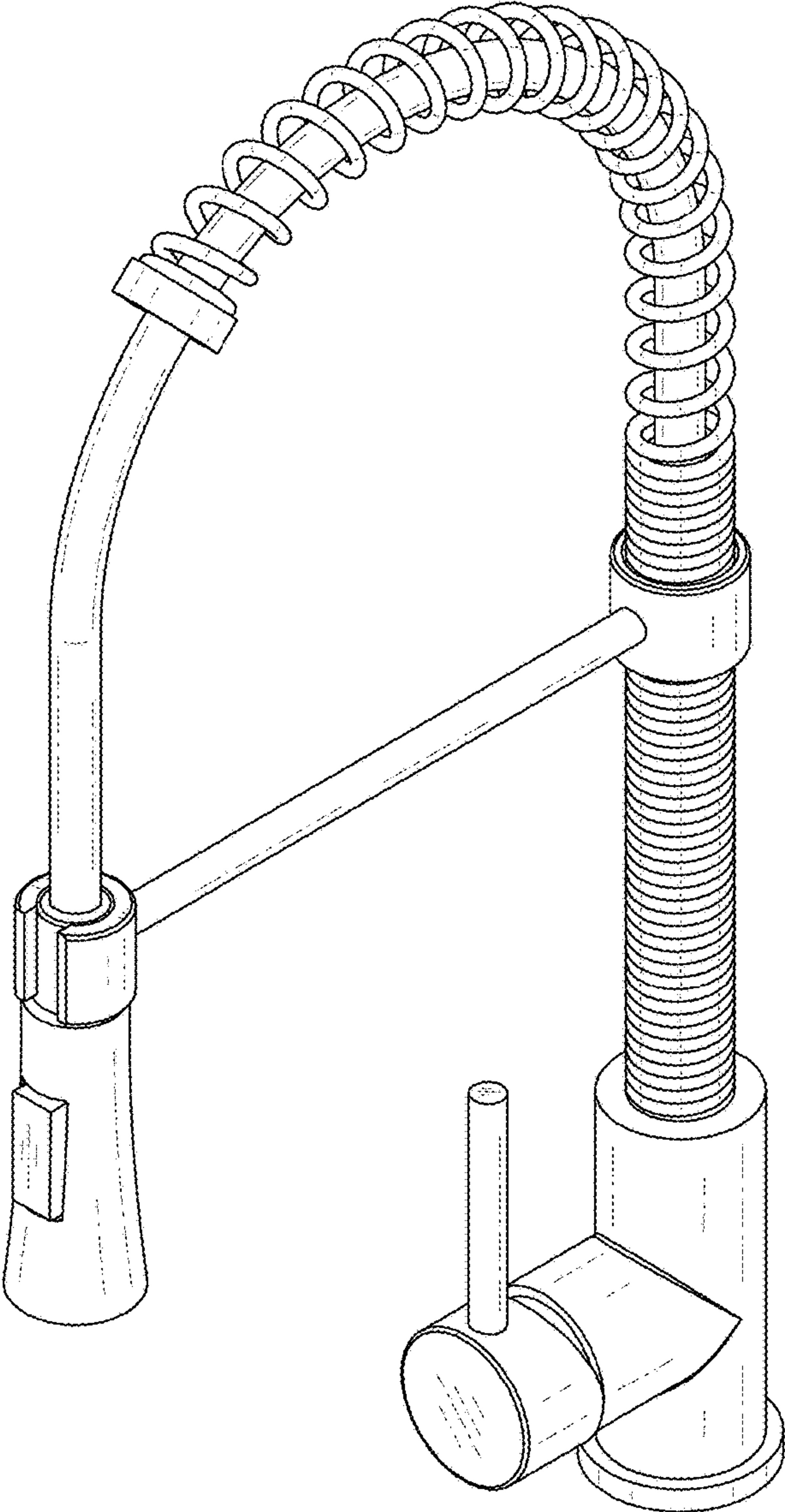


FIG. 7



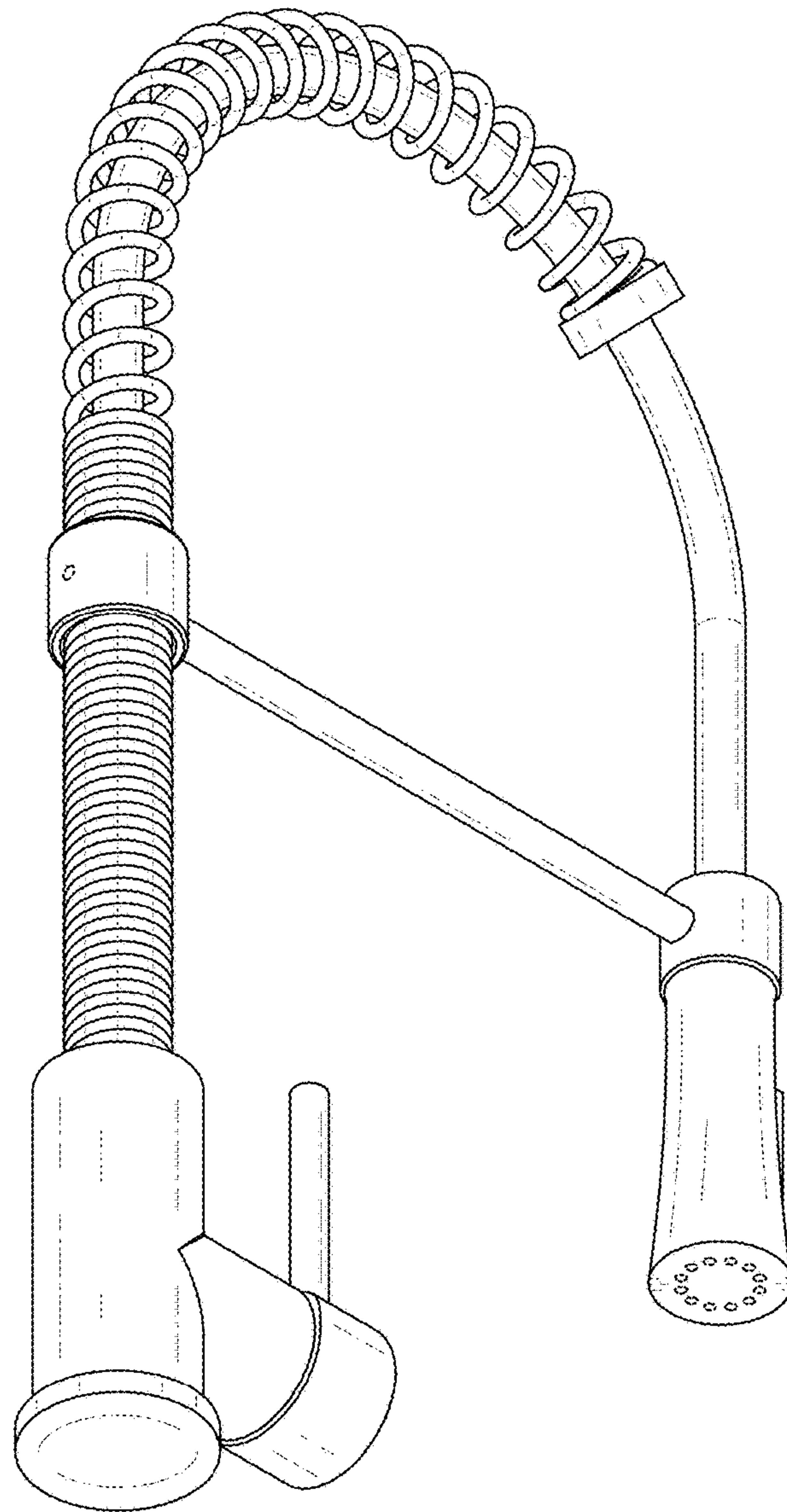


FIG. 8