

US00D862647S

(12) **United States Design Patent**
Zeng

(10) **Patent No.:** **US D862,647 S**
(45) **Date of Patent:** **** Oct. 8, 2019**

(54) **FAUCET**

(71) Applicant: **Foshan Shunde Yajiasi Kitchen Cabinet Co., Ltd.**, Foshan (Guangdong Province) (CN)

(72) Inventor: **Deju Zeng**, Foshan (CN)

(73) Assignee: **Foshan Shunde Yajiasi Kitchen Cabinet Co., Ltd.** (CN)

(**) Term: **15 Years**

(21) Appl. No.: **29/633,565**

(22) Filed: **Jan. 15, 2018**

(51) **LOC (12) Cl.** **23-01**

(52) **U.S. Cl.**
USPC **D23/238**

(58) **Field of Classification Search**
USPC D23/238-243, 249, 255, 257, 250, 252, D23/254, 213, 223, 226; D8/307-308
CPC E03C 1/0412
See application file for complete search history.

(56) **References Cited**

U.S. PATENT DOCUMENTS

D534,990 S * 1/2007 Zhou D23/238
D576,255 S * 9/2008 Nobili D23/238

D605,260 S * 12/2009 Allard D23/255
8,413,686 B2 * 4/2013 Ko E03C 1/0404
137/801
D685,878 S * 7/2013 Fritz D23/238
8,869,821 B2 * 10/2014 Laera E03C 1/0404
137/355.16
D816,804 S * 5/2018 Chong D23/238
D828,508 S * 9/2018 Fritz D23/238
10,233,619 B1 * 3/2019 Lin E03C 1/0404

* cited by examiner

Primary Examiner — Robert A Delehanty
(74) *Attorney, Agent, or Firm* — Yong Chen

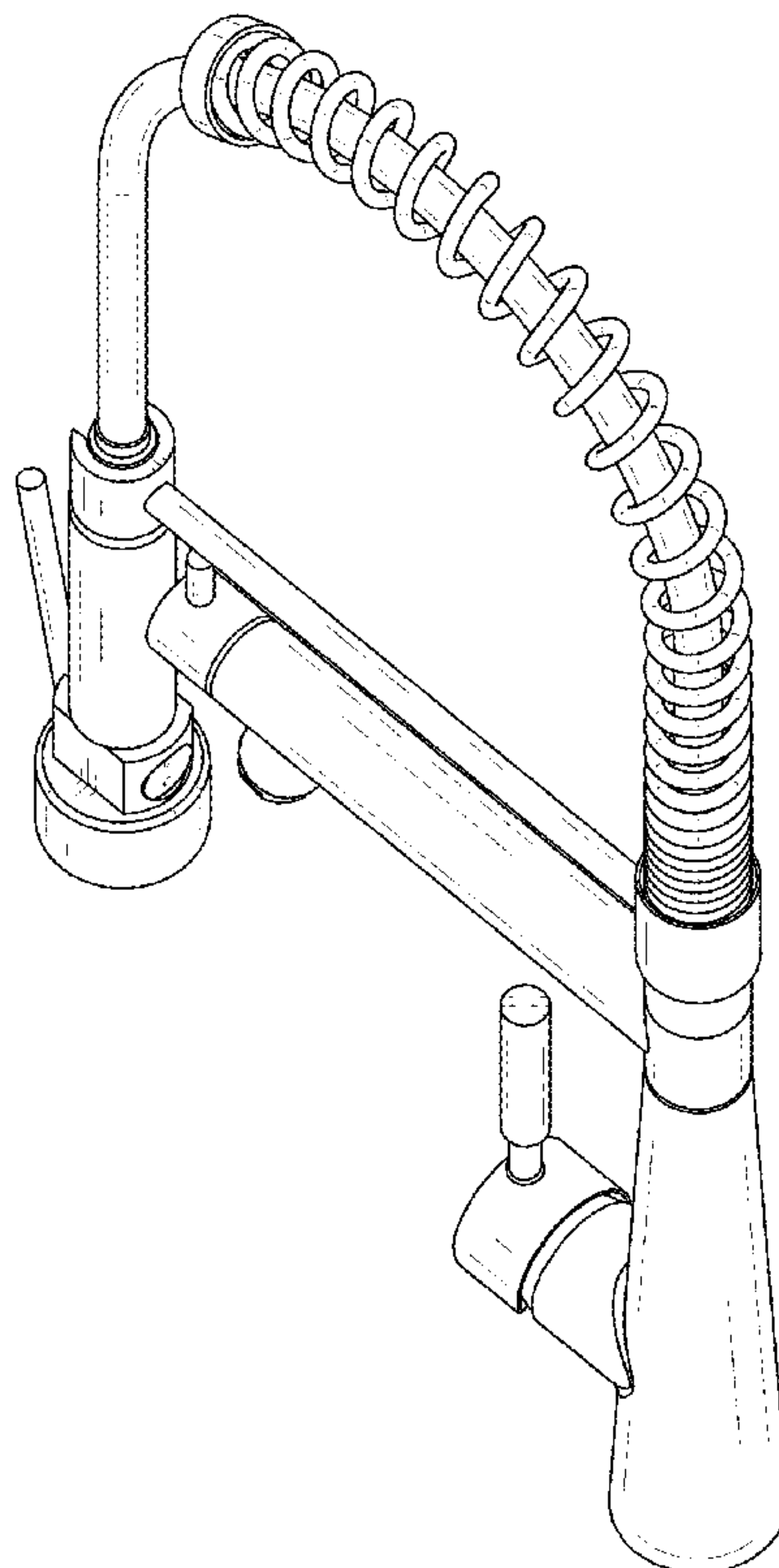
(57) **CLAIM**

The ornamental design for a faucet, as shown and described.

DESCRIPTION

FIG. 1 is a front view of a faucet of the present invention.
FIG. 2 is a back view thereof.
FIG. 3 is a left view thereof.
FIG. 4 is a right view thereof.
FIG. 5 is a top view thereof.
FIG. 6 is a bottom view thereof.
FIG. 7 is a perspective view thereof; and,
FIG. 8 is another perspective view thereof.
The broken line showing of certain portions of the faucet is included for the purpose of illustration only and forms no part of the claimed design.

1 Claim, 8 Drawing Sheets



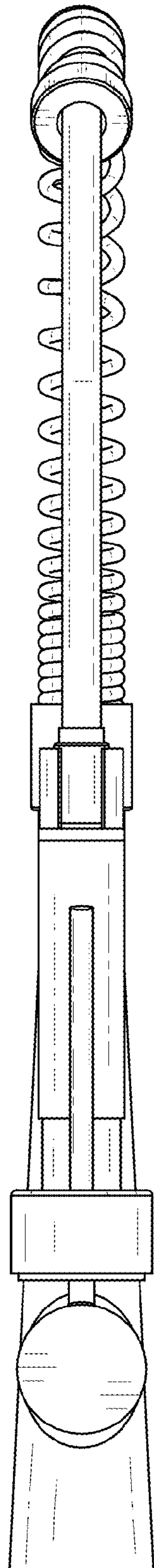


FIG. 1

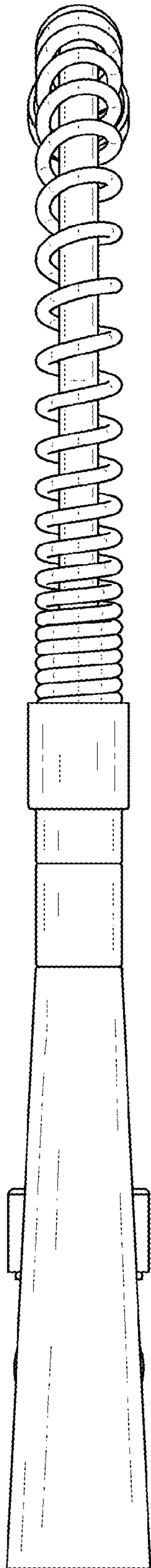


FIG. 2

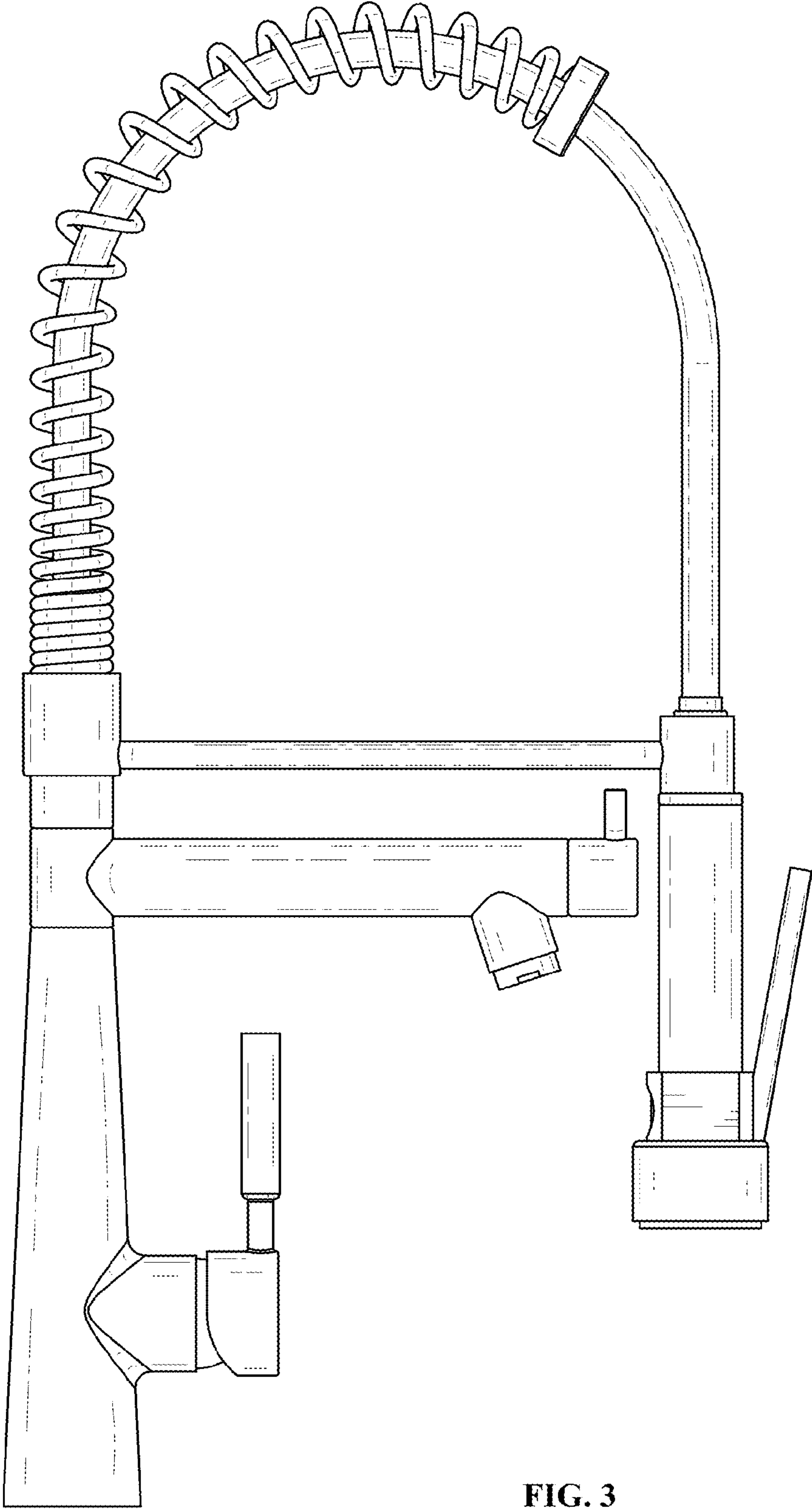


FIG. 3

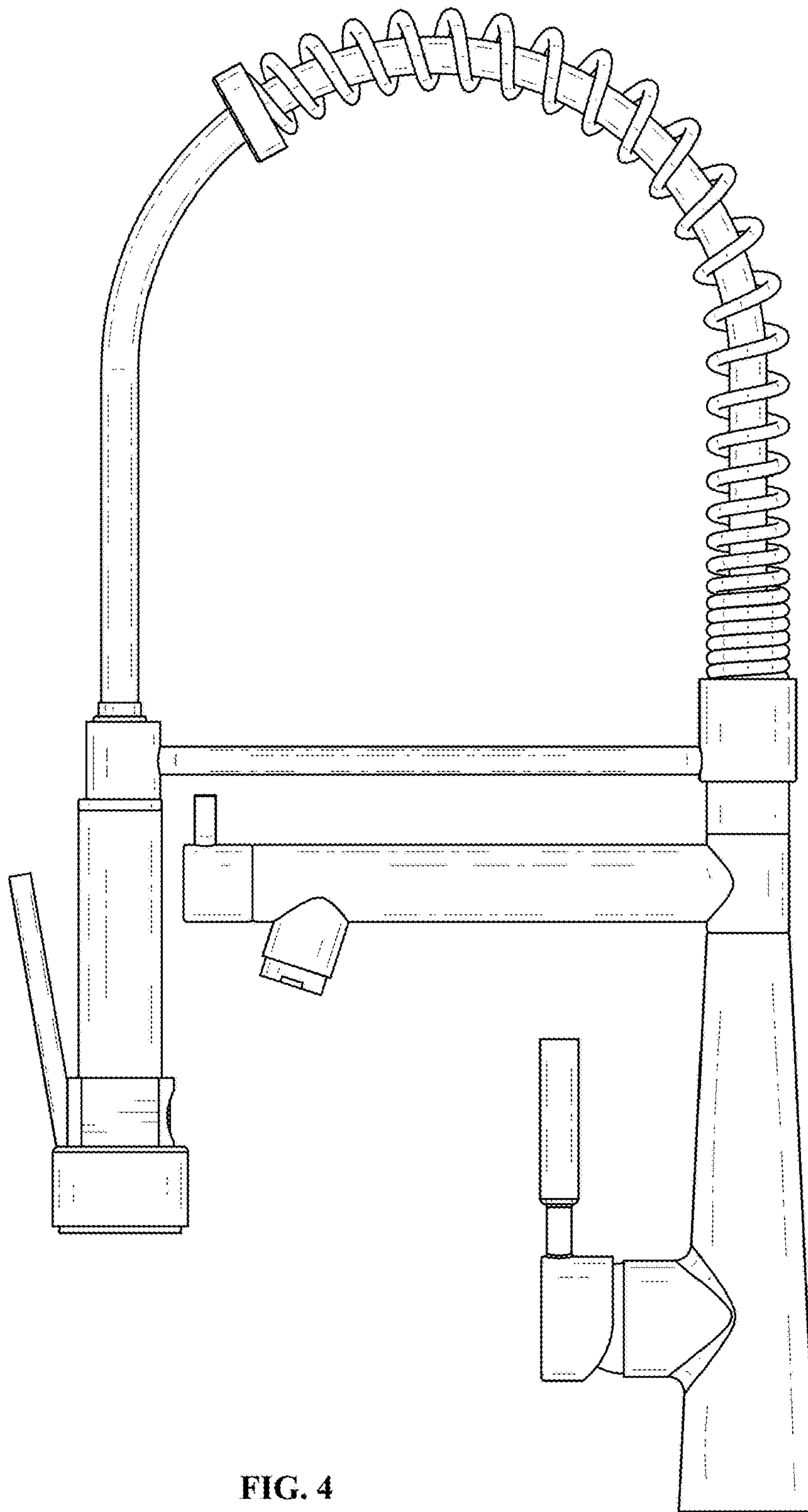


FIG. 4

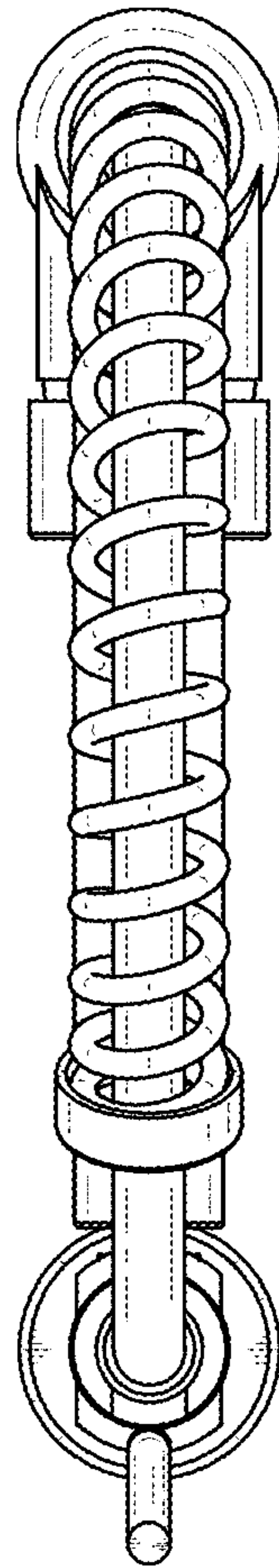


FIG. 5

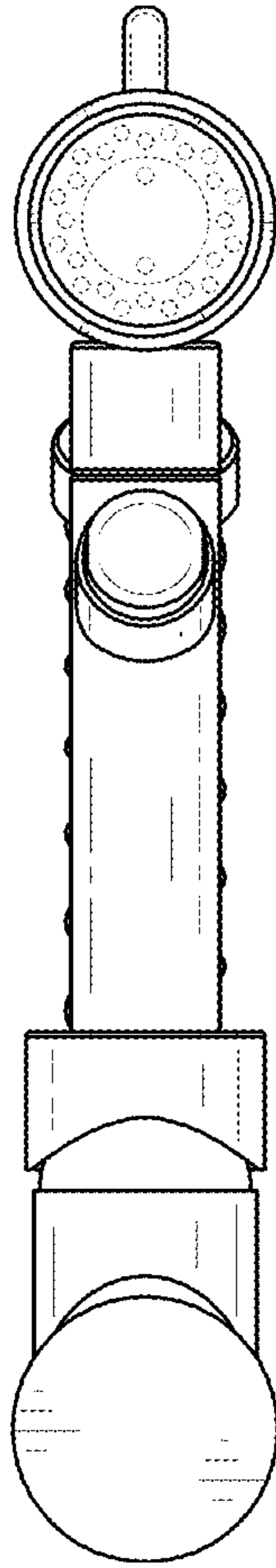


FIG. 6

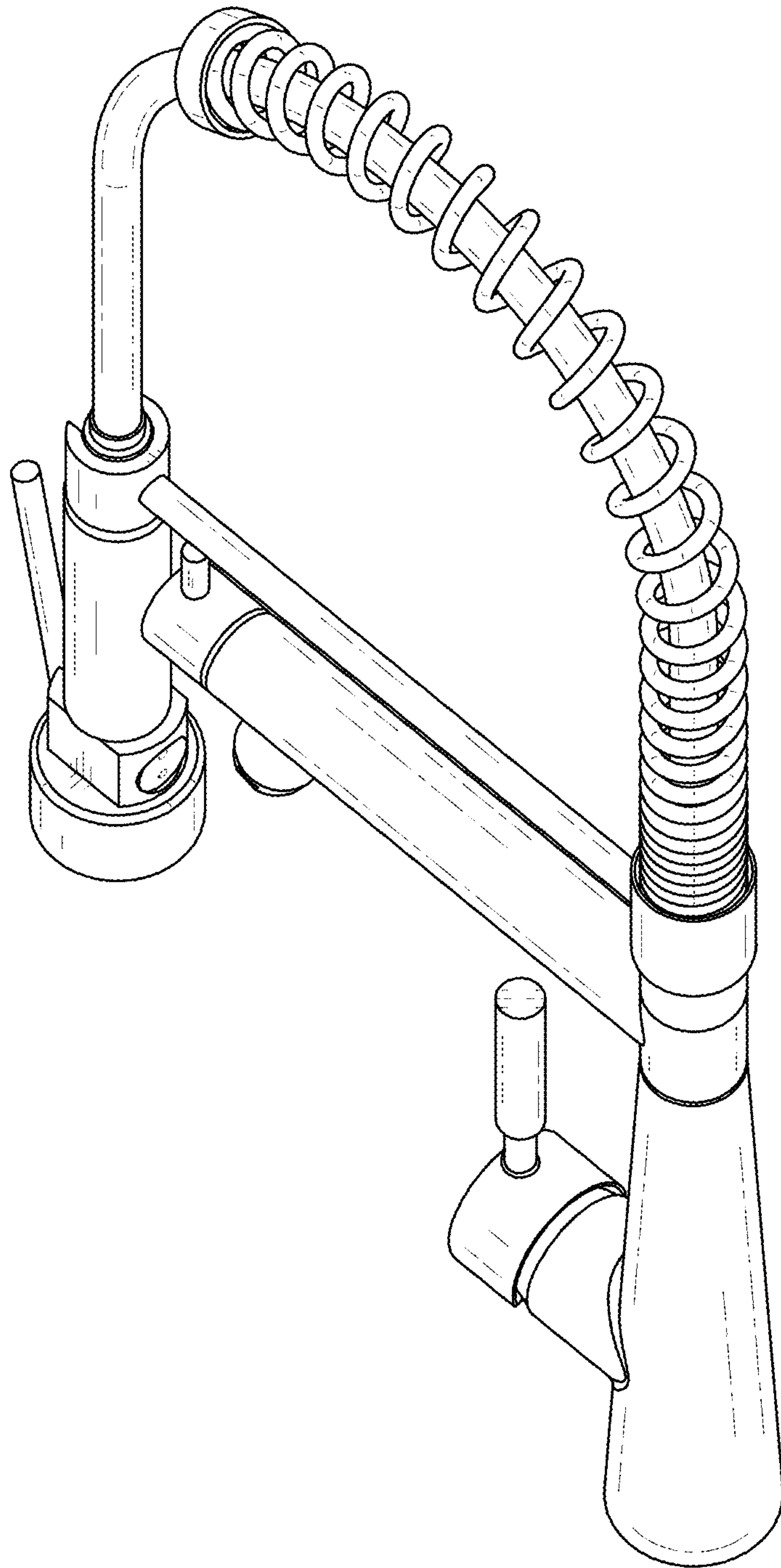


FIG. 7

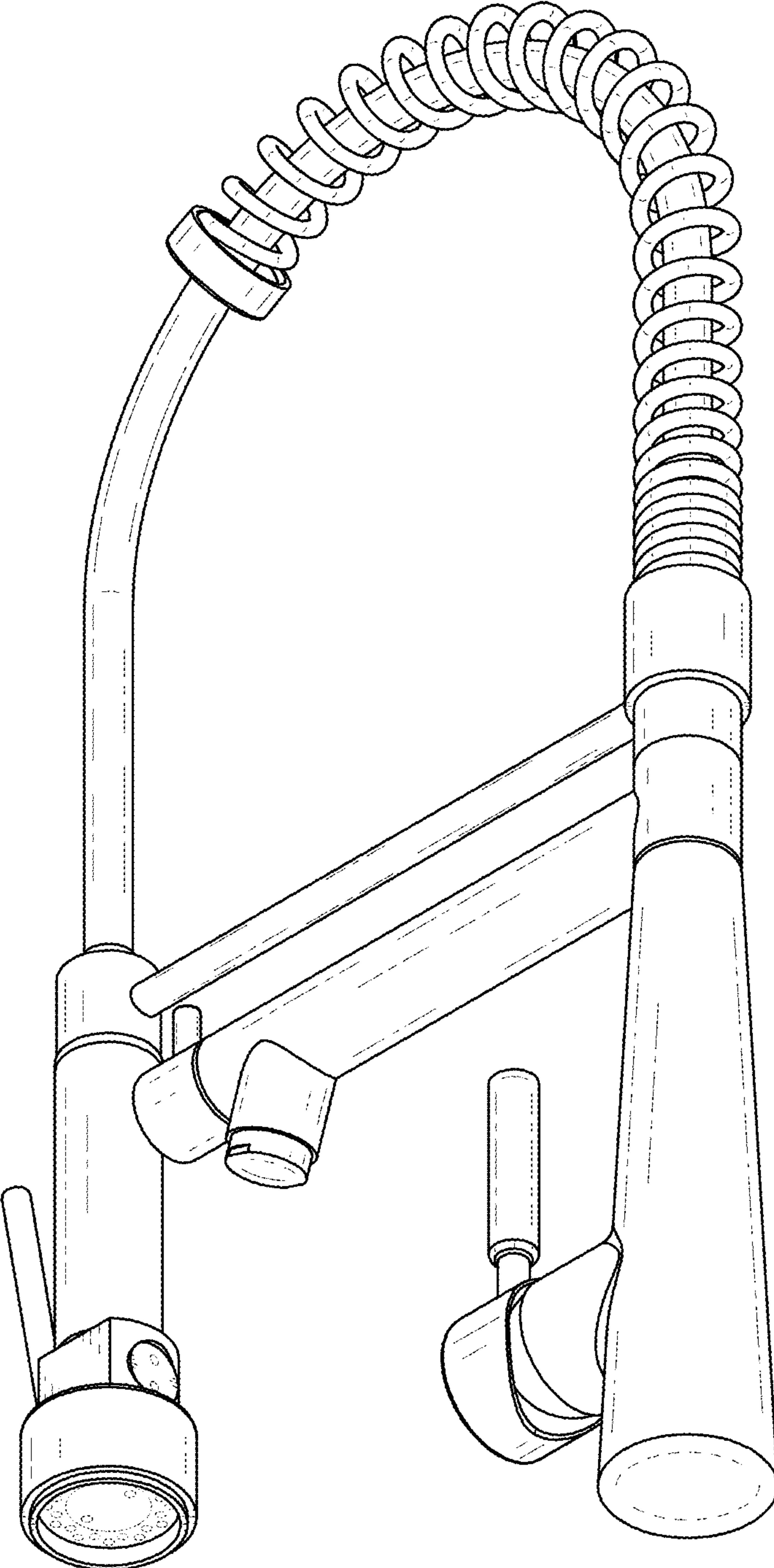


FIG. 8