



US00D862646S

(12) **United States Design Patent** (10) **Patent No.:** **US D862,646 S**
Jørgensen et al. (45) **Date of Patent:** **** Oct. 8, 2019**

(54) **GAS REGULATOR**

(56) **References Cited**

(71) Applicant: **MICRO MATIC A/S**, Odense SV (DK)

U.S. PATENT DOCUMENTS

(72) Inventors: **Michael Jørgensen**, Odense SV (DK);
Benny Dahl, Odense SV (DK); **Morten Helvig Larsen**, Odense SV (DK)

D378,283 S *	3/1997	Diehl	D10/85
D607,355 S *	1/2010	Horner	D10/85
D633,986 S *	3/2011	Ito	D23/233
D635,644 S *	4/2011	Yamada	D23/233
D713,007 S *	9/2014	Boyer	D23/235
D760,871 S *	7/2016	Boyer	D23/233
D811,252 S *	2/2018	Boyer	D10/85
D811,253 S *	2/2018	Boyer	D10/85
D820,955 S *	6/2018	Ito	D23/235
D820,956 S *	6/2018	Ito	D23/235

(73) Assignee: **MICRO MATIC A/S**, Odense SV (DK)

(**) Term: **15 Years**

* cited by examiner

(21) Appl. No.: **29/639,176**

Primary Examiner — Cynthia Ramirez

Assistant Examiner — Gino Colan

(22) Filed: **Mar. 5, 2018**

(74) *Attorney, Agent, or Firm* — Nixon & Vanderhye P.C.

(30) **Foreign Application Priority Data**

(57) **CLAIM**

Sep. 8, 2017 (EM) 004246924

The ornamental design for a gas regulator, as shown and described.

(51) **LOC (12) Cl.** **23-01**

DESCRIPTION

(52) **U.S. Cl.**
USPC **D23/235**

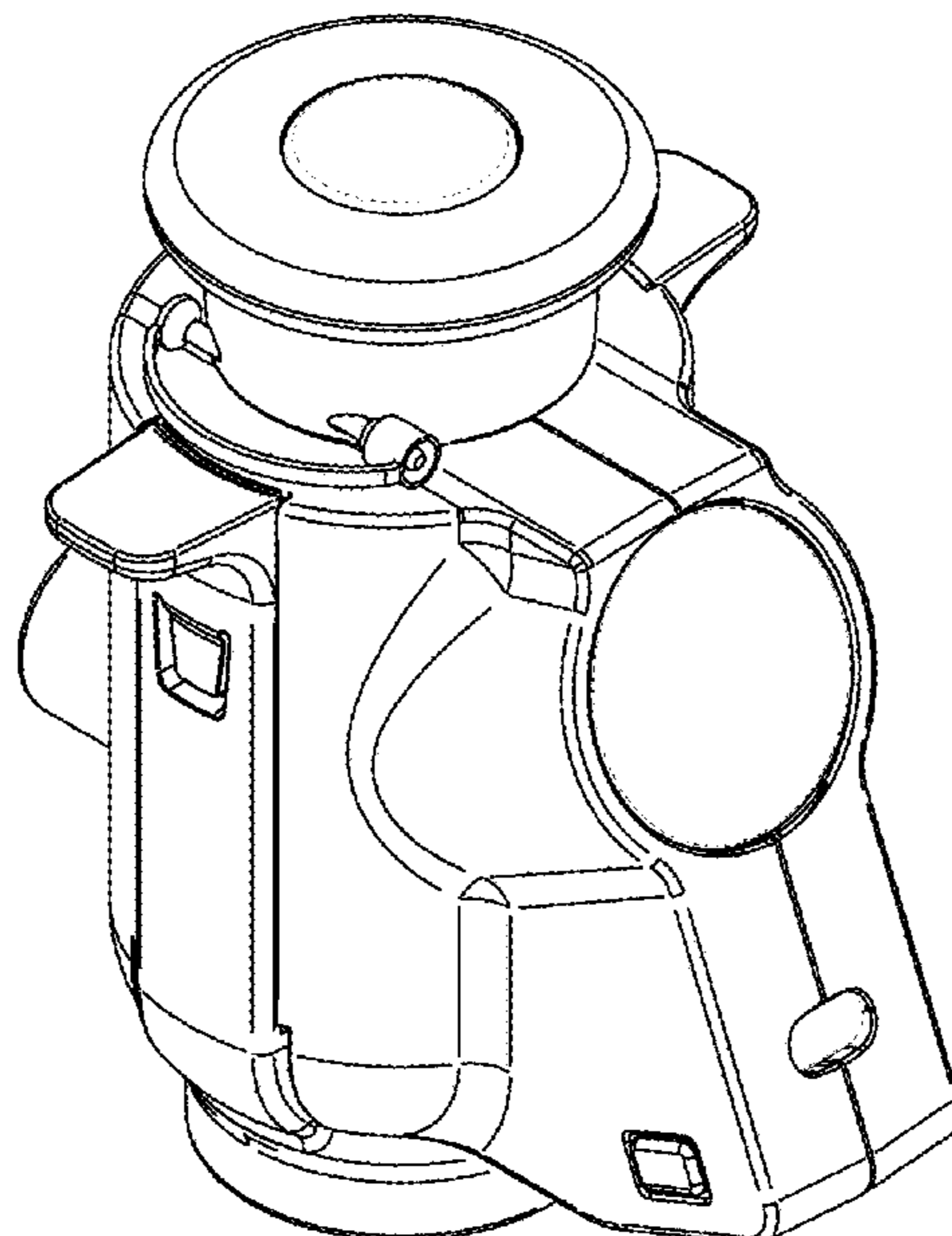
(58) **Field of Classification Search**
USPC D23/233-235, 237, 241-249; 137/15.19,
137/488, 505.11, 315.04; 251/285;
D10/85
CPC F17C 2205/0338; F17C 2205/0332; F17C
2223/035; F17C 2250/043; F17C
2250/0626; F17C 2205/0323; F17C
2221/013; F17C 2221/014; F17C
2227/0309; F16K 17/02; F16K 47/08

FIG. 1 is a front perspective view of a gas regulator showing our new design;
FIG. 2 is a rear perspective thereof;
FIG. 3 is a right side view thereof;
FIG. 4 is a rear view thereof;
FIG. 5 is a front view thereof; and,
FIG. 6 is a top view thereof.

The broken lines shown in the figures are included for the purpose of illustrating portions of the gas regulator and form no part of the claimed design.

See application file for complete search history.

1 Claim, 6 Drawing Sheets



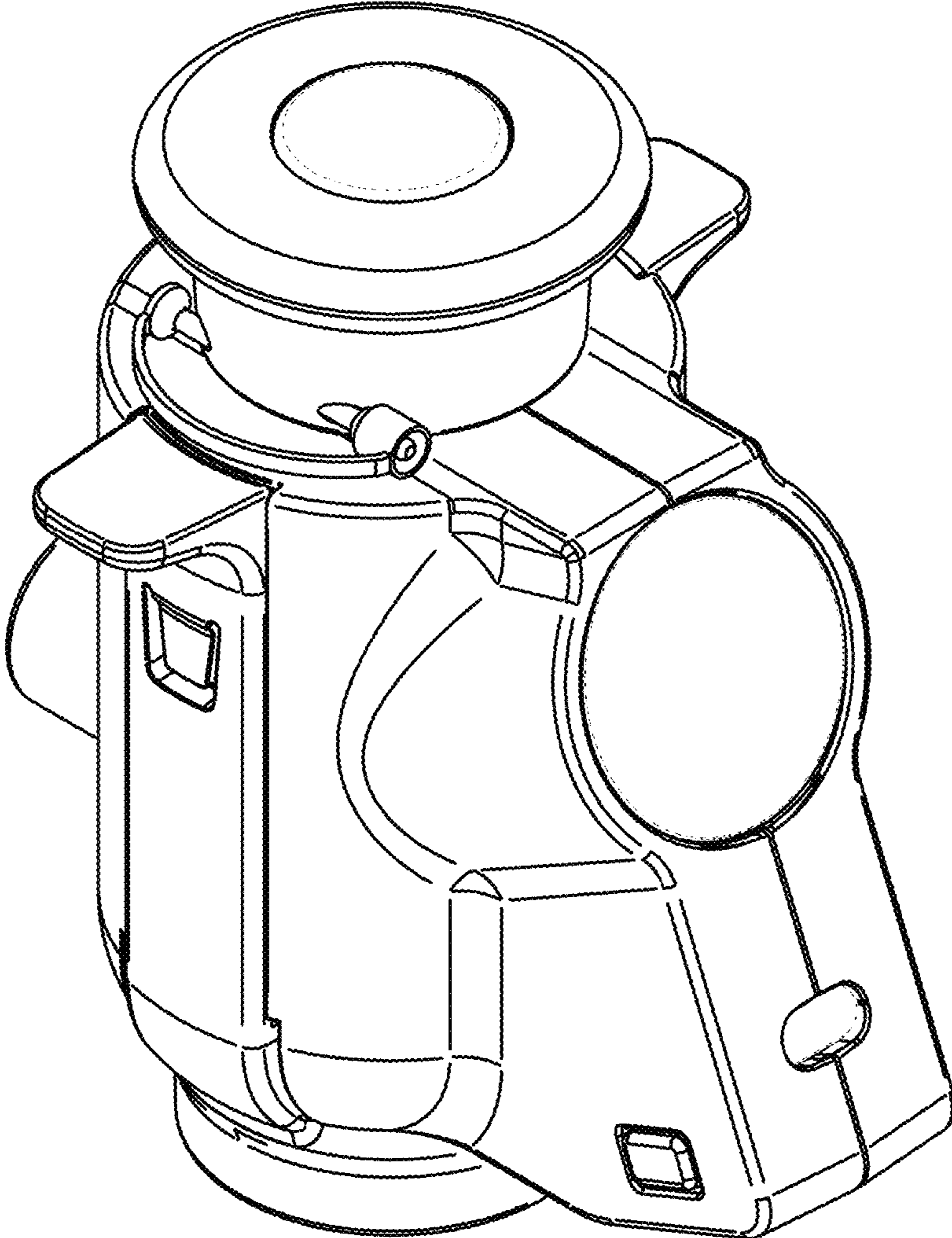


FIG. 1

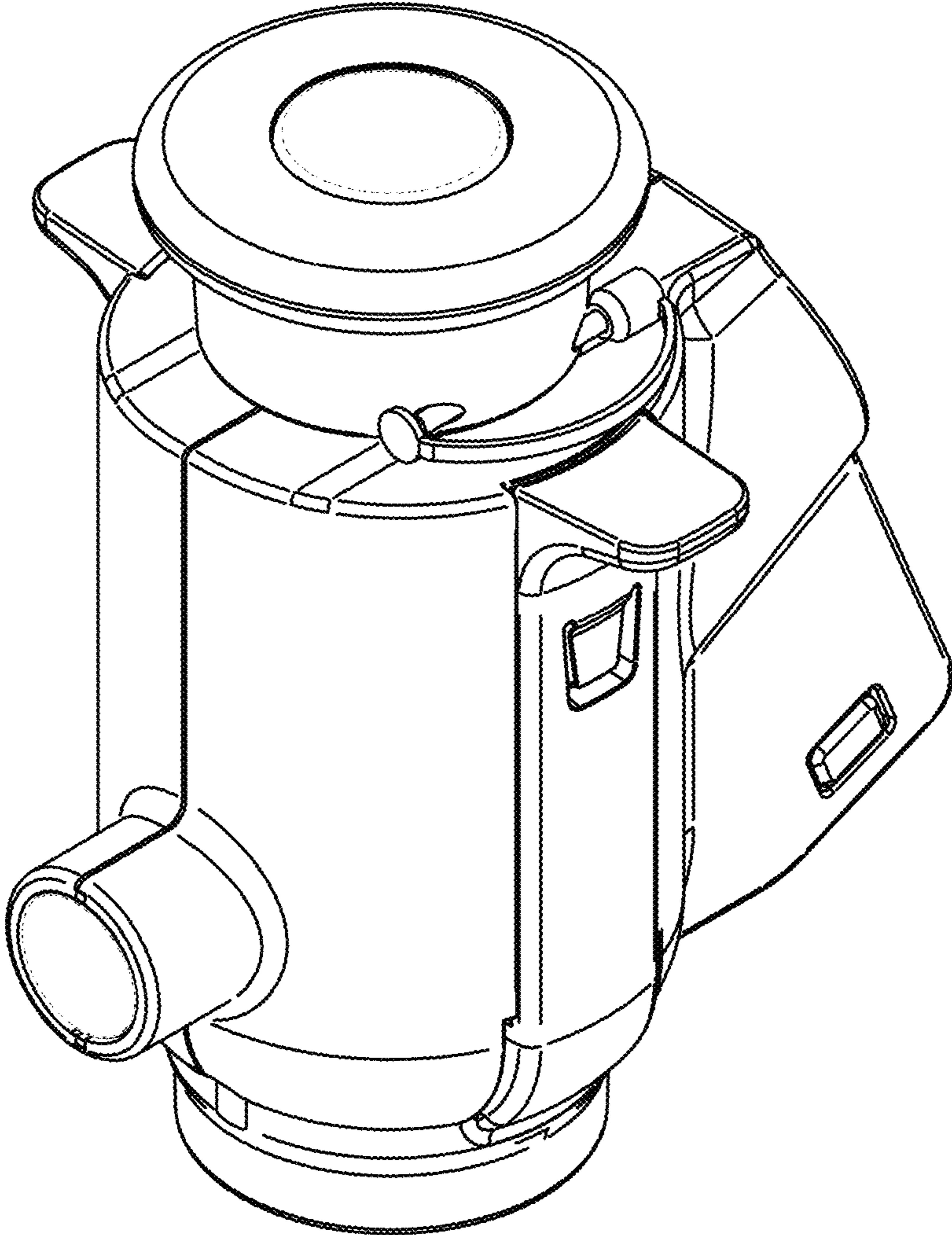


FIG. 2

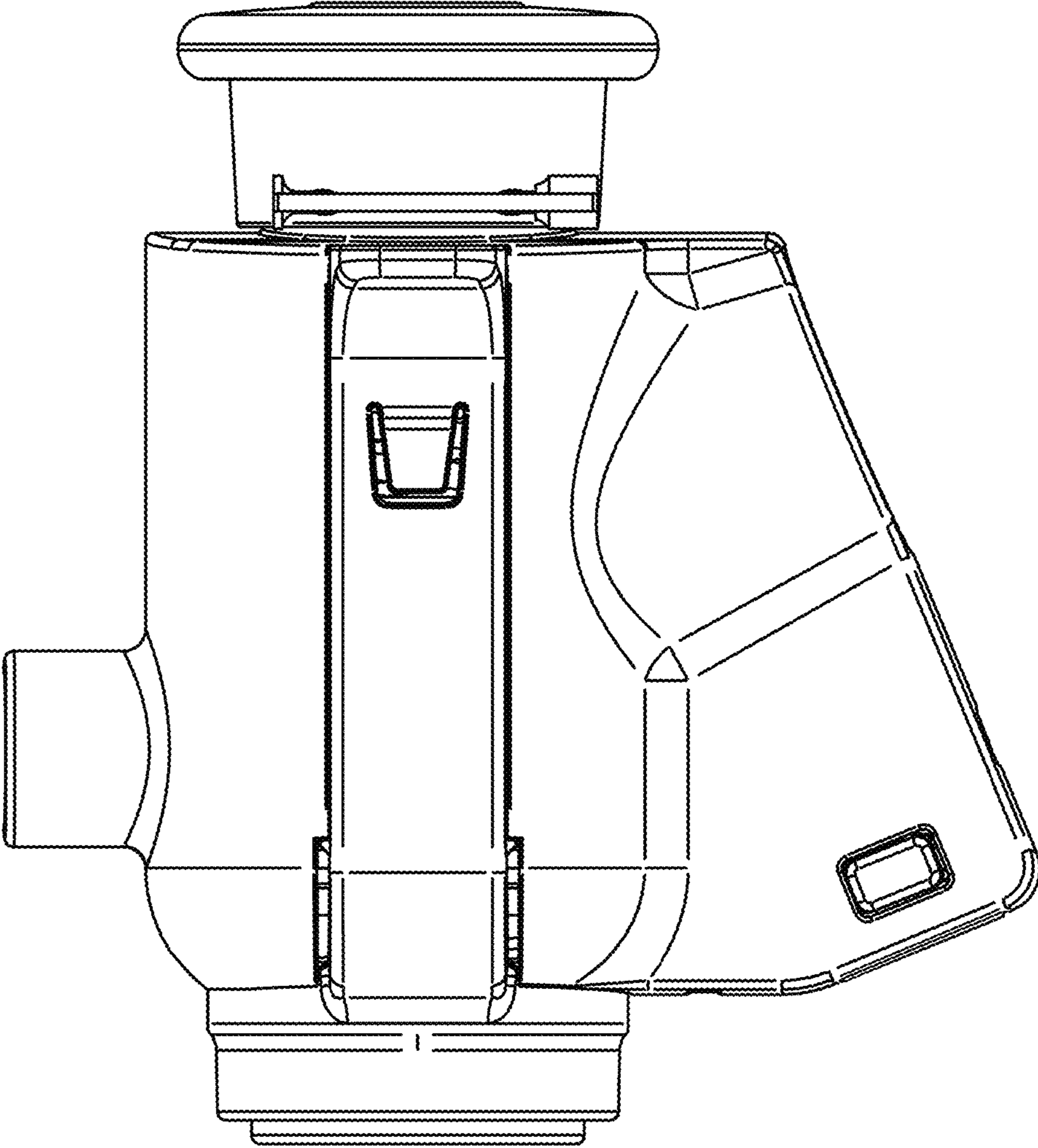


FIG. 3

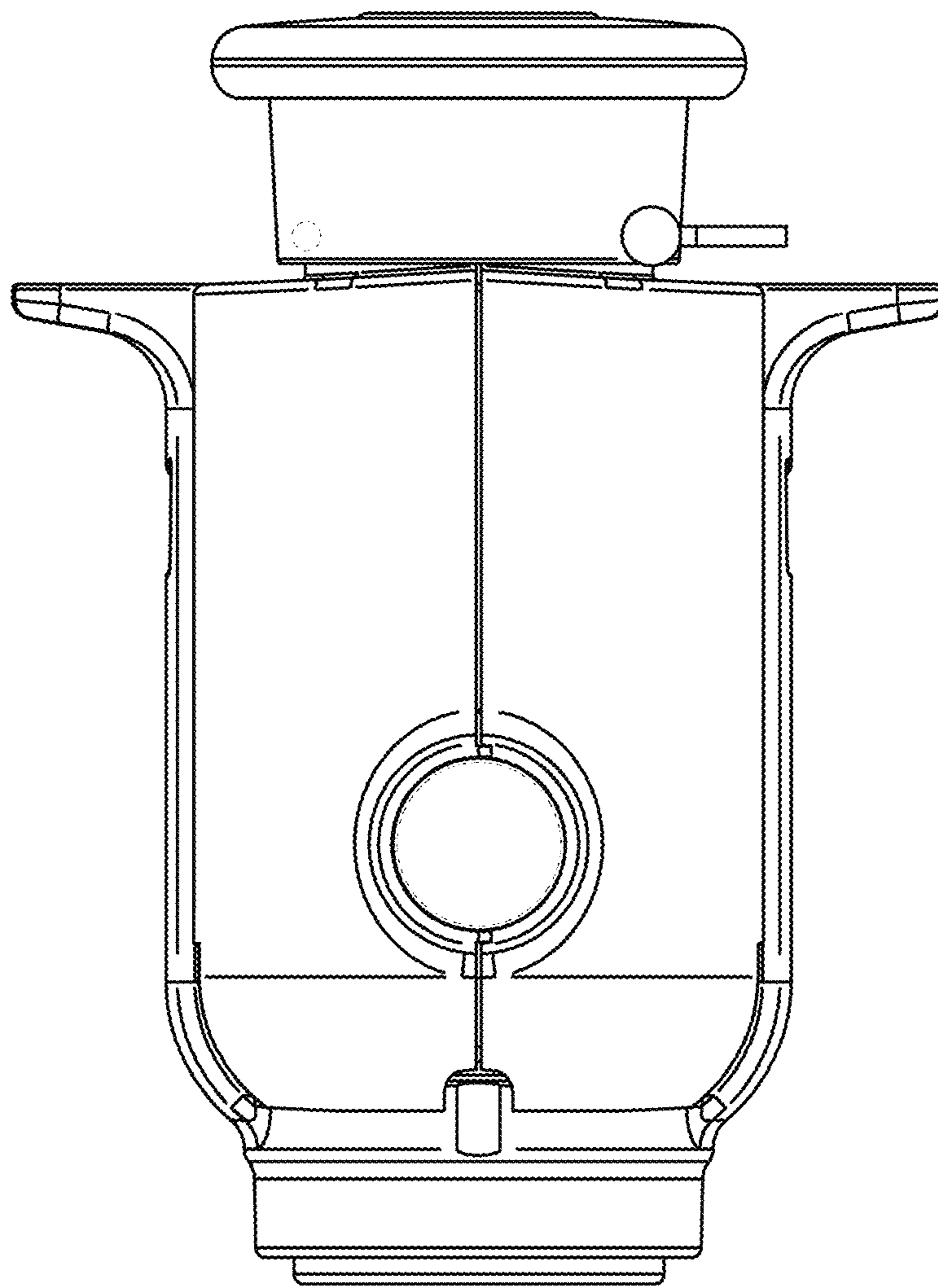


FIG. 4

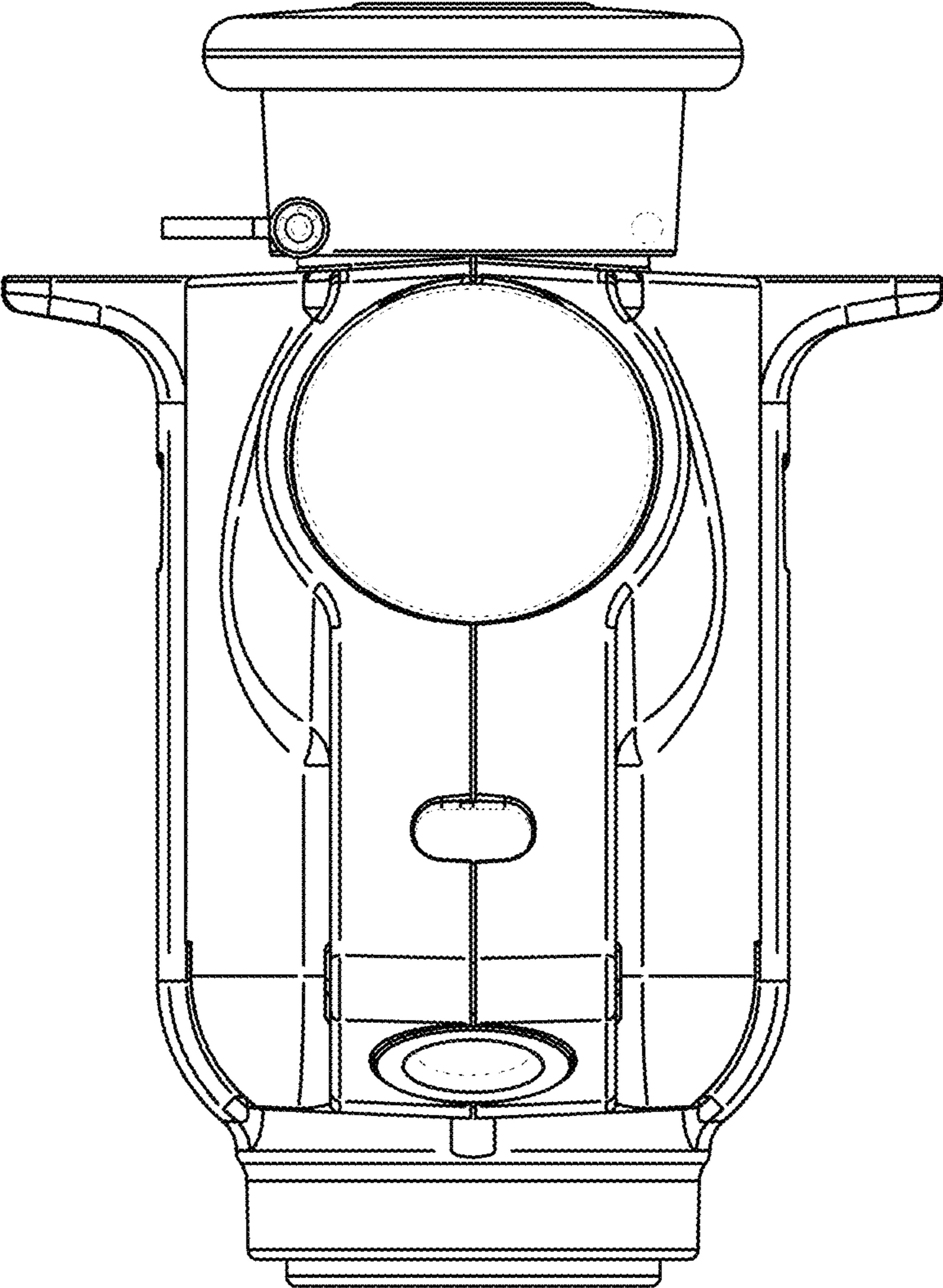


FIG. 5

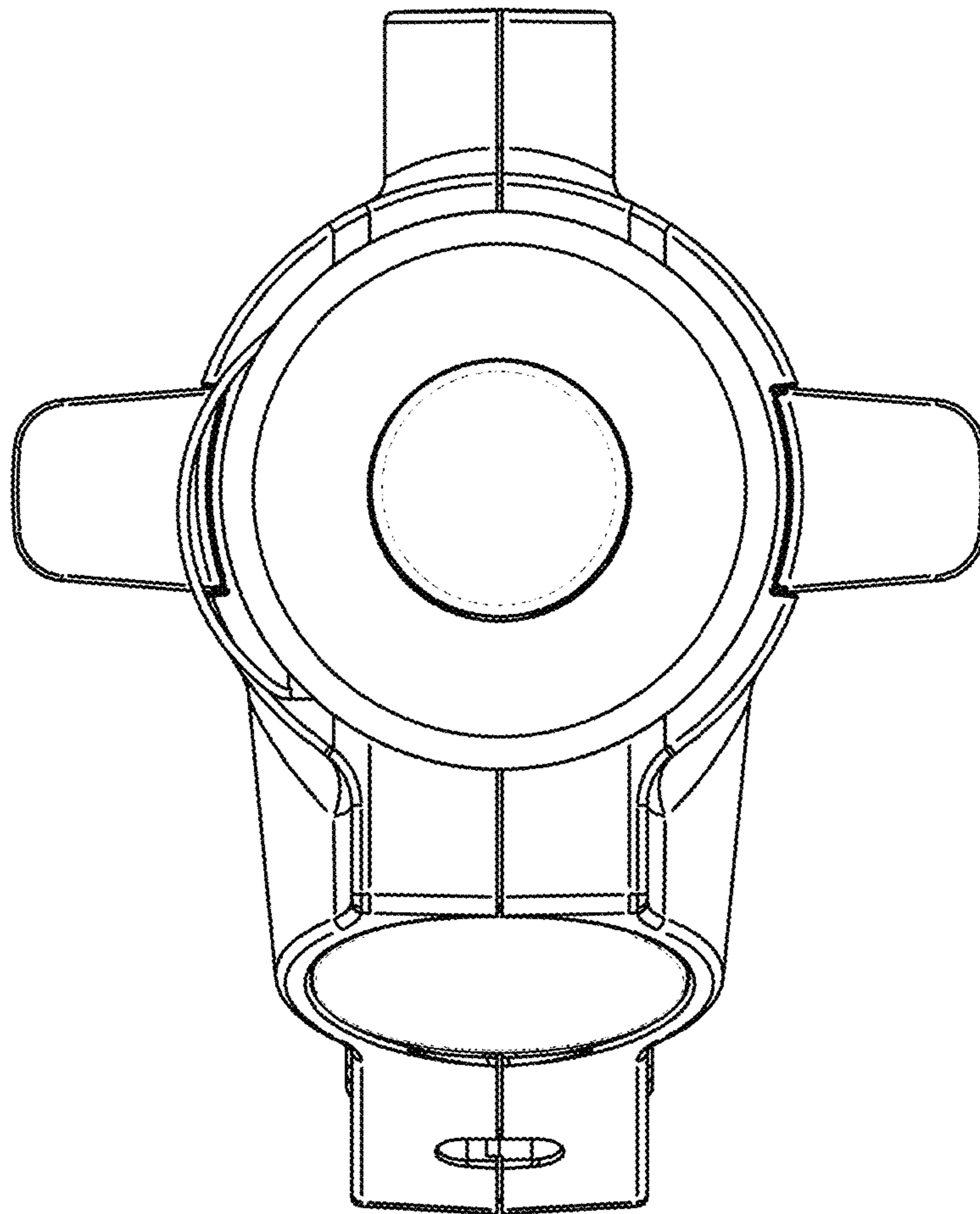


FIG. 6