



US00D862645S

(12) **United States Design Patent** (10) **Patent No.:** **US D862,645 S**
Jørgensen et al. (45) **Date of Patent:** **** *Oct. 8, 2019**

(54) **GAS REGULATOR**

(71) Applicant: **MICRO MATIC A/S**, Odense SV (DK)

(72) Inventors: **Michael Jørgensen**, Odense SV (DK); **Benny Dahl**, Odense SV (DK); **Morten Helvig Larsen**, Odense SV (DK)

(73) Assignee: **MICRO MATIC A/S**, Odense SV (DK)

(*) Notice: This patent is subject to a terminal disclaimer.

(**) Term: **15 Years**

(21) Appl. No.: **29/639,175**

(22) Filed: **Mar. 5, 2018**

(30) **Foreign Application Priority Data**

Sep. 8, 2017 (EM) 004246924

(51) **LOC (12) Cl.** **23-01**

(52) **U.S. Cl.**
USPC **D23/235**

(58) **Field of Classification Search**
USPC D23/233–235, 237, 241–249; 137/15.19, 137/488, 505.11, 315.04; 251/285
CPC F17C 2205/0338; F17C 2205/0332; F17C 2223/035; F17C 2250/043; F17C 2250/0626; F17C 2205/0323; F17C 2221/013; F17C 2221/014; F17C 2227/0309; F16K 17/02; F16K 47/08
See application file for complete search history.

(56) **References Cited**

U.S. PATENT DOCUMENTS

D378,283 S * 3/1997 Diehl D10/85
D607,355 S * 1/2010 Horner D10/85

D633,986 S * 3/2011 Ito D23/233
D635,644 S * 4/2011 Yamada D23/233
D713,007 S * 9/2014 Boyer D23/235
D760,871 S * 7/2016 Boyer D23/233
D811,252 S * 2/2018 Boyer D10/85
D811,253 S * 2/2018 Boyer D10/85
D820,955 S * 6/2018 Ito D23/235
D820,956 S * 6/2018 Ito D23/235

* cited by examiner

Primary Examiner — Cynthia Ramirez

Assistant Examiner — Gino Colan

(74) *Attorney, Agent, or Firm* — Nixon & Vanderhye P.C.

(57) **CLAIM**

The ornamental design for a gas regulator, as shown and described.

DESCRIPTION

The patent or application file contains at least one drawing executed in color. Copies of this patent or patent application publication with color drawing(s) will be provided by the Office upon request and payment of the necessary fee.

FIG. 1 is a perspective view of a gas regulator according to our new ornamental design;

FIG. 2 is a front view thereof;

FIG. 3 is a rear view thereof;

FIG. 4 is a right side view thereof

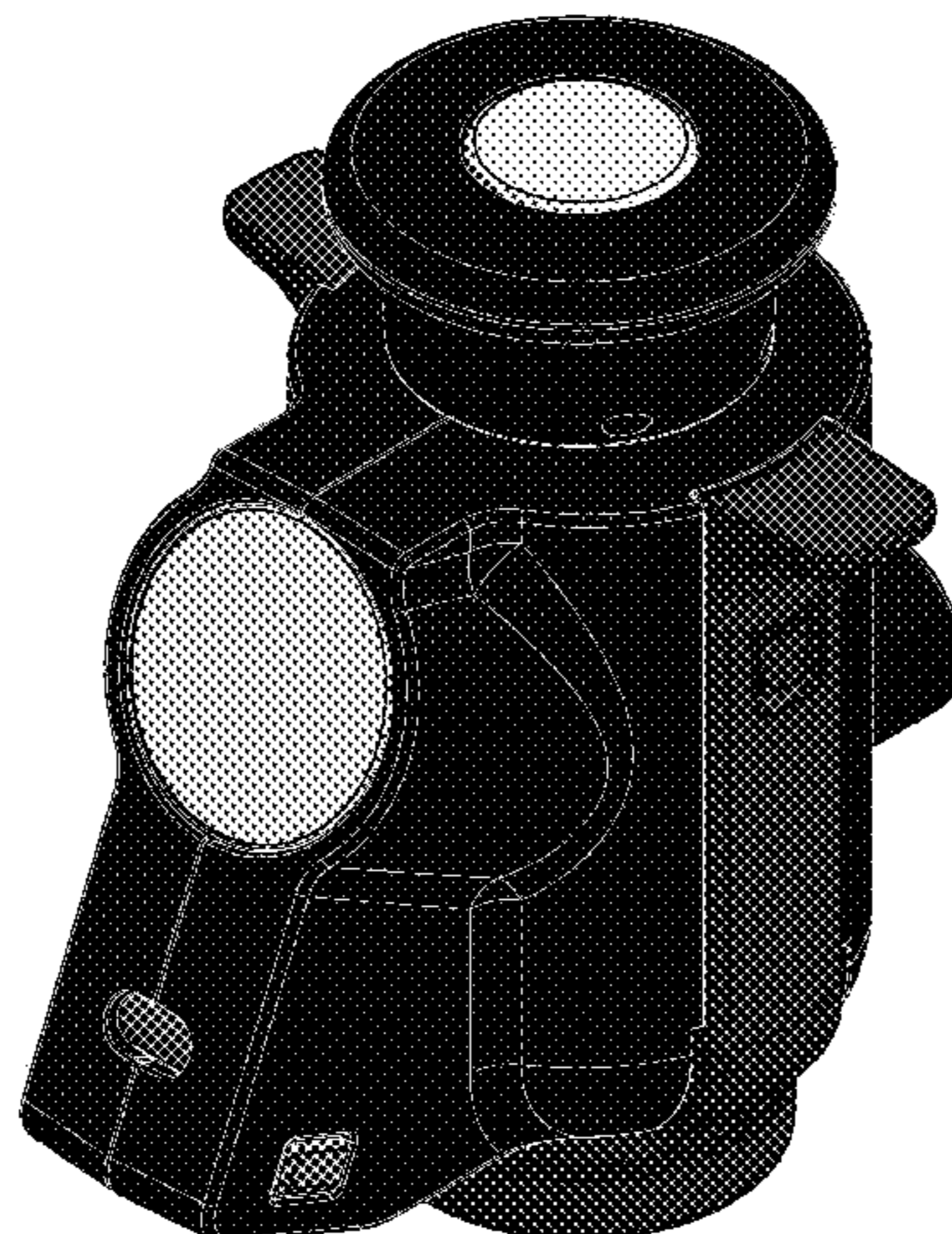
FIG. 5 is a left side view thereof;

FIG. 6 is a top view thereof; and,

FIG. 7 is a bottom view thereof.

The broken lines shown in the figures are included for the purpose of illustrating portions of the gas regulator and form no part of the claimed design.

1 Claim, 7 Drawing Sheets
(7 of 7 Drawing Sheet(s) Filed in Color)



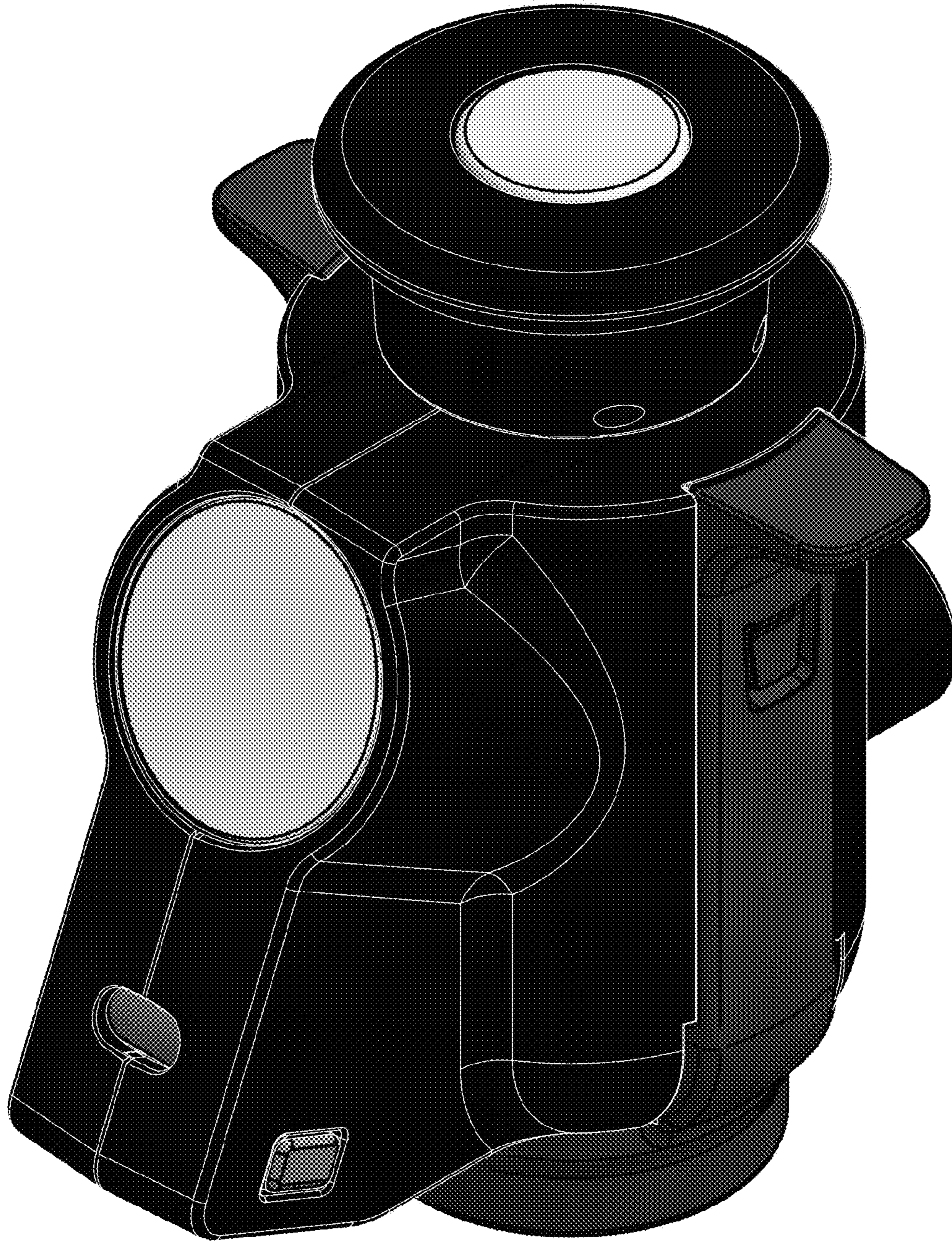


FIG. 1

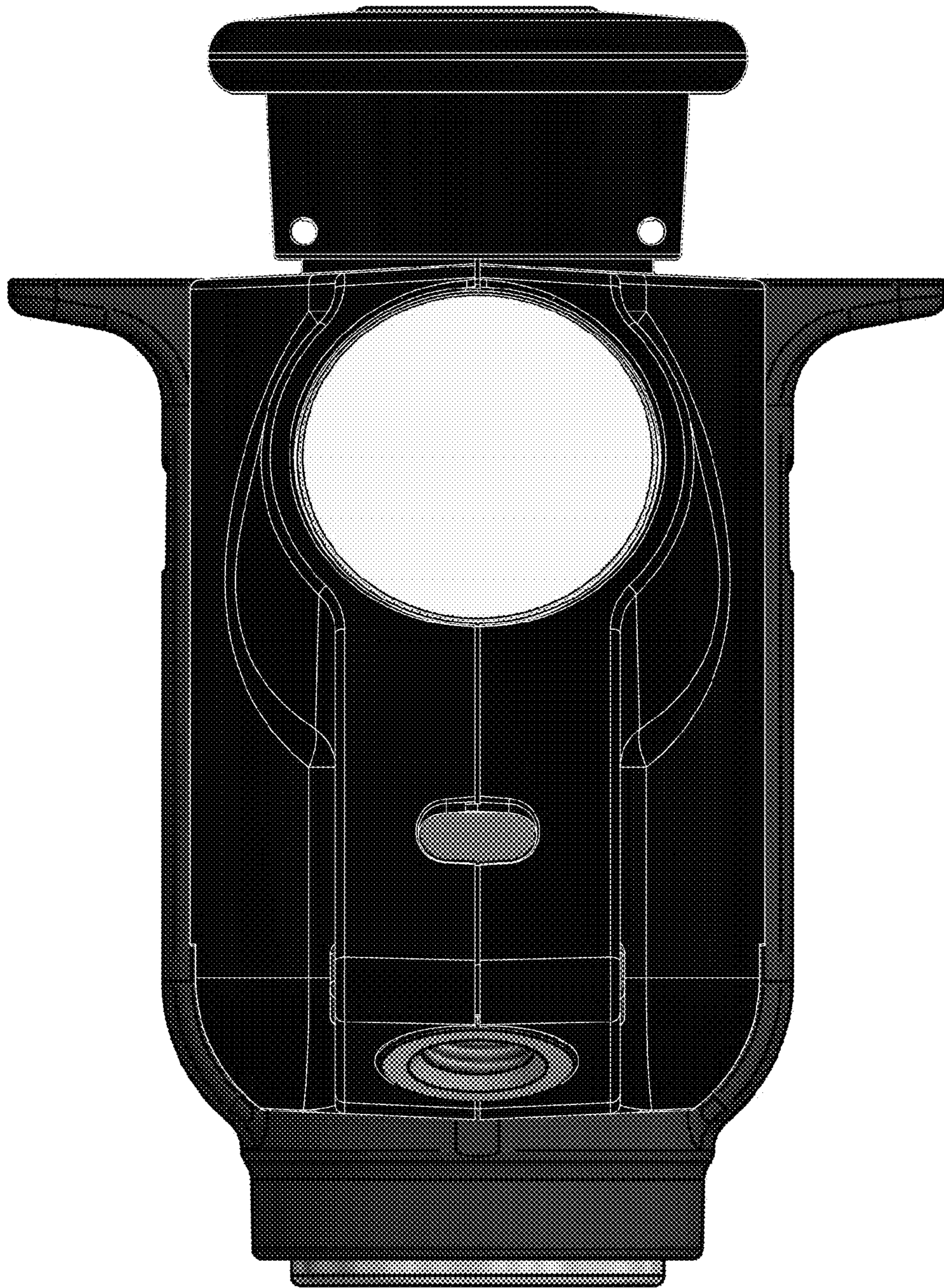


FIG. 2

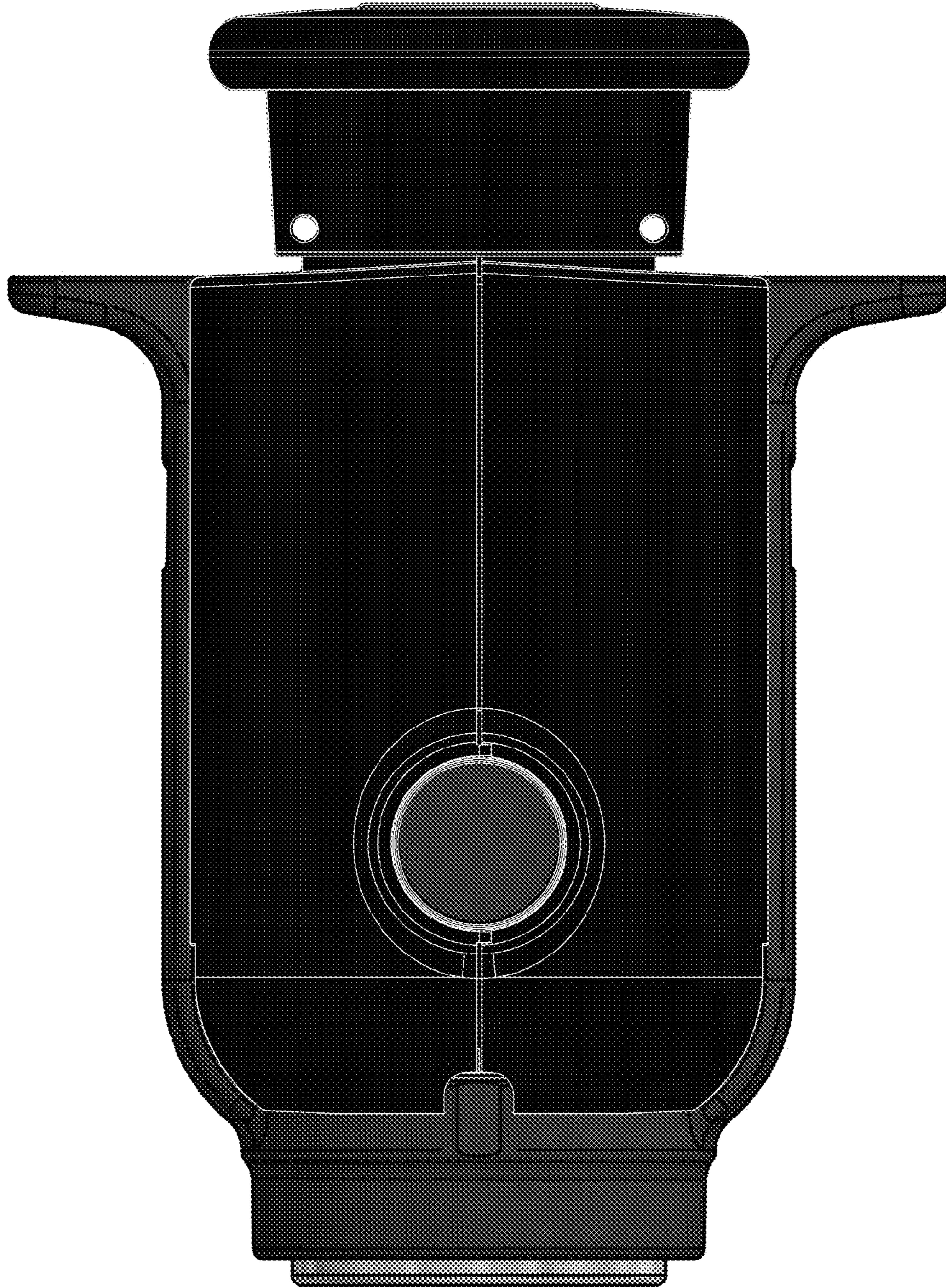


FIG. 3

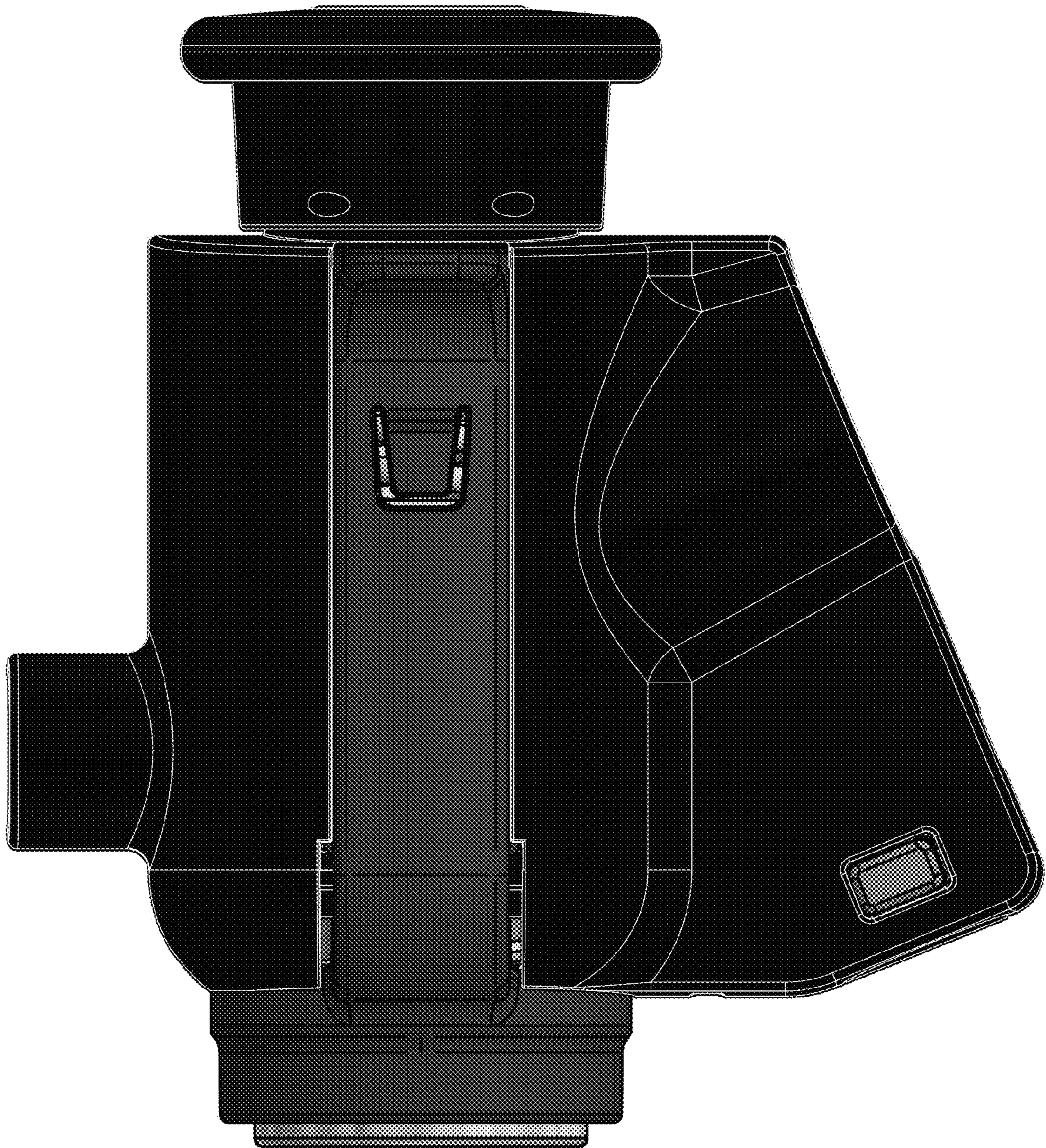


FIG. 4



FIG. 5

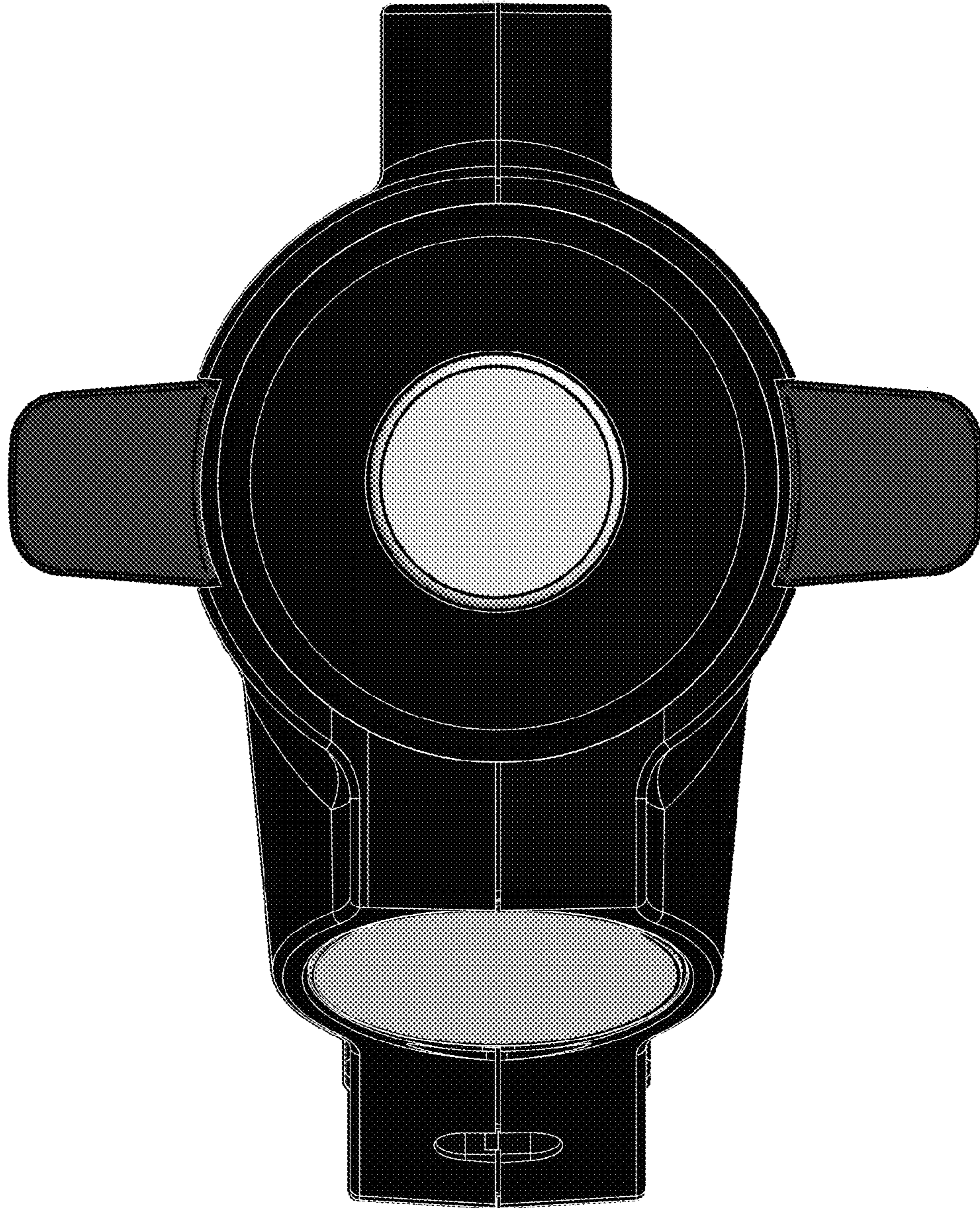


FIG. 6



FIG. 7