



US00D862644S

(12) **United States Design Patent**
Qiu et al.

(10) **Patent No.:** **US D862,644 S**

(45) **Date of Patent:** **** Oct. 8, 2019**

- (54) **THERMAL BYPASS VALVE** 6,719,208 B2 * 4/2004 Brown F01M 5/007
236/34.5
- (71) Applicant: **Zhejiang Sanhua Automotive Components Co., Ltd.**, Hangzhou, Zhejiang (CN) 6,935,569 B2 * 8/2005 Brown F01M 5/007
236/34.5
- (72) Inventors: **Haoming Qiu**, Zhejiang (CN); **Zhiyong Liao**, Zhejiang (CN); **Xiaodan Lv**, Zhejiang (CN) 7,299,994 B2 * 11/2007 Brown F01M 5/007
236/34.5
- (73) Assignee: **Zhejiang Sanhua Automotive Components Co., Ltd.**, Hangzhou, Zhejiang (CN) 9,541,211 B2 * 1/2017 Qiu G05D 23/1333
9,650,770 B2 * 5/2017 Peel F17D 1/00
9,772,632 B1 * 9/2017 Ihns G05D 23/1333
10,007,281 B2 * 6/2018 Qiu F16K 11/044
2006/0016900 A1 * 1/2006 Brown F01M 5/007
236/34.5

* cited by examiner

(**) Term: **15 Years**

Primary Examiner — Cynthia Ramirez

Assistant Examiner — Gino Colan

(21) Appl. No.: **29/614,340**

(74) *Attorney, Agent, or Firm* — Wolf, Greenfield & Sacks, P.C.

(22) Filed: **Aug. 17, 2017**

(30) **Foreign Application Priority Data**

Jun. 29, 2017 (CN) 2017 3 0278893

(51) **LOC (12) Cl.** **23-01**

(52) **U.S. Cl.**
USPC **D23/233**

(58) **Field of Classification Search**
USPC D23/233–237, 240–249; 137/884, 597,
137/606, 625.64, 883, 596.16, 602, 605;
236/34.5

CPC F16H 57/0413; F16H 57/0412; F16H
57/0415; F16K 31/002; F16K 11/0716;
F16K 17/003; G05D 23/134; G05D
23/022

See application file for complete search history.

(56) **References Cited**

U.S. PATENT DOCUMENTS

- D270,752 S * 9/1983 Gorans D23/248
- 6,499,666 B1 * 12/2002 Brown F01M 5/007
236/34.5

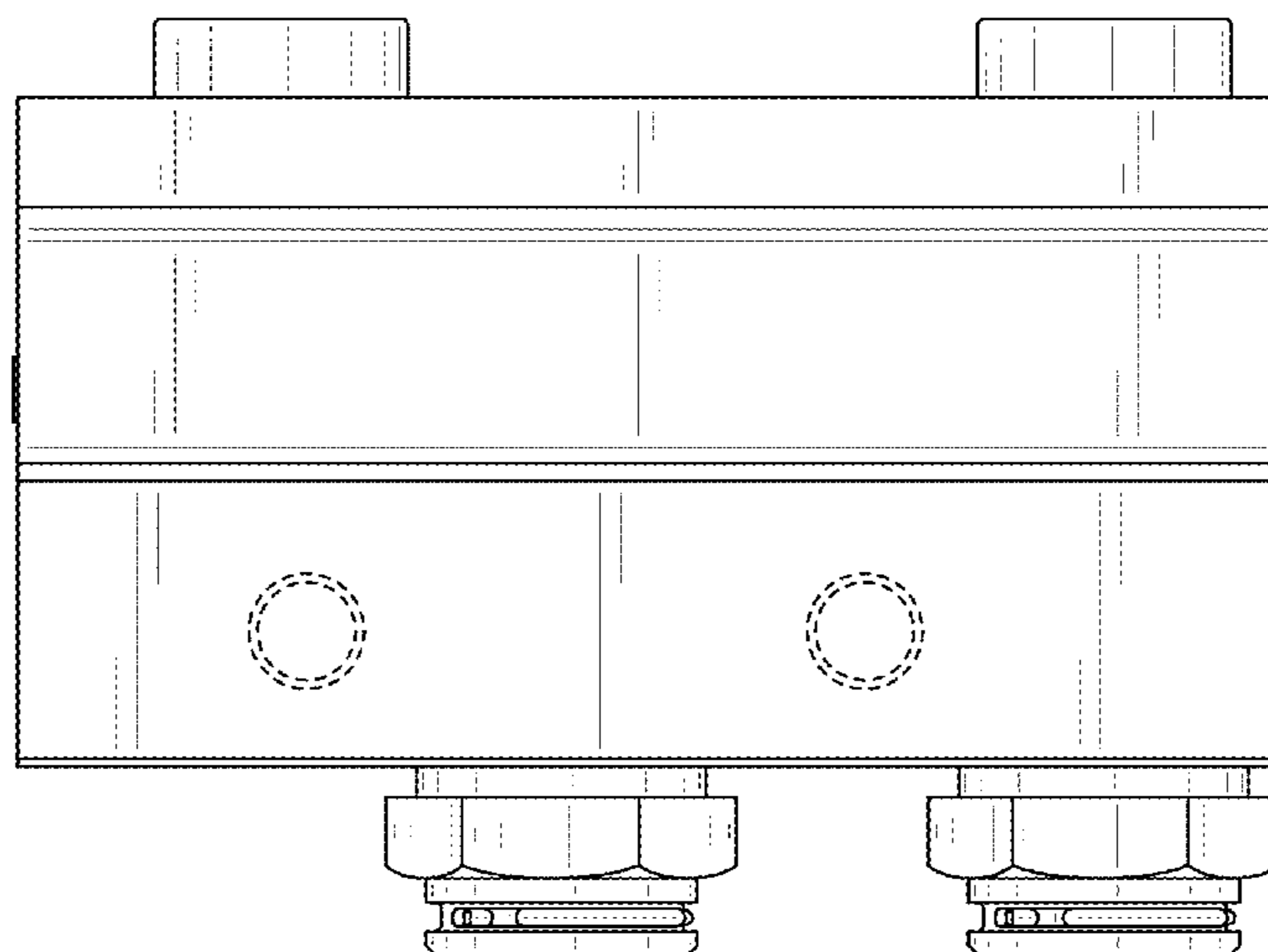
(57) **CLAIM**

The ornamental design for a thermal bypass valve, as shown and described.

DESCRIPTION

FIG. 1 is a front view of a thermal bypass valve;
FIG. 2 is a rear view thereof;
FIG. 3 is a left view thereof;
FIG. 4 is a right view thereof;
FIG. 5 is a top view thereof;
FIG. 6 is a bottom view thereof; and,
FIG. 7 is a perspective view thereof.
The broken lines in the drawings depict portions of the thermal bypass valve that form no part of the claimed design.

1 Claim, 7 Drawing Sheets



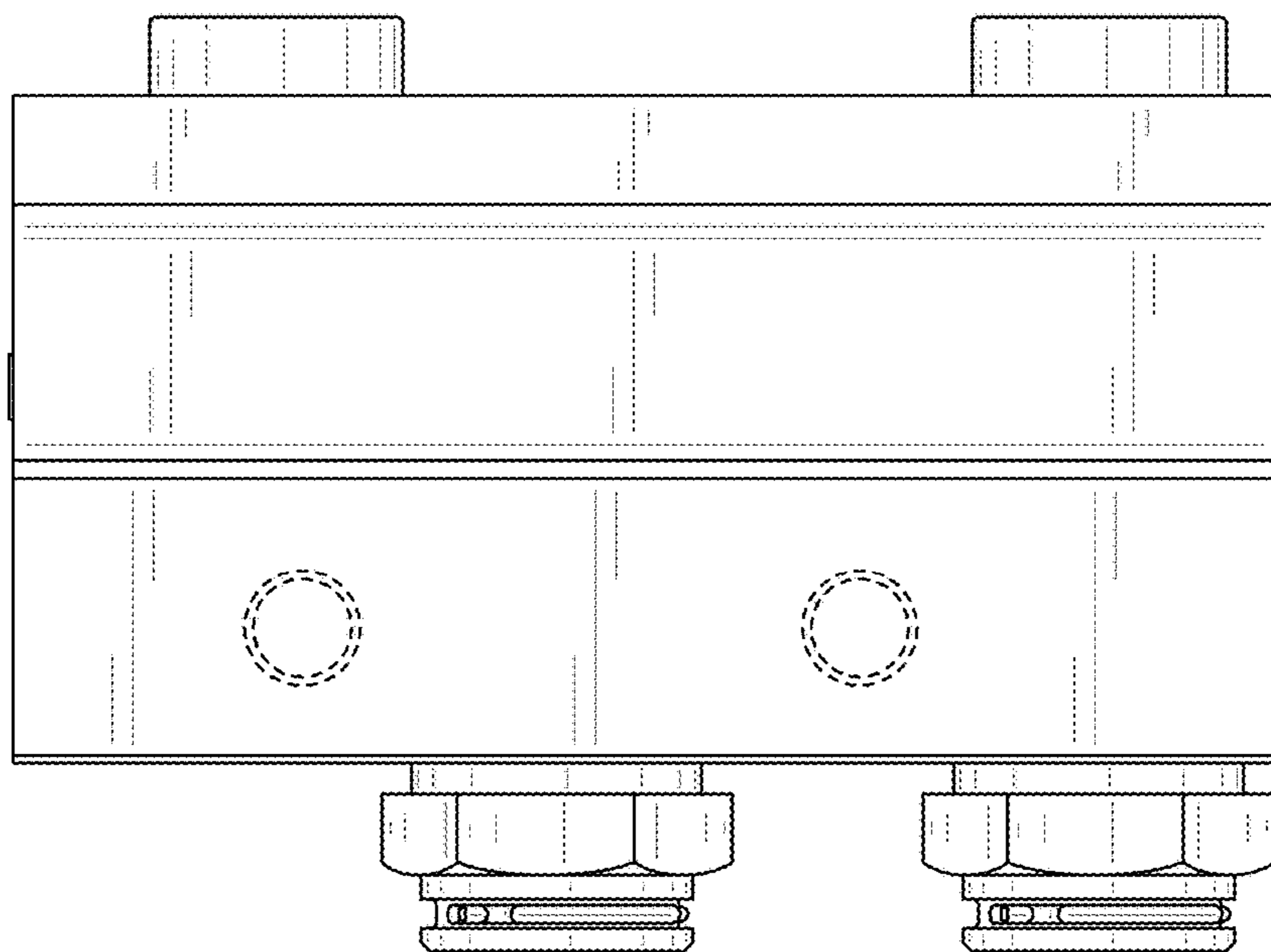


FIG. 1

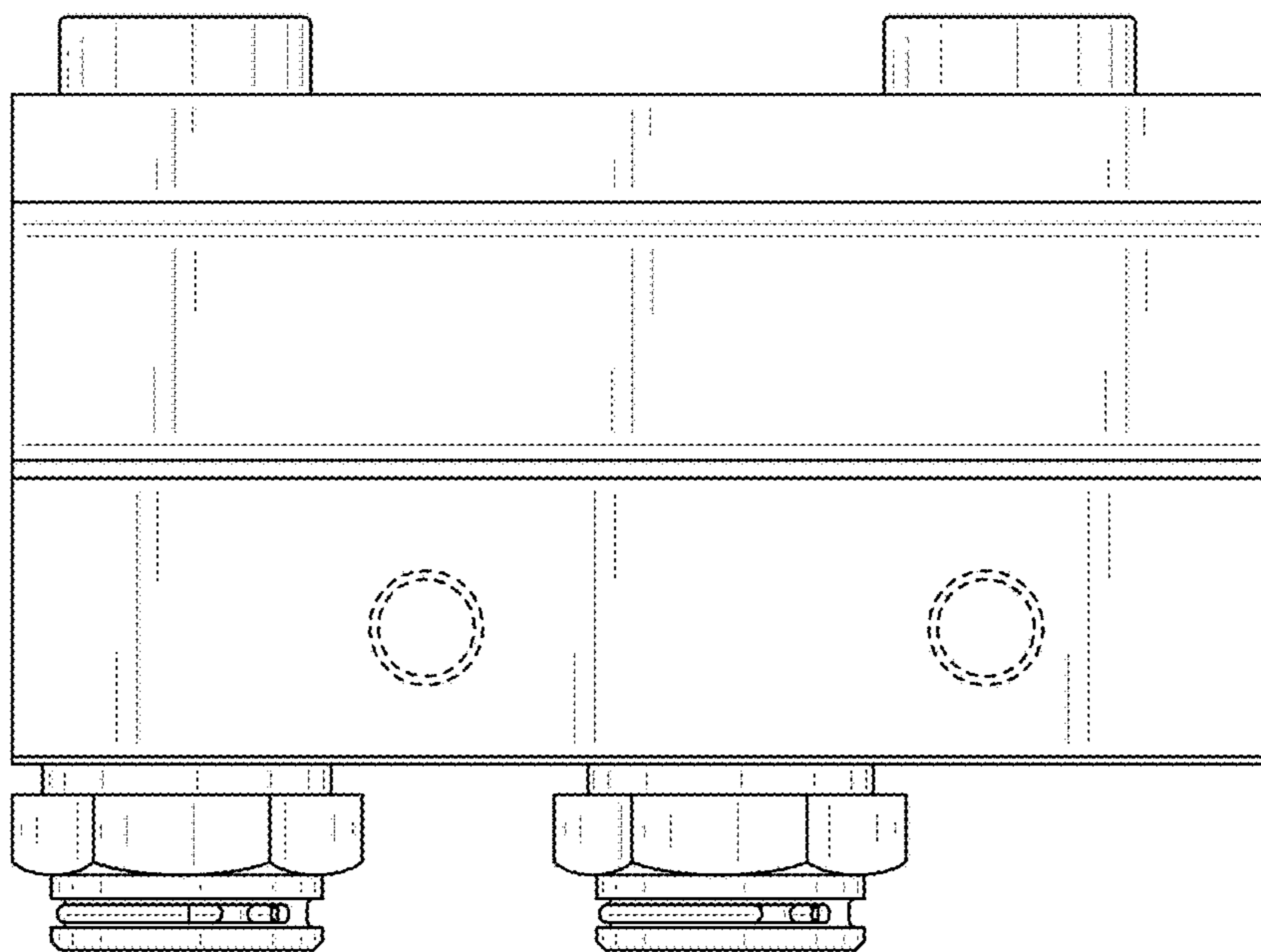


FIG. 2

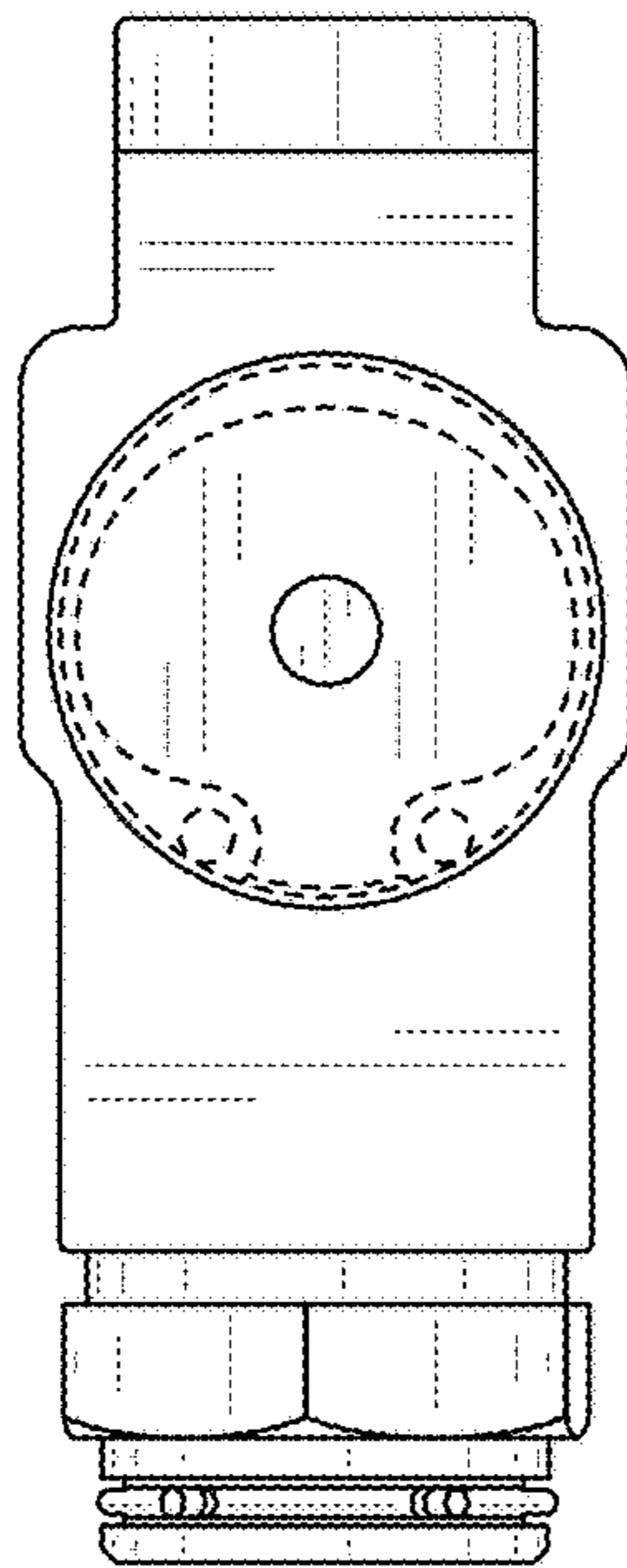


FIG. 3

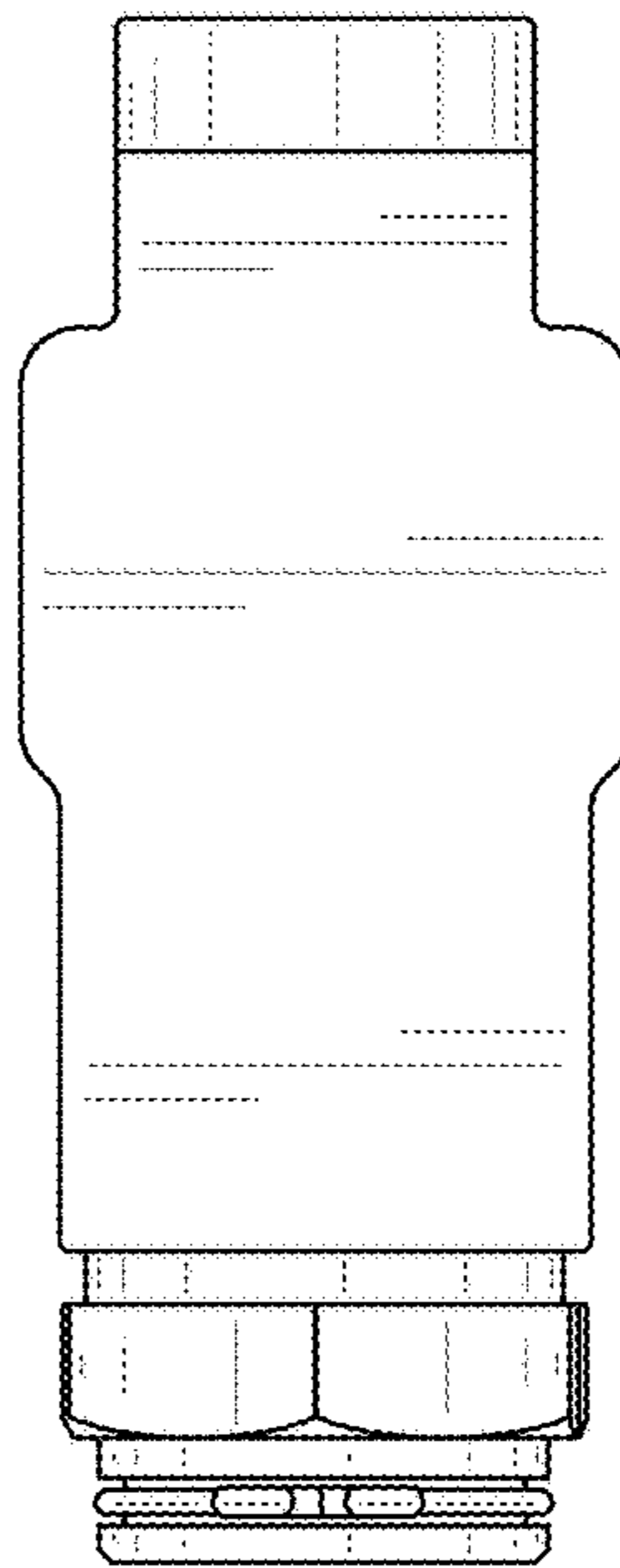


FIG. 4

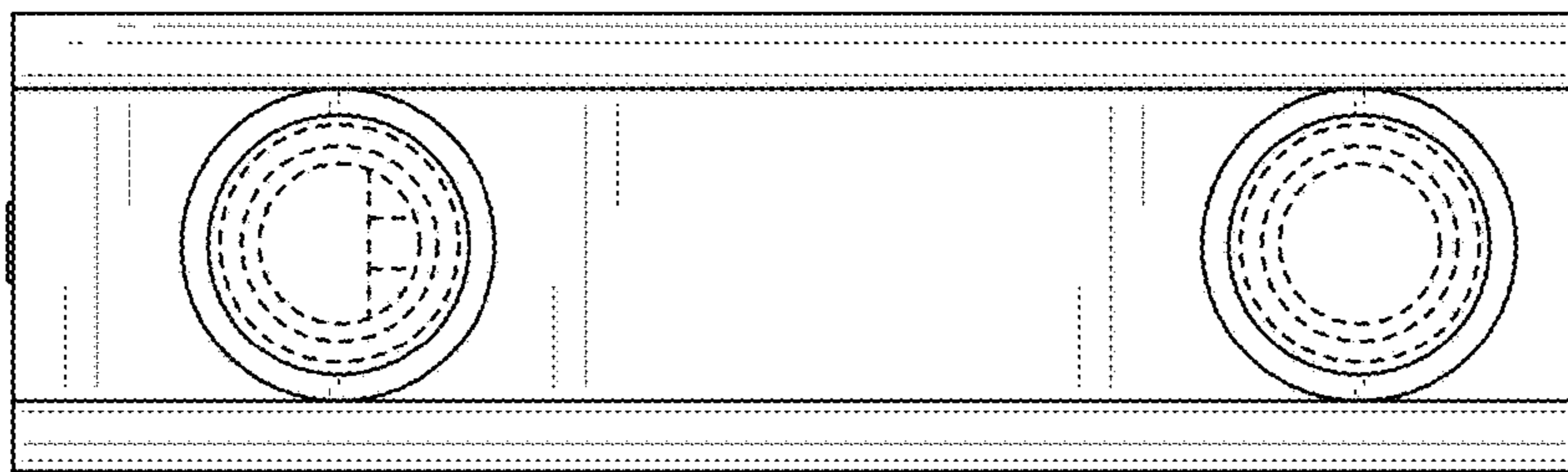


FIG. 5

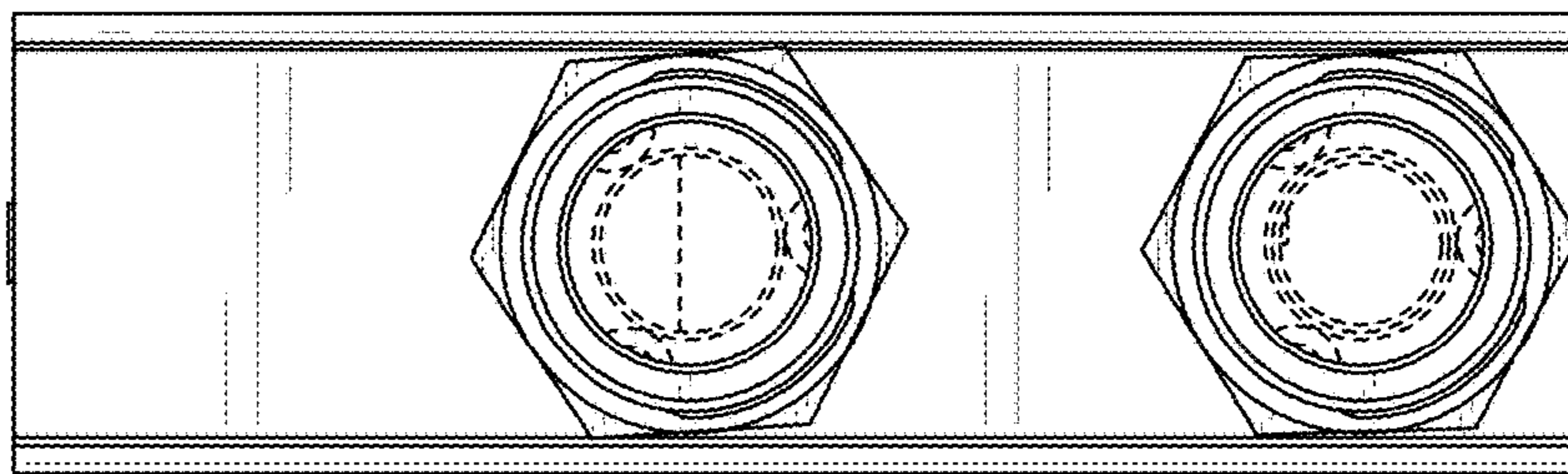


FIG. 6

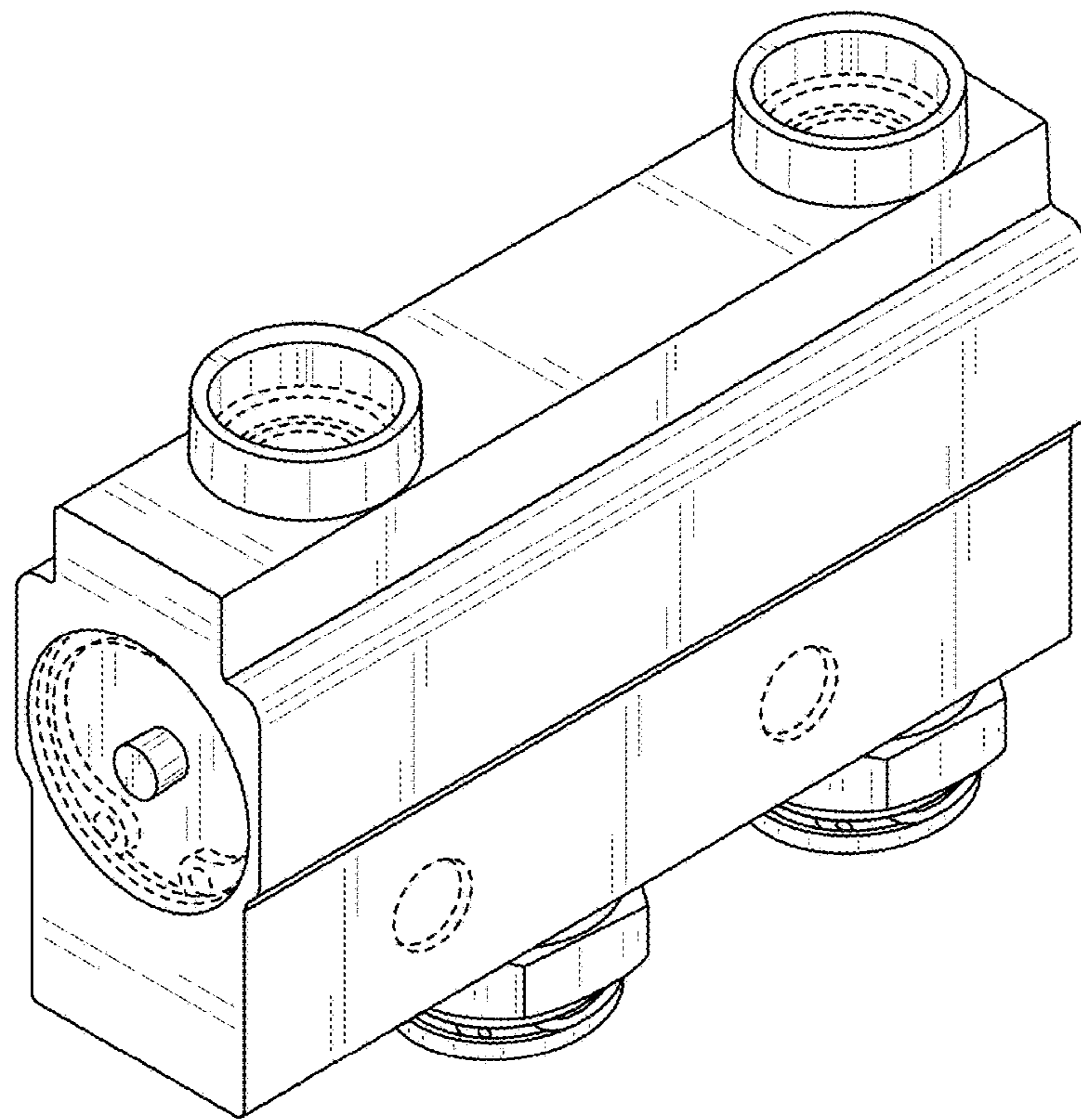


FIG. 7