

US00D862642S

(12) **United States Design Patent**
Frenal et al.

(10) **Patent No.:** **US D862,642 S**

(45) **Date of Patent:** **** Oct. 8, 2019**

(54) **FLUID VALVE**

(71) Applicant: **L’Air Liquide, Société Anonyme pour l’Etude et l’Exploitation des Procédés Georges Claude, Paris (FR)**

(72) Inventors: **Antoine Frenal, Versailles (FR); Olivier Ondo Ndong, Rosny-sur-Seine (FR); Stéphane Etienne, Draveil (FR); Alexandre Vanghelder, Evreux (FR); Antoine Gibert, Paris (FR)**

(73) Assignee: **L’Air Liquide, Société Anonyme pour l’Etude et l’Exploitation des Procédés Georges Claude, Paris (FR)**

(**) Term: **15 Years**

(21) Appl. No.: **29/585,604**

(22) Filed: **Nov. 28, 2016**

(30) **Foreign Application Priority Data**

May 27, 2016 (EM) 003156777

(51) **LOC (12) Cl.** **23-01**

(52) **U.S. Cl.**
USPC **D23/233**

(58) **Field of Classification Search**
USPC D23/233, 206; 137/382; 141/360
CPC F16K 15/88; F16K 47/08; F16K 11/0716;
F16K 11/0853

See application file for complete search history.

(56) **References Cited**

U.S. PATENT DOCUMENTS

D768,266 S * 10/2016 Pareek D23/233
D786,394 S * 5/2017 Frenal D23/206

D786,396 S * 5/2017 Frenal D23/206
D786,397 S * 5/2017 Frenal D23/206
D786,398 S * 5/2017 Ligonesche D23/206
2015/0260344 A1* 9/2015 Frenal F17C 13/06
206/0.6

* cited by examiner

Primary Examiner — Catherine R Oliver-Garcia

Assistant Examiner — J. Thorn, Sr.

(74) *Attorney, Agent, or Firm* — Allen E. White

(57) **CLAIM**

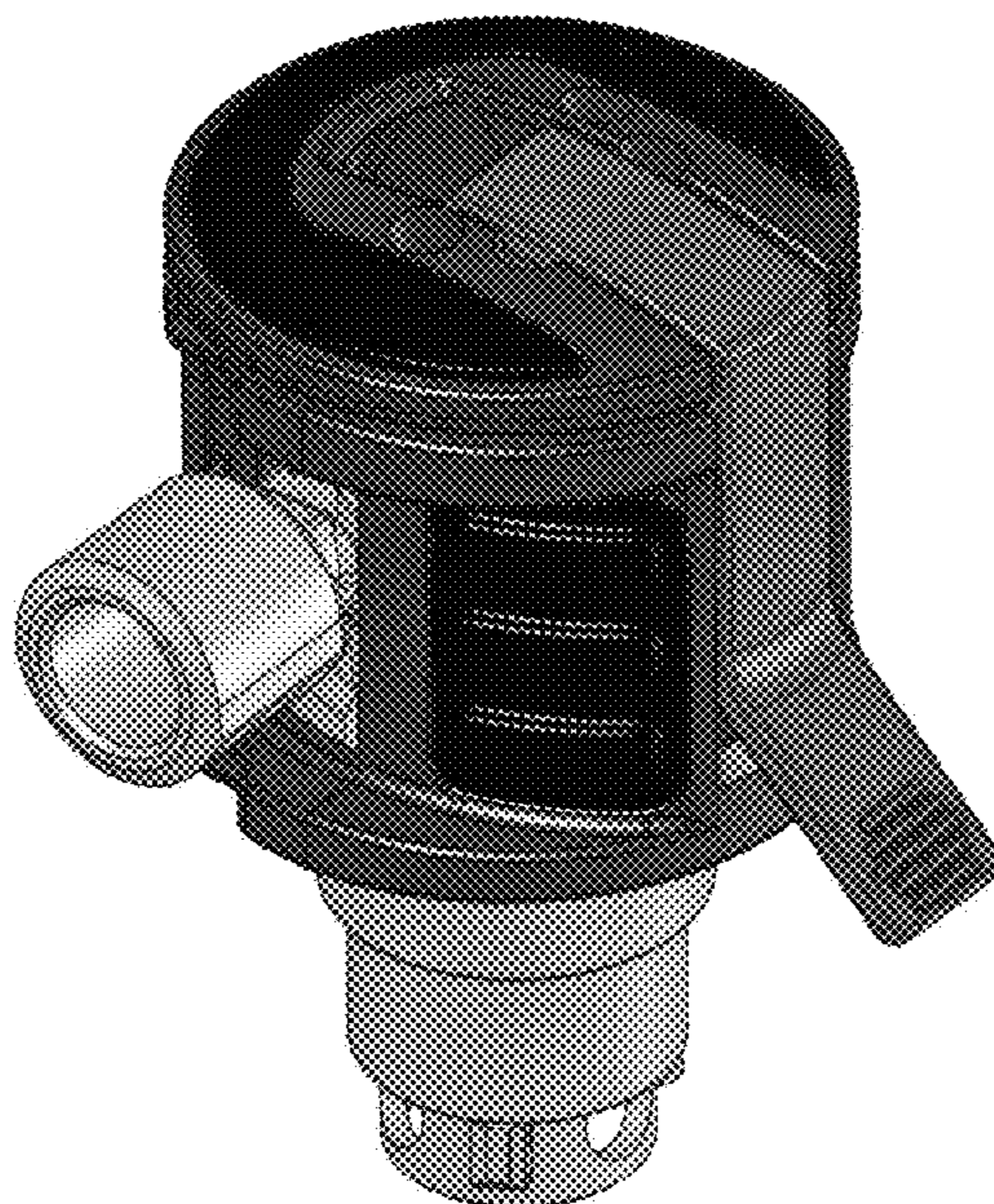
The ornamental design for a fluid valve, as shown and described.

DESCRIPTION

The file of this patent contains at least one drawing/photograph executed in color. Copies of this patent with color drawing(s)/photograph(s) will be provided by the Office upon request and payment of the necessary fee.

FIG. 1 is an isometric view of a fluid valve;
FIG. 2 is a side view of a the first side thereof;
FIG. 3 is a side view of a second side thereof;
FIG. 4 is a side view of a third side thereof;
FIG. 5 a side view of a fourth side thereof;
FIG. 6 is top view thereof;
FIG. 7 is bottom view thereof;
FIG. 8 is an isometric view of a fluid valve, showing a second embodiment;
FIG. 9 is a side view of the first side thereof;
FIG. 10 is a side view of a second side thereof;
FIG. 11 is a side view of a third side thereof;
FIG. 12 a side view of a fourth side thereof;
FIG. 13 is top view thereof; and,
FIG. 14 is bottom view thereof.

1 Claim, 14 Drawing Sheets
(7 of 14 Drawing Sheet(s) Filed in Color)



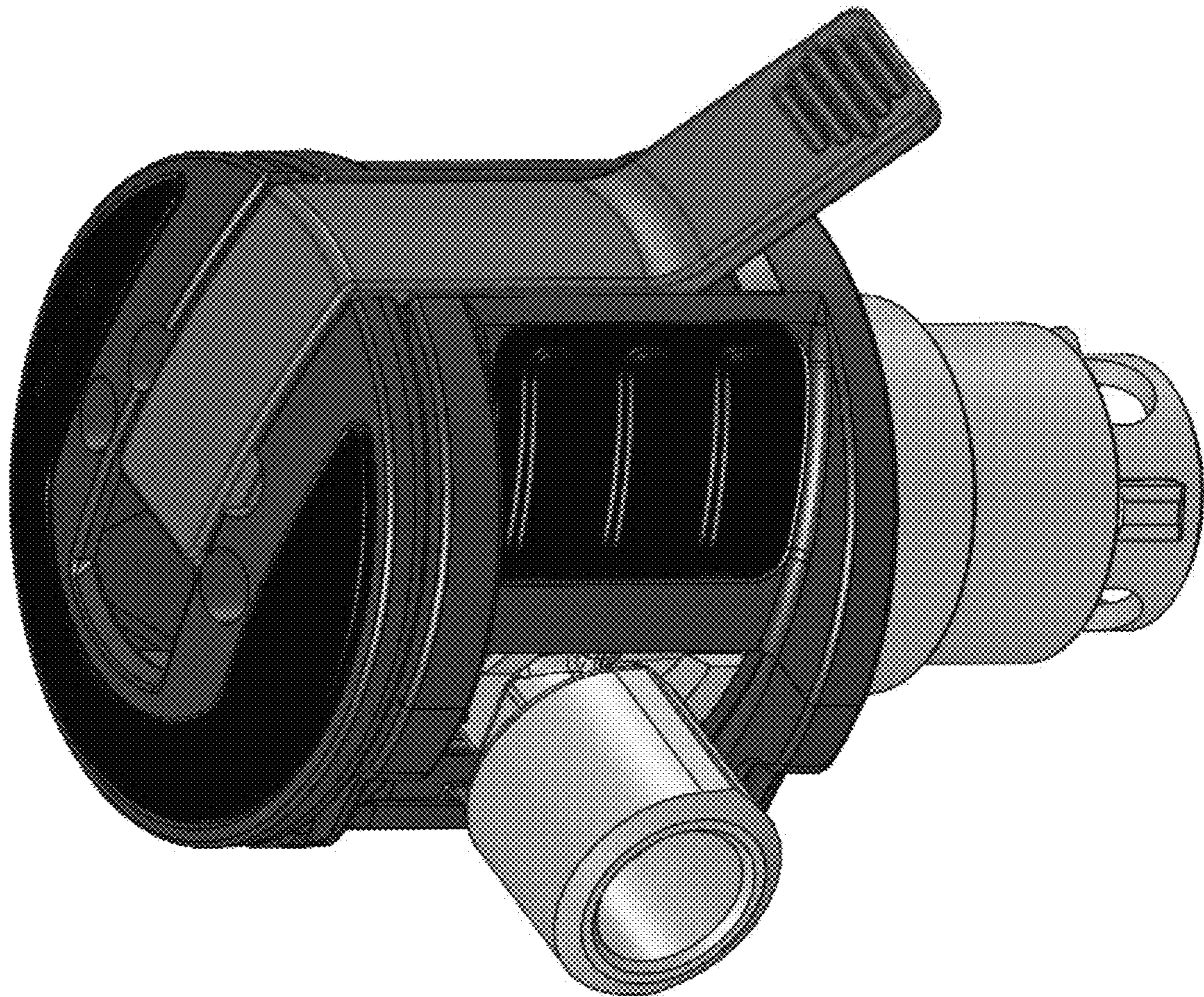


FIG. 1

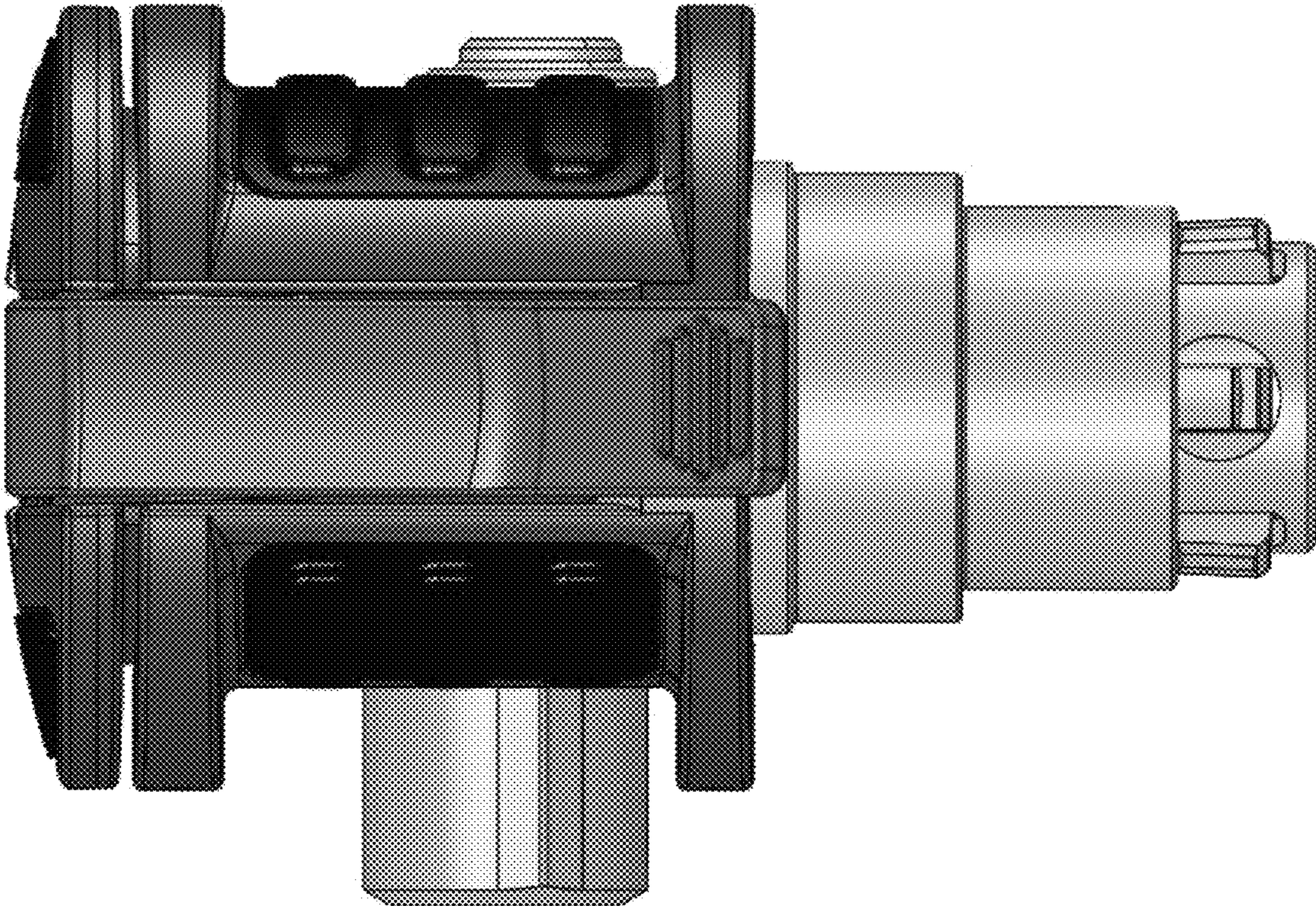


FIG. 2

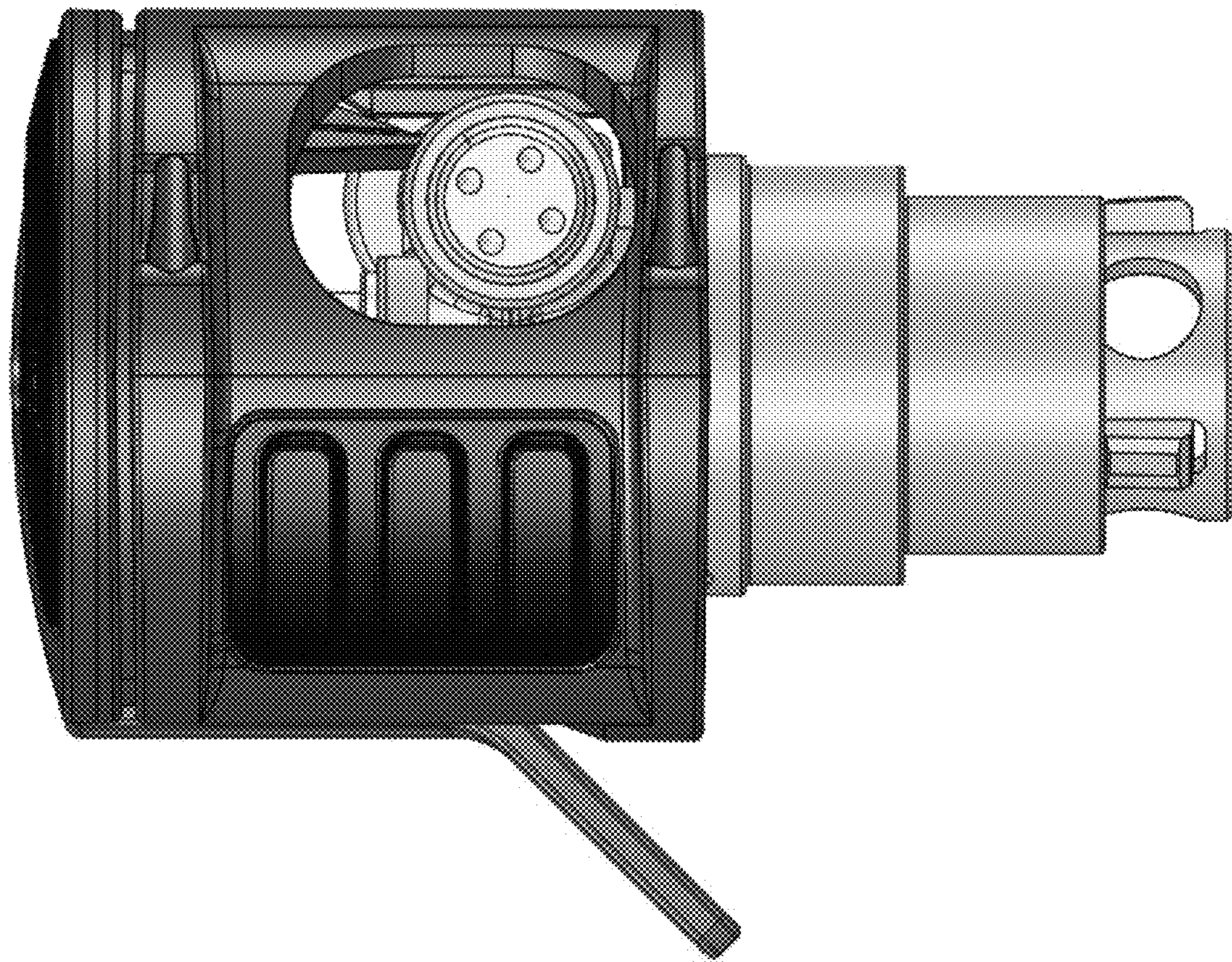


FIG. 3

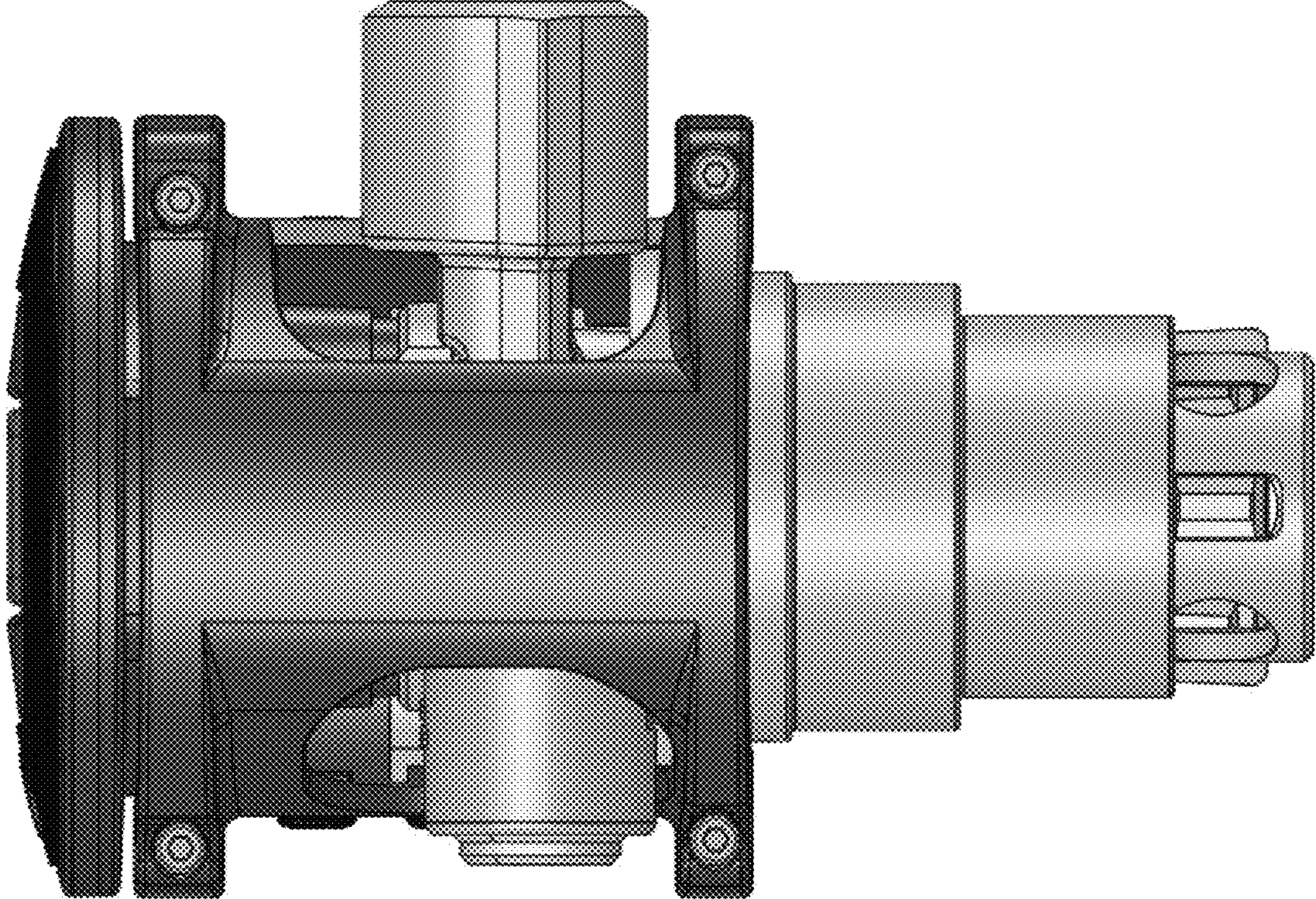


FIG. 4

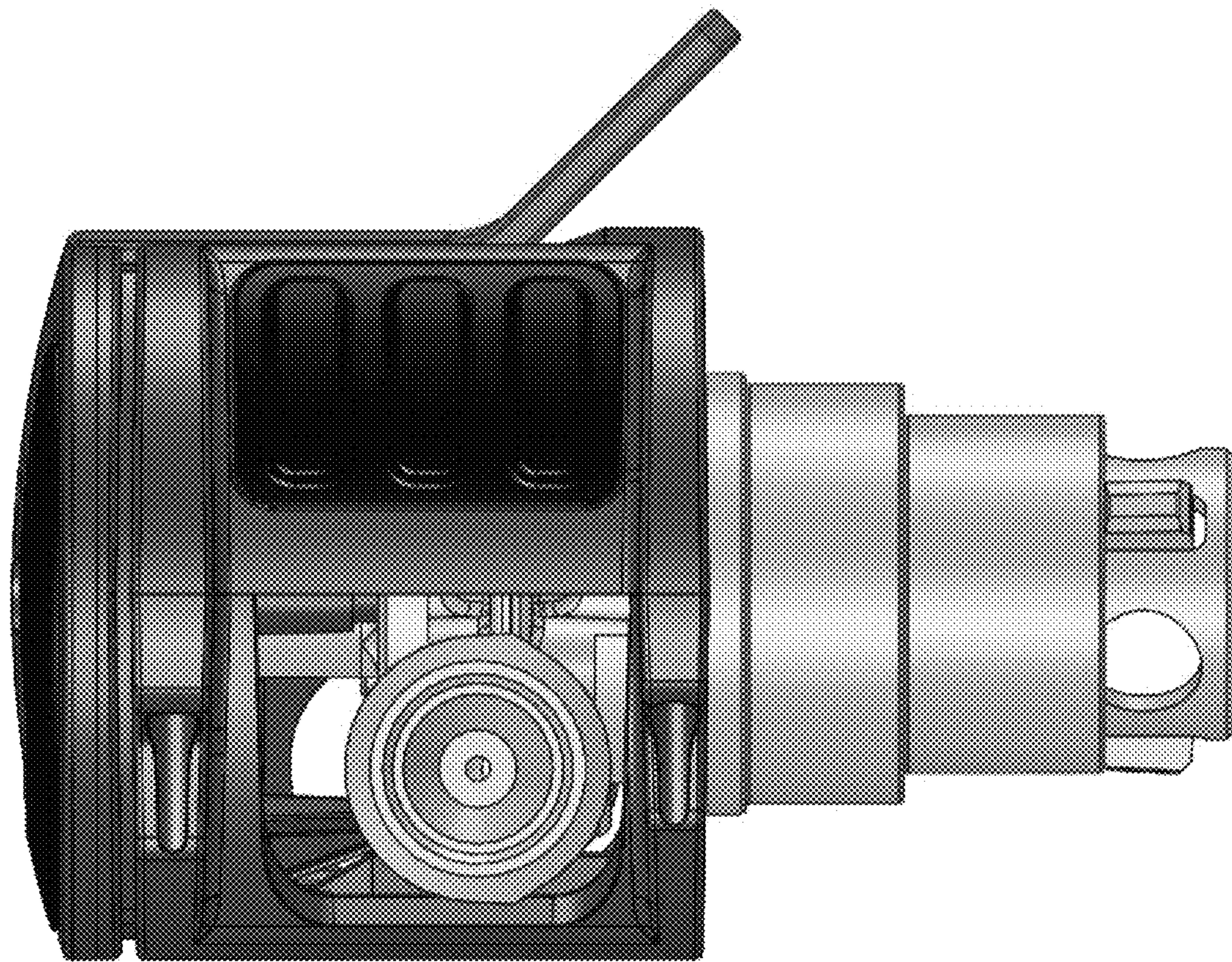


FIG. 5

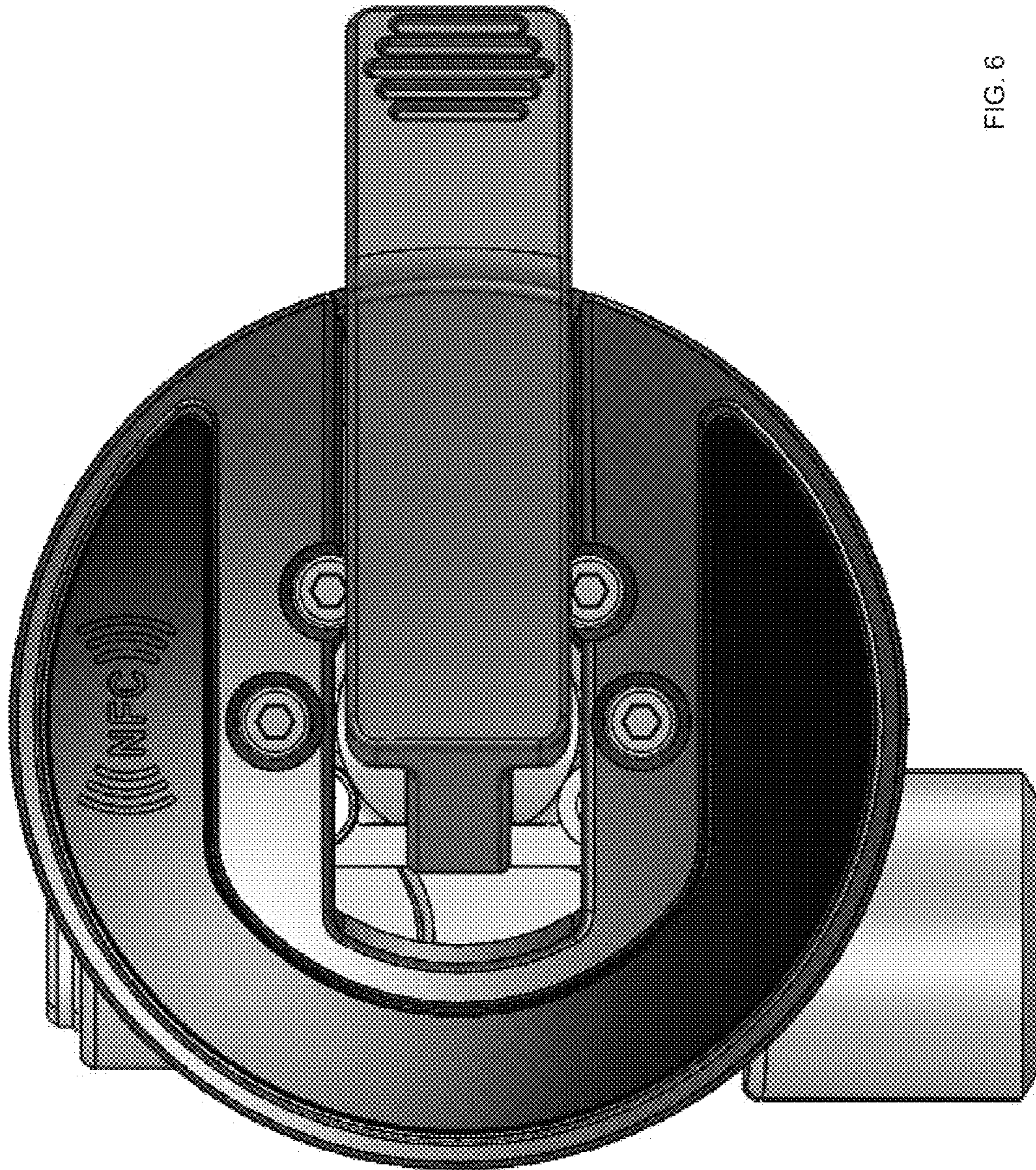


FIG. 6

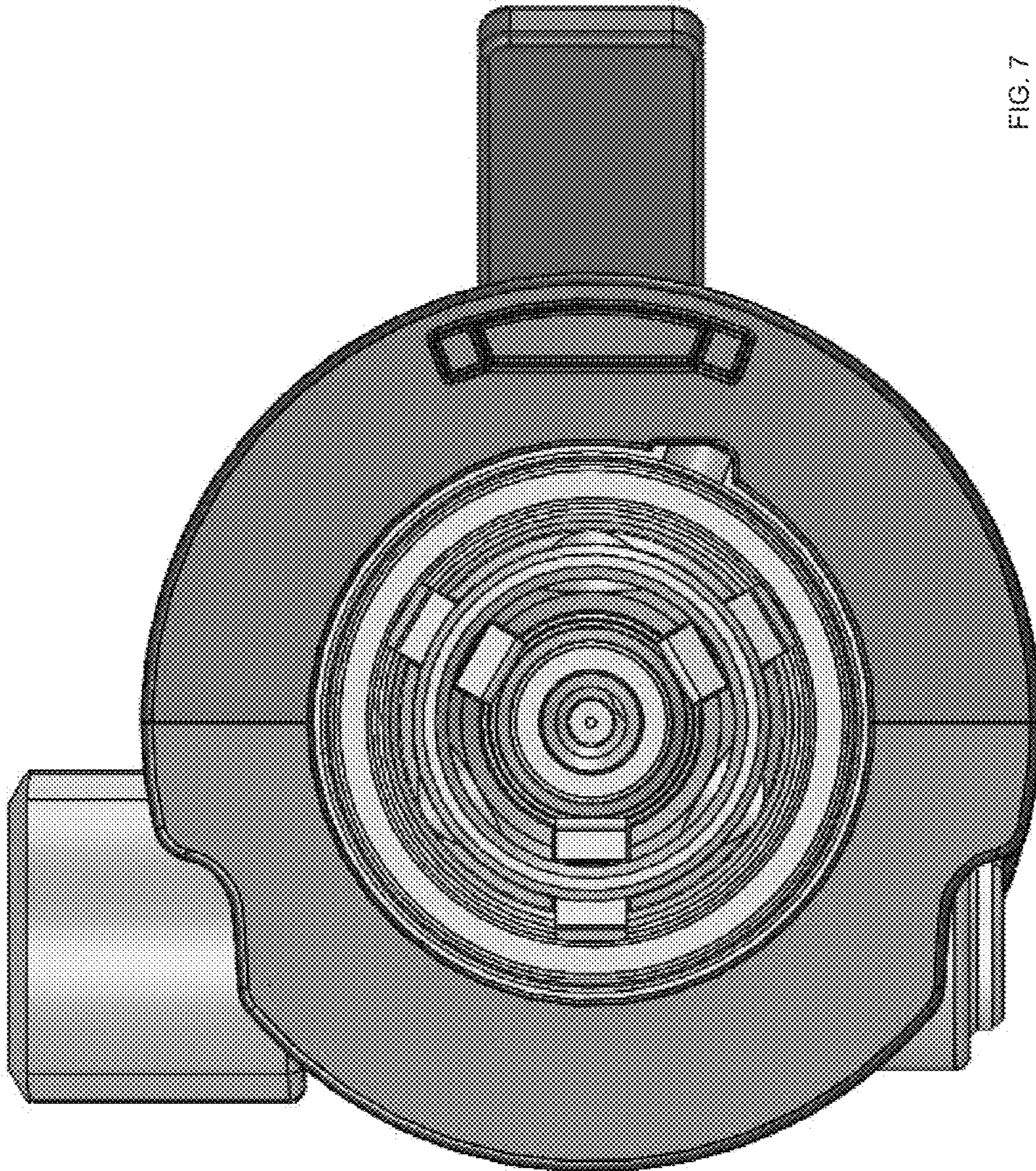


FIG. 7

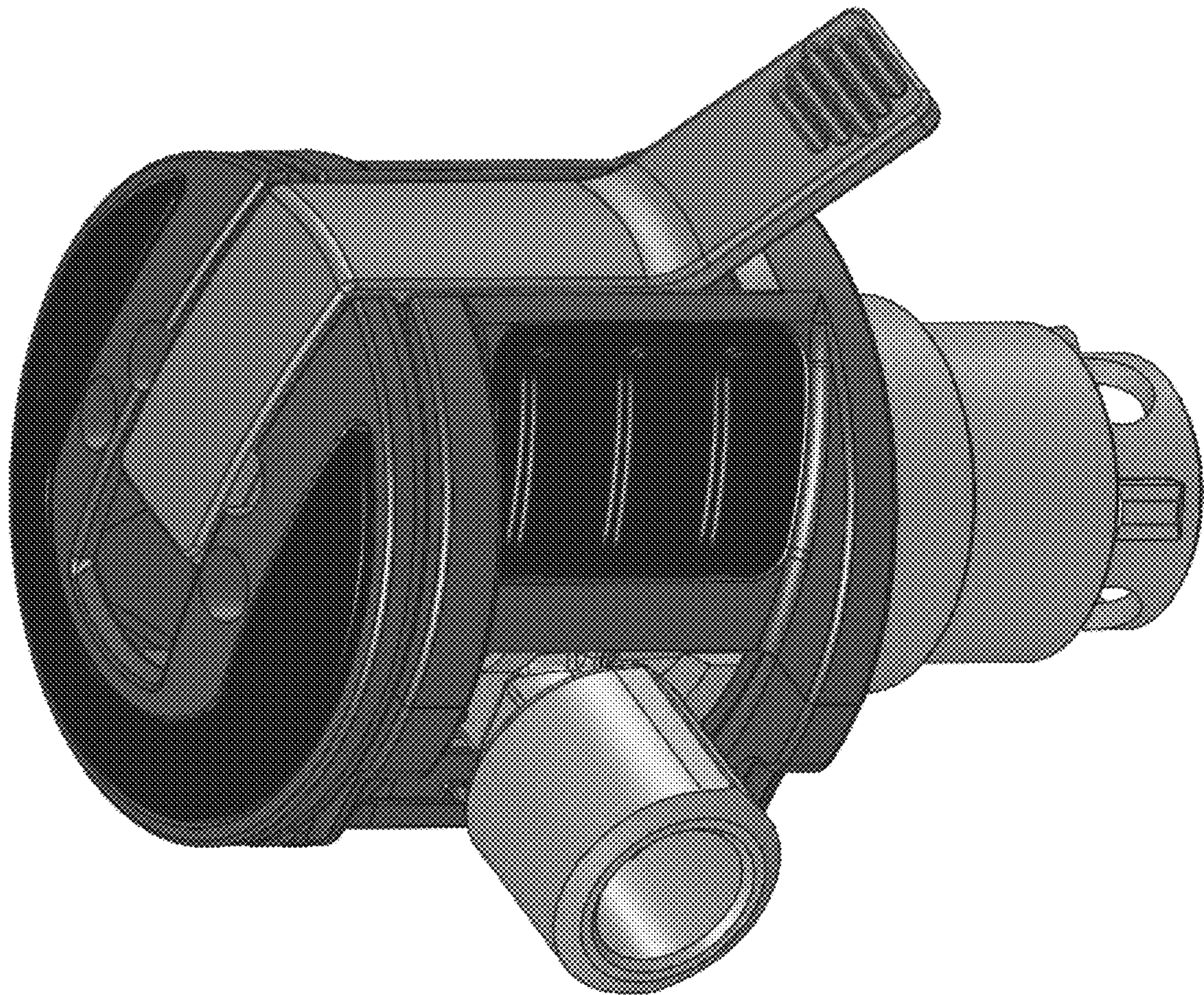


FIG. 8

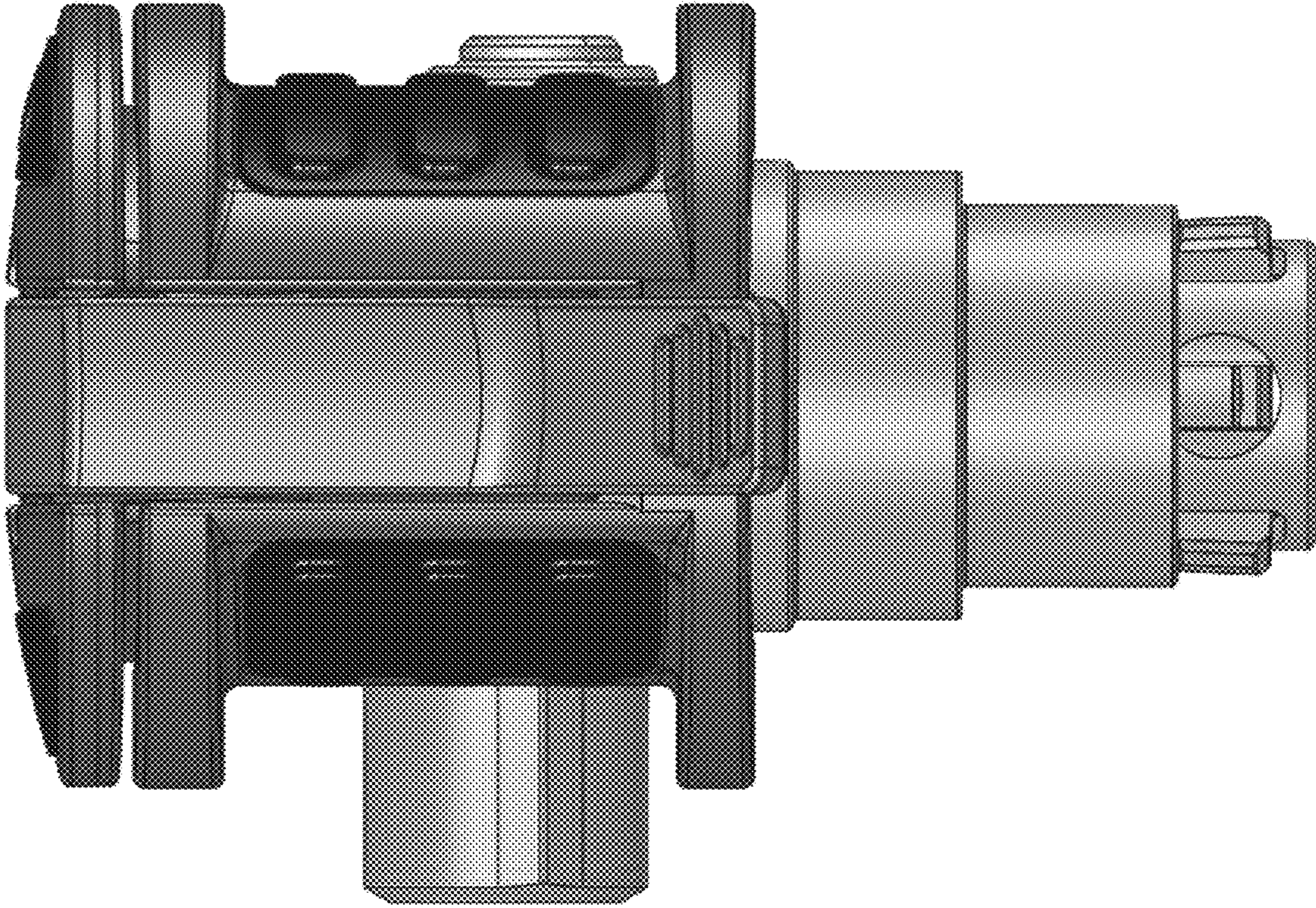


FIG. 9

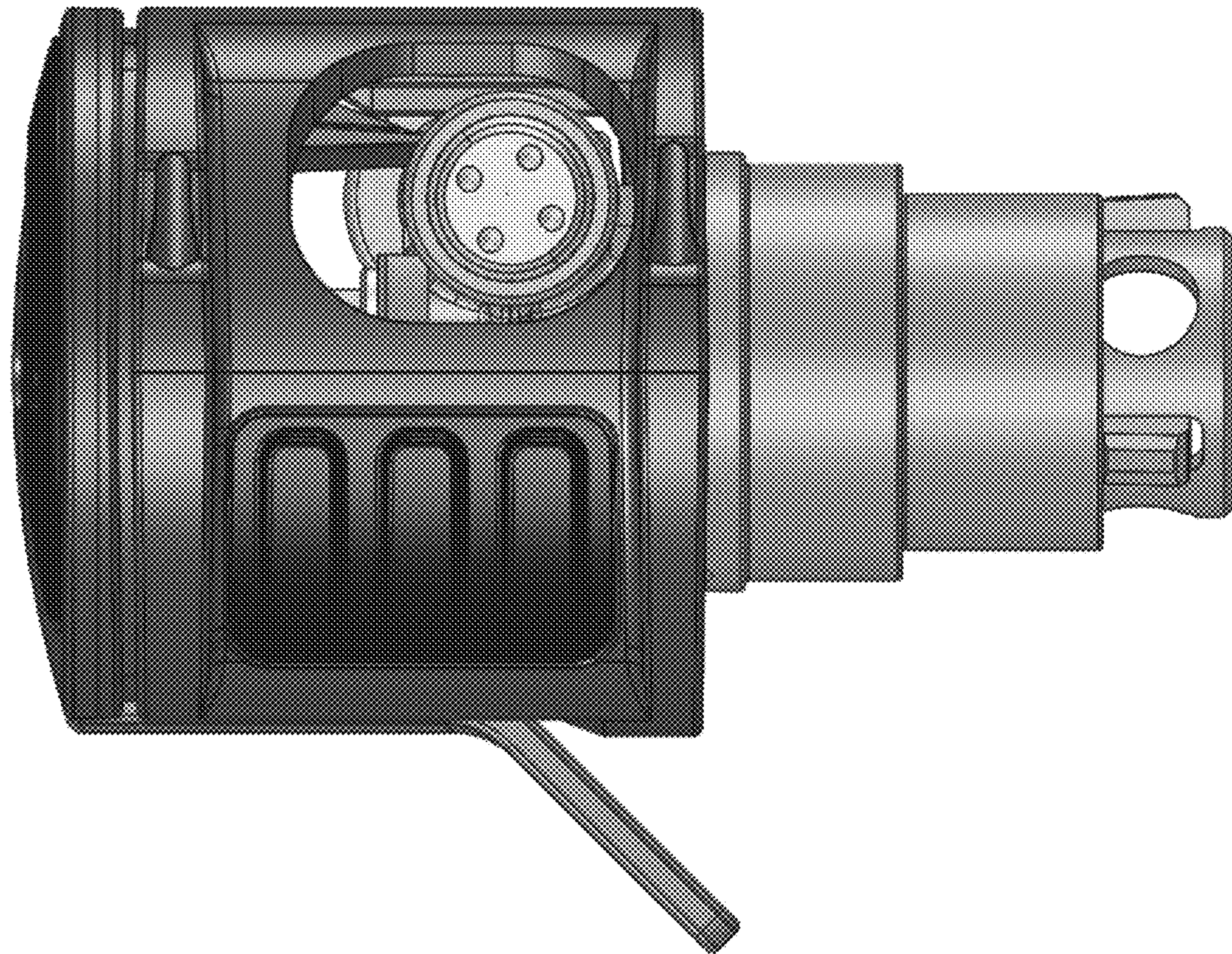


FIG. 10

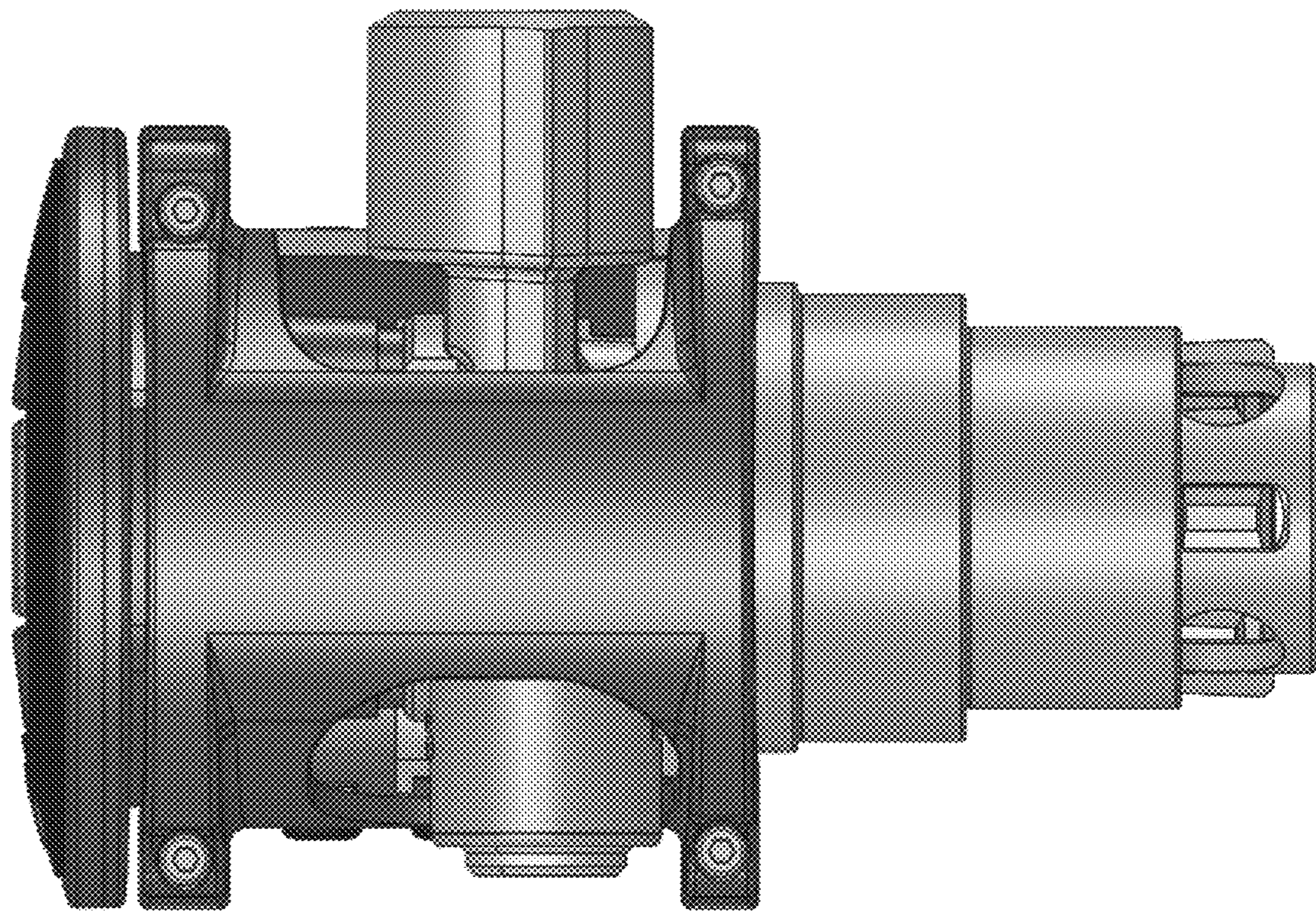


FIG. 11

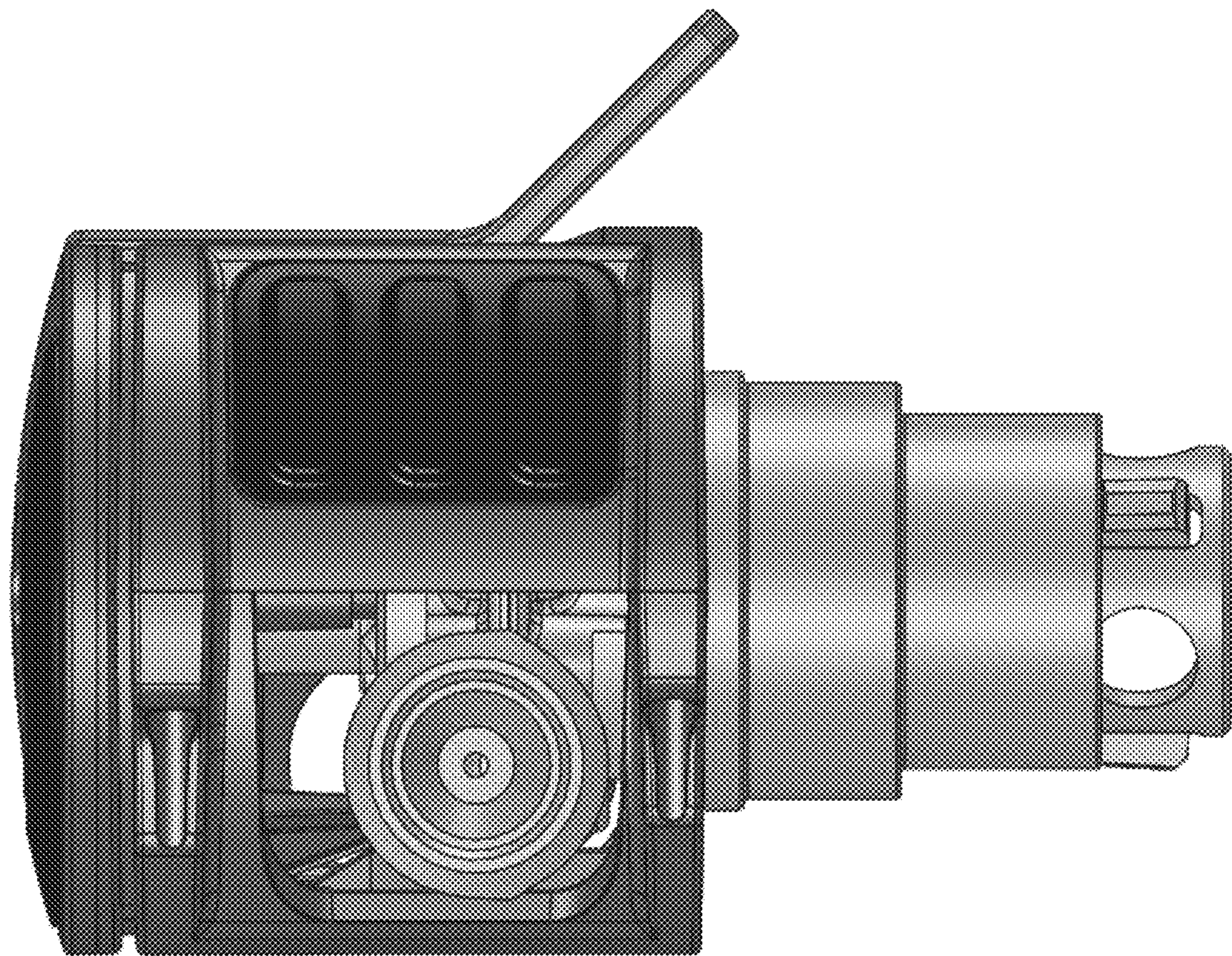


FIG. 12

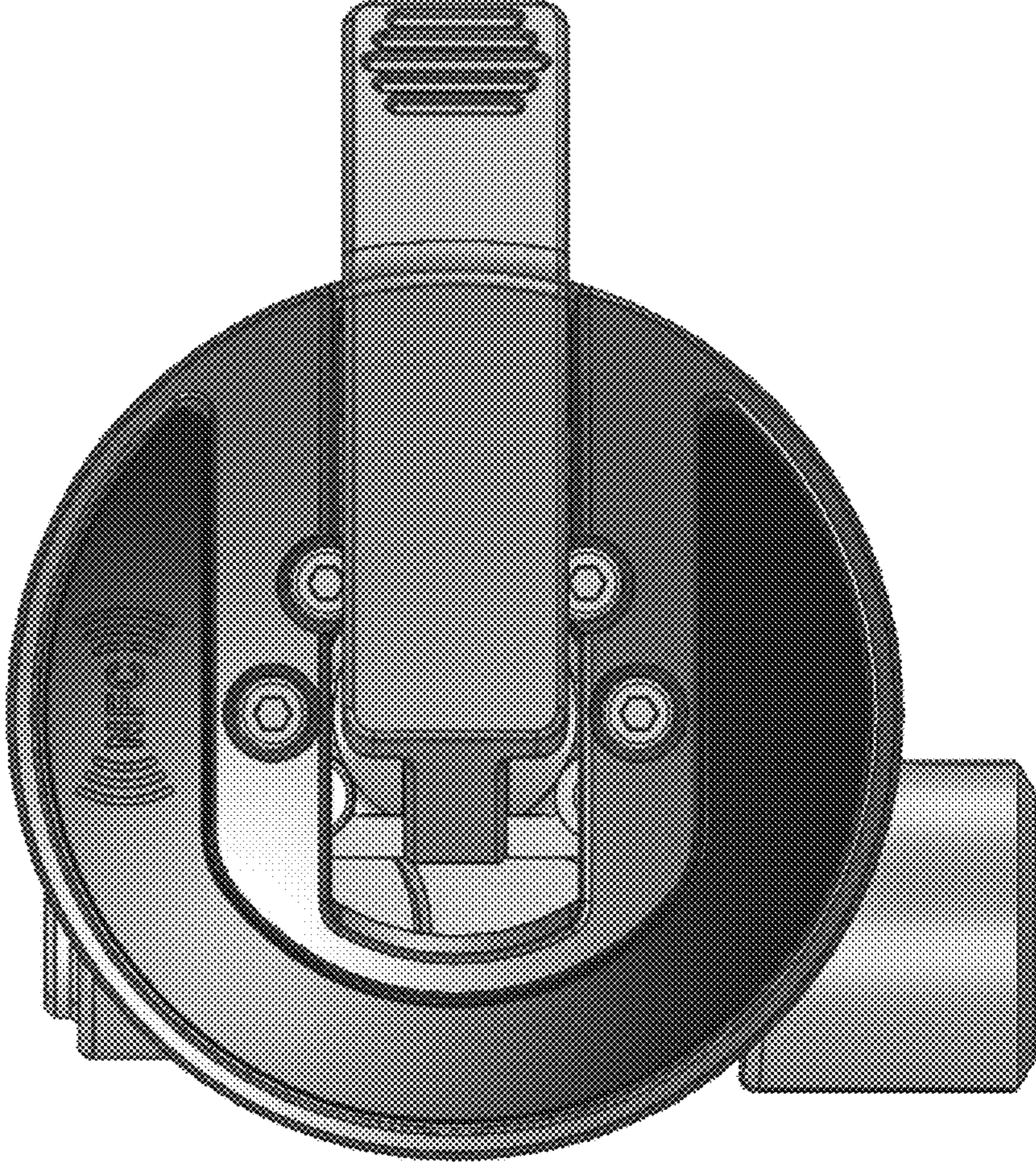


FIG. 13

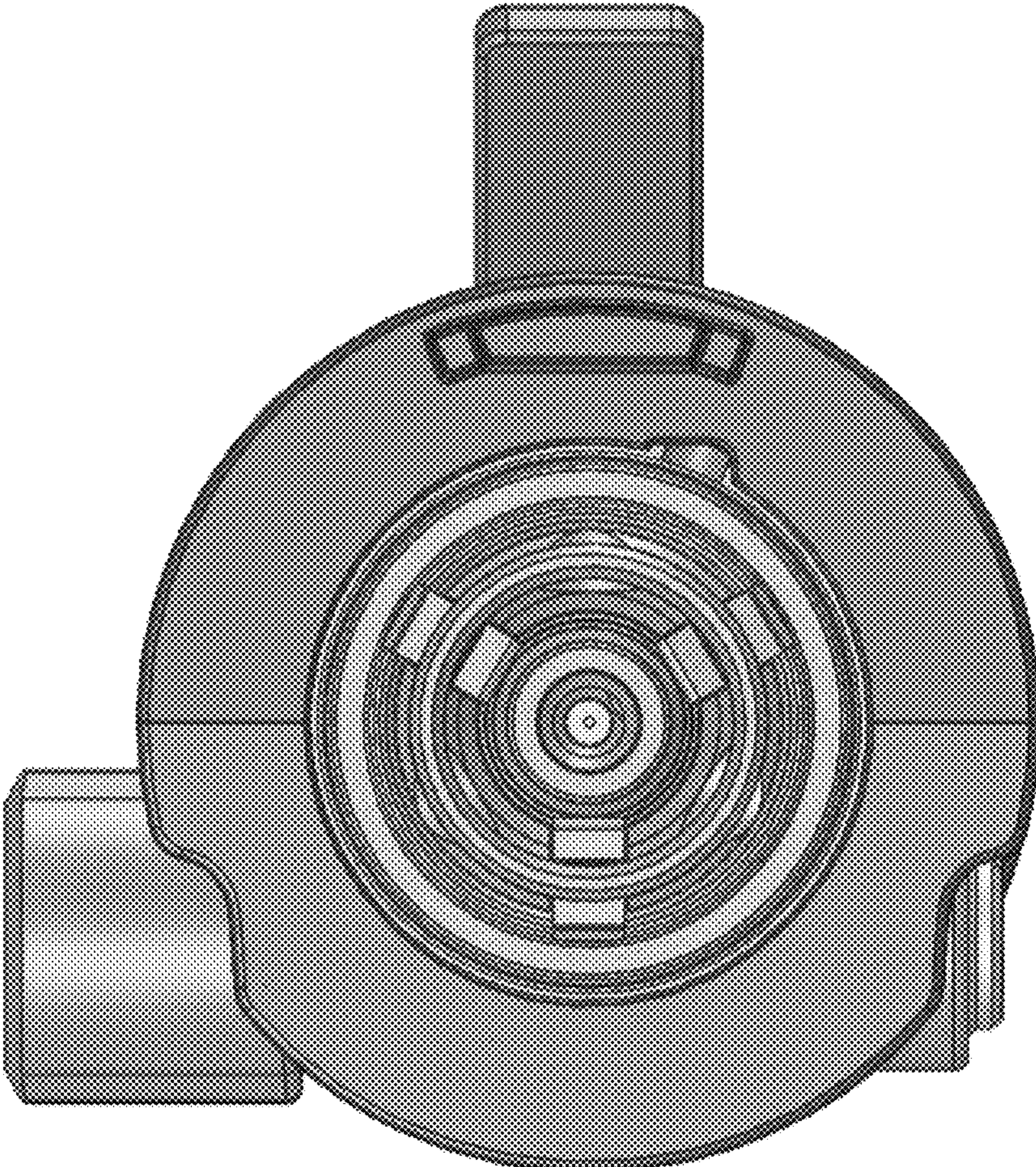


FIG. 14