

US00D862641S

(12) **United States Design Patent**
Smith, Sr.

(10) **Patent No.:** **US D862,641 S**

(45) **Date of Patent:** **** Oct. 8, 2019**

(54) **IRRIGATION DEVICE**

D488,208 S * 4/2004 Cook D23/214
D490,499 S * 5/2004 Martin D23/214
6,901,698 B2 * 6/2005 Manning A01G 25/02
138/139

(71) Applicant: **Russell S. Smith, Sr.**, Monmouth
Beach, NJ (US)

(Continued)

(72) Inventor: **Russell S. Smith, Sr.**, Monmouth
Beach, NJ (US)

Primary Examiner — Sheryl Lane

(74) *Attorney, Agent, or Firm* — Myers Wolin, LLC

(73) Assignee: **Russell S. Smith, Sr.**, Monmouth
Beach, NJ (US)

(57) **CLAIM**

The ornamental design for an irrigation device, as shown
and described.

(**) Term: **15 Years**

DESCRIPTION

(21) Appl. No.: **29/621,292**

FIG. 1 is a front perspective view of an irrigation device
showing my new design;

(22) Filed: **Oct. 6, 2017**

FIG. 2 is a bottom rear perspective view thereof;

(51) **LOC (12) Cl.** **23-01**

FIG. 3 is a front elevational view thereof;

(52) **U.S. Cl.**

FIG. 4 is a left side elevational view thereof;

USPC **D23/214**; D8/1

FIG. 5 is a right side elevational view thereof;

(58) **Field of Classification Search**

USPC D8/1; D23/213, 214, 219

FIG. 6 is a top plan view thereof;

See application file for complete search history.

FIG. 7 is a bottom plan view thereof;

(56) **References Cited**

U.S. PATENT DOCUMENTS

1,758,767 A * 5/1930 Taggart B05B 15/652
239/556
D225,328 S * 12/1972 Margrill D23/214
D253,224 S * 10/1979 Roehrich D8/1
D277,610 S * 2/1985 Arginsky D23/216
5,285,968 A * 2/1994 McSheehy A01G 25/02
239/273
D383,883 S * 9/1997 Langley D23/214
D399,712 S * 10/1998 Vilella D8/1
6,023,883 A * 2/2000 Bacon, Jr. A01G 25/02
47/48.5
D441,423 S * 5/2001 Goknur D23/214
6,237,167 B1 * 5/2001 Hunden A47K 3/28
4/567

FIG. 8 is a rear elevational view thereof;

FIG. 9 is a front perspective view of the irrigation device of
FIG. 1 shown in a closed condition;

FIG. 10 is a close-up view of section 10 from FIG. 2;

FIG. 11 shows the irrigation device of FIG. 9 in a use
condition;

FIG. 12 is a front perspective view of an alternate embodi-
ment of an irrigation device showing my new design;

FIG. 13 is a bottom rear perspective view thereof;

FIG. 14 is a front elevational view thereof;

FIG. 15 is a left side elevational view thereof;

FIG. 16 is a right side elevational view thereof;

FIG. 17 is a top plan view thereof;

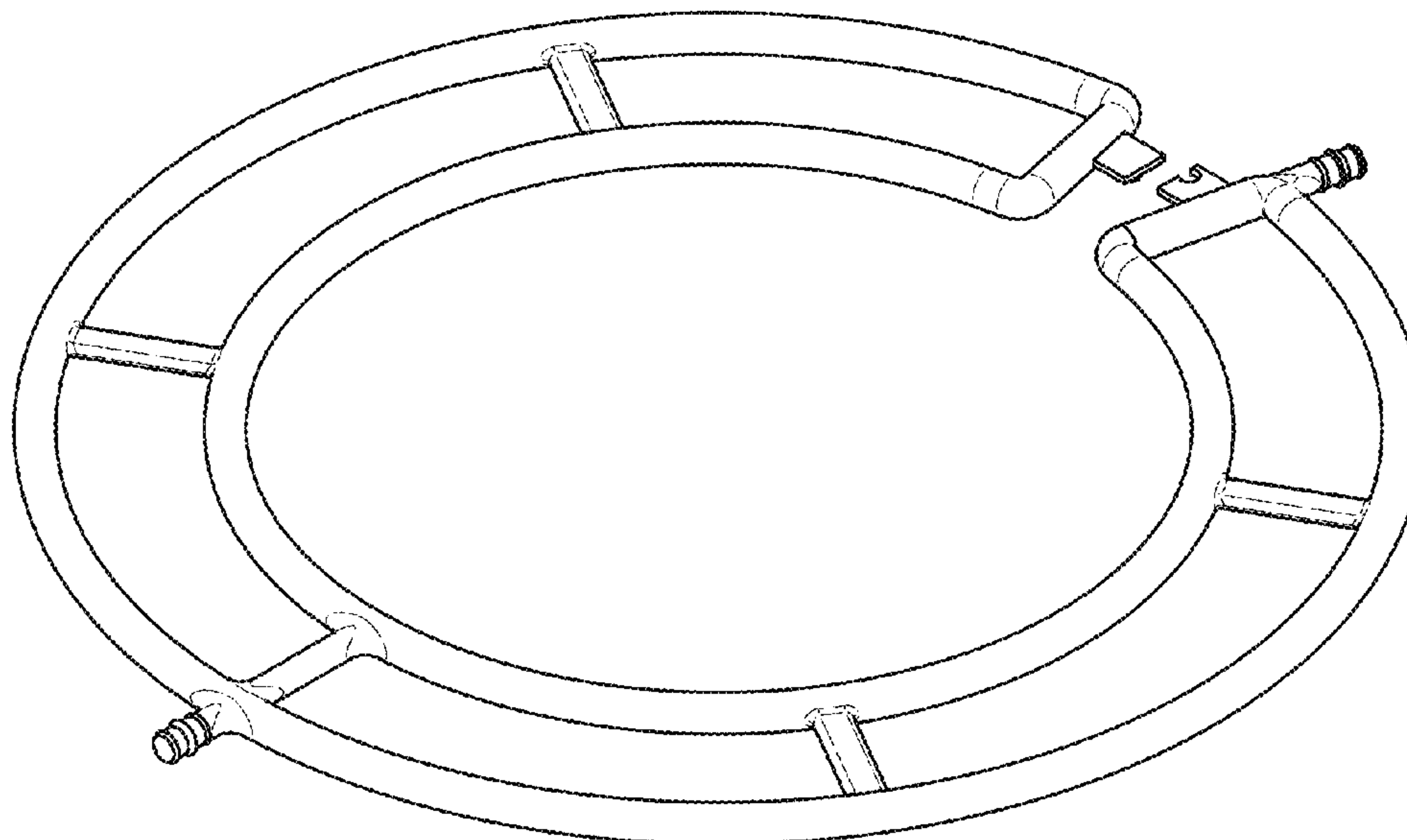
FIG. 18 is a bottom plan view thereof;

FIG. 19 is a rear elevational view thereof; and,

FIG. 20 is a close-up view of section 20 from FIG. 13.

The broken lines represent portions of the irrigation device
and form no part of the claimed design.

1 Claim, 9 Drawing Sheets



(56)

References Cited

U.S. PATENT DOCUMENTS

D687,514 S *	8/2013	Burnell	D23/214
D696,087 S *	12/2013	White	D8/1
D732,141 S *	6/2015	Salas	D23/214
9,138,757 B2 *	9/2015	McLarty	B05B 15/62
9,468,165 B2 *	10/2016	Lancaster	A01G 27/006
9,999,894 B2 *	6/2018	Beckett	B05B 1/207
D825,290 S *	8/2018	Lortscher	D8/1

* cited by examiner

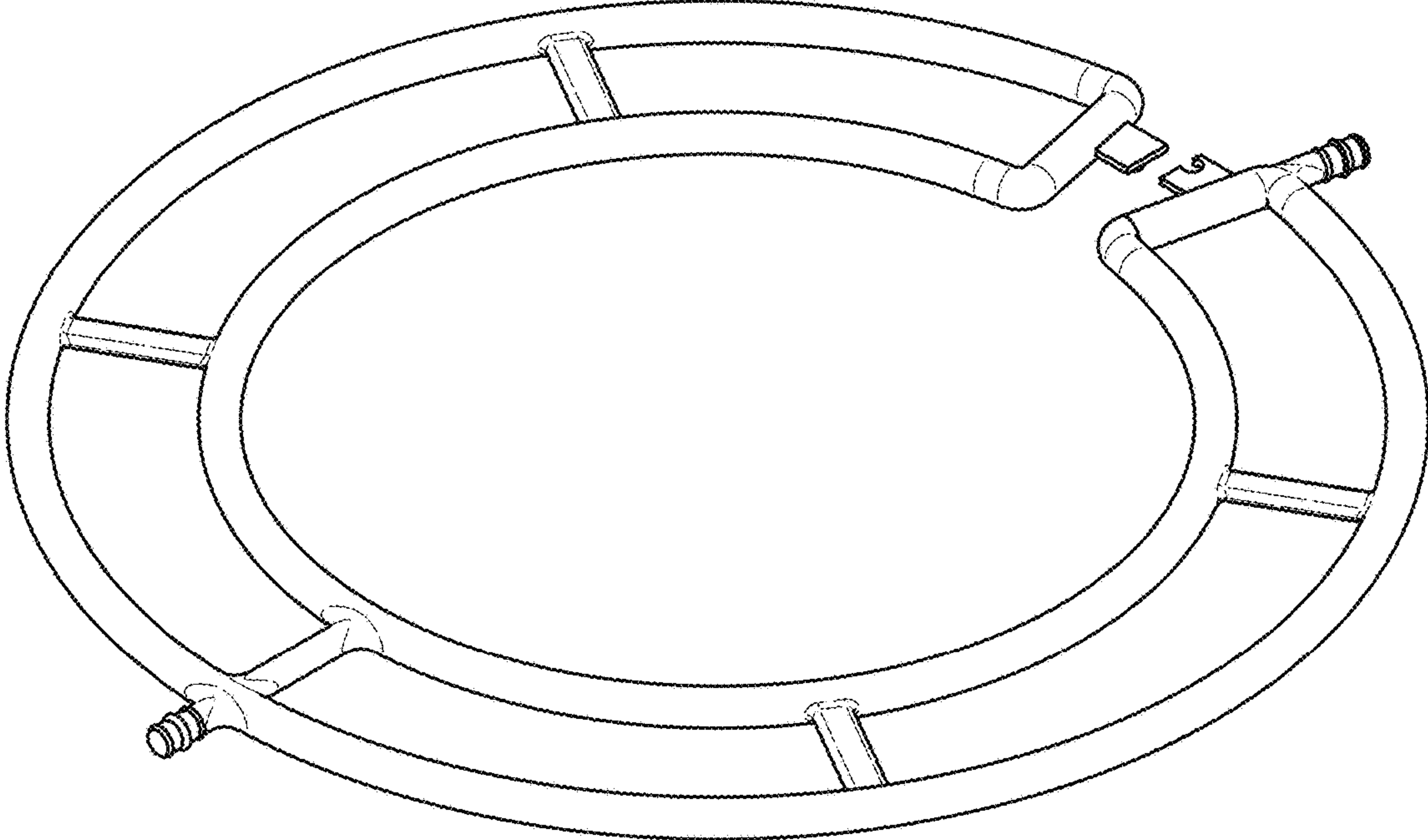


FIG. 1

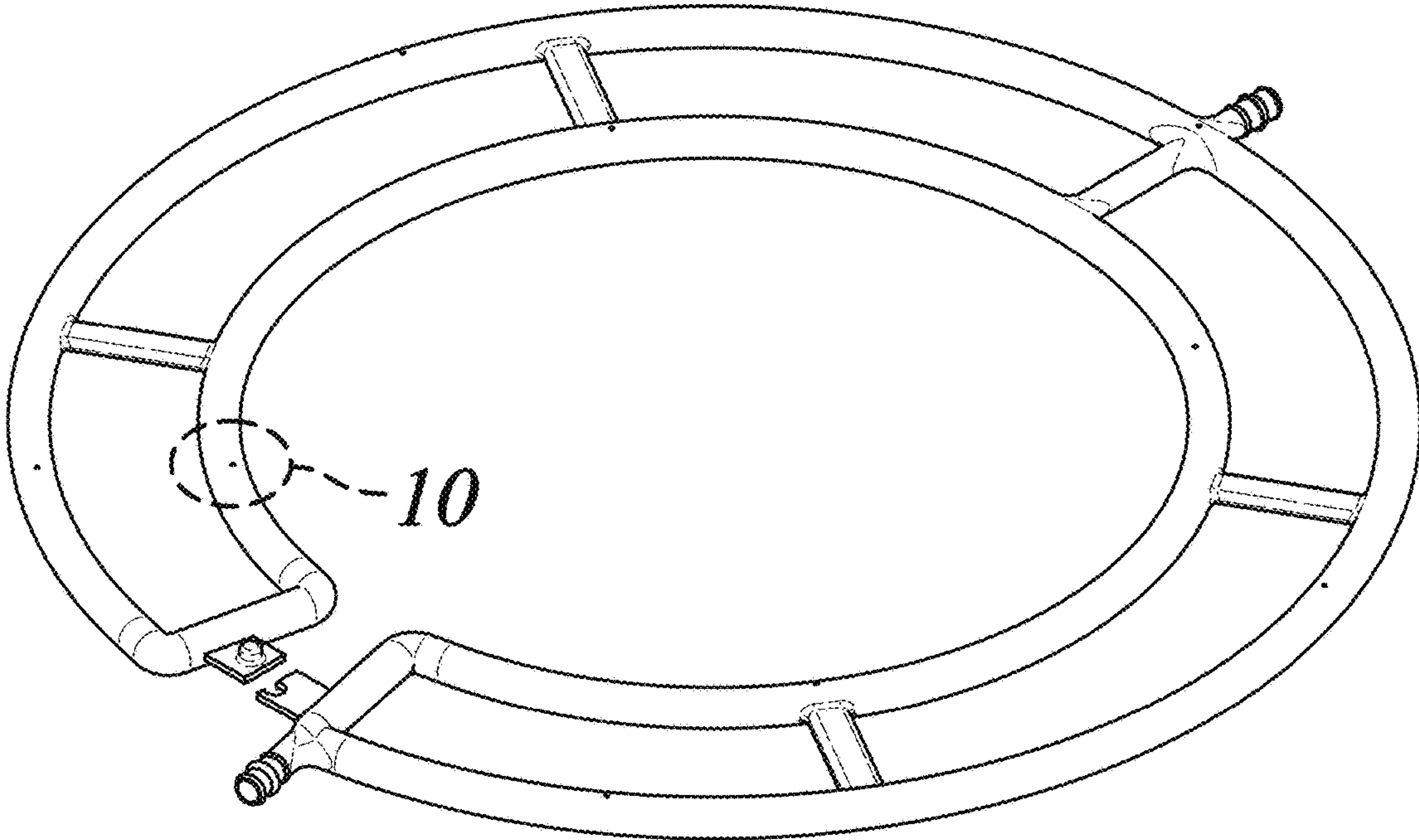


FIG. 2

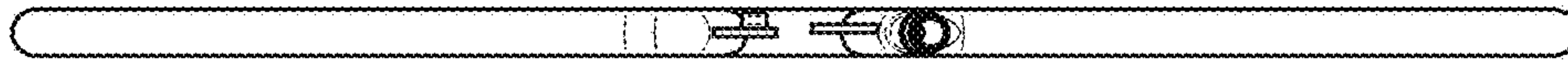


FIG. 6



FIG. 4

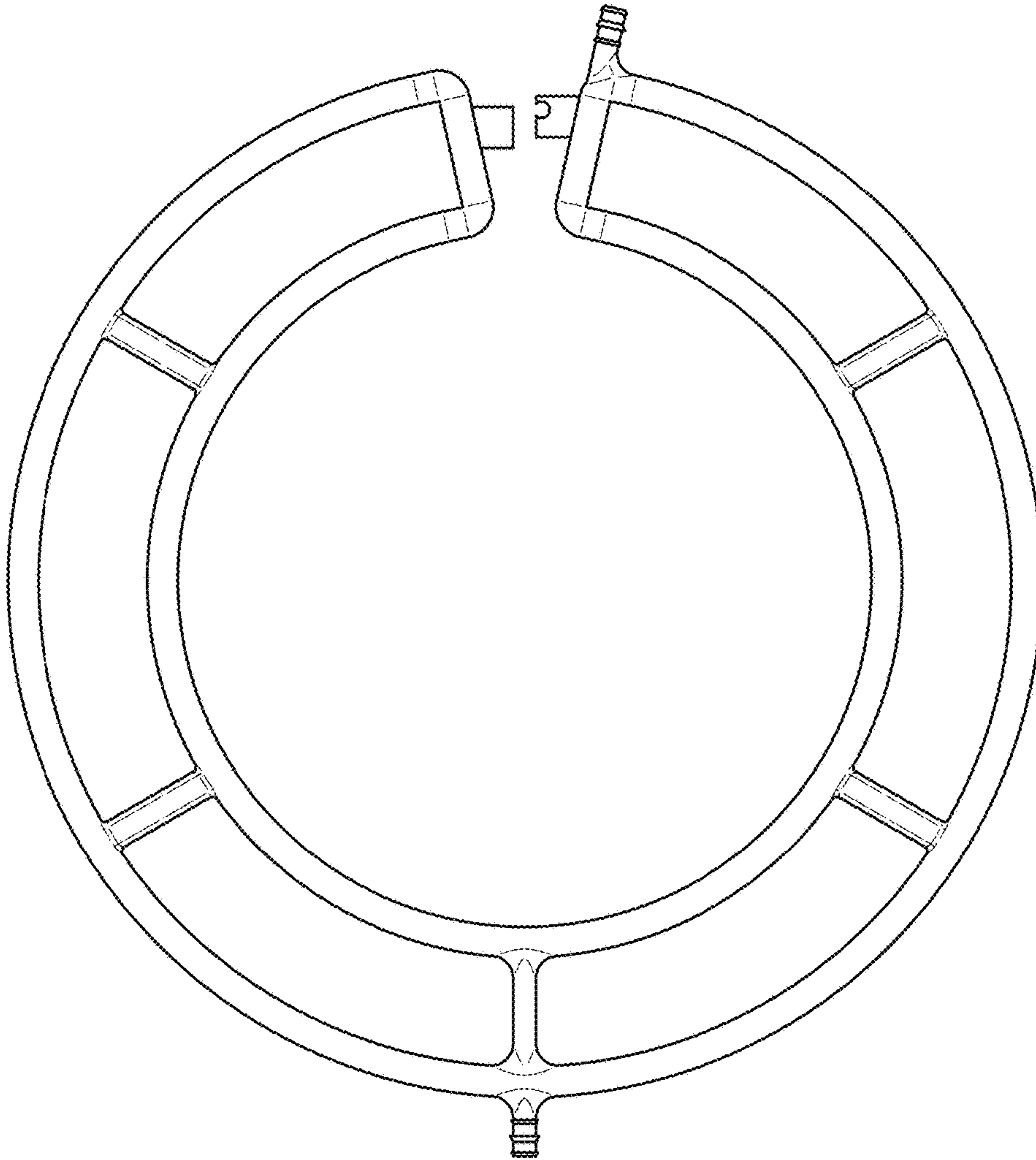


FIG. 3

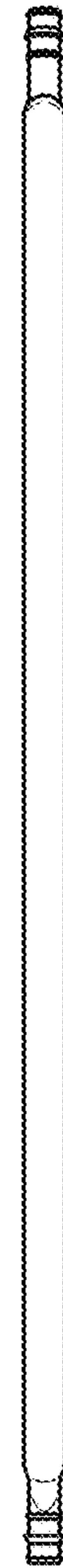


FIG. 5



FIG. 7

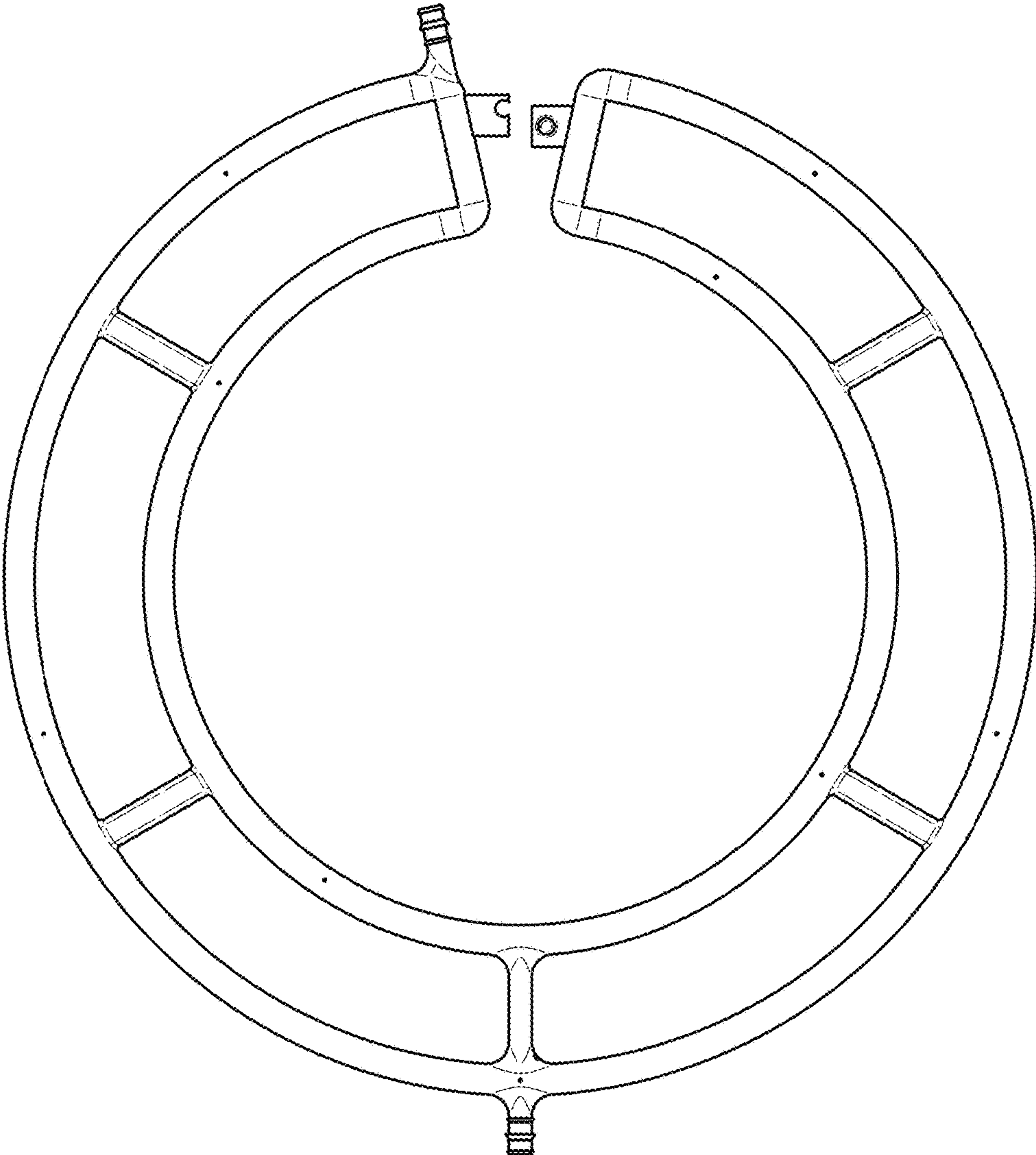


FIG. 8

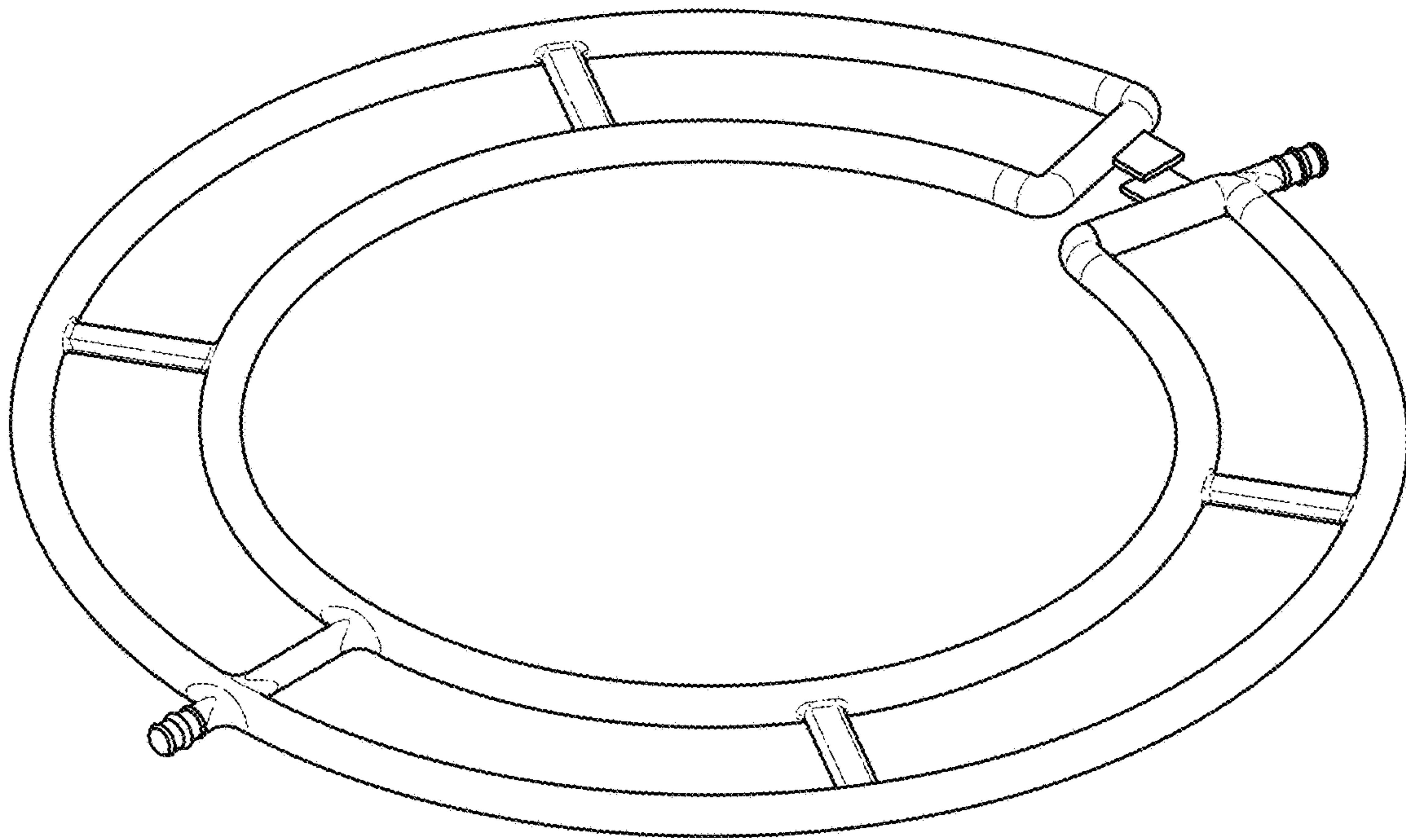


FIG. 9

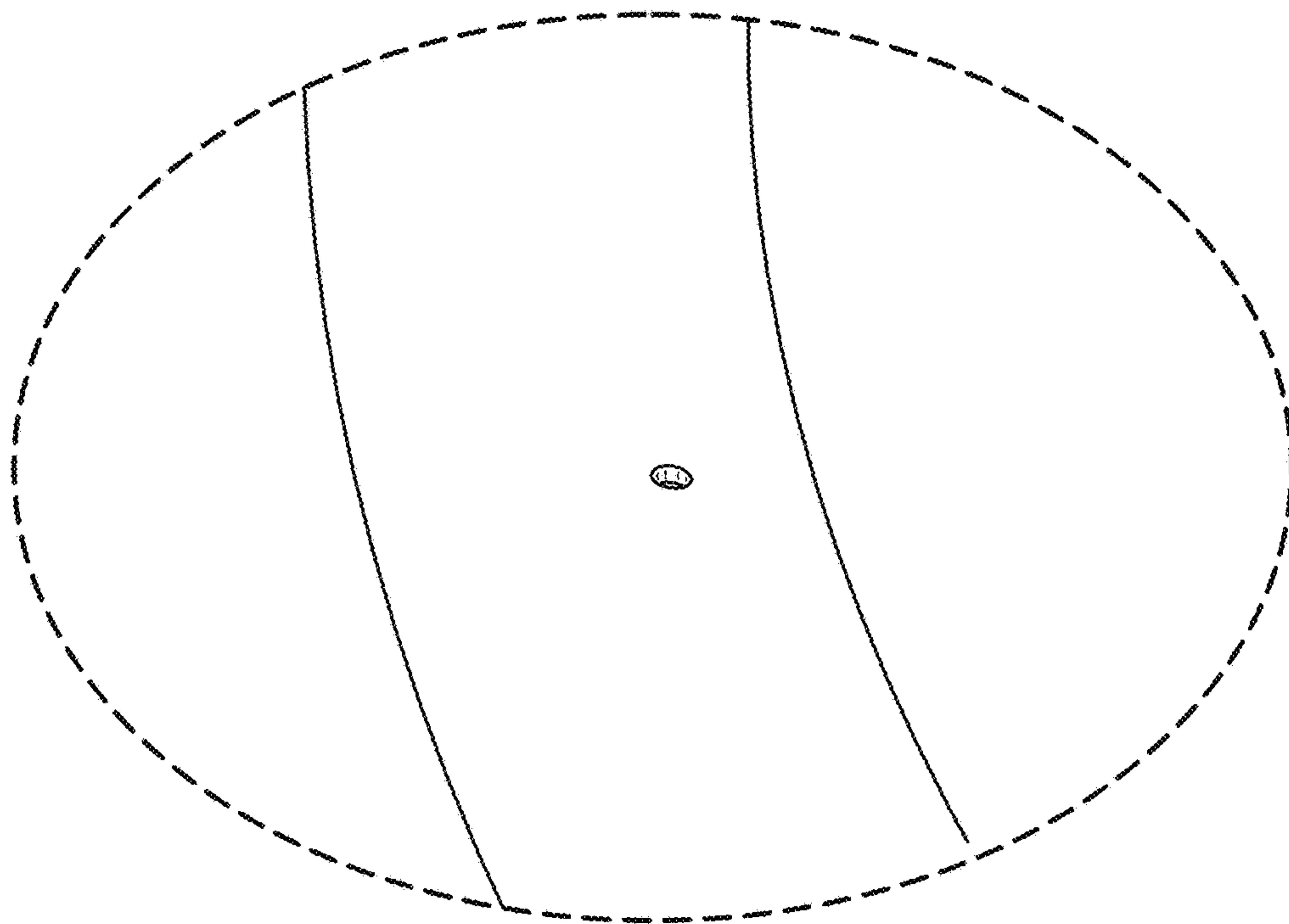


FIG. 10

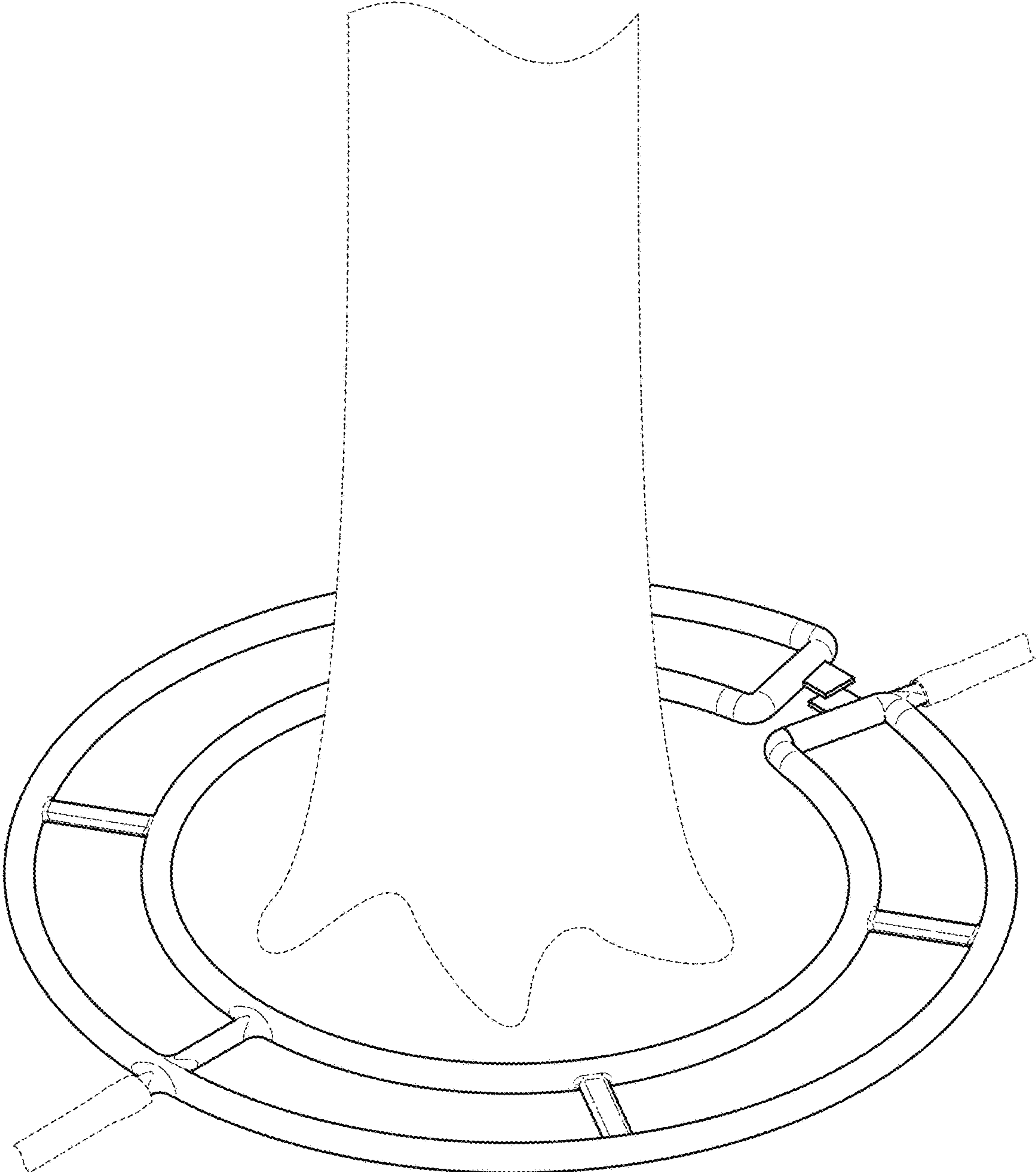


FIG. 11

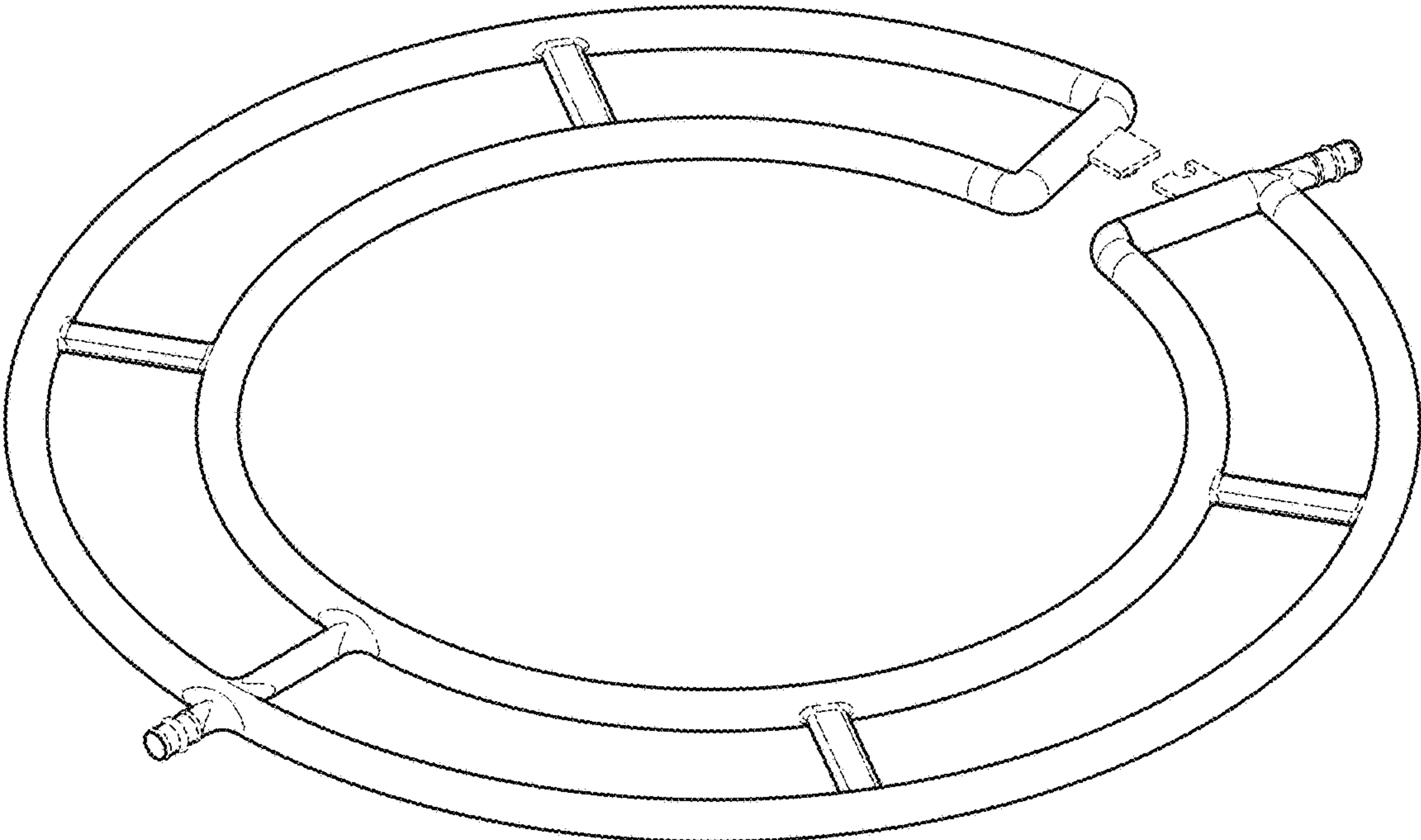


FIG. 12

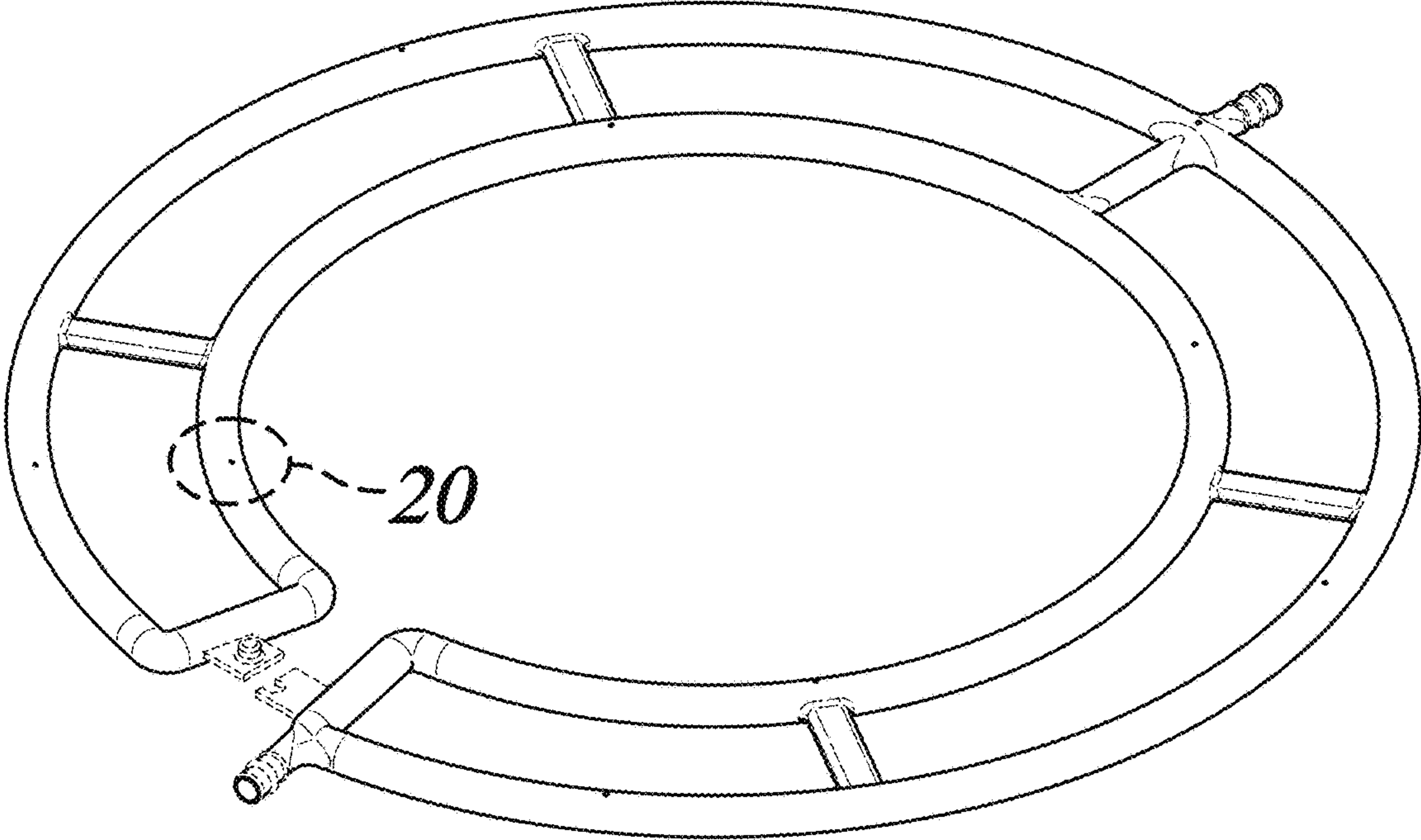


FIG. 13

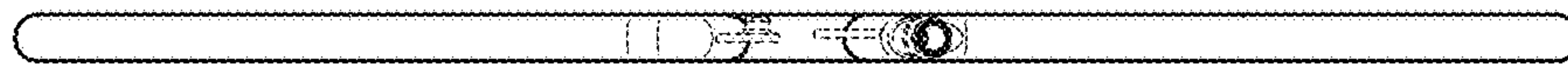


FIG. 17

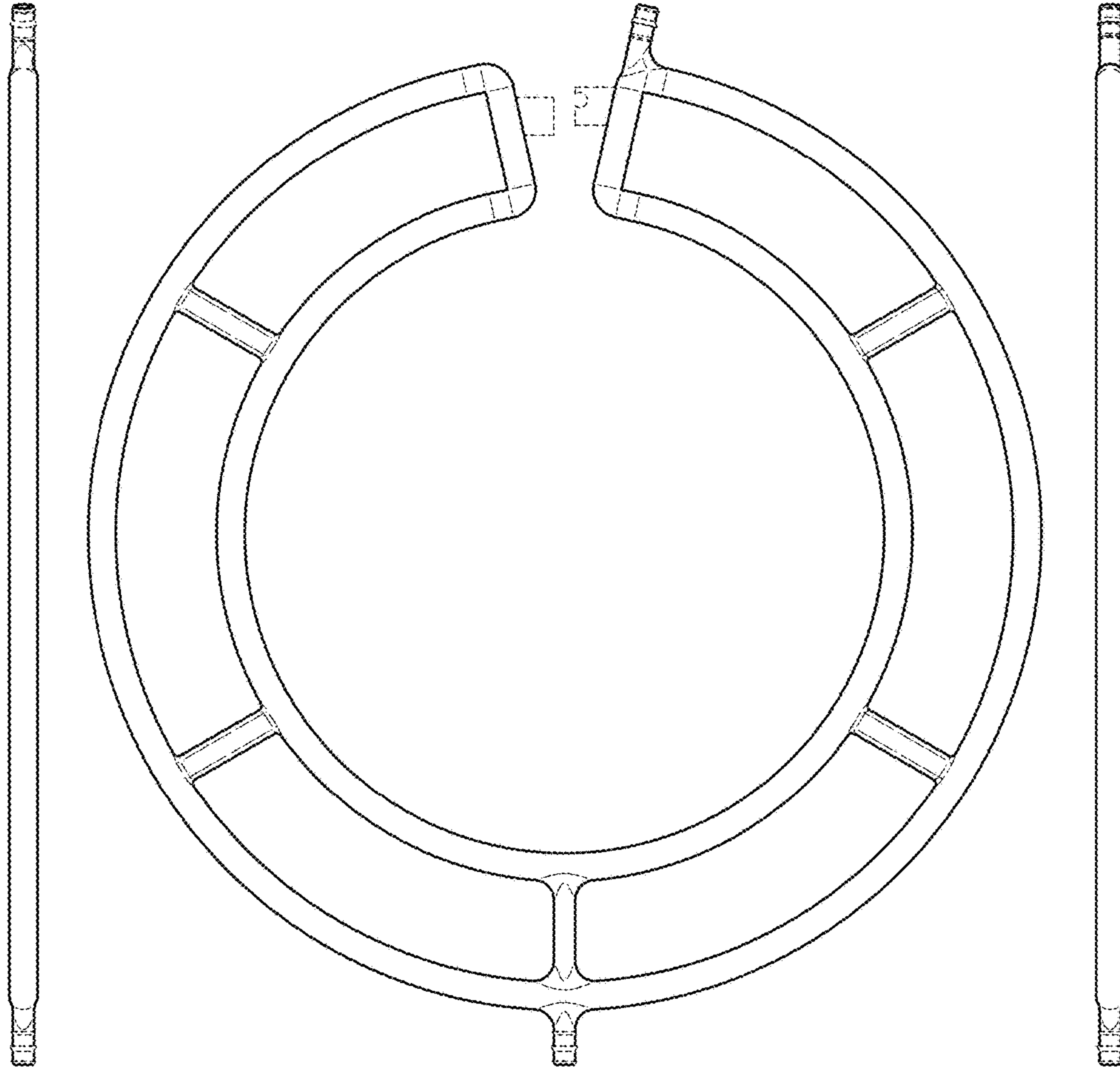


FIG. 15

FIG. 14

FIG. 16



FIG. 18

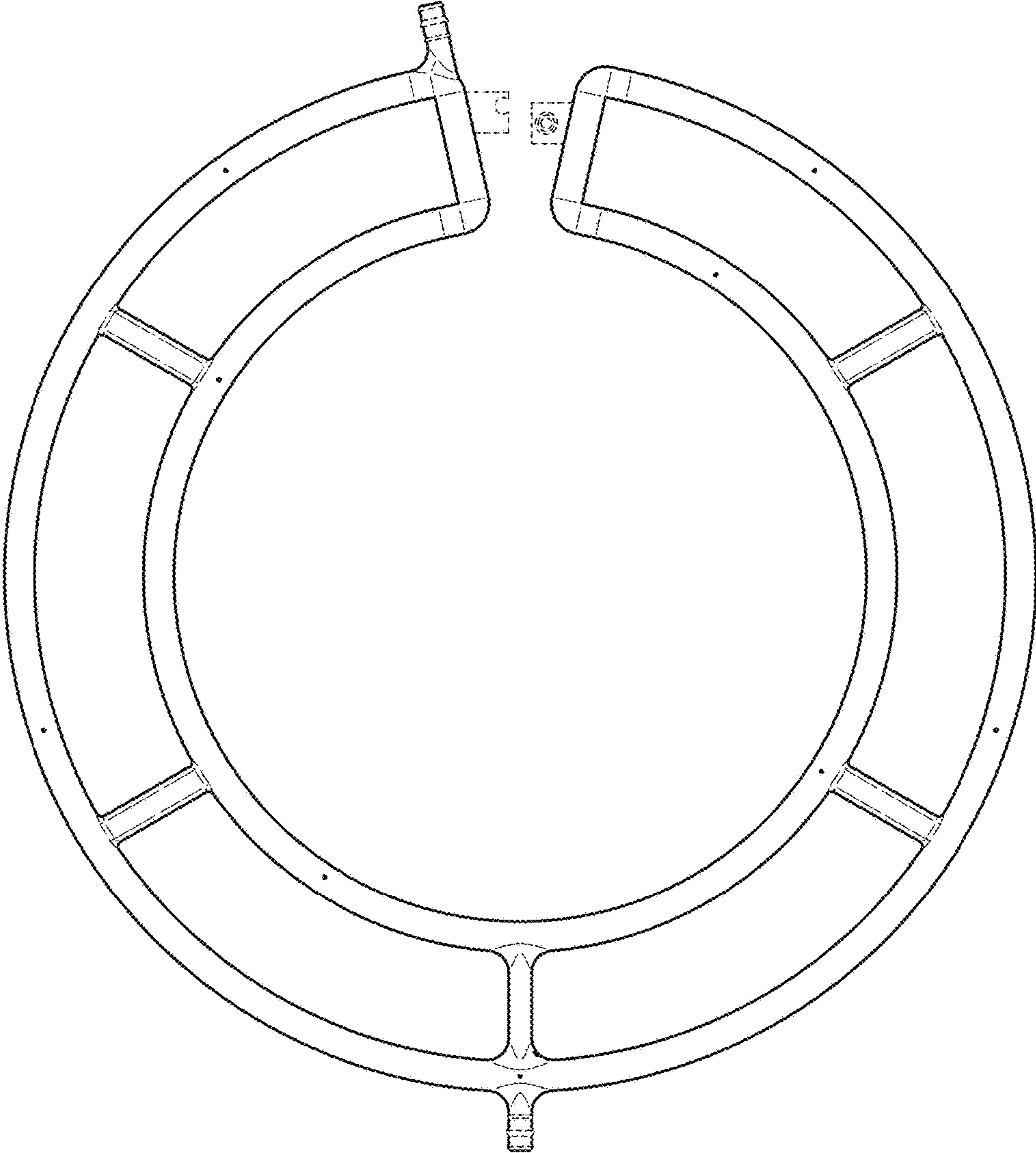


FIG. 19

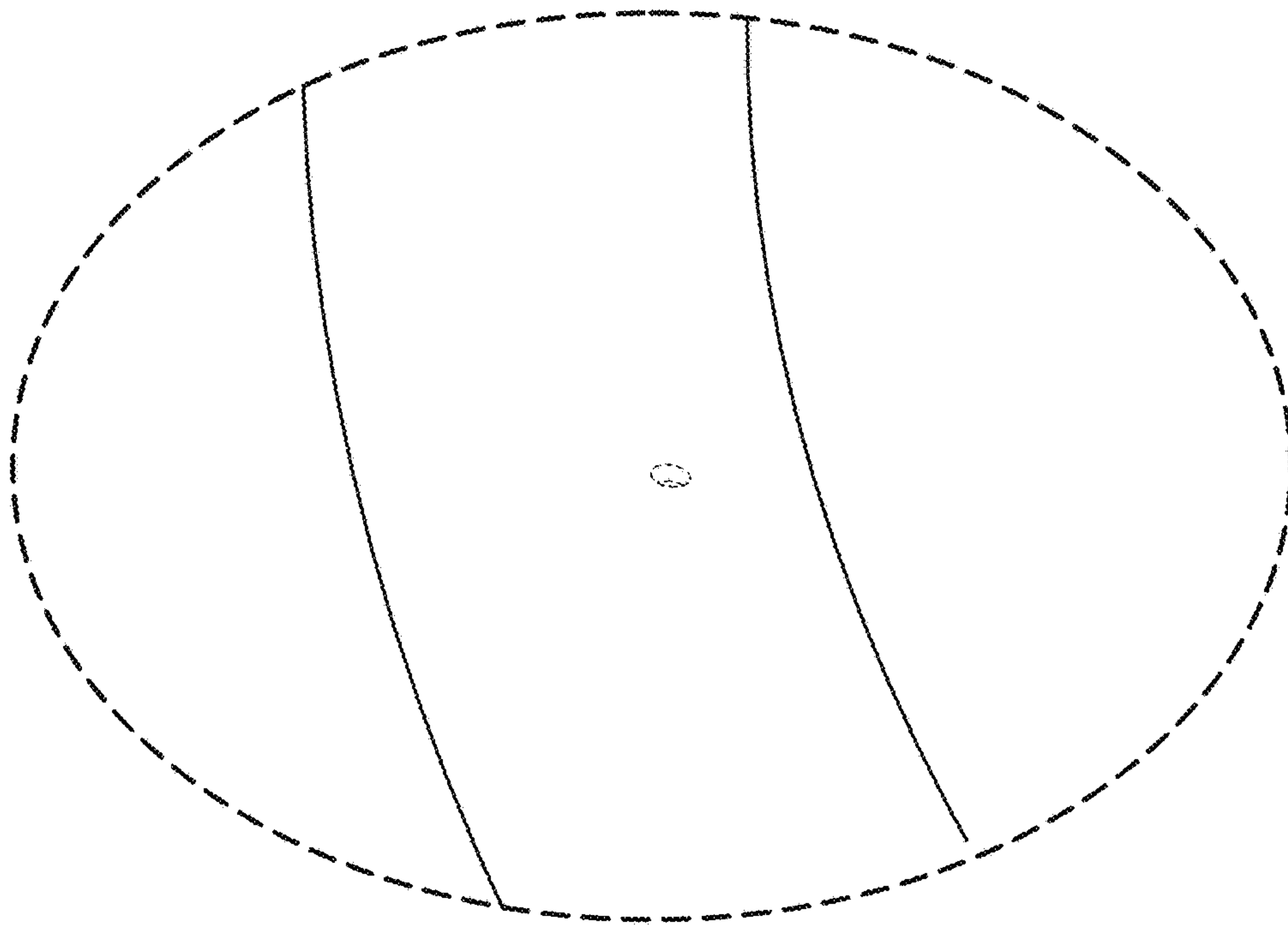


FIG. 20