



US00D862640S

(12) **United States Design Patent**  
**Maibach, Jr.**

(10) **Patent No.:** **US D862,640 S**  
(45) **Date of Patent:** **\*\* Oct. 8, 2019**

- (54) **DISTILLATION HEAD**
- (71) Applicant: **Lab Society LLC**, Longmont, CO (US)
- (72) Inventor: **Michael S. Maibach, Jr.**, Longmont, CO (US)
- (73) Assignee: **Lab Society LLC**, Boulder, CO (US)
- (\*\*) Term: **15 Years**
- (21) Appl. No.: **29/614,926**
- (22) Filed: **Aug. 24, 2017**
- (51) **LOC (12) Cl.** ..... **23-01**
- (52) **U.S. Cl.**  
USPC ..... **D23/207**
- (58) **Field of Classification Search**  
USPC ..... D23/207, 209, 213, 223, 233, 235, 237,  
D23/241, 242, 244, 245-249, 259, 262,  
D23/263, 266, 268; 202/83, 255, 257,  
202/270; D24/216, 231, 232  
CPC . B01D 3/04; B01D 3/06; B01D 3/065; B01D  
3/08; F16L 47/32; F16L 41/021  
See application file for complete search history.

D802,084 S *	11/2017	Kremerman	.....	D23/207
D802,085 S *	11/2017	Kremerman	.....	D23/207
D805,599 S *	12/2017	Kremerman	.....	D23/207
D805,600 S *	12/2017	Kremerman	.....	D23/207
9,895,626 B2 *	2/2018	Kremerman	.....	B01D 3/26
D819,779 S *	6/2018	Kremerman	.....	D23/207
D824,484 S *	7/2018	Zou	.....	D23/209
D826,374 S *	8/2018	Berducat	.....	D23/209

\* cited by examiner

*Primary Examiner* — Anhdao Doan  
*Assistant Examiner* — Mary Shannon Malley  
(74) *Attorney, Agent, or Firm* — Justin McNaughton;  
Greenspoon Marder LLP

(57) **CLAIM**

The ornamental design for a distillation head, as shown and described.

**DESCRIPTION**

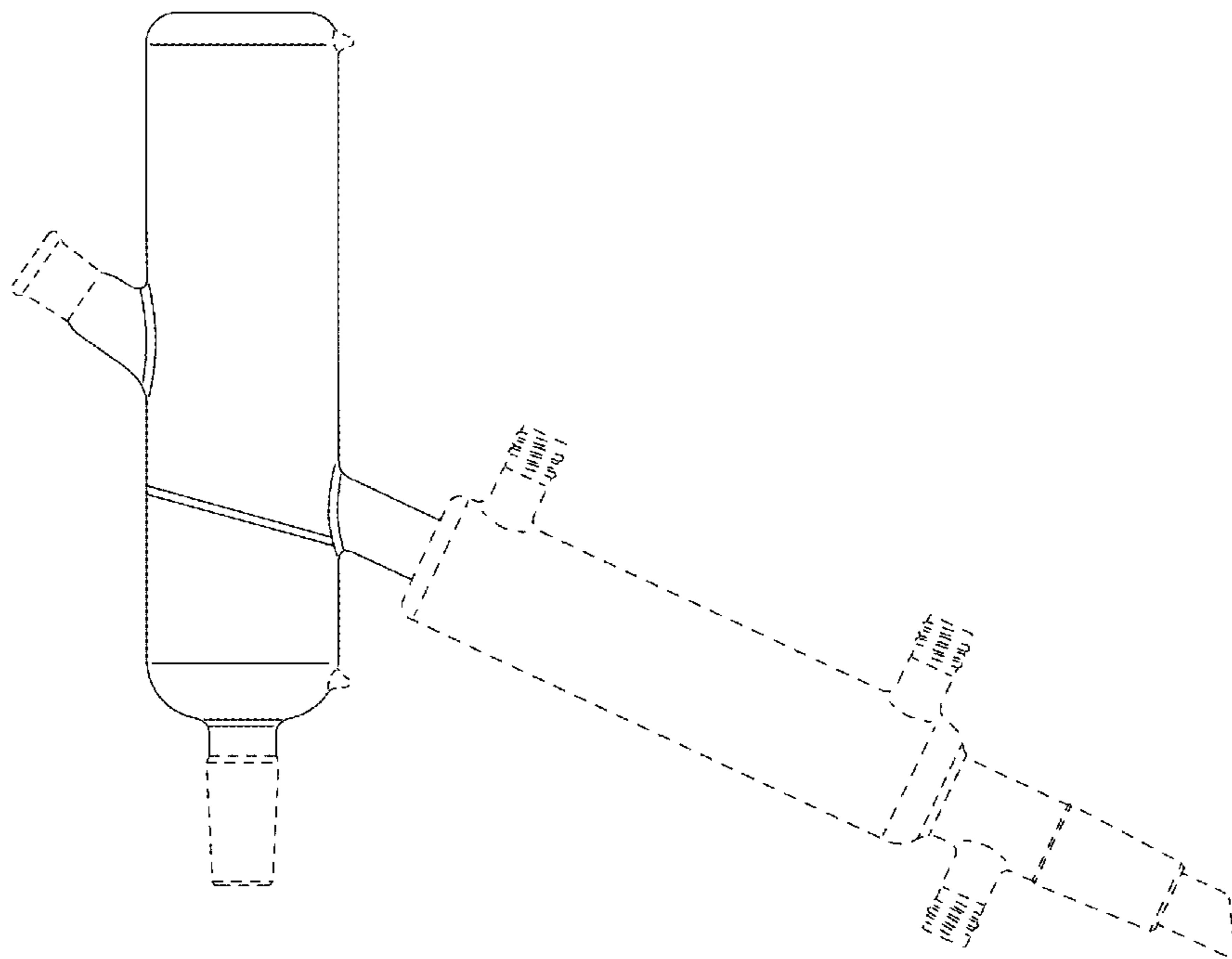
FIG. 1 is a right side elevational view of a distillation head, showing my new design;  
FIG. 2 is a left side elevational view thereof;  
FIG. 3 is a front elevational view thereof;  
FIG. 4 is a rear elevational view thereof;  
FIG. 5 is top plan view thereof; and,  
FIG. 6 is a bottom plan view thereof; and,  
FIG. 7 is a cross sectional view thereof.  
The broken lines shown in the figures represent portions of the distillation head that form no part of the claimed design.

**1 Claim, 7 Drawing Sheets**

(56) **References Cited**

**U.S. PATENT DOCUMENTS**

D775,310 S *	12/2016	Kremerman	.....	D23/207
D776,238 S *	1/2017	Kremerman	.....	D23/207
D780,887 S *	3/2017	Huda	.....	D23/209
9,682,331 B2 *	6/2017	Kremerman	.....	B01D 3/10



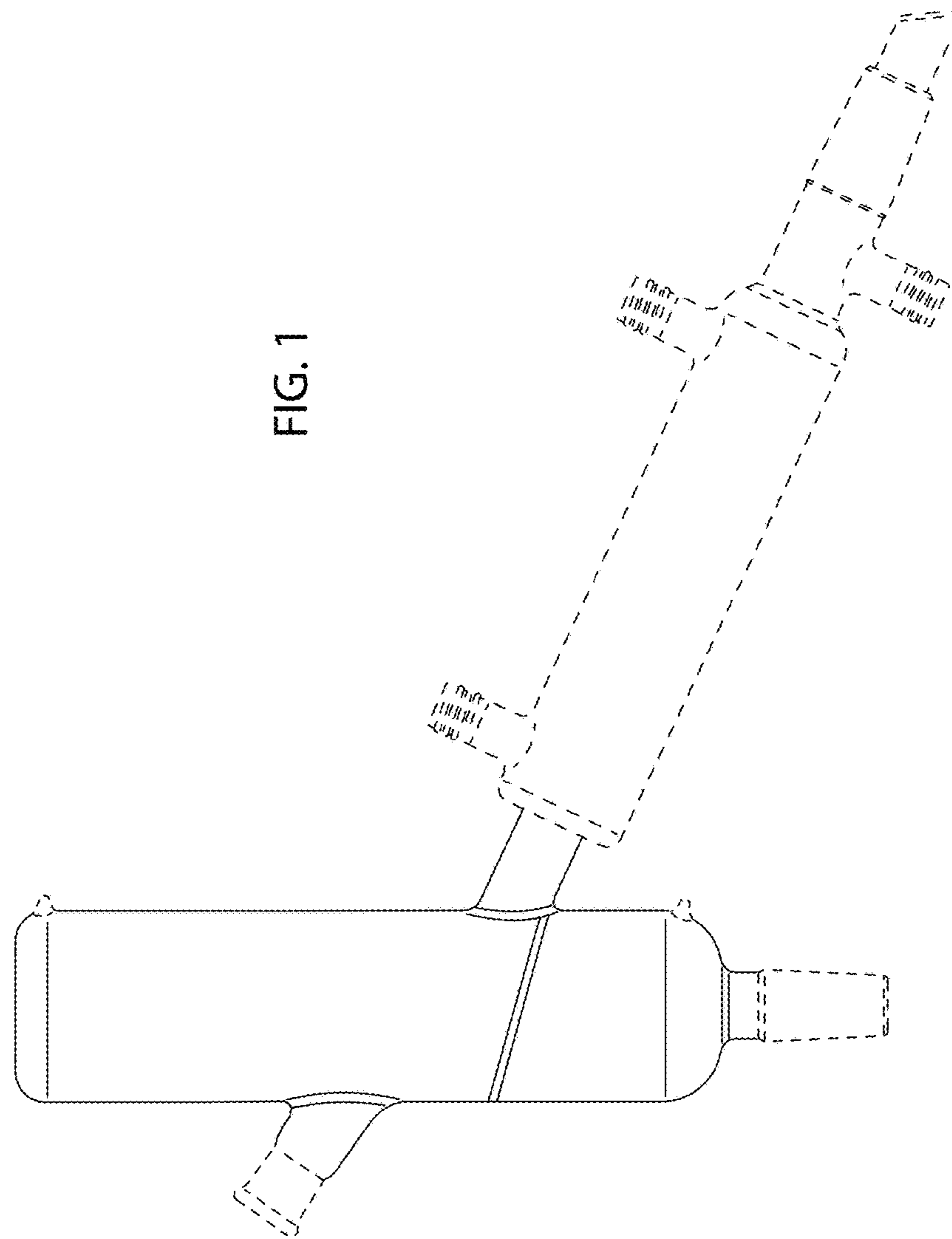


FIG. 1

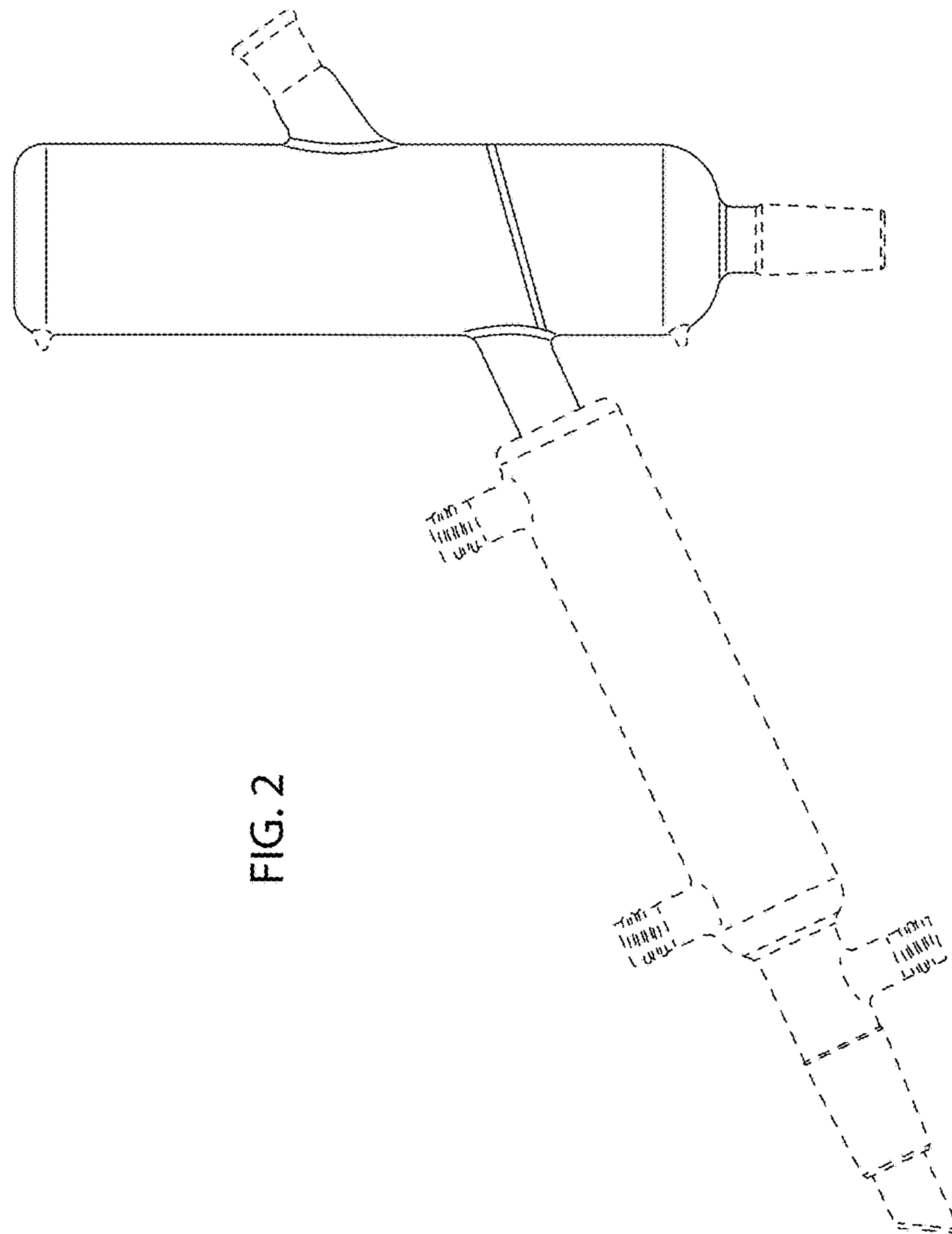


FIG. 2

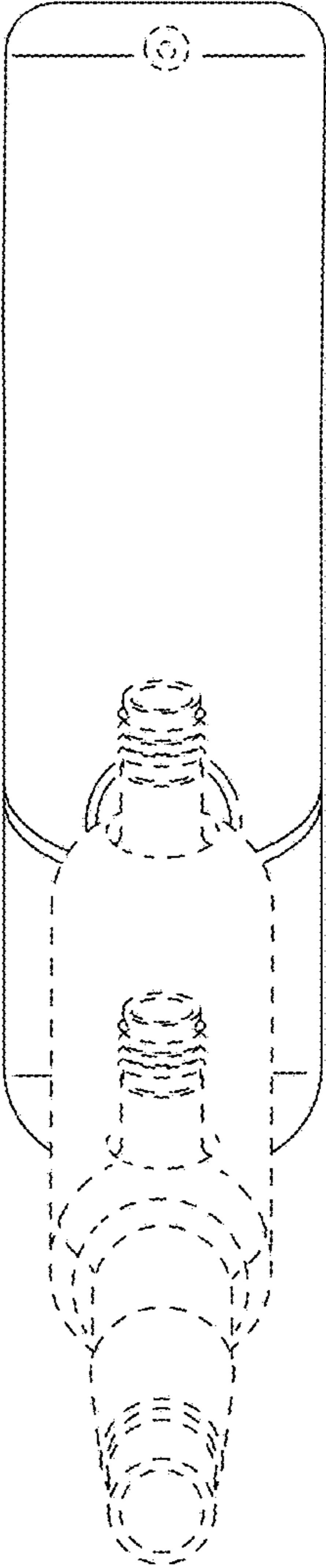


FIG. 3

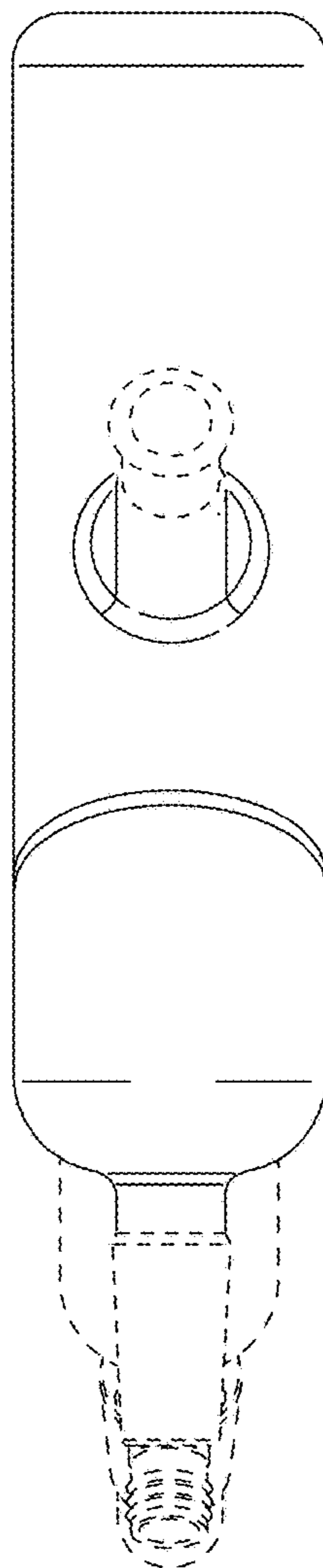


FIG. 4

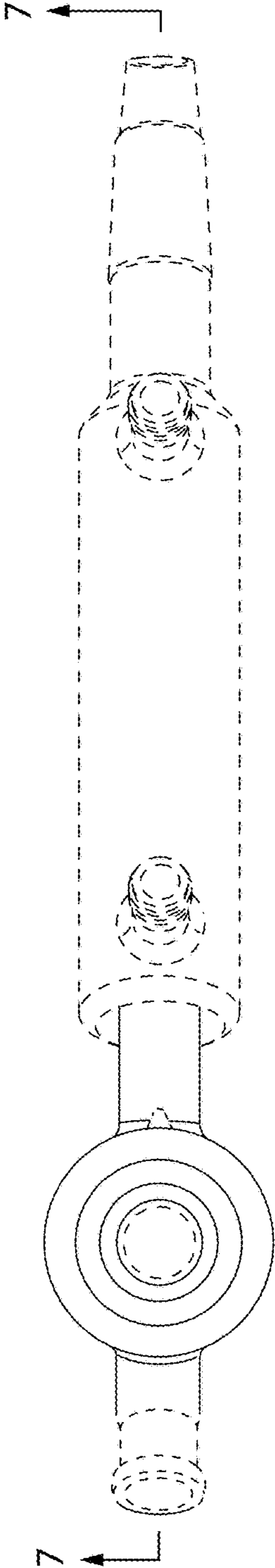


FIG. 5



FIG. 6

FIG. 7

