

US00D862636S

(12) **United States Design Patent**
Madden

(10) **Patent No.:** **US D862,636 S**

(45) **Date of Patent:** **** Oct. 8, 2019**

(54) **BIRD EXCLUSION DEVICE**

(71) Applicant: **Richard Brett Madden**, Point Pleasant Beach, NJ (US)

(72) Inventor: **Richard Brett Madden**, Point Pleasant Beach, NJ (US)

(73) Assignee: **War Bird Manufacturing, Inc.**, Tinton Falls, NJ (US)

(**) Term: **15 Years**

(21) Appl. No.: **29/631,756**

(22) Filed: **Jan. 2, 2018**

(51) **LOC (12) Cl.** **22-06**

(52) **U.S. Cl.**
USPC **D22/120**

(58) **Field of Classification Search**
USPC D22/119–120; 52/98, 101, 288.1, 588.1, 52/717.05; 119/713; D25/47.1, 48.4, 58
(Continued)

(56) **References Cited**

U.S. PATENT DOCUMENTS

D404,107 S * 1/1999 Dimston D22/120
D546,410 S * 7/2007 Wiesener D22/120
(Continued)

OTHER PUBLICATIONS

BirdSlide product catalog, available publicly prior to Jan. 2, 2018.
(Continued)

(74) *Attorney, Agent, or Firm* — Charney IP Law LLC

(57) **CLAIM**

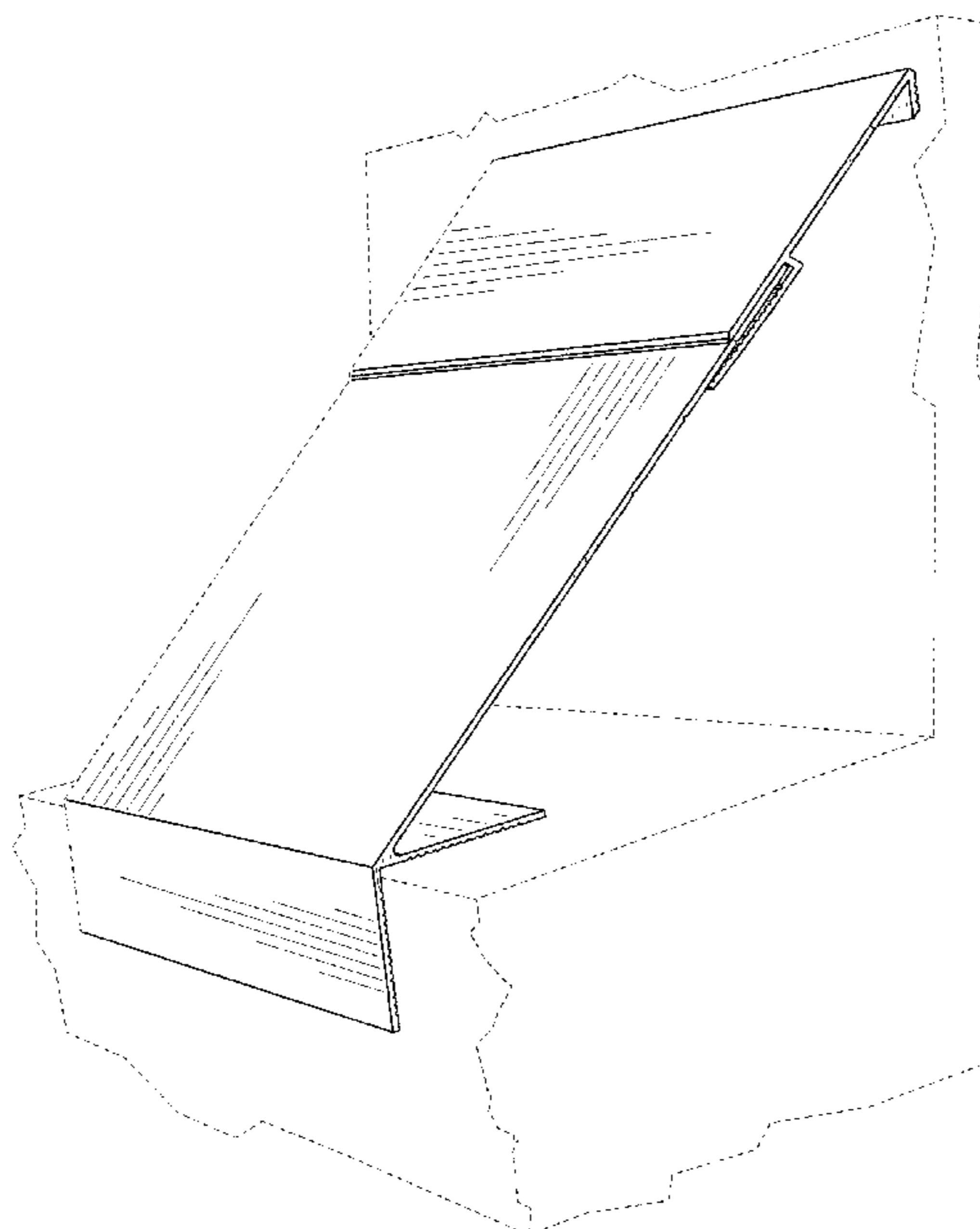
The ornamental design for a bird exclusion device, as shown and described.

DESCRIPTION

FIG. 1 is a top perspective view of a bird exclusion device in accordance with a first embodiment of the invention; FIG. 2 is a bottom perspective view of the bird exclusion device of FIG. 1; FIG. 3 is a right side view of the bird exclusion device of FIG. 1; FIG. 4 is a left side view of the bird exclusion device of FIG. 1; FIG. 5 is a front view of the bird exclusion device of FIG. 1; FIG. 6 is a rear view of the bird exclusion device of FIG. 1; FIG. 7 is a bottom view of the bird exclusion device of FIG. 1; FIG. 8 is a top view of the bird exclusion device of FIG. 1; FIG. 9 is a top perspective view of a bird exclusion device in accordance with a second embodiment of the invention; FIG. 10 is a bottom perspective view of the bird exclusion device of FIG. 9; FIG. 11 is a right side view of the bird exclusion device of FIG. 9; FIG. 12 is a left side view of the bird exclusion device of FIG. 9; FIG. 13 is a front view of the bird exclusion device of FIG. 9; FIG. 14 is a rear view of the bird exclusion device of FIG. 9; FIG. 15 is a bottom view of the bird exclusion device of FIG. 9; and, FIG. 16 is a top view of the bird exclusion device of FIG. 9. The broken lines depict environmental structure and are for illustrative purposes only and form no part of the claimed design.

Primary Examiner — Catherine R Oliver-Garcia

1 Claim, 10 Drawing Sheets



(58) **Field of Classification Search**

CPC A01M 29/32; E04D 13/00; E04D 13/004;
E04B 1/72; E04F 15/00; E04F 15/02038

See application file for complete search history.

(56) **References Cited**

U.S. PATENT DOCUMENTS

D625,381 S * 10/2010 Asaoka D22/120
8,640,397 B2 2/2014 Donoho
8,689,497 B2 4/2014 Donoho
8,925,256 B2 1/2015 Donoho
9,185,900 B2 11/2015 Donoho
D842,424 S * 3/2019 Turner D22/120
2006/0207195 A1 * 9/2006 Donoho A01M 29/32
52/101
2011/0209419 A1 * 9/2011 Lippie A01M 29/32
52/101
2014/0033623 A1 * 2/2014 Donoho A01M 29/32
52/101

OTHER PUBLICATIONS

Bird Slope product catalog, available publicly prior to Jan. 2, 2018.
Toni Bird Slides product cut sheet, available publicly prior to Jan.
2, 2018.

* cited by examiner

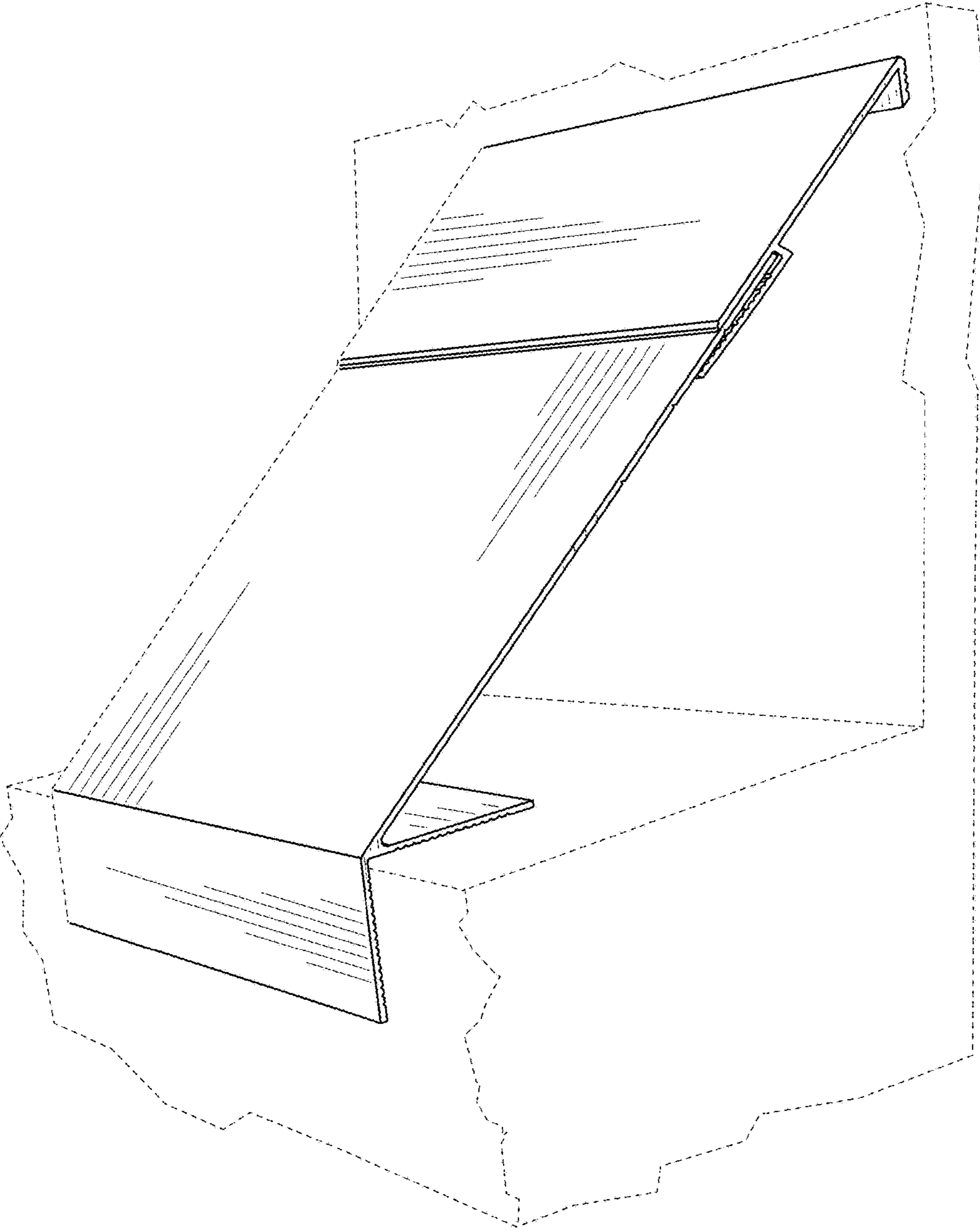


FIG. 1

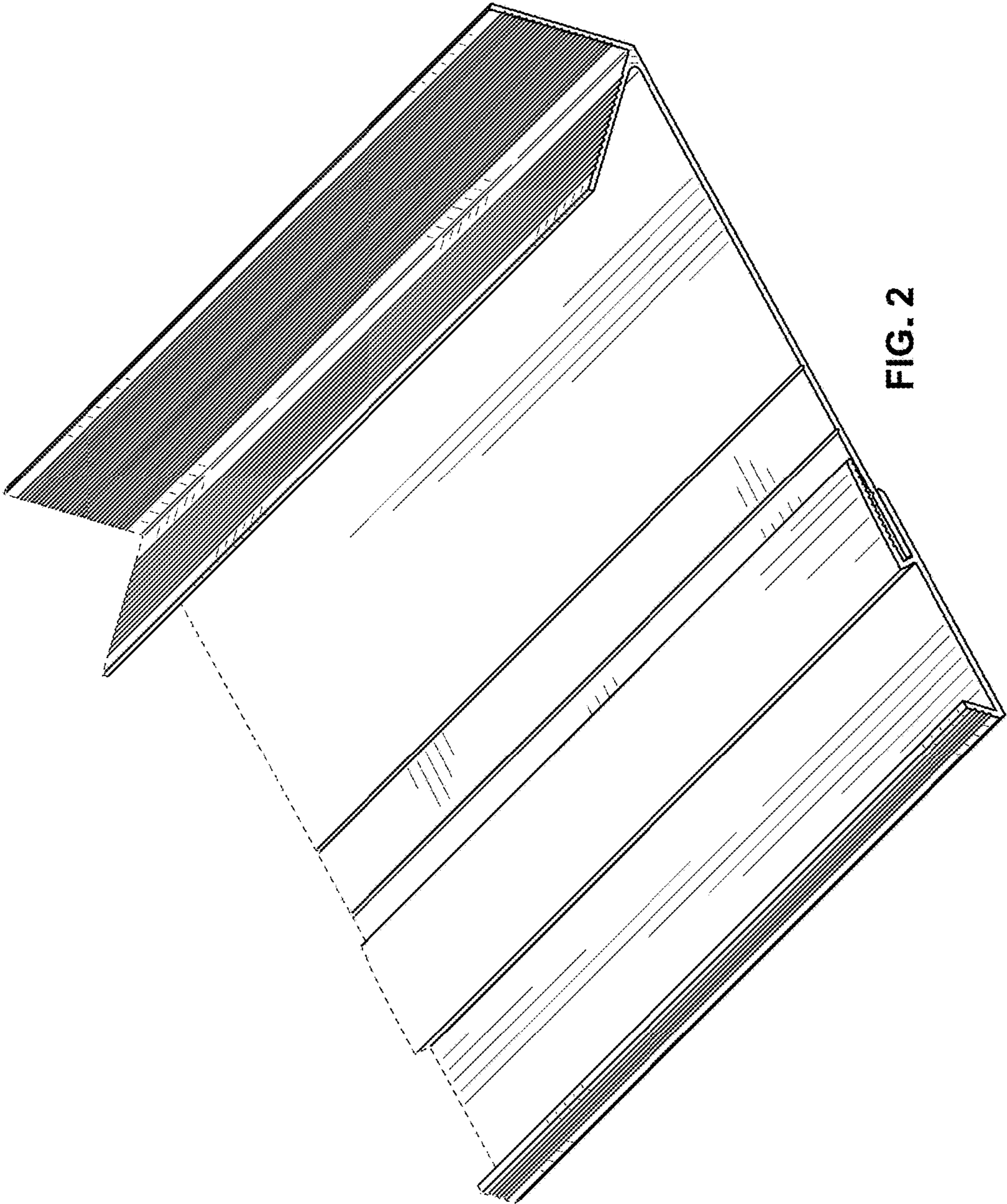


FIG. 2

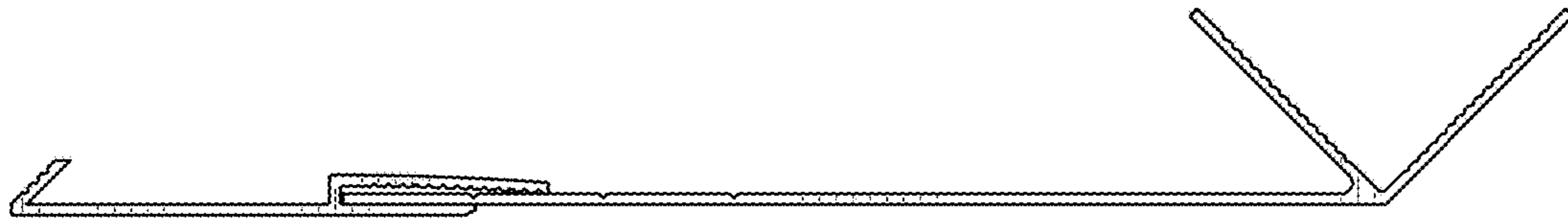


FIG. 3

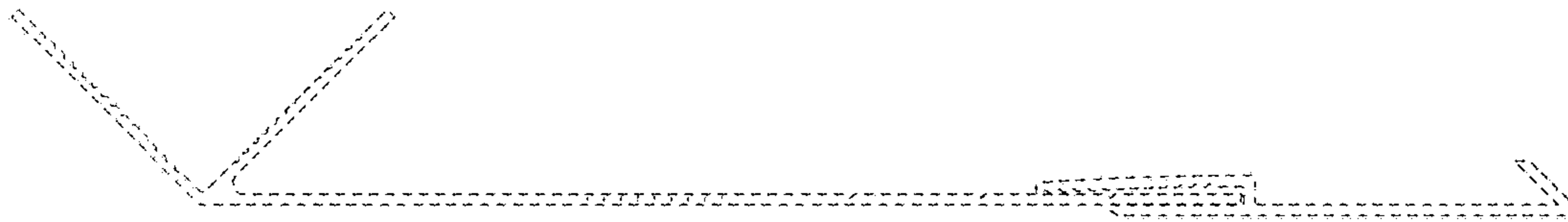


FIG. 4



FIG. 5

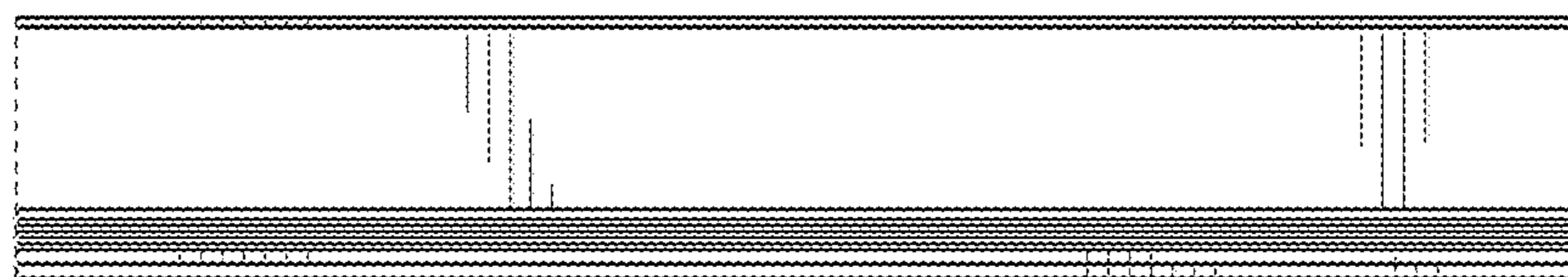


FIG. 6

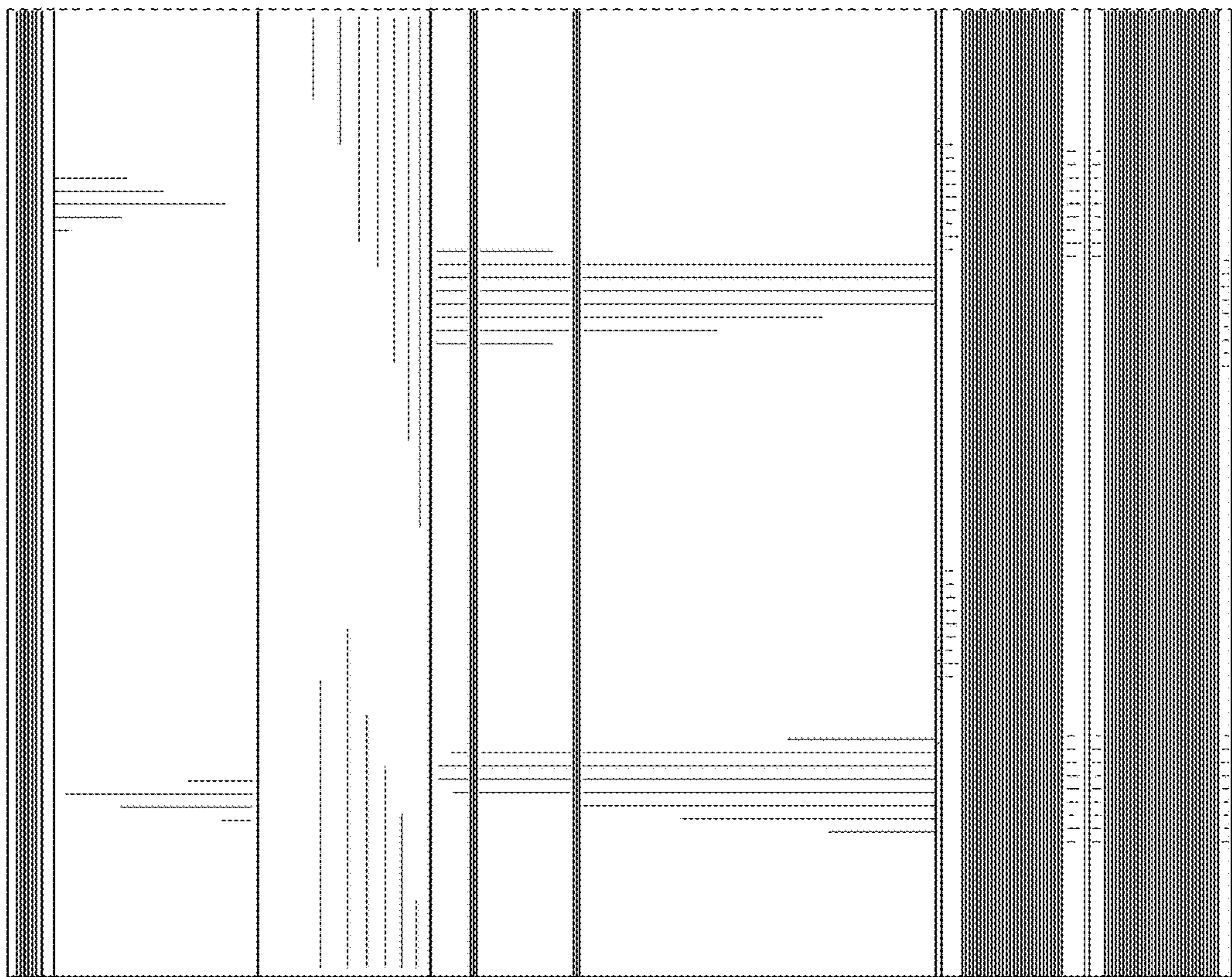


FIG. 7

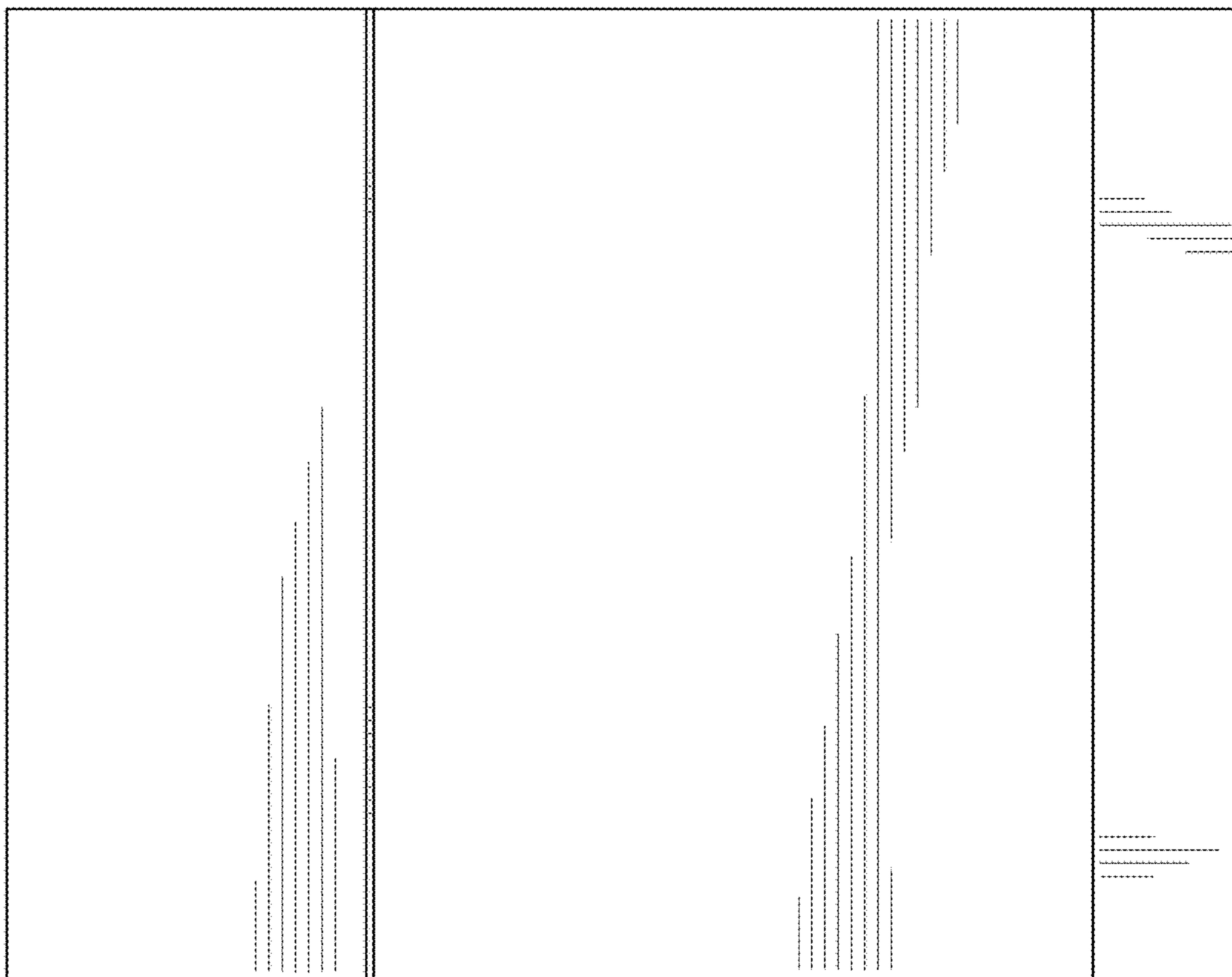


FIG. 8

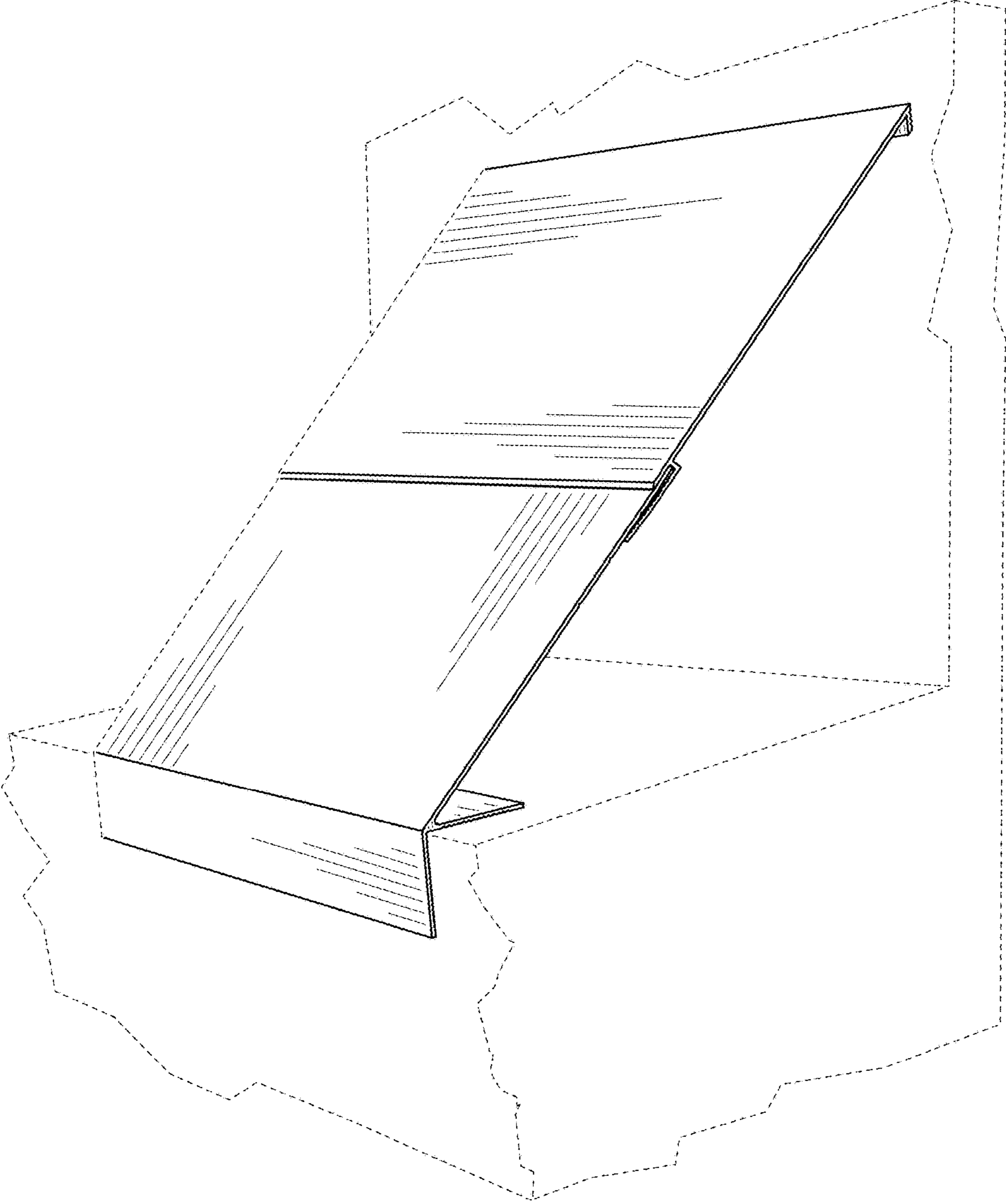


FIG. 9

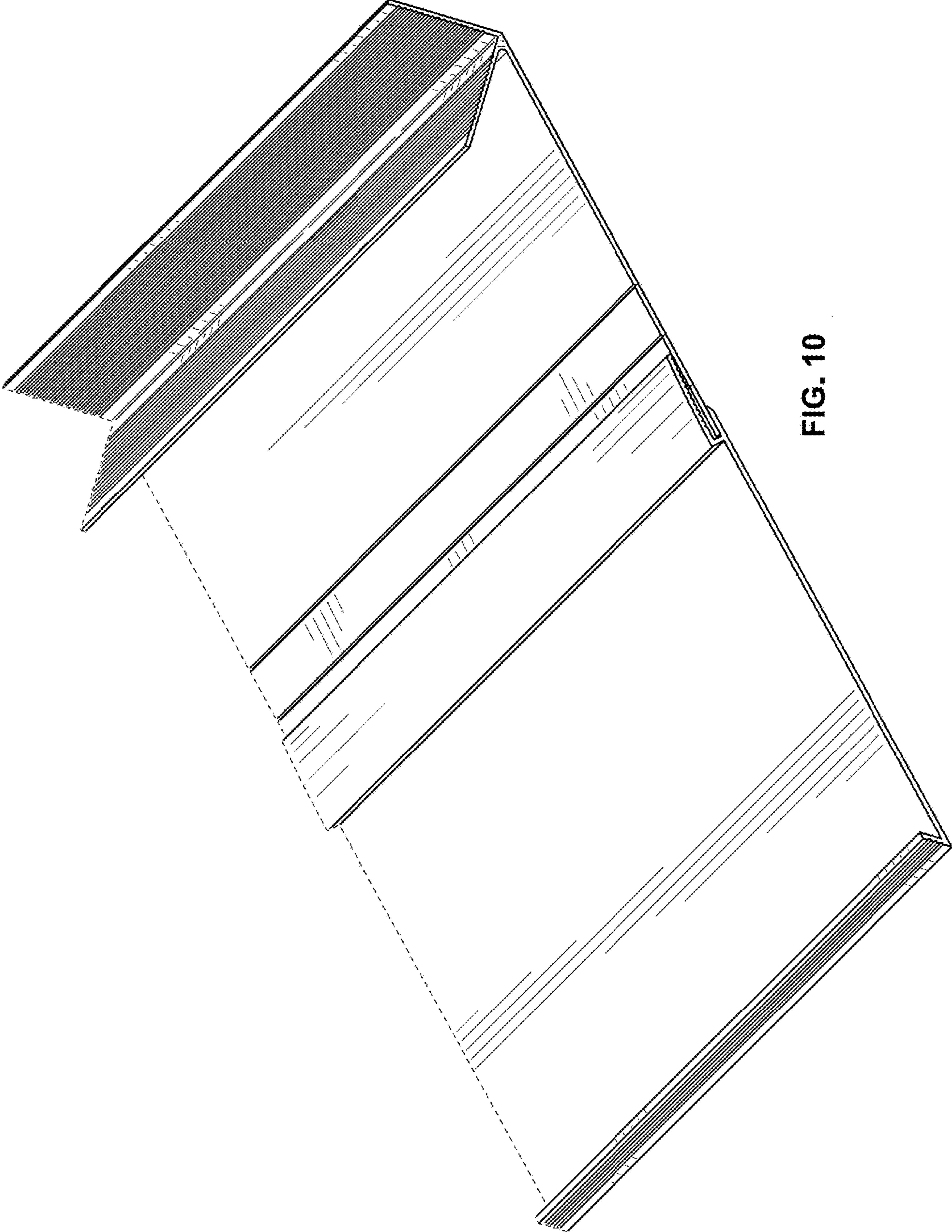


FIG. 10

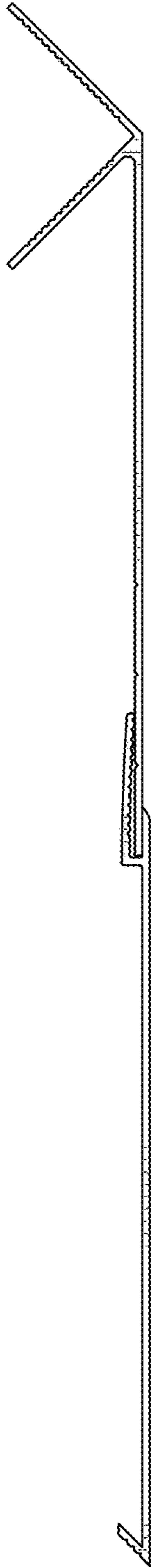


FIG. 11

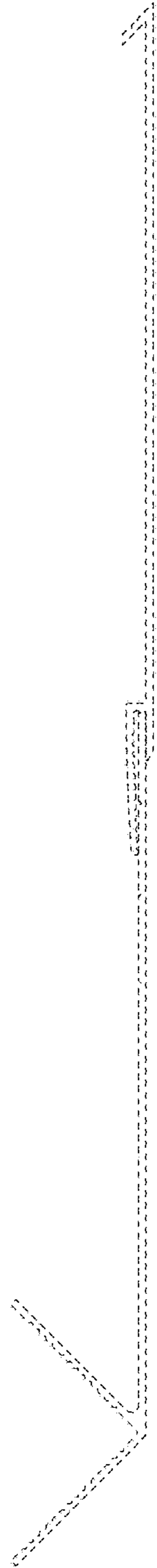


FIG. 12

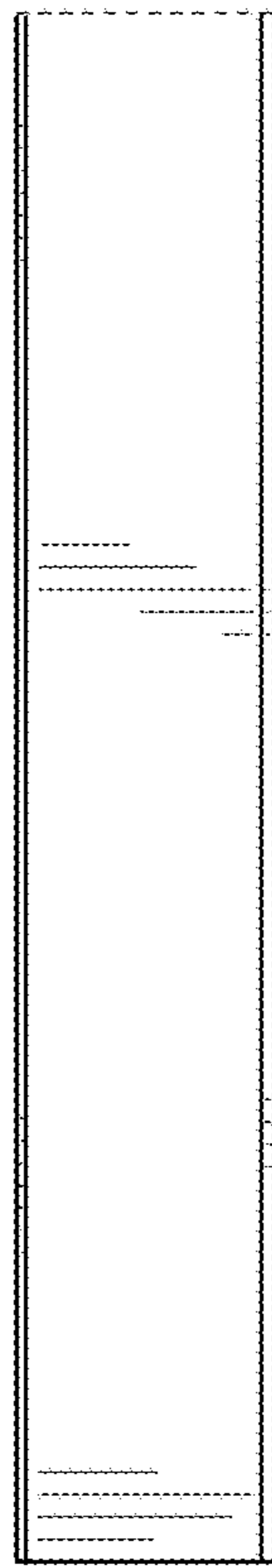


FIG. 13

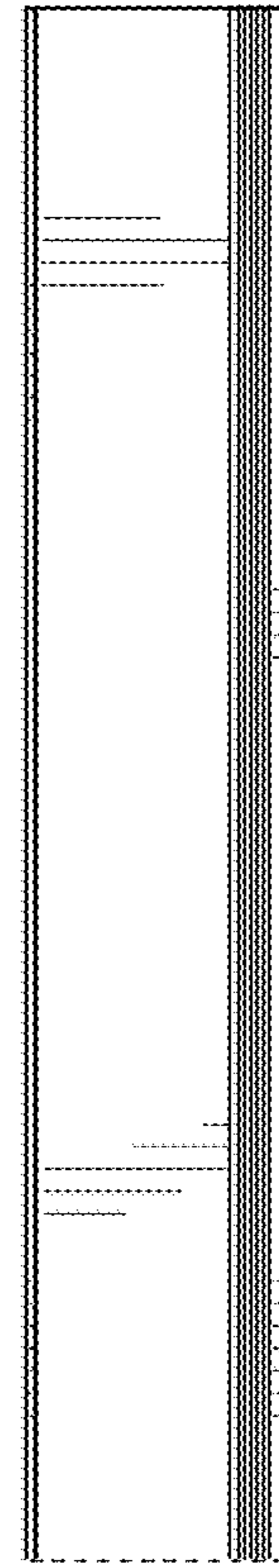


FIG. 14

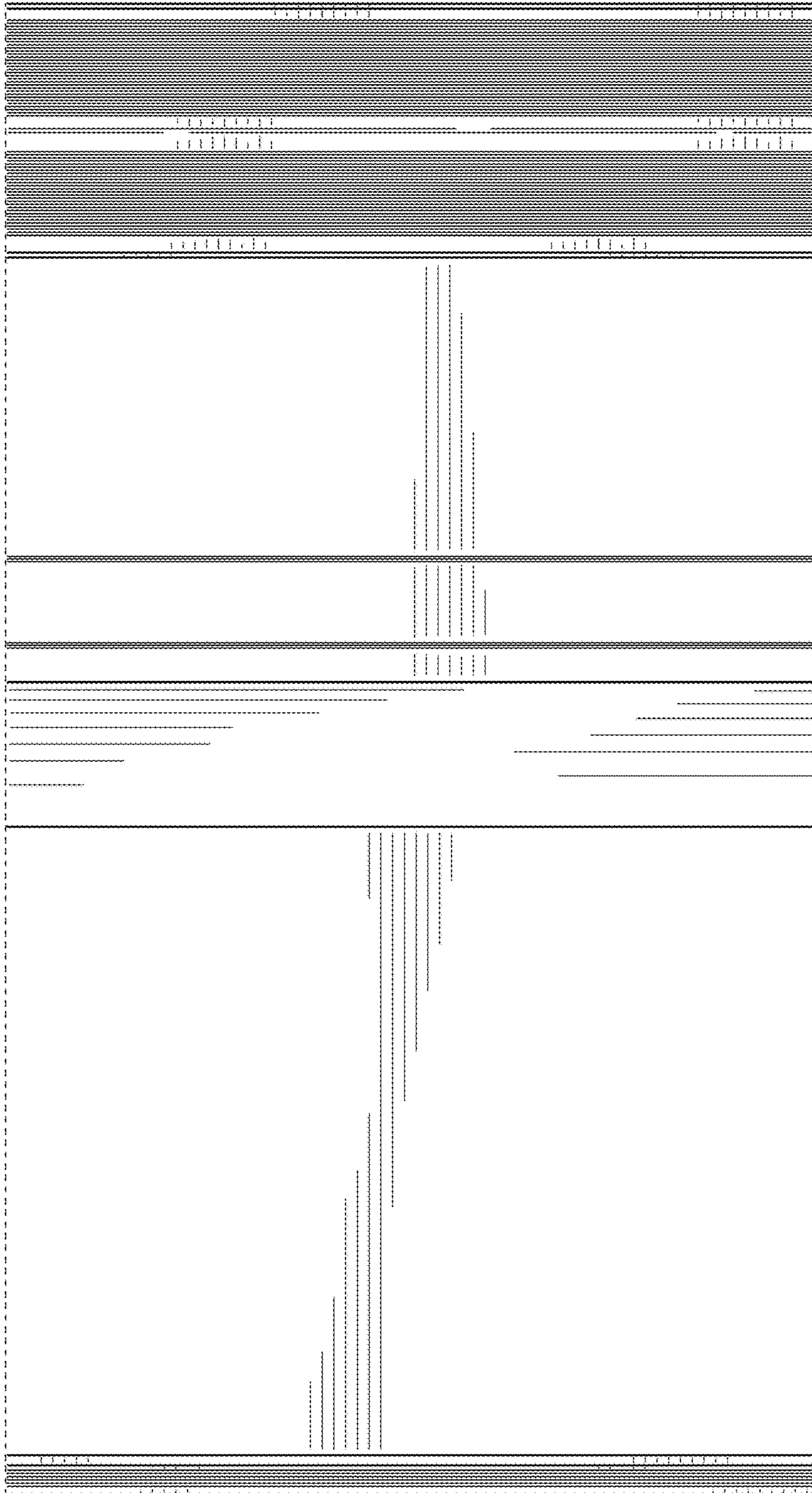


FIG. 15

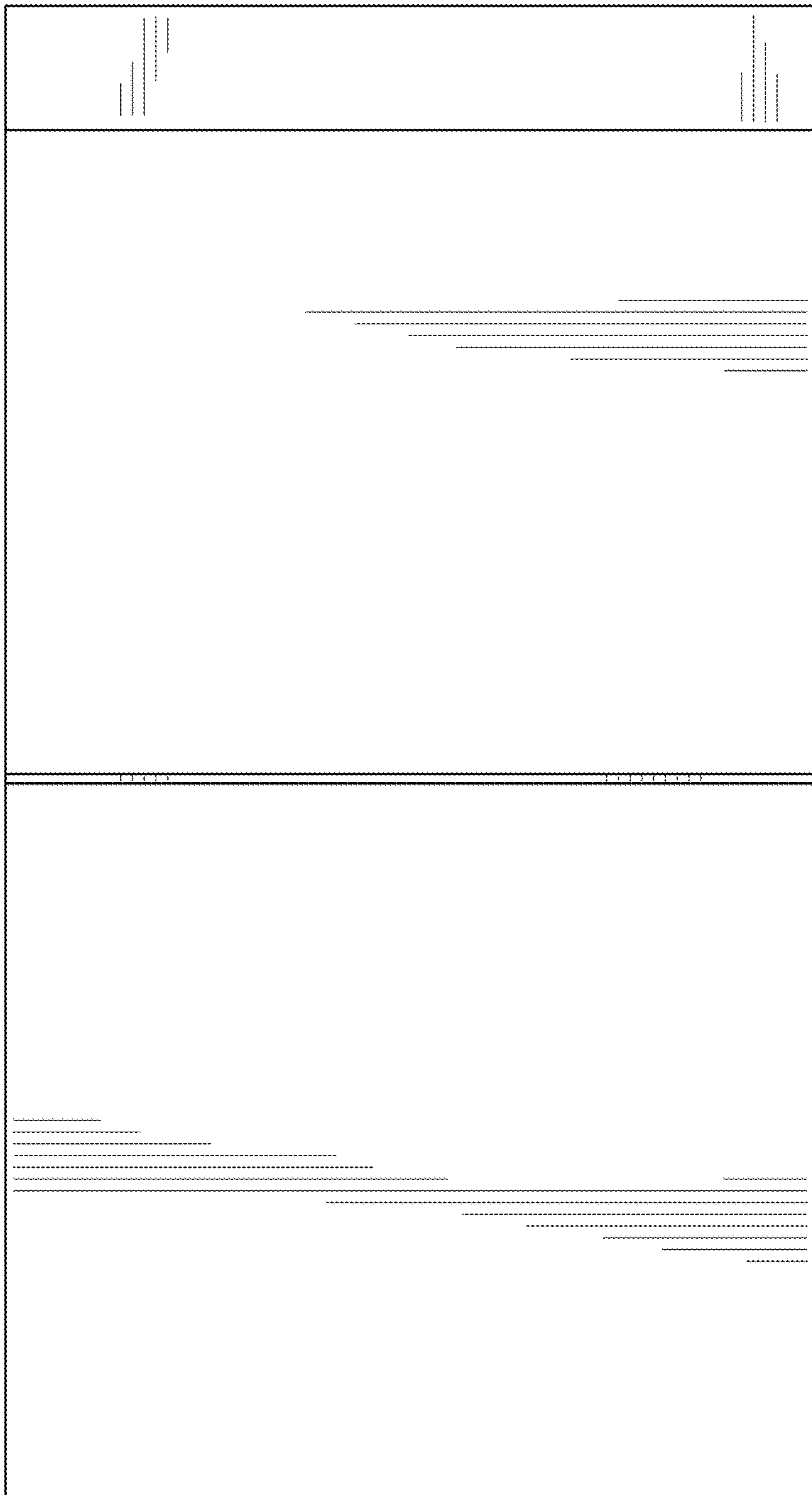


FIG. 16