

US00D862634S

(12) **United States Design Patent**  
**Delgado Acarreta et al.**

(10) **Patent No.:** **US D862,634 S**  
(45) **Date of Patent:** **\*\* Oct. 8, 2019**

(54) **RAIL ADAPTOR FOR SMALL AND LIGHT FIREARMS**

(71) Applicant: **RADE TECNOLOGÍAS, S.L.**,  
Saragossa (ES)  
(72) Inventors: **Raúl Delgado Acarreta**, Saragossa  
(ES); **Diego Lorente Algora**, Saragossa  
(ES)

(73) Assignee: **RADE TECHNOLOGIAS, S.L.** (ES)

(\*\*) Term: **15 Years**

(21) Appl. No.: **29/656,737**

(22) Filed: **Jul. 16, 2018**

(51) **LOC (12) Cl.** ..... **22-01**

(52) **U.S. Cl.**  
USPC ..... **D22/110**

(58) **Field of Classification Search**  
USPC ..... D22/100–111, 115–116, 119–120, 199;  
D21/300, 301, 573–575  
CPC . F41G 1/02; F41G 1/027; F41G 1/033; F41G  
1/06; F41G 3/26; F41C 23/10; F41C  
23/16; F41J 1/00  
See application file for complete search history.

(56) **References Cited**

**U.S. PATENT DOCUMENTS**

D360,250 S	*	7/1995	Coste	.....	D22/109
D636,836 S	*	4/2011	Fitzpatrick	.....	D22/108
D806,822 S	*	1/2018	Bengtsson	.....	D22/110
D819,771 S	*	6/2018	Geissele	.....	D22/110
D834,113 S	*	11/2018	Chu	.....	D21/574
D835,748 S	*	12/2018	Stewart	.....	D22/110

**FOREIGN PATENT DOCUMENTS**

EM 003646959-0001 1/2017

**OTHER PUBLICATIONS**

“Trijicon ACOG Picatinny Rail Adapter TA51” [online]. eurooptic.com. [Retrieved on May 17, 2019]. Retrieved from the Internet: <https://www.eurooptic.com/trijicon-ta51-acog-picatinny-rail-adapter-with-colt-style-thumbscrews.aspx>.  
“Rail to Rail Adapter (Picatinny or Weaver)” [online]. shapeways.com. [Retrieved on May 17, 2019]. Retrieved from the Internet: <https://www.shapeways.com/product/BZ5U5XUU5/rail-to-rail-adapter-picatinny-or-weaver>.

\* cited by examiner

*Primary Examiner* — Khawaja Anwar  
*Assistant Examiner* — Mojtaba Tehrani  
(74) *Attorney, Agent, or Firm* — Hayes Soloway PC

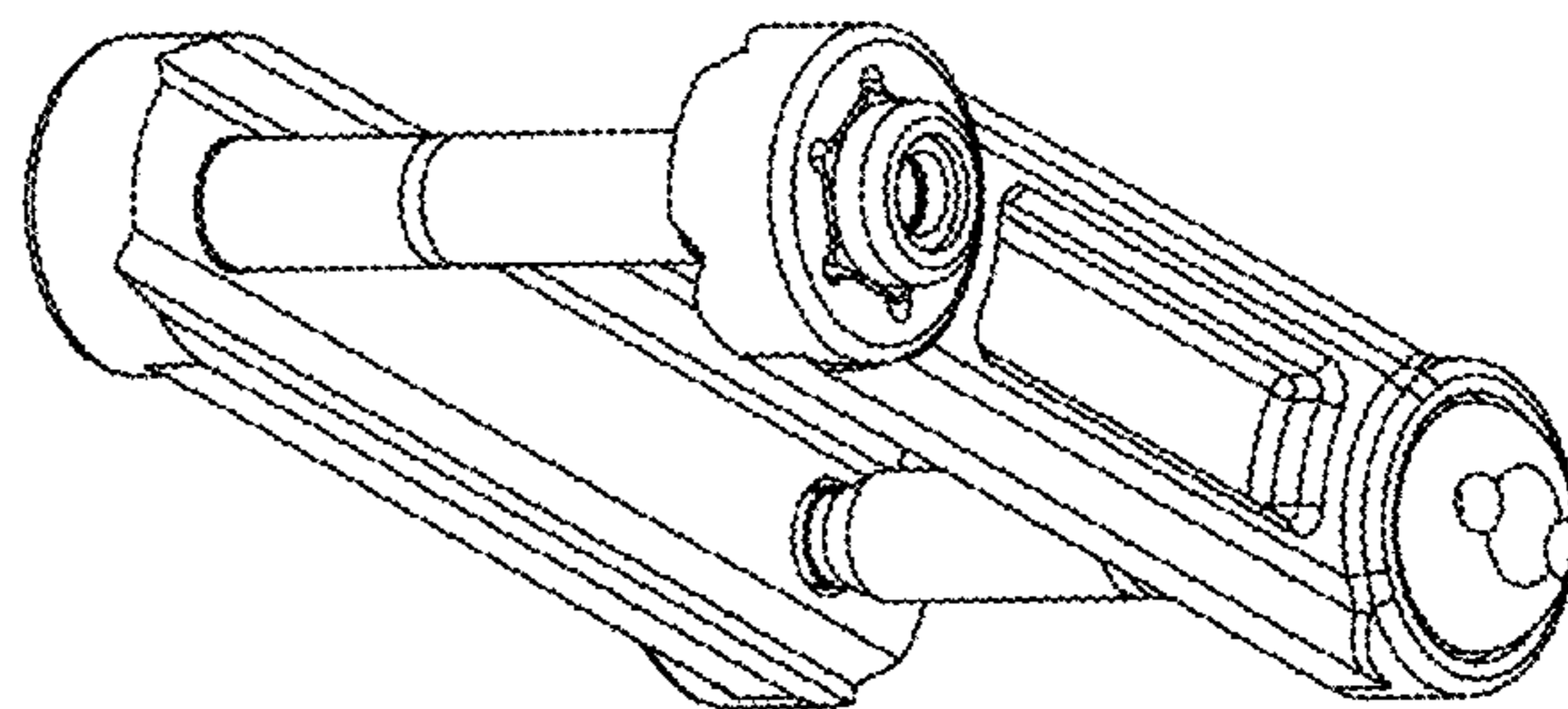
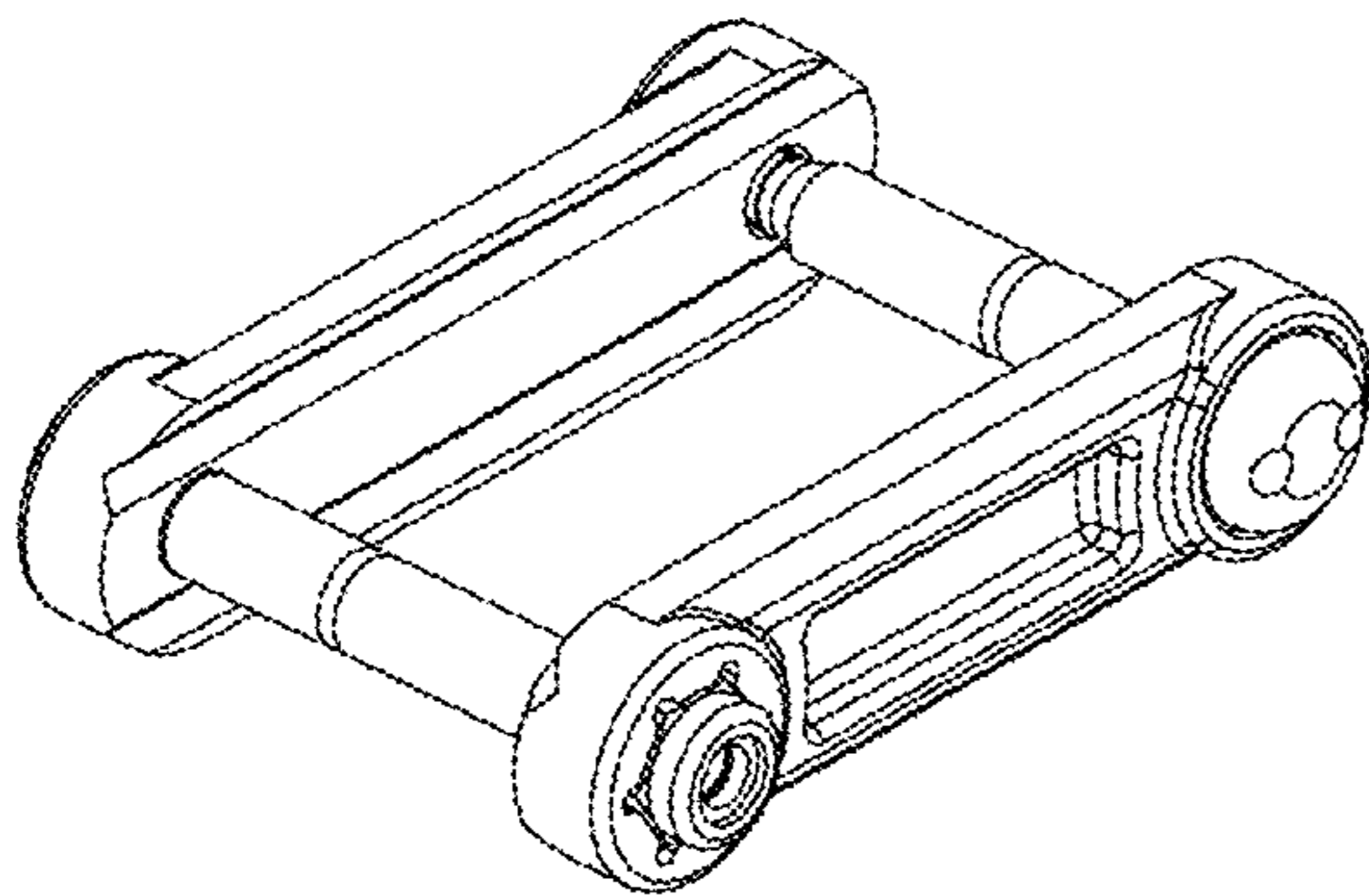
(57) **CLAIM**

We claim the ornamental design for a rail adaptor for small and light firearms, as shown and described.

**DESCRIPTION**

FIG. 1 is a front elevation view of a rail adaptor for small and light firearms showing the new design; FIG. 2 is a rear elevation view thereof; FIG. 3 is a top plan view thereof; FIG. 4 is a bottom plan view thereof; FIG. 5 is a left side elevation view thereof; FIG. 6 is a right side elevation view thereof; FIG. 7 is a front-left-top perspective view thereof; FIG. 8 is a front-left-bottom perspective view thereof; and, FIG. 9 is a front-left-top thereof in condition of use. The broken line in FIG. 9 depicts unclaimed environment only and forms no part of the claimed design.

**1 Claim, 9 Drawing Sheets**



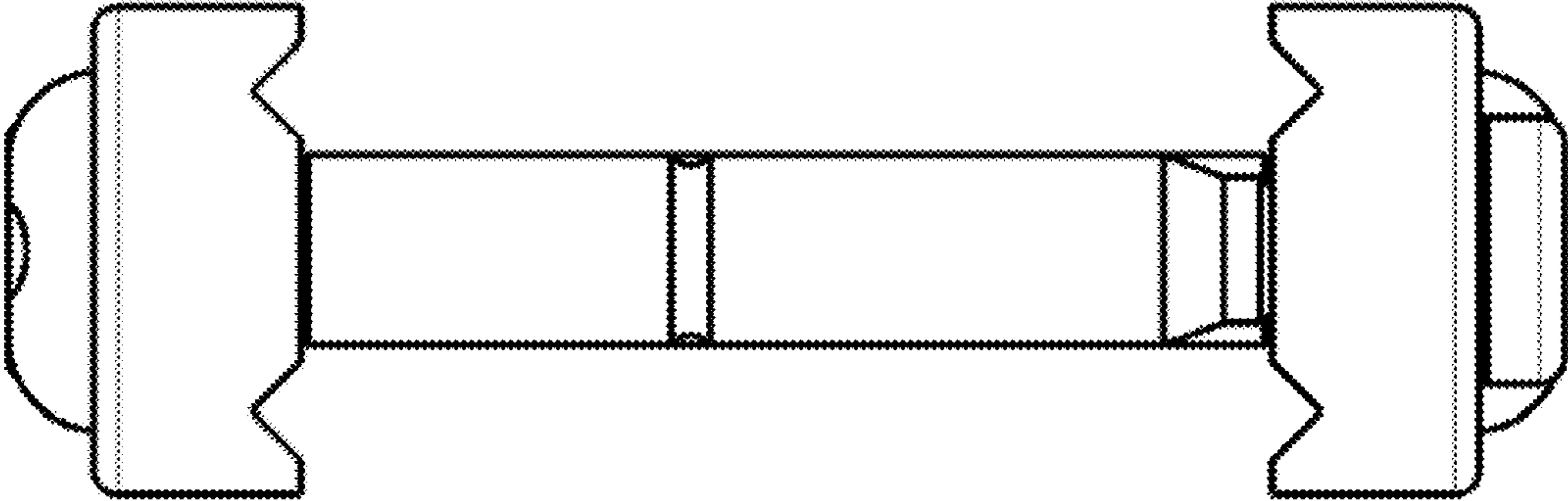


FIG. 1

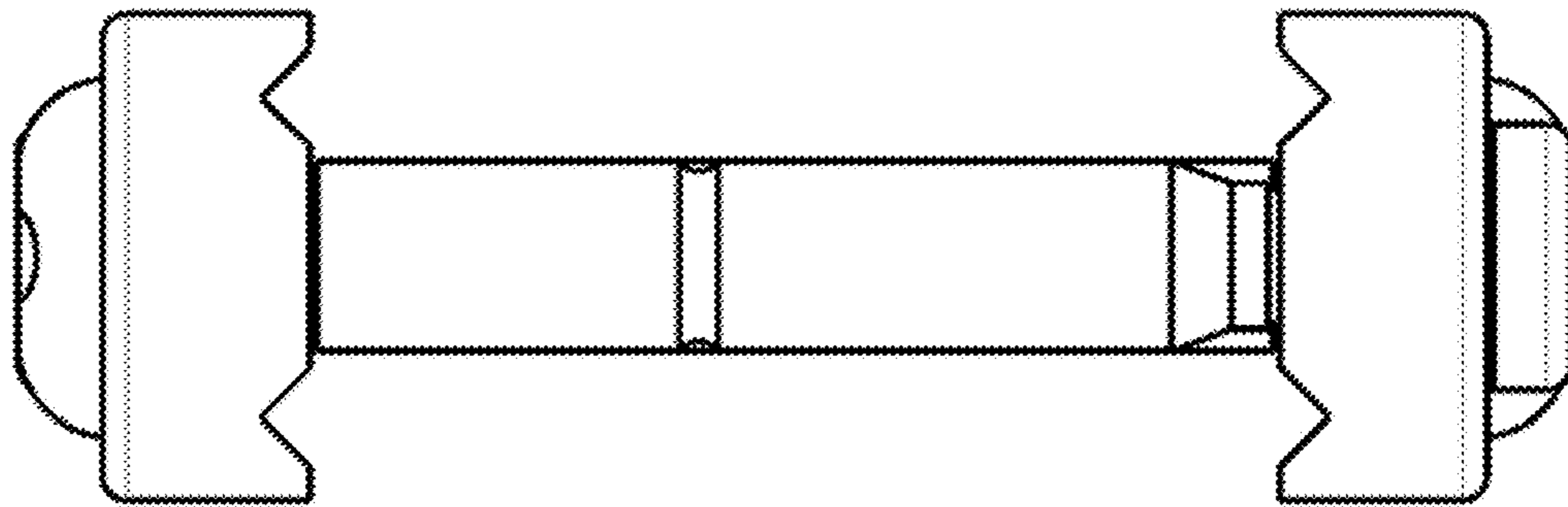


FIG. 2

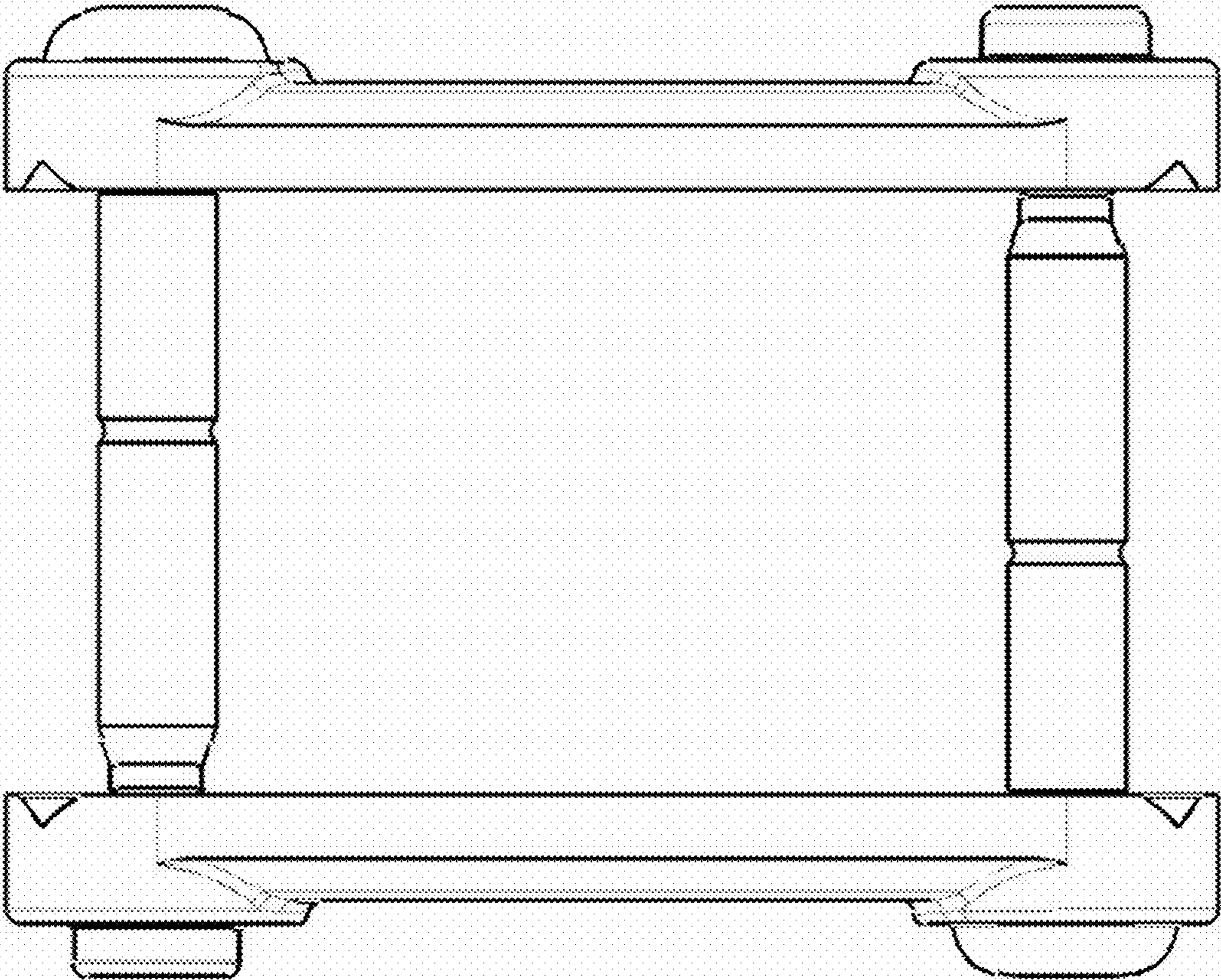


FIG. 3

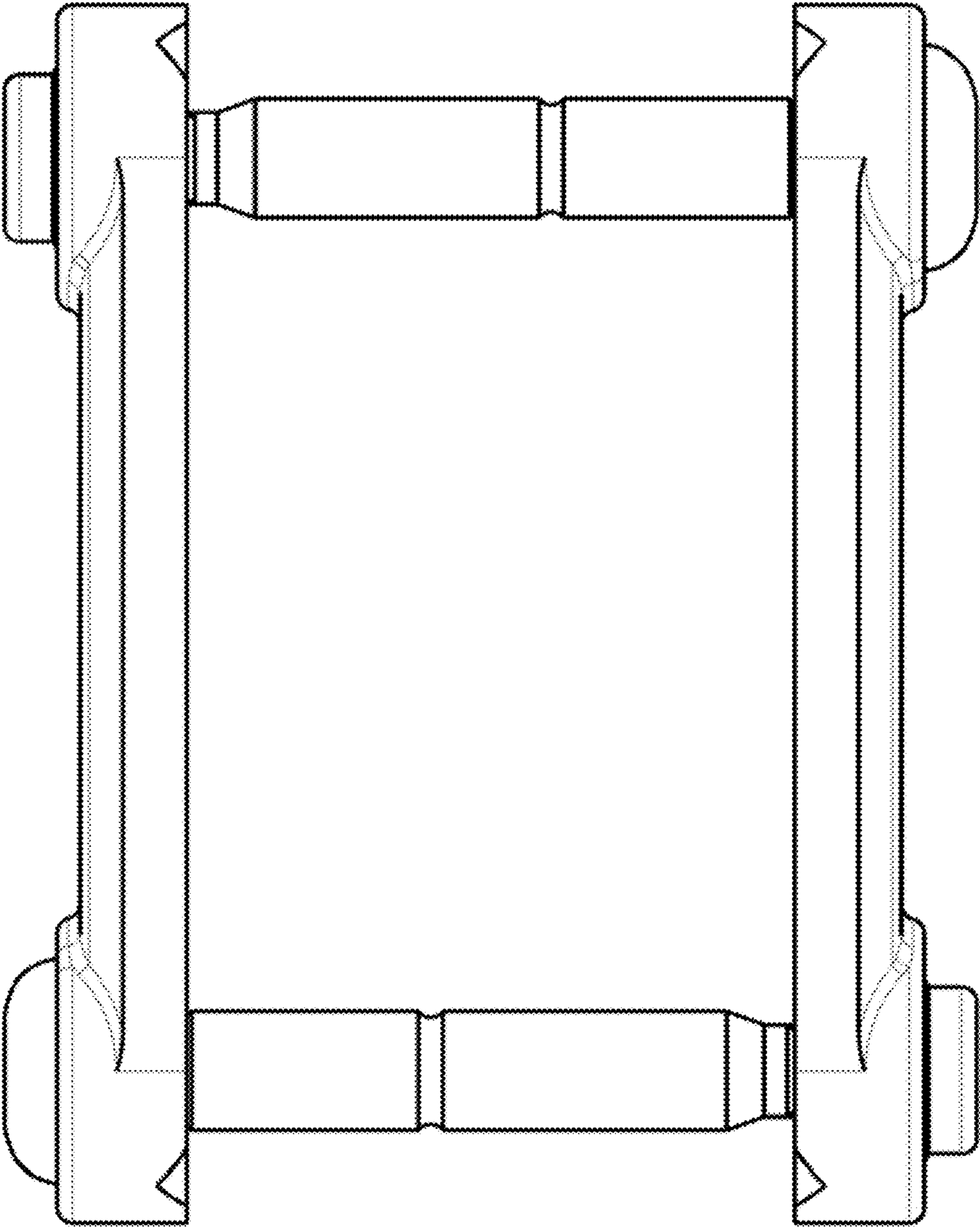


FIG. 4



FIG. 5

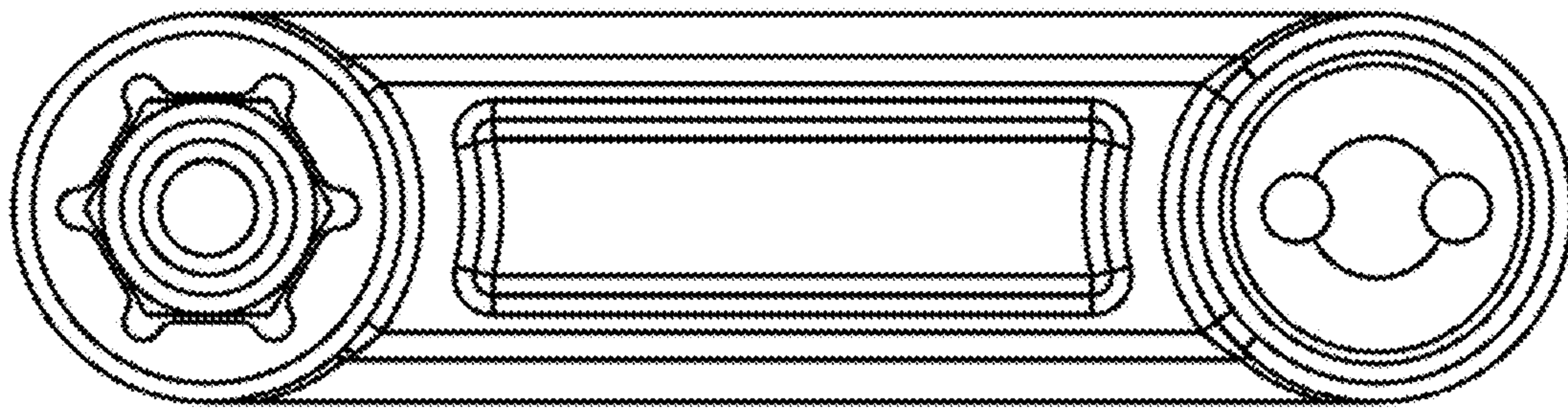


FIG. 6

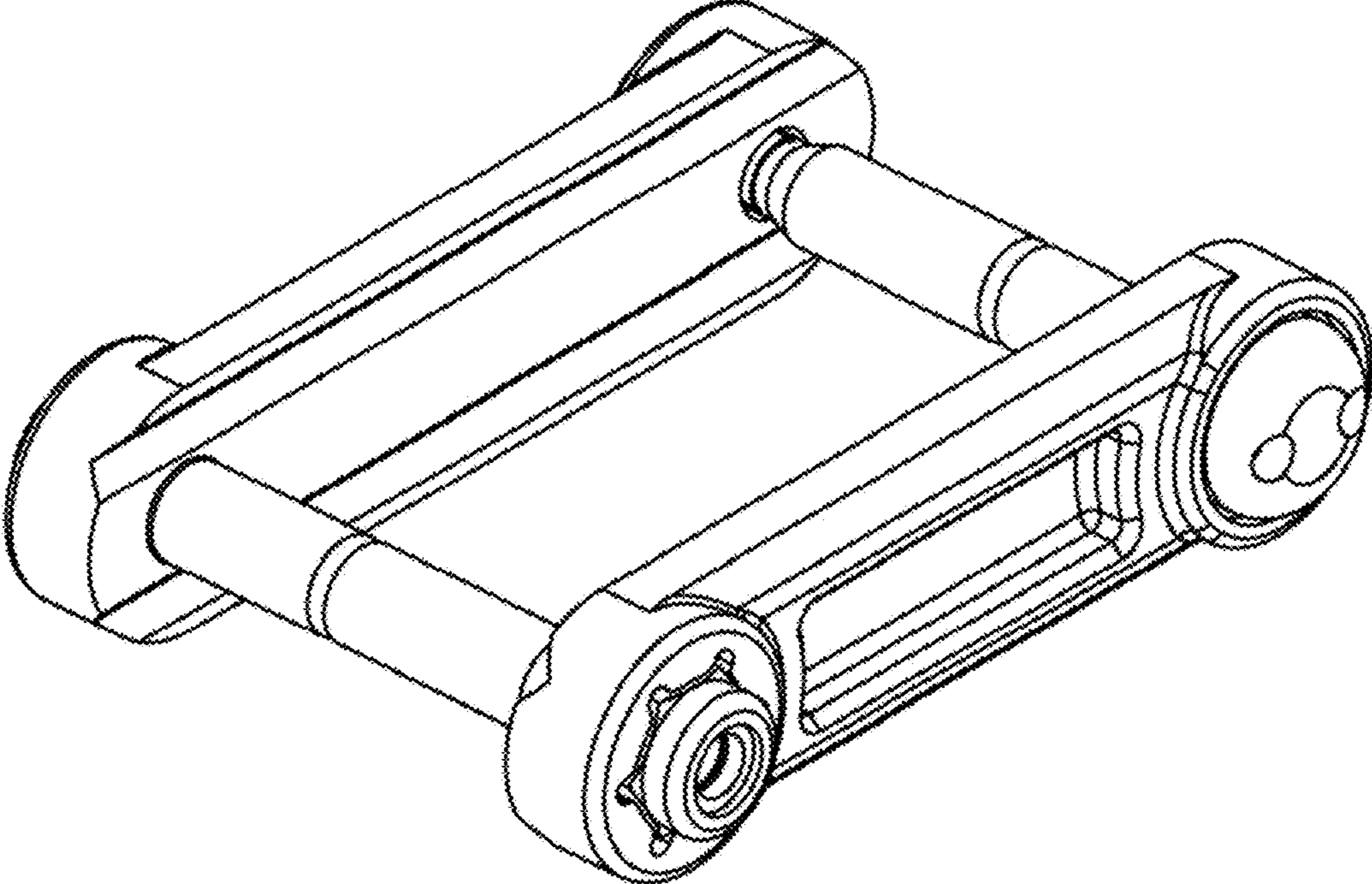


FIG. 7



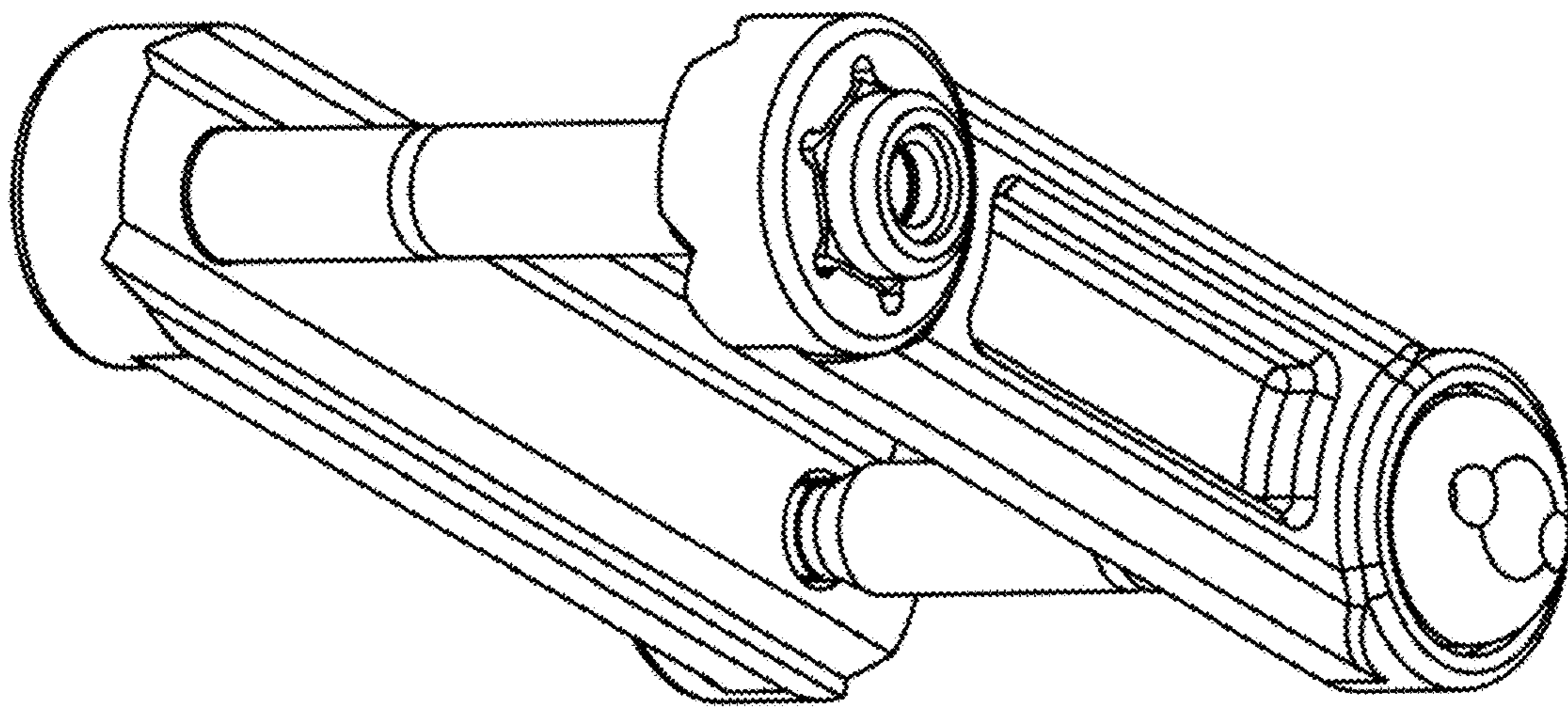


FIG. 8

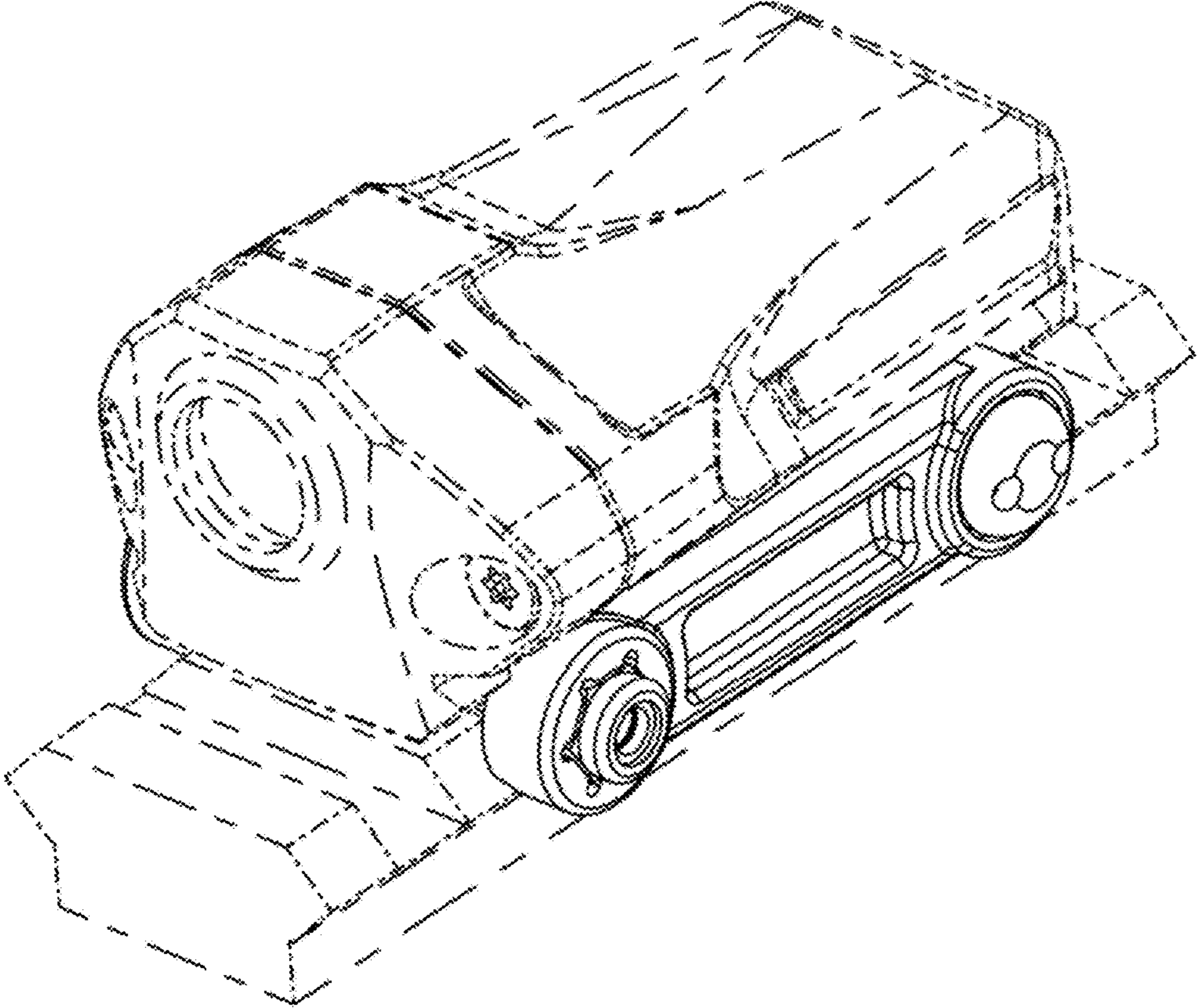


FIG. 9