



US00D862633S

(12) **United States Design Patent**
Tuller et al.

(10) **Patent No.:** **US D862,633 S**

(45) **Date of Patent:** **** Oct. 8, 2019**

(54) **AIM ENHANCING SYSTEM FOR FIREARMS**

(71) Applicant: **LaserMax, Inc.**, Rochester, NY (US)

(72) Inventors: **Jeffrey D. Tuller**, Rochester, NY (US);
Brian L. Olmsted, Spencerport, NY (US)

(73) Assignee: **LMD Power of Light Corp**, Rochester, NY (US)

(**) Term: **15 Years**

(21) Appl. No.: **29/612,128**

(22) Filed: **Jul. 28, 2017**

Related U.S. Application Data

(63) Continuation-in-part of application No. 15/482,165, filed on Apr. 7, 2017, now Pat. No. 10,161,716.

(51) **LOC (12) Cl.** **22-01**

(52) **U.S. Cl.**
USPC **D22/109**

(58) **Field of Classification Search**
USPC D22/108–109
CPC . F41G 1/35; F41G 11/003; F41G 1/00; F41G 1/36; F41G 1/34; F41G 3/26
See application file for complete search history.

(56) **References Cited**

U.S. PATENT DOCUMENTS

D729,339 S *	5/2015	Chavez	D22/109
D738,455 S *	9/2015	Homem de Mello Anderson	D22/109
D746,405 S *	12/2015	Nemeyer	D22/109
D749,689 S *	2/2016	Cheng	D22/109
D757,886 S *	5/2016	Cheng	D22/109
D762,806 S *	8/2016	Chavez	D22/109
D763,399 S *	8/2016	Anderson	D22/109

D776,783 S *	1/2017	St. Phillips	D22/108
D781,983 S *	3/2017	Wells	D22/108
9,658,031 B1 *	5/2017	Hedeen	F41G 1/35
D826,363 S *	8/2018	Kowalczyk, Jr.	D22/109
2011/0162251 A1 *	7/2011	Houde-Walter	F41G 1/35 42/146
2015/0276352 A1 *	10/2015	Chang	F41G 11/003 42/114

* cited by examiner

Primary Examiner — Michael A. Pratt

(74) *Attorney, Agent, or Firm* — Lee & Hayes, P.C.

(57) **CLAIM**

The ornamental design for an aim enhancing system for firearms, as shown and described.

DESCRIPTION

FIG. 1 is a right side perspective view of an aim enhancing system for firearms.

FIG. 2 is a left side perspective view of the aim enhancing system for firearms of FIG. 1.

FIG. 3 is a front elevation view of the aim enhancing system for firearms of FIG. 1.

FIG. 4 is a back elevation view of the aim enhancing system for firearms of FIG. 1.

FIG. 5 is a top side view of the aim enhancing system for firearms of FIG. 1.

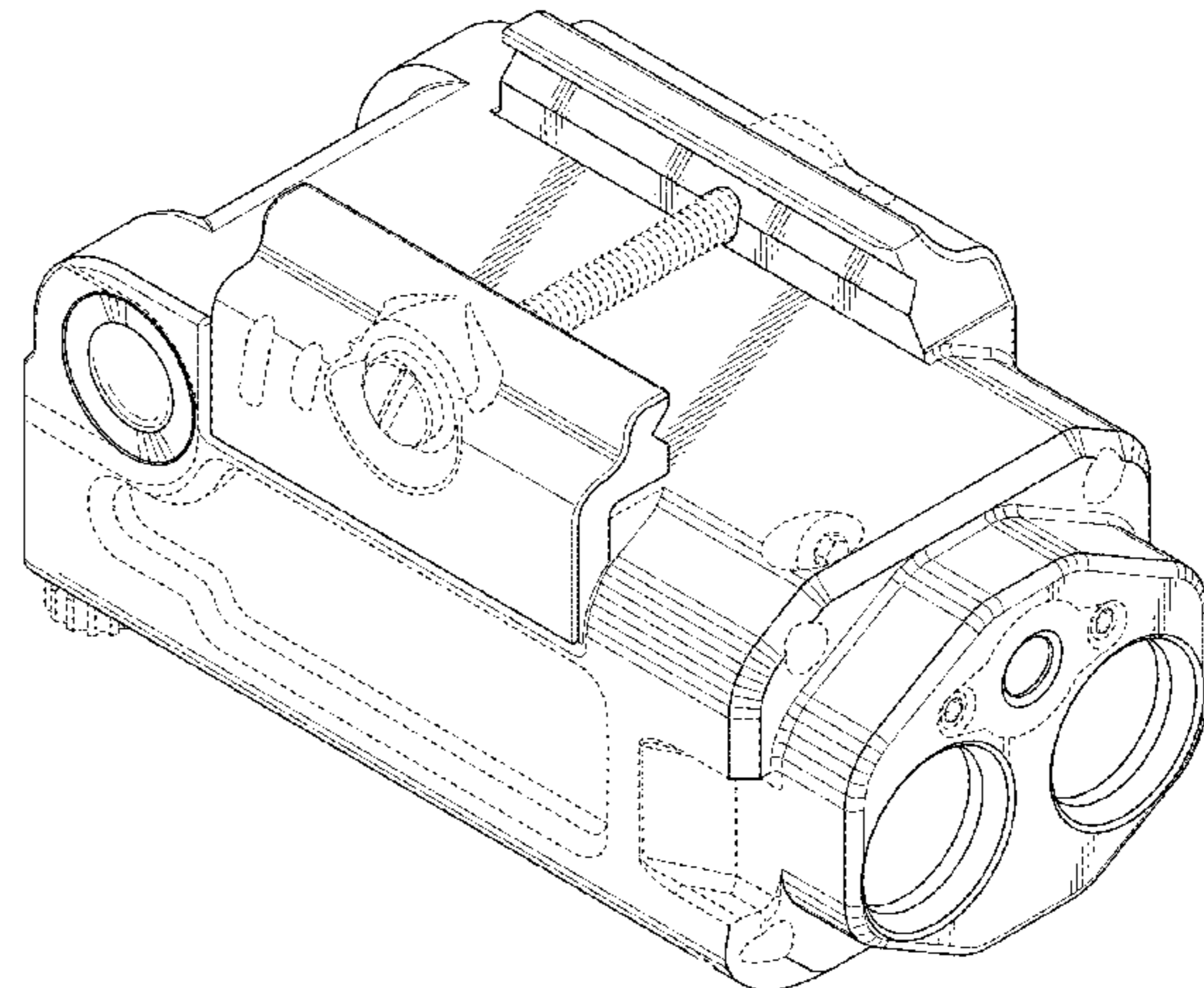
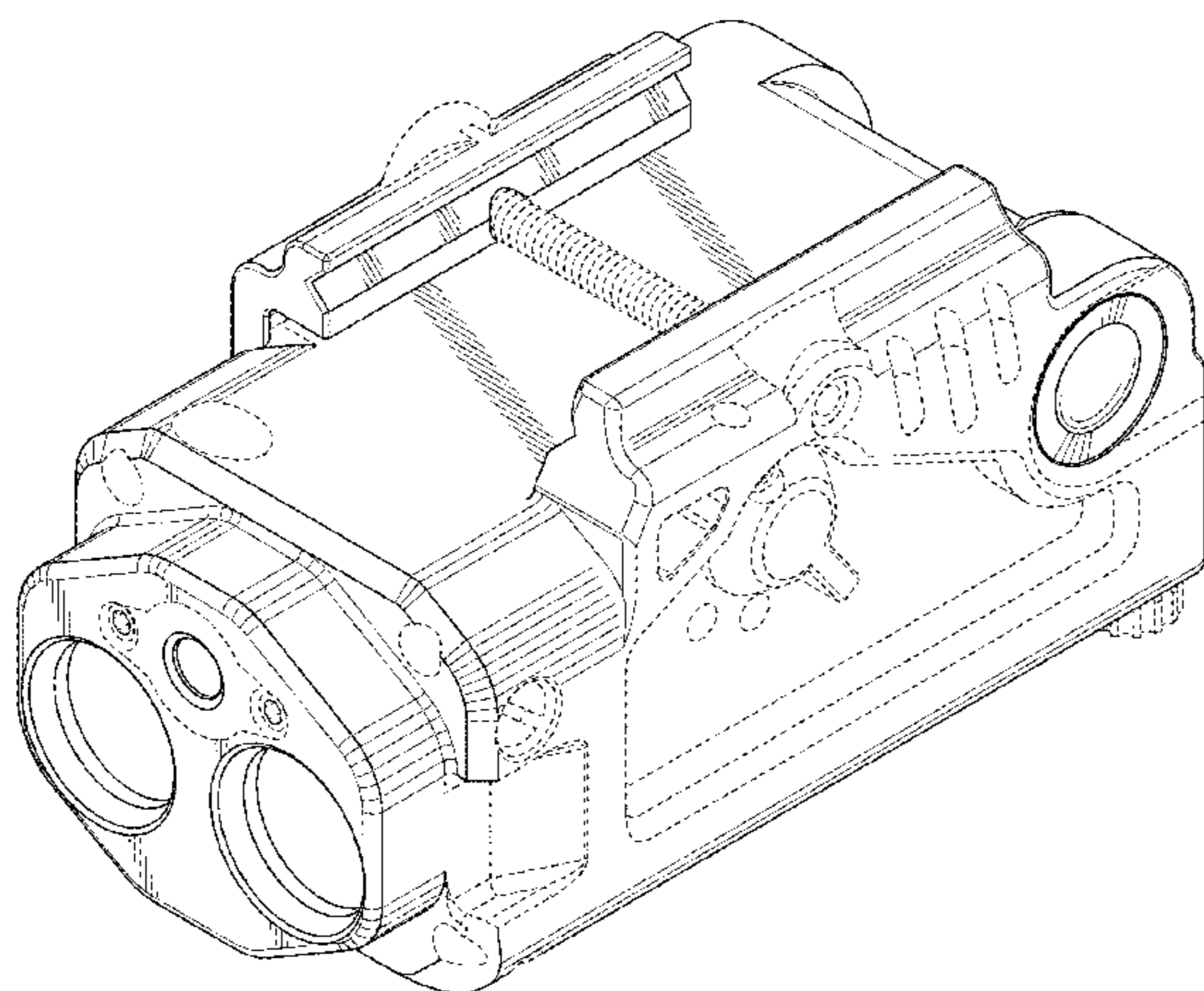
FIG. 6 is a bottom side view of the aim enhancing system for firearms of FIG. 1.

FIG. 7 is a right side view of the aim enhancing system for firearms of FIG. 1; and,

FIG. 8 is a left side view of the aim enhancing system for firearms of FIG. 1.

The broken lines form no part of the claimed design. The claimed design extends to the broken line boundaries but does not include the boundaries or the areas within the boundaries.

1 Claim, 6 Drawing Sheets



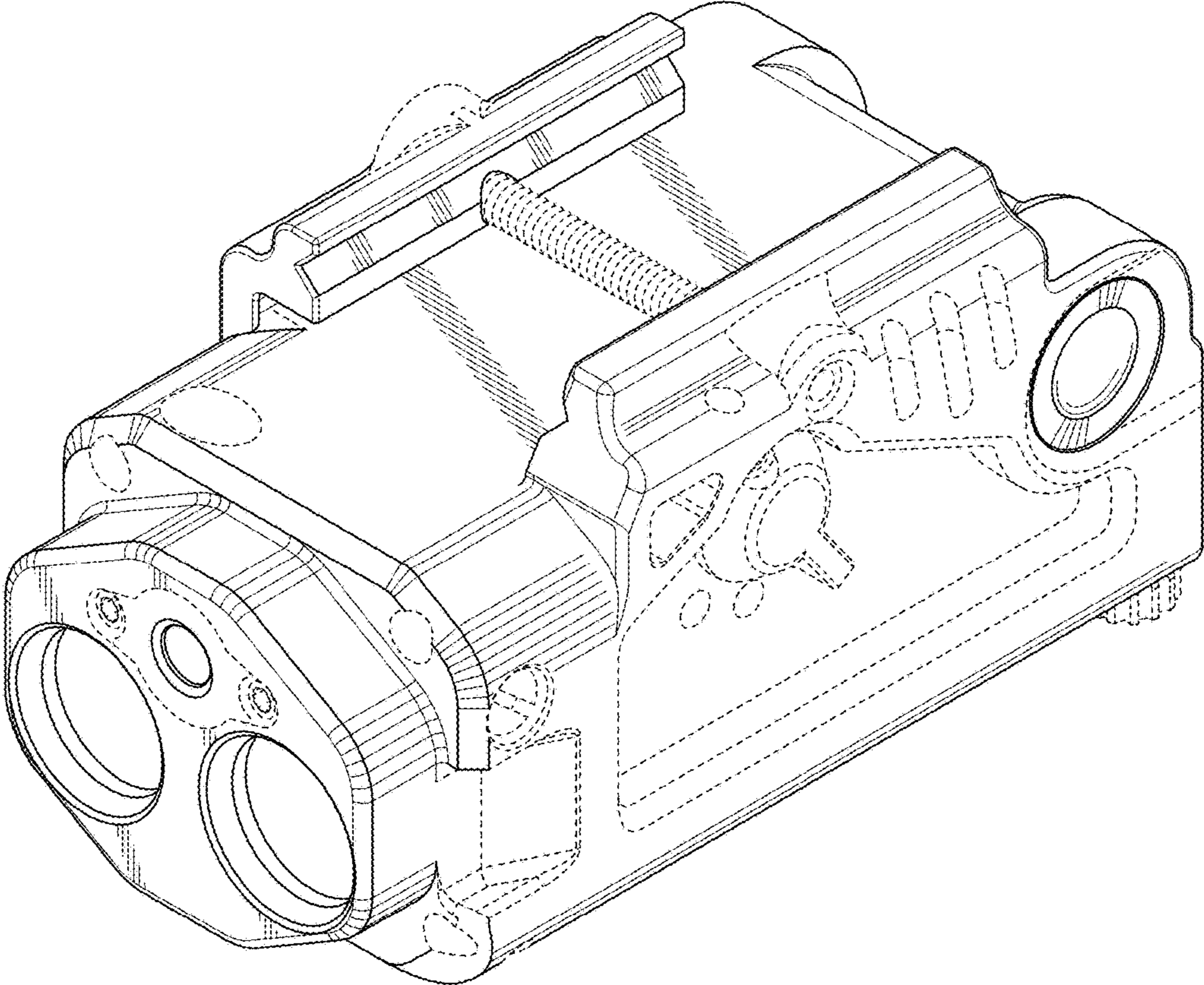


FIG. 1

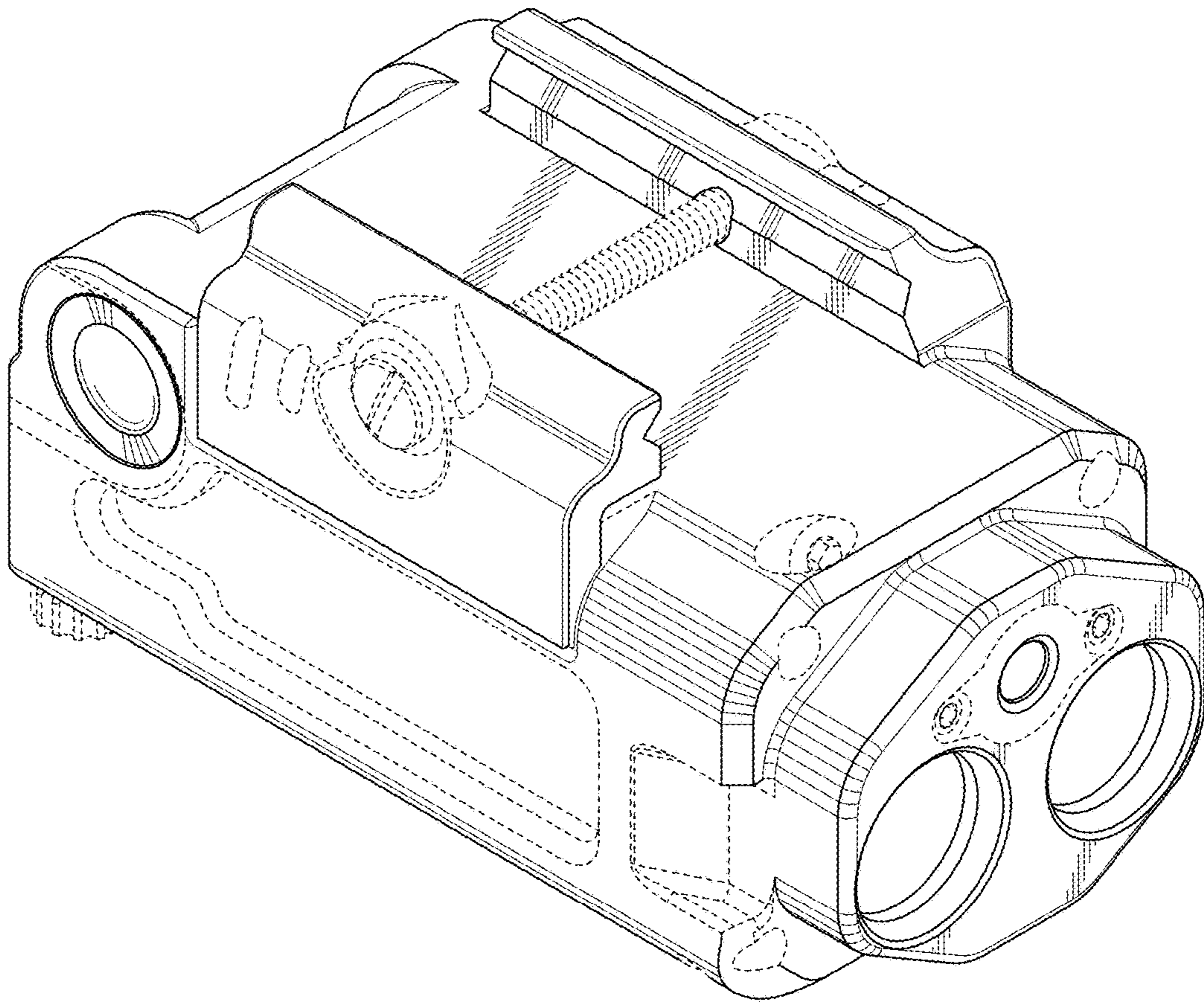


FIG. 2

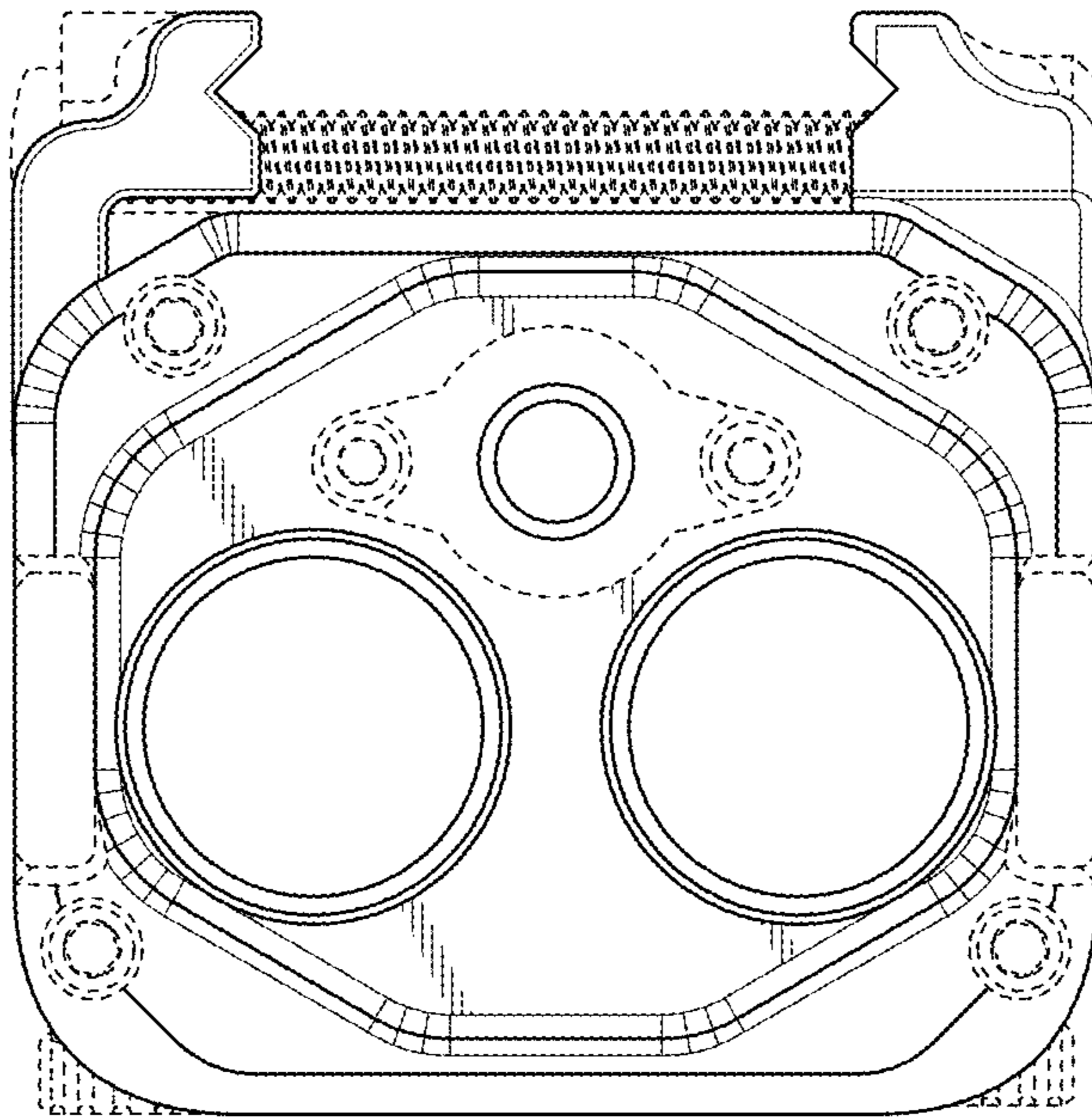


FIG. 3

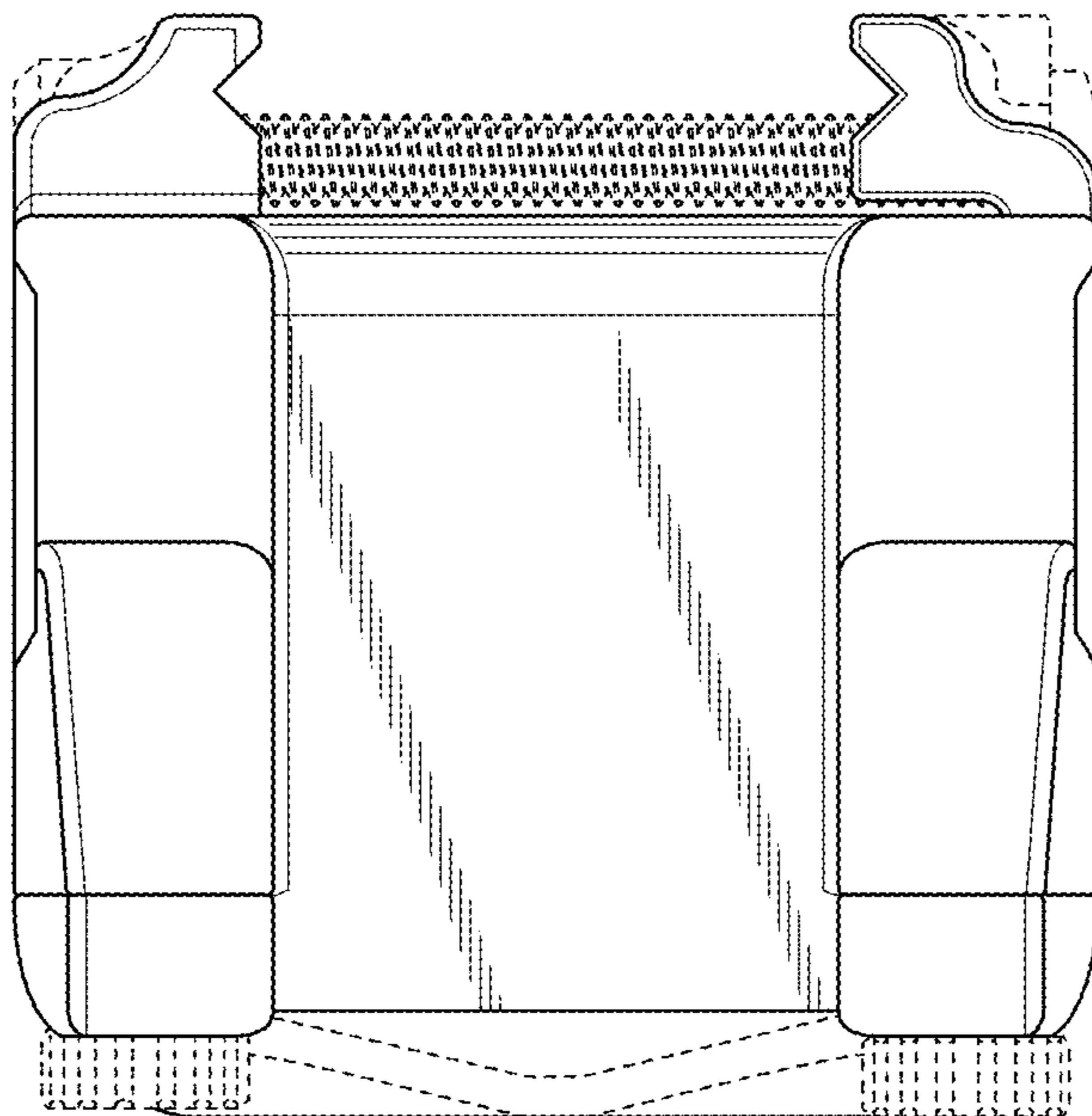


FIG. 4

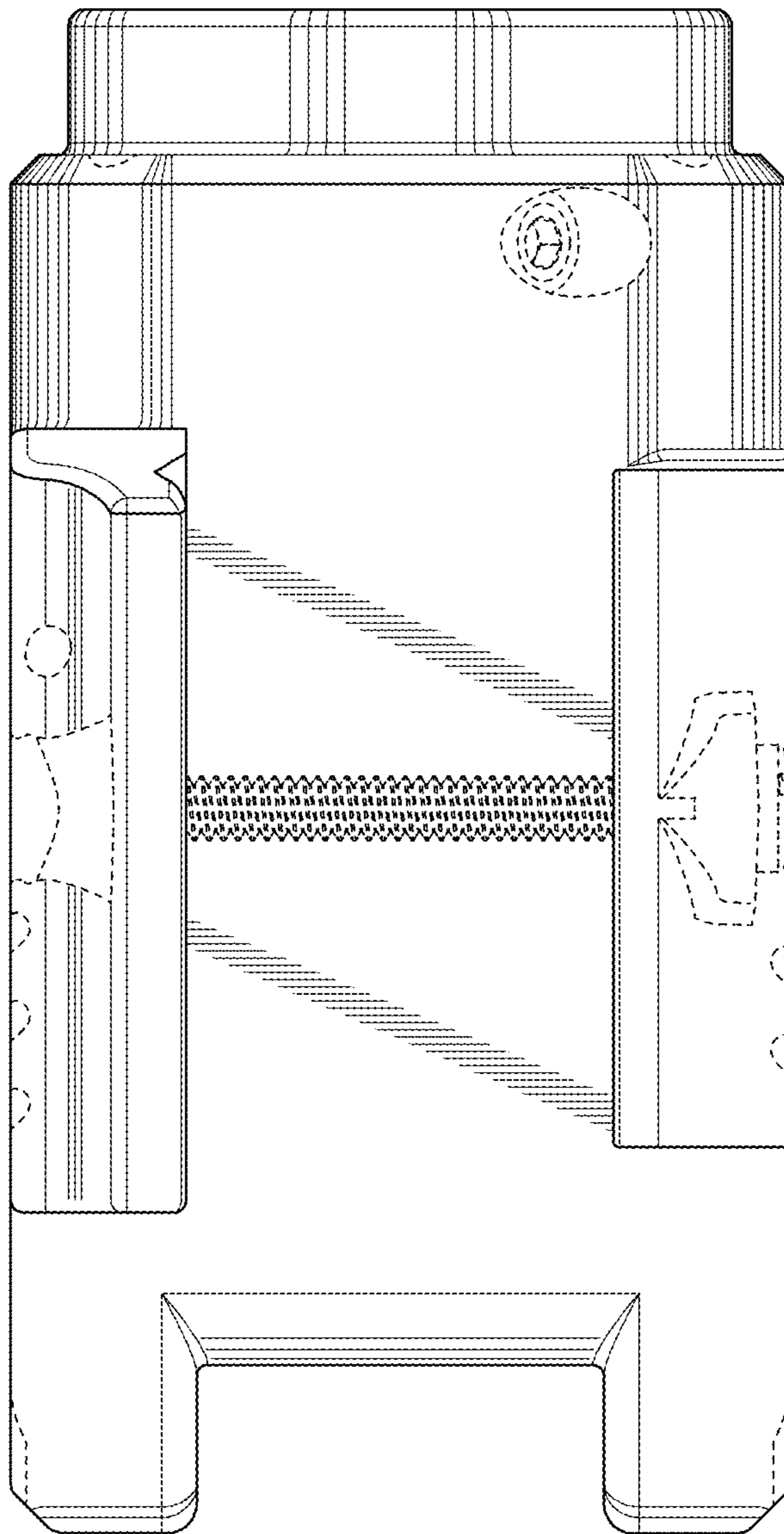


FIG. 5

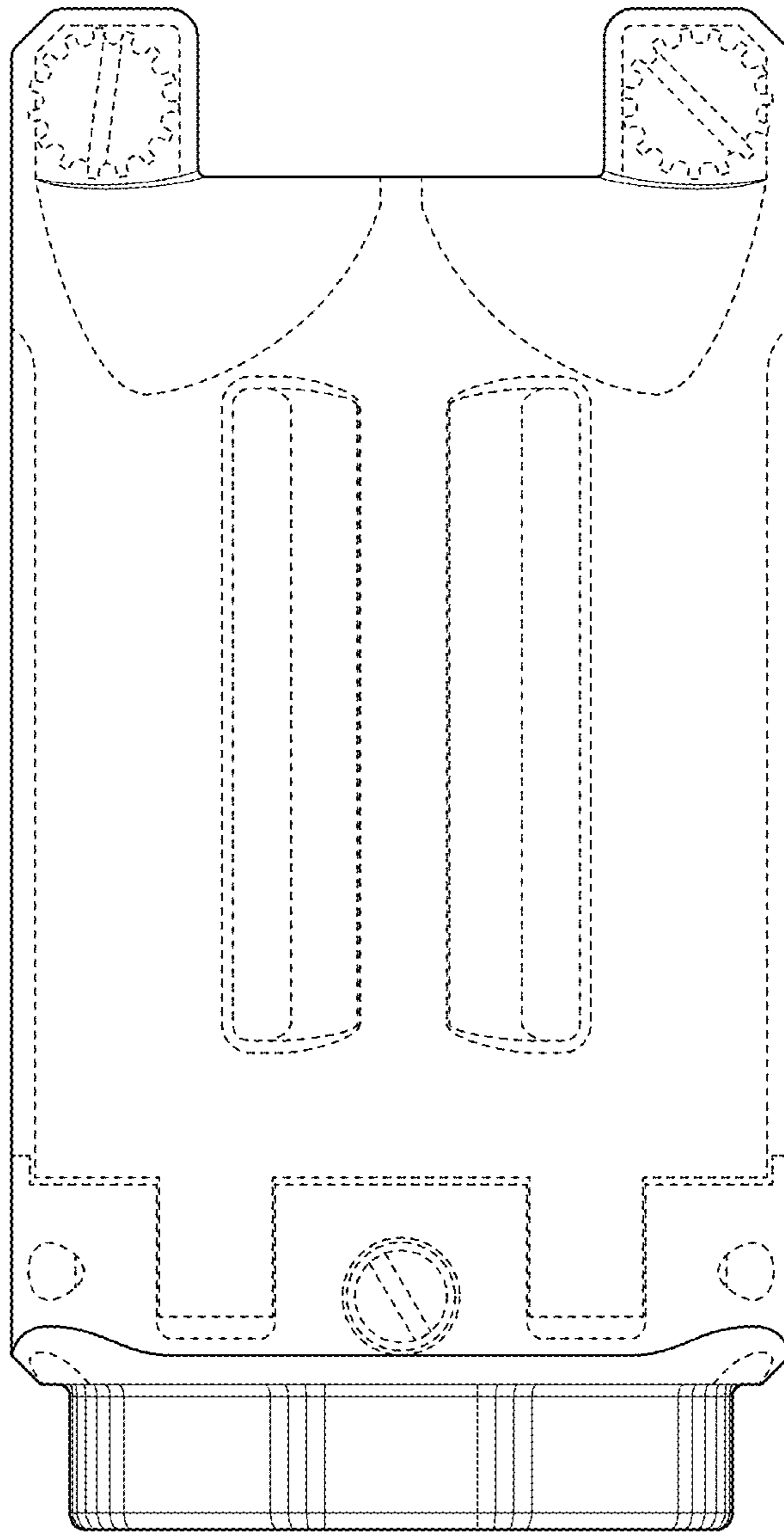


FIG. 6

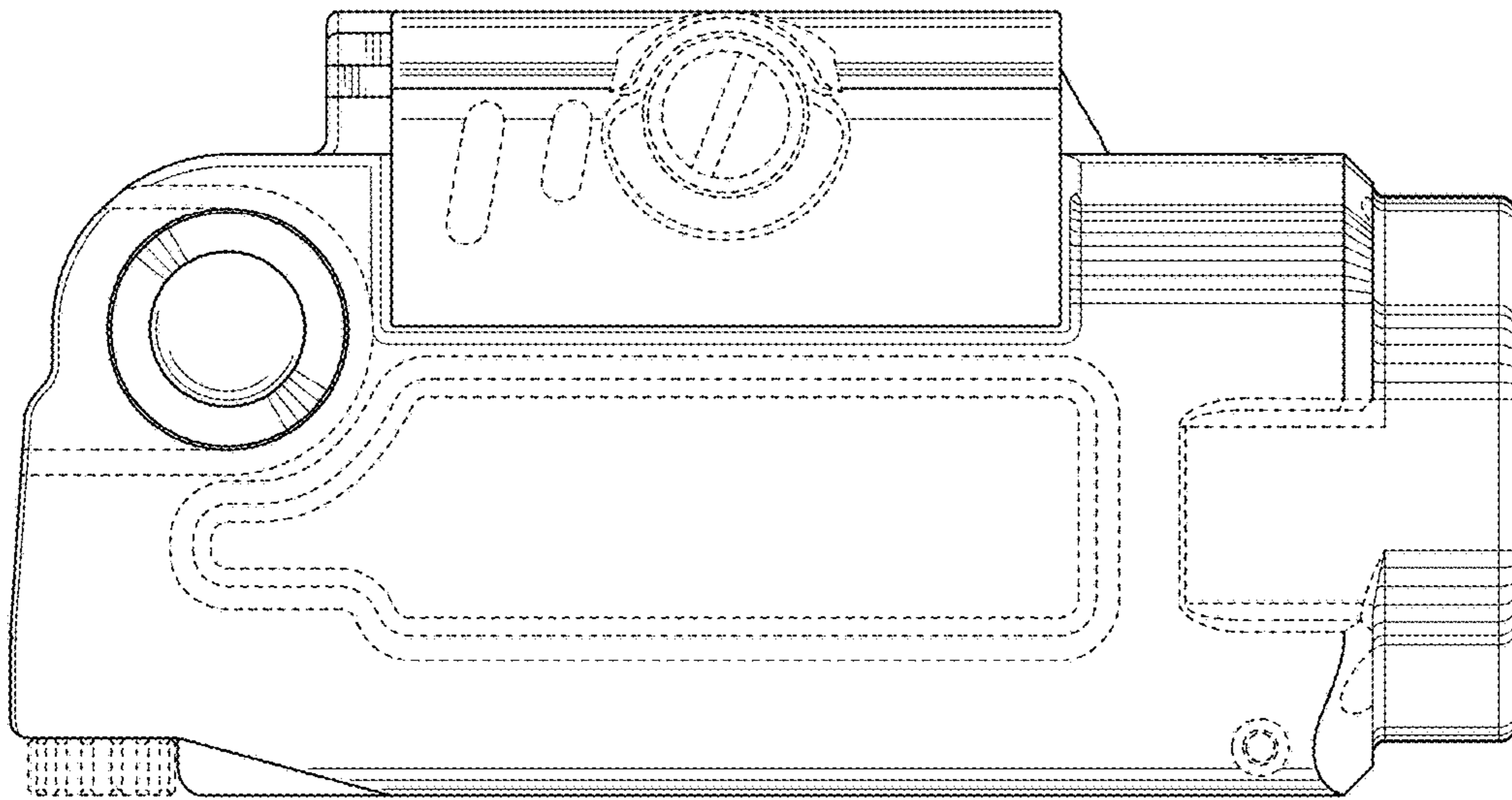


FIG. 7

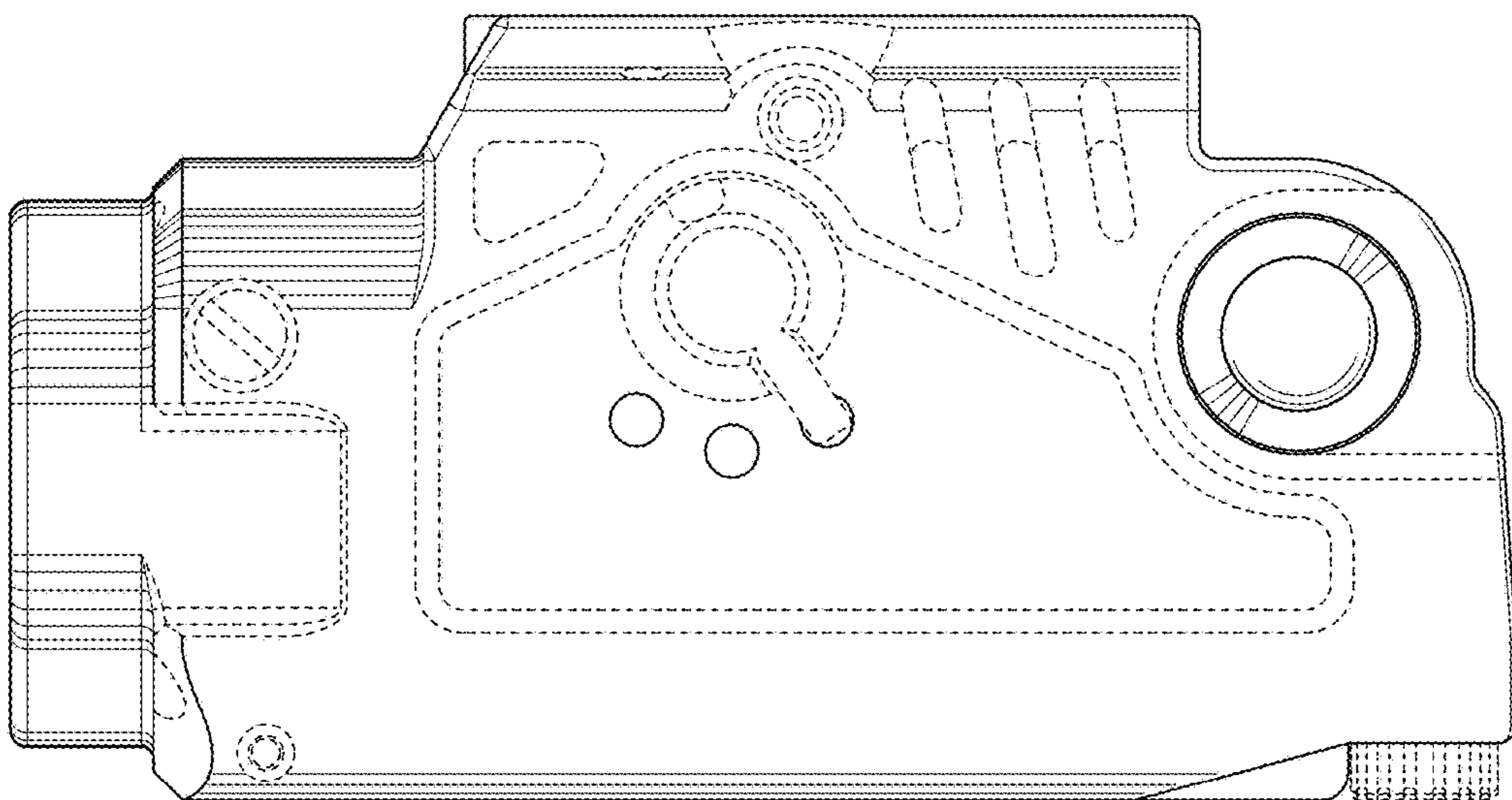


FIG. 8